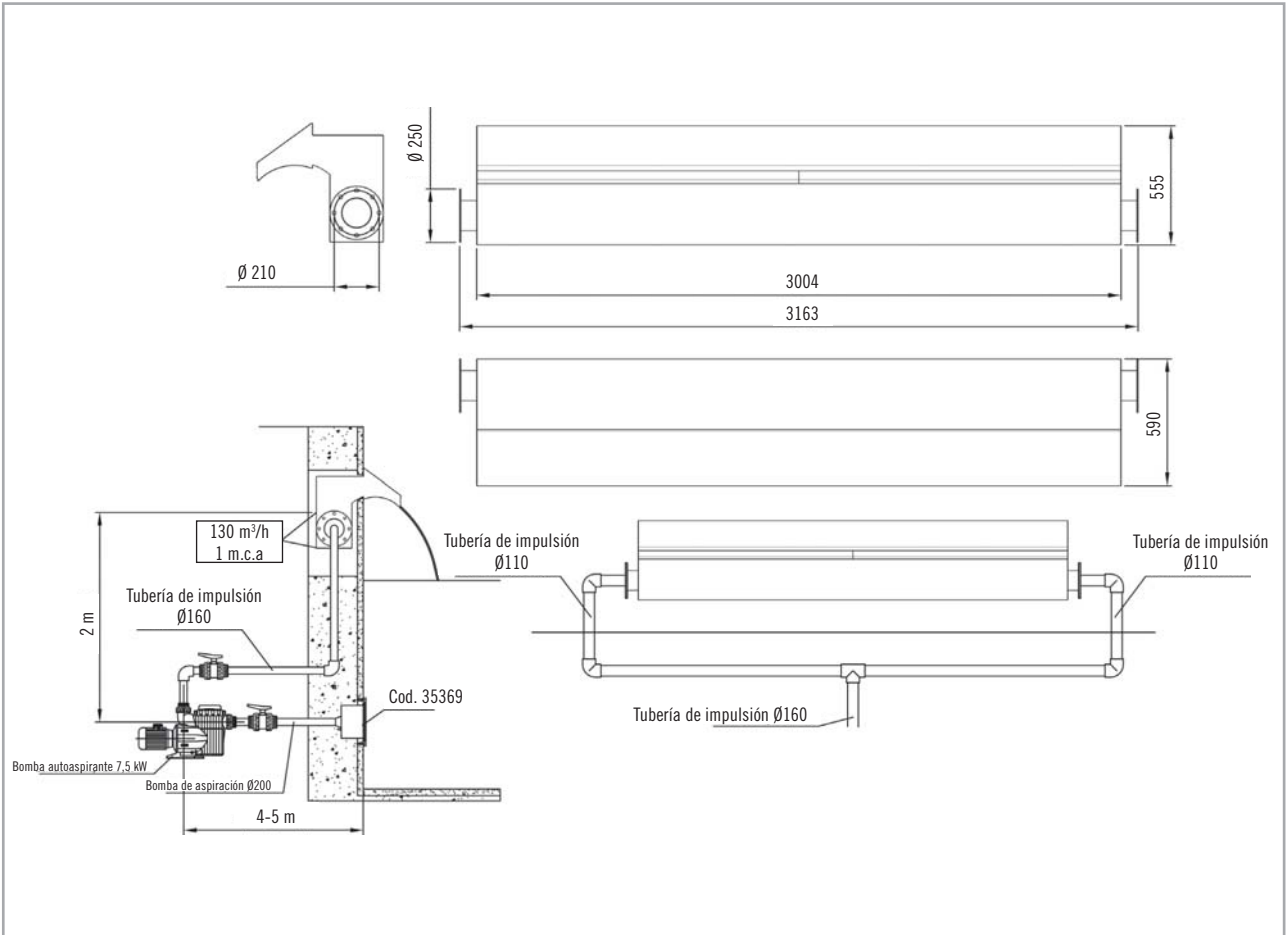


34035



2.1.1.

Cascada de pared - Wall-mounted cascade

34036

