
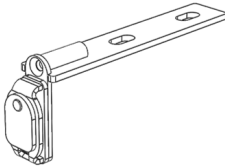

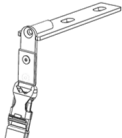
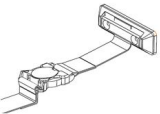
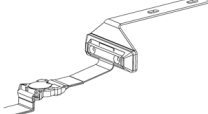


<input type="checkbox"/> Order	<input type="checkbox"/> Quote	Reference :	Date :
<b>Bill to :</b>		<b>Ship to :</b>	
		Name : _____	
		Address : _____	
		City : _____	
		Zip code : _____	
		Phone : _____	
		Contact name (for delivery appointment) : _____	
		Contact phone (for delivery appointment) : _____	

<b>Transport</b>	<input type="checkbox"/> No	<input type="checkbox"/> Yes (please complete below delivery instructions)
<input type="checkbox"/> 38 T*	<input type="checkbox"/> Small truck*	<input type="checkbox"/> Forklift <input type="checkbox"/> Pick up

\* Unloading not included. Unloading to be planned by your care.

<b>Roller model</b>	
<input type="checkbox"/> Roussillon II with motor in dry pit	<input type="checkbox"/> Ceret with motor at water level
<input type="checkbox"/> Conflent with motor inside shaft fixed under coping stones	<input type="checkbox"/> Conflent with motor inside shaft fixed on wall

<b>Safety system</b>	
<input type="checkbox"/> Stainless safety system to be fixed on wall (water height of 7 cm min)	<input type="checkbox"/> Stainless safety system to be fixed under coping stones (water height between 7 cm and 16 cm)
	
<input type="checkbox"/> Loop safety system to be fixed on wall (water height of 7 cm min)	<input type="checkbox"/> Loop safety system to be fixed under coping stones (water height between 9 cm and 16 cm)
	
<input type="checkbox"/> ABS brackets to be fixed on wall	<input type="checkbox"/> ABS brackets to be fixed under coping stones
	
<input type="checkbox"/> Without bracket (The cover won't be conform to french norms)	

<b>Slats color</b>		
<input type="checkbox"/> White	<input type="checkbox"/> Blue	<input type="checkbox"/> Polycarbonate solar blue
<input type="checkbox"/> Grey	<input type="checkbox"/> Sand	<input type="checkbox"/> Polycarbonate transparent blue (until the end of stock)
<input type="checkbox"/> Polycarbonate grey		

Customer stamp	Good for agreement
----------------	--------------------

<input type="checkbox"/> Order	<input type="checkbox"/> Quote	Reference :	Date :
--------------------------------	--------------------------------	-------------	--------

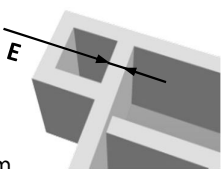
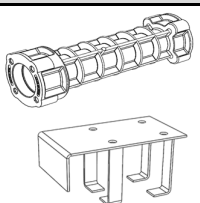
**Wall conduit**

Type:  Shaft kit (embedding parts for shaft only)  Complete kit (embedding parts for shaft + beam)

Wall conduit :  Already settled  To provide

Wall thickness : E =  cm

Please advise wall conduit model :  110 mm  210 mm  310 mm





**Partition wall and support**  Yes  No

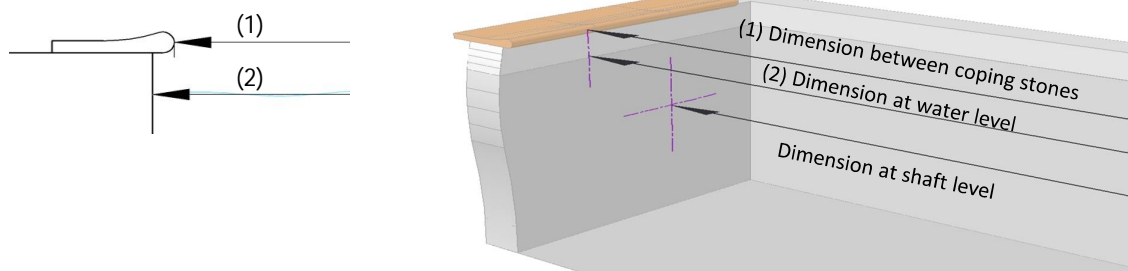
Color :  White  Sand  Grey

Fixation :  To be fixed under beam support  To be fixed on wall

Pool depth at partition wall level : H =

 **Warning : If the bottom of the pool at partition wall level is not plane, please provide a drawing**

**Pit width**





Dimension between coping stones (1) :



Dimension at water level (2) :



Dimension at shaft level :

**Beam**  Yes  No

Color :  White  Sand  Grey

Height :  110 mm   70 mm\* 

Beam support :   For new pool (for beam 110 mm only)   Adjustable

  For pool with vertical HUNG (for beam 110 mm only)   To be fixed on wall

**Anti-flexion support**  Yes  No

Dimension:  615mm<Dim.<1015mm  1016mm<Dim.<1460mm

Fixation:  Under coping stones  On wall

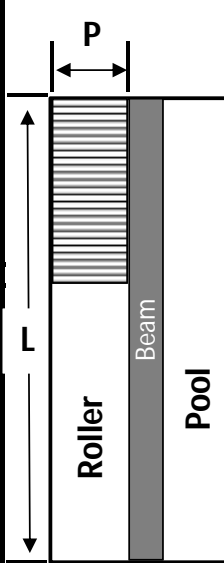
The number of needed supports will be automatically provided with beam ordered.

If you wish to order another quantity of support, please mention below the ordered quantity.

Number of anti-flexion support :

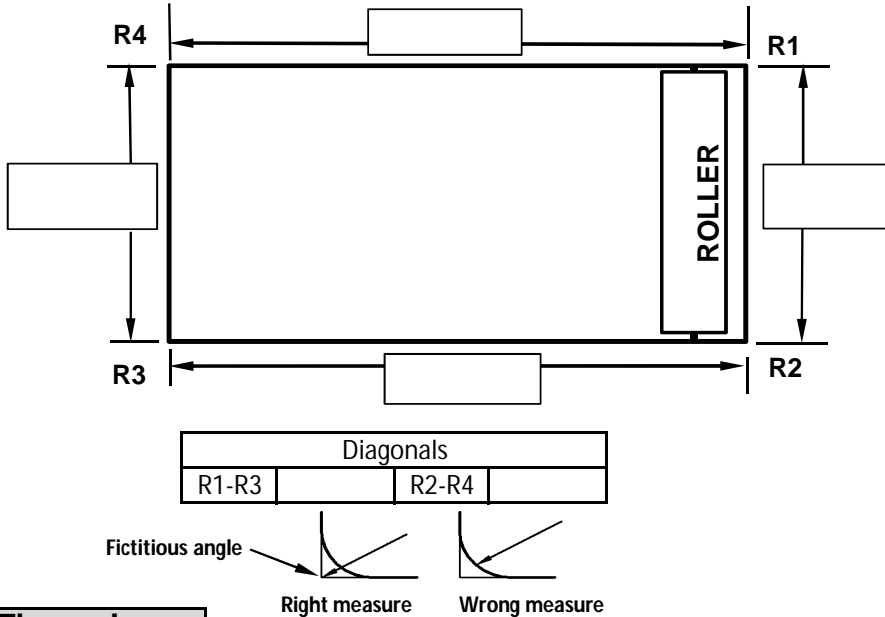
<input type="checkbox"/> Order	<input type="checkbox"/> Quote	Reference :	Date :
--------------------------------	--------------------------------	-------------	--------

<b>Pit covers</b> <input type="checkbox"/> Yes <input type="checkbox"/> No	
<b>EXOTIC WOOD PIT COVER</b>	<input type="checkbox"/> Standard 700(P)x500 mm    L = Width to cover (in m) = <input type="text"/> <input type="checkbox"/> Standard 950 (P)x500mm <input type="checkbox"/> Customized :    P = Pit cover depth (in m) = <input type="text"/> <input type="checkbox"/> Customized :    L = Width to cover (in m) = <input type="text"/> <input type="checkbox"/> We deliver the exact width to cover ordered
<b>ALUMINIUM PIT COVER</b>	<input type="checkbox"/> White <input type="checkbox"/> Grey <input type="checkbox"/> Sand <input type="checkbox"/> Standard 700(P)x1000mm    L = Width to cover (in m) = <input type="text"/> <input type="checkbox"/> Standard 950(P)x1000mm <input type="checkbox"/> Customized :    P = Pit cover depth (in m) = <input type="text"/> <input type="checkbox"/> Customized :    L = Width to cover (in m) = <input type="text"/> <input type="checkbox"/> Standard alu pit covers delivered by units of 1000 mm wide. Delivered pit cover width ≥ Width to cover => The cut of the pit cover will have to be made by the end user.



**Pool dimensions**

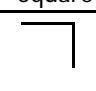
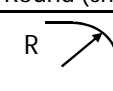
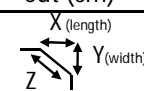
The dimensions have to be given in meter at water level



The widths have to be taken each meter at water level, starting from the roller (in m):

at 1 m from width R1-R2	
at 2 m from width R1-R2	
at 3 m from width R1-R2	
at 4 m from width R1-R2	
at 5 m from width R1-R2	
at 6 m from width R1-R2	
at 7 m from width R1-R2	
at 8 m from width R1-R2	
at 9 m from width R1-R2	
at 10 m from width R1-R2	
at 11 m from width R1-R2	
at 12 m from width R1-R2	
at 13 m from width R1-R2	
at 14 m from width R1-R2	
at 15 m from width R1-R2	
at 16 m from width R1-R2	
at 17 m from width R1-R2	
at 18 m from width R1-R2	
at 19 m from width R1-R2	
at 20 m from width R1-R2	

**The angles**

	Square	Round (cm)	Cut (cm)		
Angles					
		R	X	Y	Z
R1	<input type="checkbox"/>				
R2	<input type="checkbox"/>				
R3	<input type="checkbox"/>				
R4	<input type="checkbox"/>				

<input type="checkbox"/> Order	<input type="checkbox"/> Quote	Reference :	Date :
--------------------------------	--------------------------------	-------------	--------

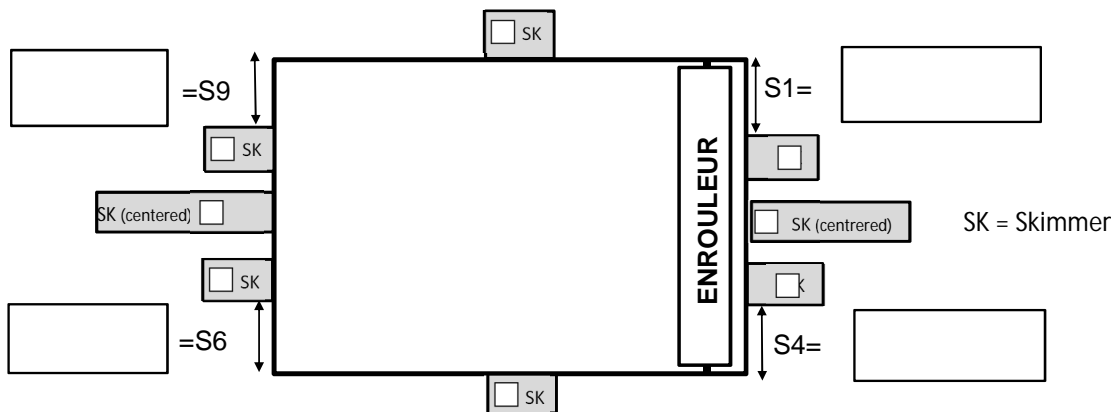
**Position of the skimmers**

1) Type of skimmer :  Vertical to the wall  Protruding of  cm

2) Check on below drawing the position of the skimmers on the pool

3) If the skimmers are on the width, please mention dimensions S1, S4 or S9, S6

No skimmer (please mention filtration system and provide a drawing)

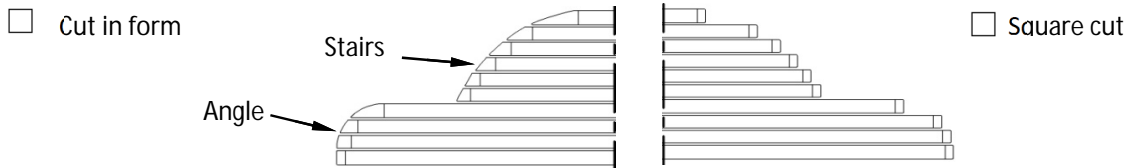


**Overflow**  No  Yes (provide its position below)

All around the pool  On the length  On the width

Please provide a drawing with the dimensions of the overflow (The cover won't be conform to french norms)

**Cut for stairs and/or angles**  No  Yes (please mention type of cut below)



**Options**  Yes  No

Roller keyswitch :  Embedded keyswitch  Wireless remote with receiver  Wireless keyswitch with receiver



Pit cover square 2,5m + accessories :  Yes  No



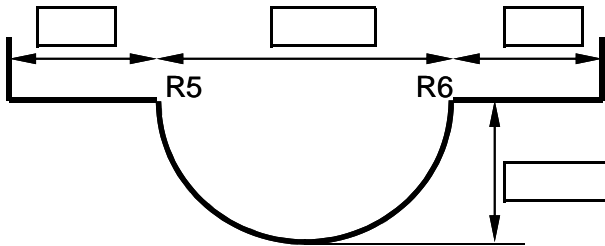
**Remarks / Additional parts to order :**

<input type="checkbox"/> Order	<input type="checkbox"/> Quote	Reference :	Date :
--------------------------------	--------------------------------	-------------	--------


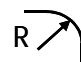
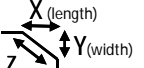
**Stairs**


**Roman stairs (constant radius)**

The dimensions (measured at water level).



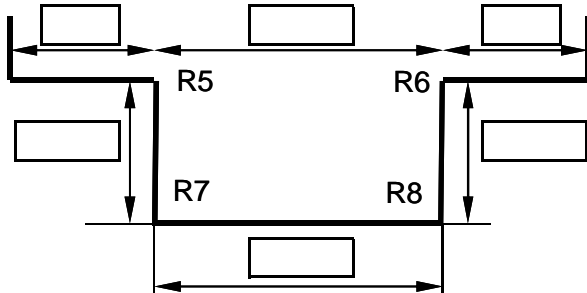
**The angles**

	Square	Round (cm)	Cut (cm)		
					
Angles		R	X	Y	Z
R5	<input type="checkbox"/>				
R6	<input type="checkbox"/>				


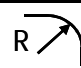
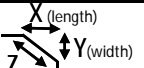
 **Warning : if the stairs are not circle or not constant, please provide a template.**

**Straight stairs**

The dimensions (measured at water level).

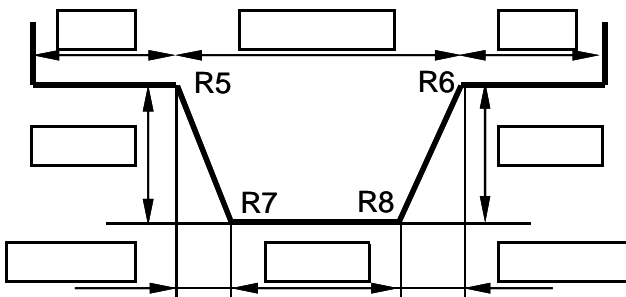


**The angles**


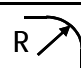
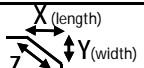
	Square	Round (cm)	Cut (cm)		
					
Angles		R	X	Y	Z
R5	<input type="checkbox"/>				
R6	<input type="checkbox"/>				
R7	<input type="checkbox"/>				
R8	<input type="checkbox"/>				


**Trapezoid stairs**

The dimensions (measured at water level).



**The angles**

	Square	Round (cm)	Cut (cm)		
					
Angles		R	X	Y	Z
R5	<input type="checkbox"/>				
R6	<input type="checkbox"/>				
R7	<input type="checkbox"/>				
R8	<input type="checkbox"/>				

 **Note : If the stairs are not placed as shown above, please provide a drawing with the position of the roller.**