

EA-4H 4" High Output Series Ultraviolet Sanitizer

SPECIFICATIONS

The Ultraviolet Sanitizer Unit shall be a Delta Ultraviolet Corporation Model EA-4H-_____, rated at _____ Volts, 50/60 Hz. The unit shall be equipped with a plug-in ballast assembly and 96 inch (244 cm) long power cord. The unit shall be housed in a 4 inch (10.2 cm) Stainless Steel housing, complete with unions at each end to allow for total disassembly for cleaning and rotation of inlet and outlet unions to facilitate 360° piping installation. PVC Inlet/Outlet unions shall be _____ (inch/cm) socket size. The High Output UV Lamp shall be rated at 9000 hours of continuous use and shall be fully replaceable without requiring special tools. The UV Lamp shall be rated at no less than 30,000 $\mu\text{watts}/\text{sec}/\text{cm}^2$ (Class A drinking water requirement) at EOL and shall bear the EPA Registration number, UL Listing and CE marks on the unit, cartons, and printed literature. The UV unit shall be warranted for one [1] year and shall be accompanied by a printed factory Limited Warranty, Owner's Installation and Operation manual.



Model	Part Number	Amps	Voltage	I/O Size
EA-4H-5	35-08450	0.250	120V/50/60Hz	2 inch
EA-4H-5	35-08460	0.250	120V/50/60Hz	63mm
EA-4H-5	35-08470	0.125	240V/50/60Hz	2 inch
EA-4H-5	35-08471	0.125	240V/50/60Hz	63mm
EA-4H-10	35-08452	0.483	120V/50/60Hz	2 inch
EA-4H-10	35-08462	0.483	120V/50/60Hz	63mm
EA-4H-10	35-08472	0.241	240V/50/60Hz	2 inch
EA-4H-10	35-08473	0.241	240V/50/60Hz	63mm

Model	Part Number	Amps	Voltage	I/O Size
EA-4H-20	35-08454	0.666	120V/50/60Hz	2 inch
EA-4H-20	35-08464	0.666	120V/50/60Hz	63mm
EA-4H-20	35-08474	0.333	240V/50/60Hz	2 inch
EA-4H-20	35-08475	0.333	240V/50/60Hz	63mm
EA-4H-40	35-08456	0.750	120V/50/60Hz	2 inch
EA-4H-40	35-08466	0.750	120V/50/60Hz	63mm
EA-4H-40	35-08476	0.375	240V/50/60Hz	2 inch
EA-4H-40	35-08477	0.375	240V/50/60Hz	63mm

Model	Cord Length	Watts	Bulb Output (EOL)
EA-4H-5	96" (244 cm)	30	30,000 $\mu\text{W}/\text{sec}/\text{cm}^2$
EA-4H-10	96" (244 cm)	58	30,000 $\mu\text{W}/\text{sec}/\text{cm}^2$

Model	Cord Length	Watts	Bulb Output (EOL)
EA-4H-20	96" (244 cm)	80	30,000 $\mu\text{W}/\text{sec}/\text{cm}^2$
EA-4H-40	96" (244 cm)	90	30,000 $\mu\text{W}/\text{sec}/\text{cm}^2$

SPA FLOW CHART

Delta UV EA-4H Series Model	Maximum Flow Rate (GPM)	Maximum Flow Rate (LPM)
EA-4H-5	21	80
EA-4H-10	44	167

Delta UV EA-4H Series Model	Maximum Flow Rate (GPM)	Maximum Flow Rate (LPM)
EA-4H-20	61	231
EA-4H-40	69	1261

Note: Size Spa UV System to match maximum circulating pump flow. Size for full-flow.

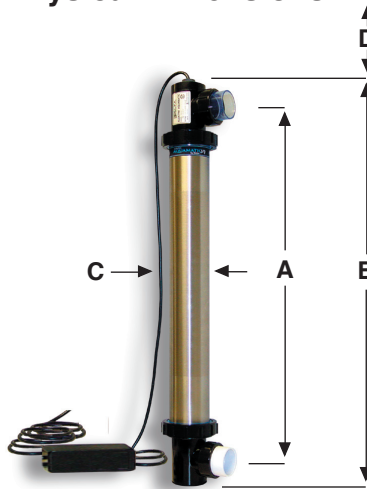
POOL FLOW CHART

Delta UV EA Model	Maximum Flow Rate (GPM)	Maximum Flow Rate (LPM)	Max Pool Volume 12 Hr. Turnover (Gallons)	Max Pool Volume 12 Hr. Turnover (Liters)	Max Pool Volume 8 Hr. Turnover (Gallons)	Max Pool Volume 8 Hr. Turnover (Liters)
EA-4H-5	21	80	15120	57600	10080	38400
EA-4H-10	44	167	31680	120240	21120	80160
EA-4H-20	61	231	43920	166320	29280	110880
EA-4H-40	69	261	49680	187920	33120	125280

POND FLOW CHART

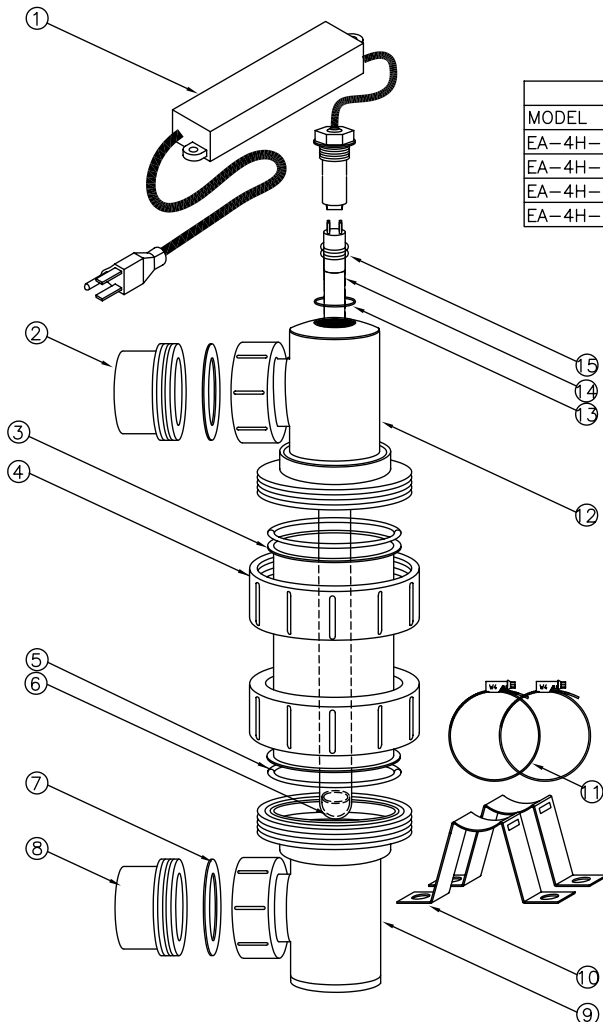
Delta UV EA Model	Maximum Flow Rate (GPM)	Maximum Flow Rate (LPM)	Max Volume 2 Hr. Turnover (Gallons)	Max Volume 2 Hr. Turnover (Liters)	Max Volume 3 Hr. Turnover (Gallons)	Max Volume 3 Hr. Turnover (Liters)
EA-4H-5	21	80	2520	9600	3780	14400
EA-4H-10	44	167	5280	20040	7920	30060
EA-4H-20	61	231	7320	27720	10980	41580
EA-4H-40	69	261	8280	31320	12420	46980

Physical Dimensions



Model	Dim. A	Dim. B	Dim. C	Dim. D	Empty Wt.	Operating Wt.	Shipping Wt.	Carton Size
EA-4H-5	12-5/8 in. 32 cm	17-7/8 in. 45 cm	4 in. 101.6 mm	16 in. 41 cm	5-37/8 lbs 3 kg	9-15/16 lbs 5 kg	7 lbs 3 kg	24-3/4"x6"x8-3/8" 63.0 x 15.3 x 21.3 cm
EA-4H-10	19-5/8 in. 50 cm	24-7/8 in. 63 cm	4 in. 101.6 mm	23 in. 58 cm	7 lbs 4 kg	13-3/8 lbs 6 kg	8-1/2 lbs 5 kg	31-5/8"x6"x8-3/8" 80.3 x 15.3 x 21.3 cm
EA-4H-20	33-3/4 in. 86 cm	39 in. 99 cm	4 in. 101.6 mm	37-1/8 in. 94 cm	10 lbs 4.5 kg	20-1/2 lbs 9 kg	11-1/2 lbs 6 kg	45-7/8"x6"x8-3/8" 116.5 x 15.3 x 21.3 cm
EA-4H-40	40-15/16 in. 104 cm	46 in. 117 cm	4 in. 101.6 mm	44-1/4 in. 113 cm	11 lb 5 kg	24 lbs 11 kg	13 lbs 7 kg	53"x6"x8-3/8" 134.6 x 15.3 x 21.3 cm

All weights and dimensions nominal.



PART NUMBER MATRIX					
MODEL	ITEM #1-120V	ITEM #1-240V	ITEM #3	ITEM #12	ITEM #14
EA-4H-5	70-10127	70-10227	78-07452	58-50406	70-18405
EA-4H-10	70-10127	70-10227	78-07454	58-50411	70-18410
EA-4H-20	70-10128	70-10228	78-07456	58-50421	70-18420
EA-4H-40	70-10128	70-10228	78-07458	58-50441	70-18410

TAIL PIECE MATRIX		
SIZE	ITEM #2	ITEM #8
2" SKT	86-02352C	86-02352
63 mm	86-02403	86-02353

NOTE: OPTIONAL SIZE TAIL PIECES ARE AVAILABLE - CONTACT YOUR SUPPLIER OR DELTA UV FOR INFORMATION

⑤	BULB O'RING	2	44-02221
④	HO UV BULB	1	SEE MATRIX
③	O'RING-024-BLACK	1	44-02216
②	QUARTZ TUBE TEE ASSY-4"	1	SEE MATRIX
①	CLAMP-3" STAINLESS STEEL	2	40-08004
⑩	STAND-STAINLESS STEEL	2	82-02019
⑨	QUARTZ END HOLDER TEE ASSY-4"	1	86-02037
⑧	UNION TAIL PIECE-WHITE	1	SEE MATRIX
⑦	FLAT O'RING GASKET-2"	2	44-02335
⑥	BULB CUSHION	1	44-02019
⑤	O'RING-347-BLACK	2	44-02246
④	UNION-NUT 4"-BLACK	2	86-02364
③	UV BODY-4" STAINLESS STEEL	1	SEE MATRIX
②	UNION TAIL PIECE-CLEAR	1	SEE MATRIX
①	ELECTRONIC BALLAST ASSEMBLY	1	SEE MATRIX
ITEM	DESCRIPTION	QTY	PART #