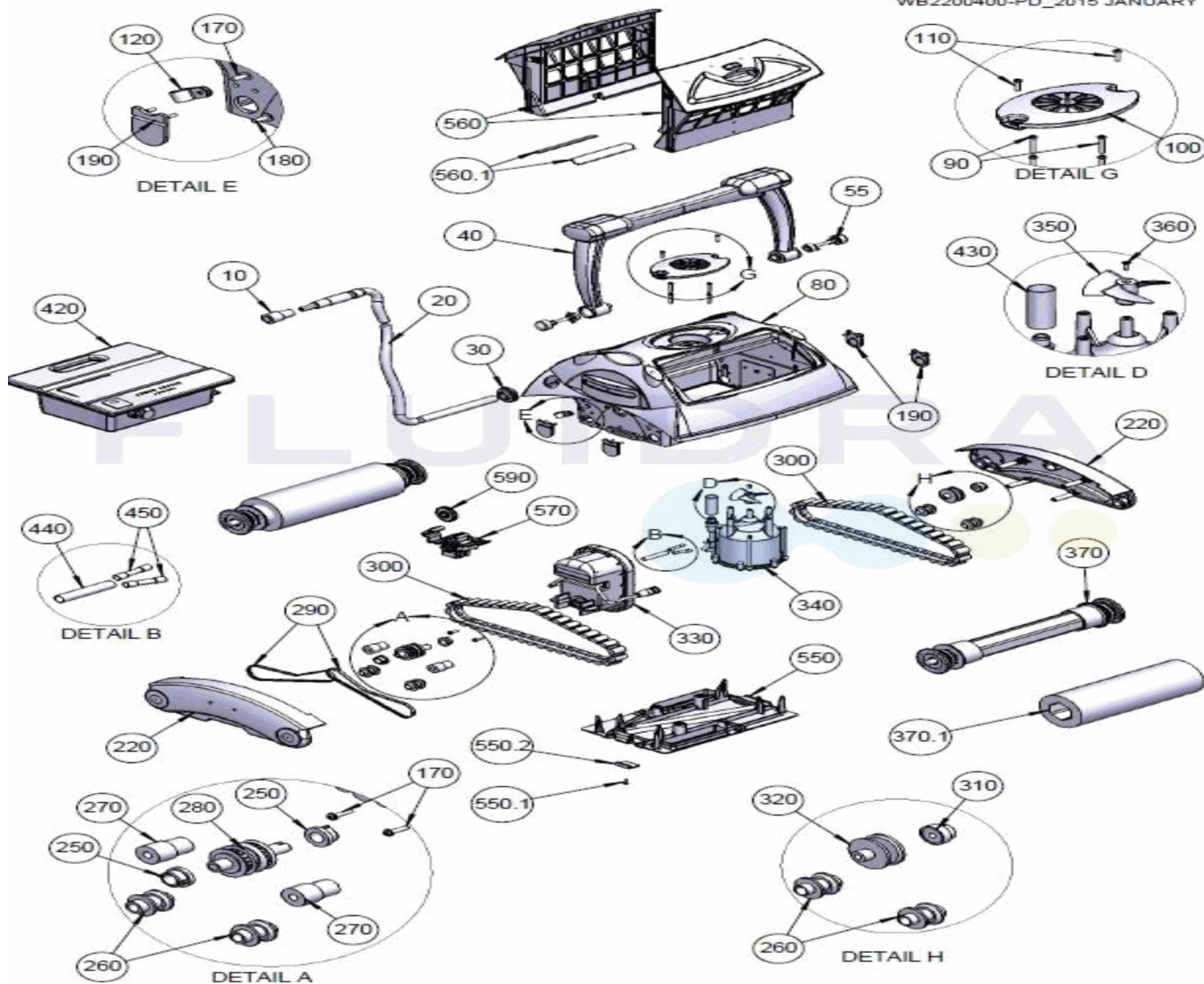


CODIGO **63176**

DESCRIPCION: **LIMPIAFONDOS PULIT ADVANCE 5 PLUS**

WB2200400-PD\_2015 JANUARY



**ESPAÑOL**

POS	CODIGO	DESCRIPCION	POS	CODIGO	DESCRIPCION
10	PL00002M	ENCHUFE 4 TERMINALES	250	2613	RODAMIENTO DE EJES
20	WA00100CGL	CABLE FLOTADOR CG/18M/2C	260	3500	RODILLO PEQUEÑO
30	1623	TUERCA FIJACIÓN CABLE	270	3506	TENSOR CORREAS DE TRACCION
40	AS0361600	CJTO. ASA	280	A3605	CONJUNTO POLEA
55	SK00005DB	PASADOR COMPLETO PARA MANGO	290	3302	CORREA DE TRACCION
80	AS1019970	CJTO. CUERPO	300	3201G	CORREA ORUGA
90	2500	TORNILLO PARA MOTOR BOMBA	310	2610	ARANDELA CENTRAL
100	PP00059OB	TAPA SUPERIOR	320	3700	RODILLO GRANDE
110	5061	TORNILLO DE TAPA SUPERIOR	330	AS08703-SP	MOTOR DE TRACCION
120	HW0006700	SUJECION CABLE	340	AS00035R-SP	MOTOR DE BOMBEO
170	2700	TORNILLO SUPERIOR LATERAL	350	P00038	HELICE
180	2701	TORNILLO INFERIOR LATERAL	360	SW00069	TORNILLO PARA HELICE
190	2305N	VALVULA DE GOMA	370	AS38246CG	RODILLO DE ARRASTRE
220	AS1065500	PLACA LATERAL	370.1	PP03009GY	CEPILLO PVA

**CODIGO 63176**

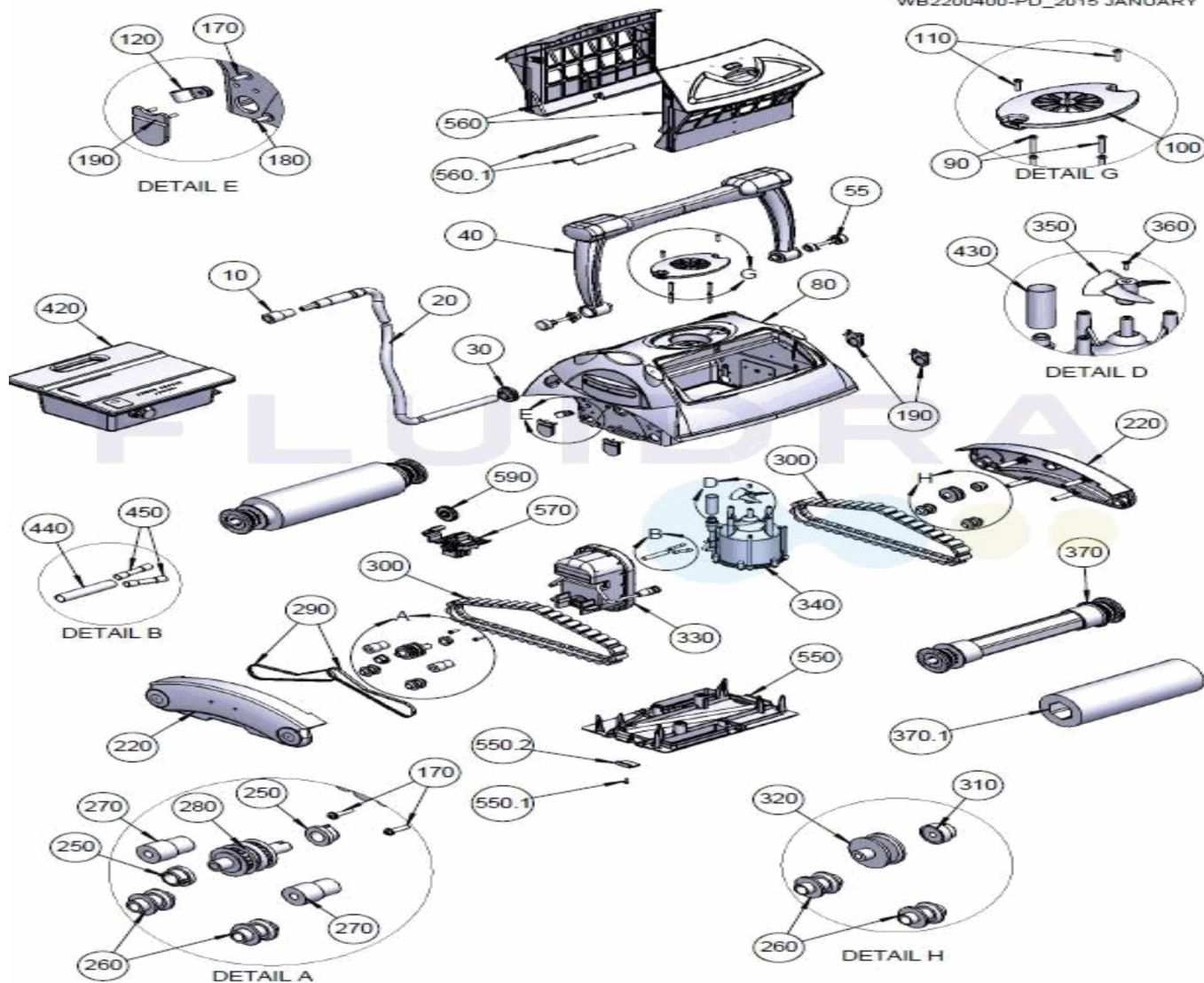
**DESCRIPCION: LIMPIAFONDOS PULIT ADVANCE 5 PLUS**

420	AS2722300-SP	TRANSFORMADOR 180W GRIS	590	PP0070300	RUEDA
430	AS110162506	TUBO RETRACTIL 24/6	N/S	4613	PASADOR CON RANURA
440	AS110011010	TUBO RETRACTIL 16/4 WCSM	N/S	XW3000100	MASILLA ESTANQUEIDAD
450	5473	CONECTOR RETRÁCTIL ROJO	N/S	PP0013900	PROTECTOR CABLE
550	BS1050302	TAPA INFERIOR	N/S	AS1051305	SET FILTRO FINO PULIT (AZUL 2 UNIDADES)
550,1	SW00008	TORNILLO PT KB40X12 S/S 304	N/S	AS1051307	SET FILTRO GRUESO PULIT (AZUL 2 UNIDADES)
550,2	PP0067300	ARANDELA DE SEGURIDAD	N/S	AS1051306	SET FILTRO STANDARD PULIT (AZUL 2 UNID.)
560	AS1051319	FILTRO COMPLETO	N/S	AS1051310	SET FILTRO TELA PULIT (AZUL 2 UNIDADES)
560,1	PP00672IV	FILTRO VALVULA SUPERIOR	N/S	PP0005108	FLOTADOR OVALADO
570	AS1050510	SOPORTE MECANISMO	N/S	XW0100400	REMACHE PLASTICO 28 MM

CODE 63176

DESCRIPTION: NETTOYEUR DE FOND PULIT ADVANCE 5 PLUS

WB2200400-PD\_2015 JANUARY



FRANCAIS

POS	CODE	DESCRIPTION	POS	CODE	DESCRIPTION
10	PL00002M	PRISE À 4 FICHES	250	2613	BAGUE EN MOLYBDÈNE
20	WA00100CGL	CÂBLE FLOTTANT CG/18M/2C	260	3500	PETIT GALET
30	1623	ÉCROU FIXATION CÂBLE	270	3506	MANCHON DE GALET
40	AS0361600	ENS. POIGNÉE	280	A3605	ENSEMBLE POULIE
55	SK00005DB	BROCHE COMPLÈTE POUR MANCHE	290	3302	COURROIE DE TRANSMISSION
80	AS1019970	ENSEMBLE CORPS	300	3201G	CHENILLE
90	2500	VIS 8X1,175 PH PN	310	2610	RONDELLE CENTRALE
100	PP00059OB	SORTIE SUPÉRIEURE	320	3700	GRAND GALET
110	5061	VIS 6-32X5/8 S/S PH PA	330	AS08703-SP	MOTEUR DE TRACTION
120	HW0006700	FIXATION CÂBLE	340	AS00035R-SP	MOTEUR DE LA POMPE
170	2700	VIS 8X11/16 PHIL PN	350	P00038	HÉLICE
180	2701	VIS 8X11/16PHIL PN	360	SW00069	VIS M-3X10 PHIL DIN-965
190	2305N	VALVE CAOUTCHOUTÉE	370	AS38246CG	ROULEAU D'ENTRAÎNEMENT
220	AS1065500	PLAQUE LATÉRALE	370.1	PP03009GY	BROSSE PVA

CODE **63176**

DESCRIPTION: **NETTOYEUR DE FOND PULIT ADVANCE 5 PLUS**

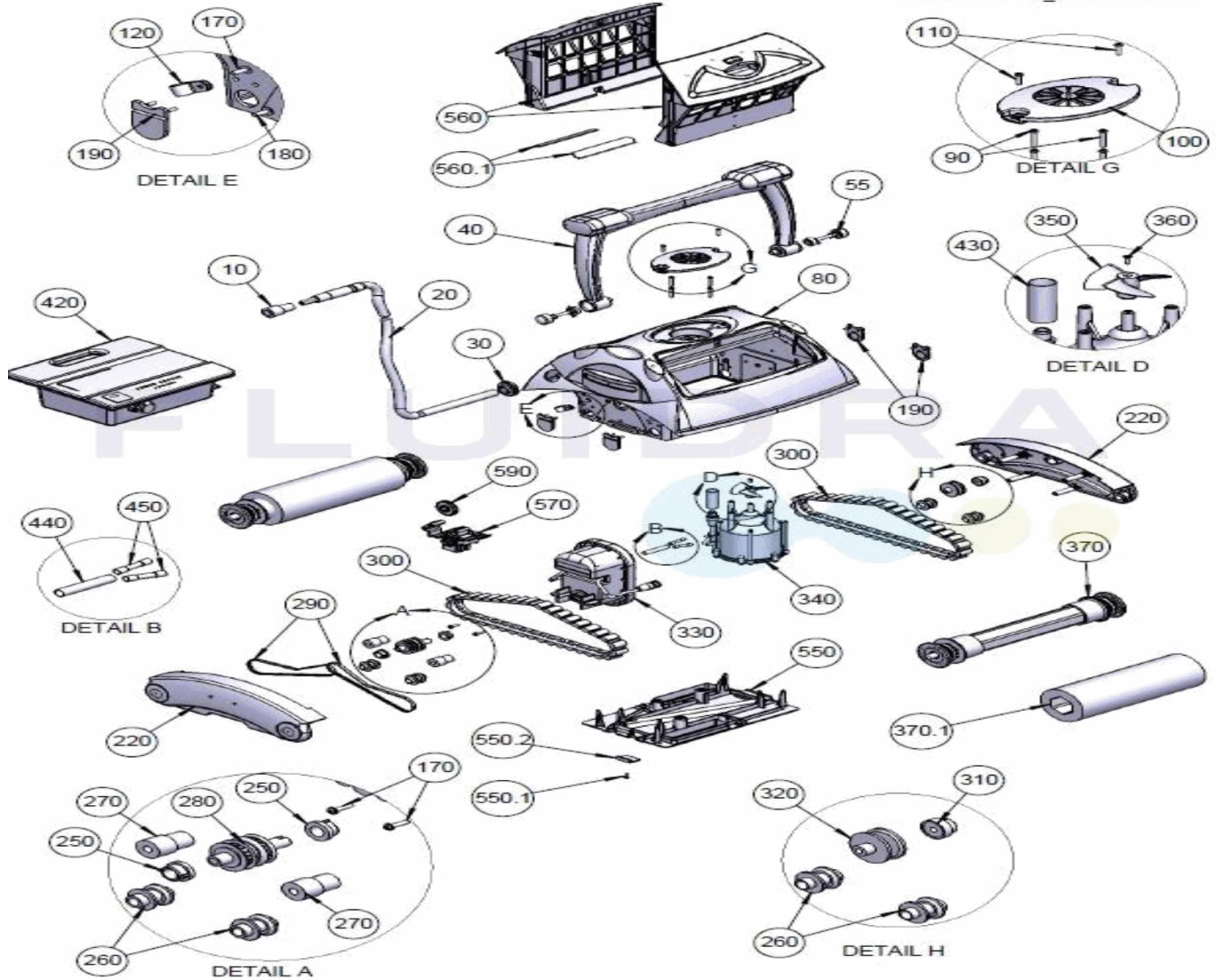
420	AS2722300-SP	TRANSFORMATEUR SMART EU 180W	590	PP0070300	ROUE
430	AS110162506	TUBE RÉTRACTABLE 24/6	N/S	4613	GOUPILLE À RAINURE
440	AS110011010	TUYAU RÉTRACTILE 16/4 WCSM	N/S	XW3000100	MASTIC ÉTANCHÉITÉ
450	5473	CONNECTEUR BOUT À BOUT	N/S	PP0013900	PROTECTEUR CÂBLE
550	BS1050302	COUVERCLE INFÉRIEUR	N/S	AS1051305	ENS. FILTRE FIN PULIT (BLEU 2 UNITÉS)
550,1	SW00008	VIS PT KB40X12 S/S 304	N/S	AS1051307	ENS. FILTRE ÉPAIS PULIT (BLEU 2 UNITÉS)
550,2	PP0067300	RONDELLE DE SURETE	N/S	AS1051306	ENS. FILTRE STANDARD PULIT (BLEU 2 UNIT.)
560	AS1051319	ENSEMBLE DE FILTRAGE SUPÉRIEUR	N/S	AS1051310	ENSEMBLE FILTRE TISSU PULIT (BLEU 2 UNITÉS)
560,1	PP00672IV	FILTRE VANNE SUPÉRIEUR	N/S	PP0005108	FLOTTEUR OVALE
570	AS1050510	SUPPORT MÉCANISME	N/S	XW0100400	RIVET PLASTIQUE 28 MM



CODE **63176**

DESCRIPTION: **POOL CLEANER PULIT ADVANCE 5 PLUS**

WB2200400-PD\_2015 JANUARY



**ENGLISH**

POS	CODE	DESCRIPTION	POS	CODE	DESCRIPTION
10	PL00002M	4 PIN PLUG	250	2613	MOLYBDENUM BUSHING
20	WA00100CGL	FLOAT CABLE CG/18M/2C	260	3500	SMALL ROLLER
30	1623	SEALING GROMMET	270	3506	SLEEVE ROLLER
40	AS0361600	HANDLE ASSY	280	A3605	PULLEY ASSY
55	SK00005DB	PIN ASSY FOR HANDLE	290	3302	DRIVE BELT
80	AS1019970	BODY ASSEMBLY	300	3201G	DRIVE TRACK
90	2500	SCREW 8X1,175 PH PN	310	2610	BUSHING FOR LOWER CASING
100	PP00059OB	OUTLET TOP	320	3700	LARGE ROLLER
110	5061	SCREW 6-32X5/8 S/S PH PA	330	AS08703-SP	SP D.MOTOR M2BR1C320
120	HW0006700	CABLE RETAINER SOPHIA	340	AS00035R-SP	PUMP MOTOR
170	2700	SCREW 8X11/16 PHIL PN	350	P00038	PROPELLER
180	2701	SCREW 8X11/16PHIL PN	360	SW00069	SCRERW M-3X10 PHIL DIN-965
190	2305N	RUBBER VALVE	370	AS38246CG	WHEEL TUBE ASSY.
220	AS1065500	SIDE PLATE, ROUND,	370.1	PP03009GY	PVA BRUSH

CODE **63176**

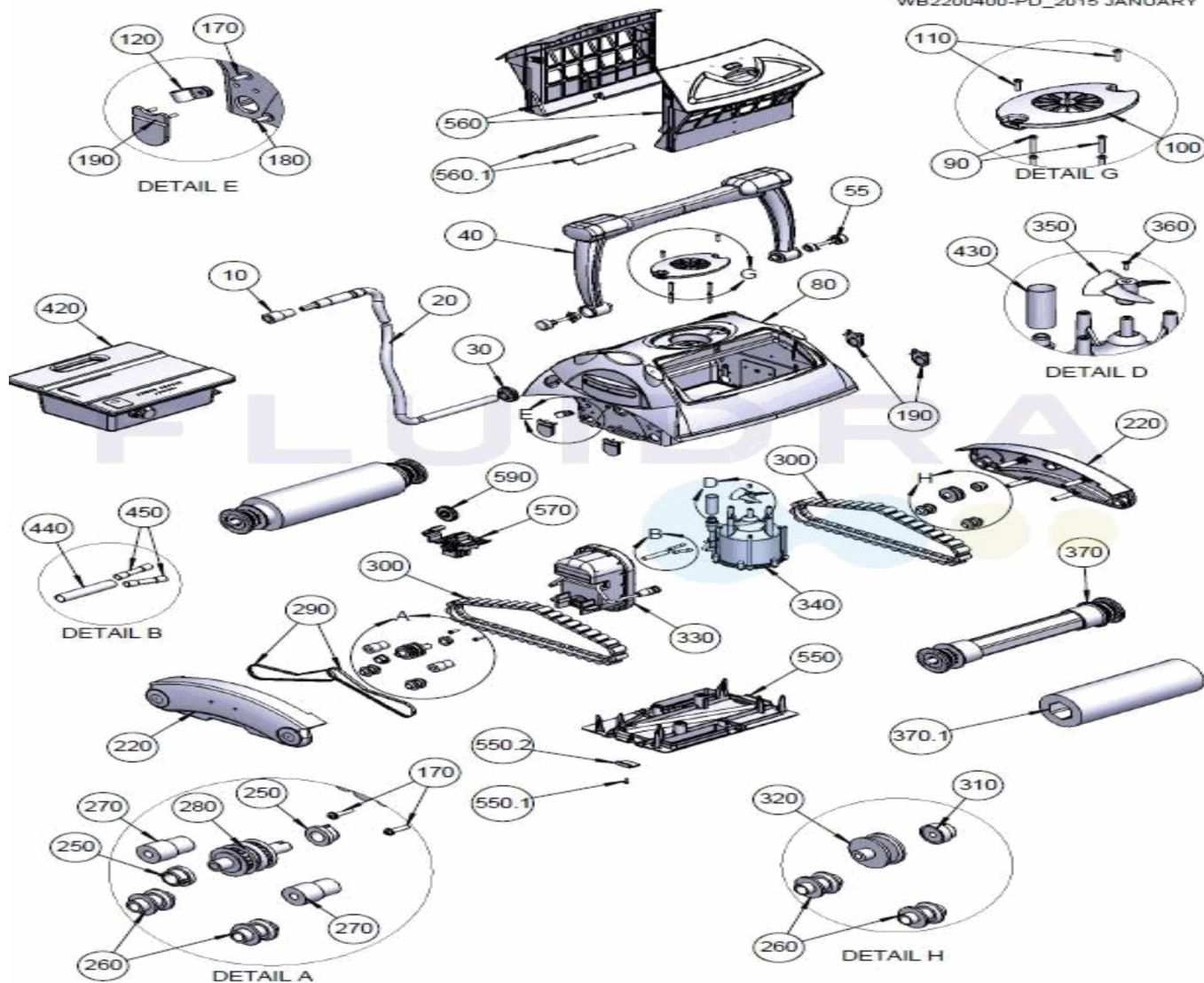
DESCRIPTION: **POOL CLEANER PULIT ADVANCE 5 PLUS**

420	AS2722300-SP	SPS SMART EU 180W GRIS	590	PP0070300	WHEEL
430	AS110162506	SHRINK TUBE 24/6	N/S	4613	GROOVE PIN 1/8X5/8 S/S
440	AS110011010	SHRINK TUBE 16/4 WCSM	N/S	XW3000100	SEALANT MASTIC
450	5473	BUTT CONNECTOR	N/S	PP0013900	GROMMET
550	BS1050302	BOTTOM LID	N/S	AS1051305	FINE MESH (50 MI.)
550,1	SW00008	SCREW PT KB40X12 S/S 304	N/S	AS1051307	COARSE FILTER (630 MI.)
550,2	PP0067300	SAFETY WASHER	N/S	AS1051306	STANDARD MESH (90 MI.)
560	AS1051319	FILTER TOP ASSY	N/S	AS1051310	SET FABRIC FILTERS FOR PULIT
560,1	PP00672IV	FILTER VALVE FOR TOP NEW	N/S	PP0005108	FLOAT OVAL
570	AS1050510	NEW VB MECHANISM ASSEMBLY	N/S	XW0100400	SNAP RIVET NYLON 28 MM

CODICE **63176**

DESCRIZIONE: **PULISCIFONDI PULIT ADVANCE 5 PLUS**

WB2200400-PD\_2015 JANUARY



**ITALIANO**

POS	CODICE	DESCRIZIONE	POS	CODICE	DESCRIZIONE
10	PL00002M	PRESA A QUATTRO SPINE	250	2613	BOCCOLA IN MOLYBDENUM
20	WA00100CGL	CAVO GALLEGGIANTE CG/18M/2C	260	3500	CILINDRO PICCOLO
30	1623	OCCHIELLO SIGILLANTE	270	3506	GUAINA CILINDRO
40	AS0361600	INSIEME MANIGLIA	280	A3605	BLOCCO PULEGGIA
55	SK00005DB	PASSANTE COMPLETO PER MANICO	290	3302	CINGHIA DI TRASMISSIONE
80	AS1019970	GRUPPO CORPO	300	3201G	CINGOLI DI TRASMISSIONE
90	2500	VITE 8X1,175 PH PN	310	2610	RONDELLA CENTRALE
100	PP00059OB	SORTIE SUPÉRIEURE	320	3700	CILINDRO GRANDE
110	5061	VITE 6-32X5/8 S/S PH PA	330	AS08703-SP	MOTORE DI TRAZIONE
120	HW0006700	ATTACCO CAVO	340	AS00035R-SP	INIETTORE A POMPA
170	2700	VITE 8X11/16 PHIL PN	350	P00038	ELICA
180	2701	VITE 8X11/16 PHIL PN	360	SW00069	VITE M-3X10 PHIL DIN-965
190	2305N	VALVOLA DI GOMMA	370	AS38246CG	RULLO DI TRAIANO
220	AS1065500	PLACCA LATERALE	370.1	PP03009GY	SPAZZOLA PVA

**CODICE 63176**
**DESCRIZIONE: PULISCIFONDI PULIT ADVANCE 5 PLUS**

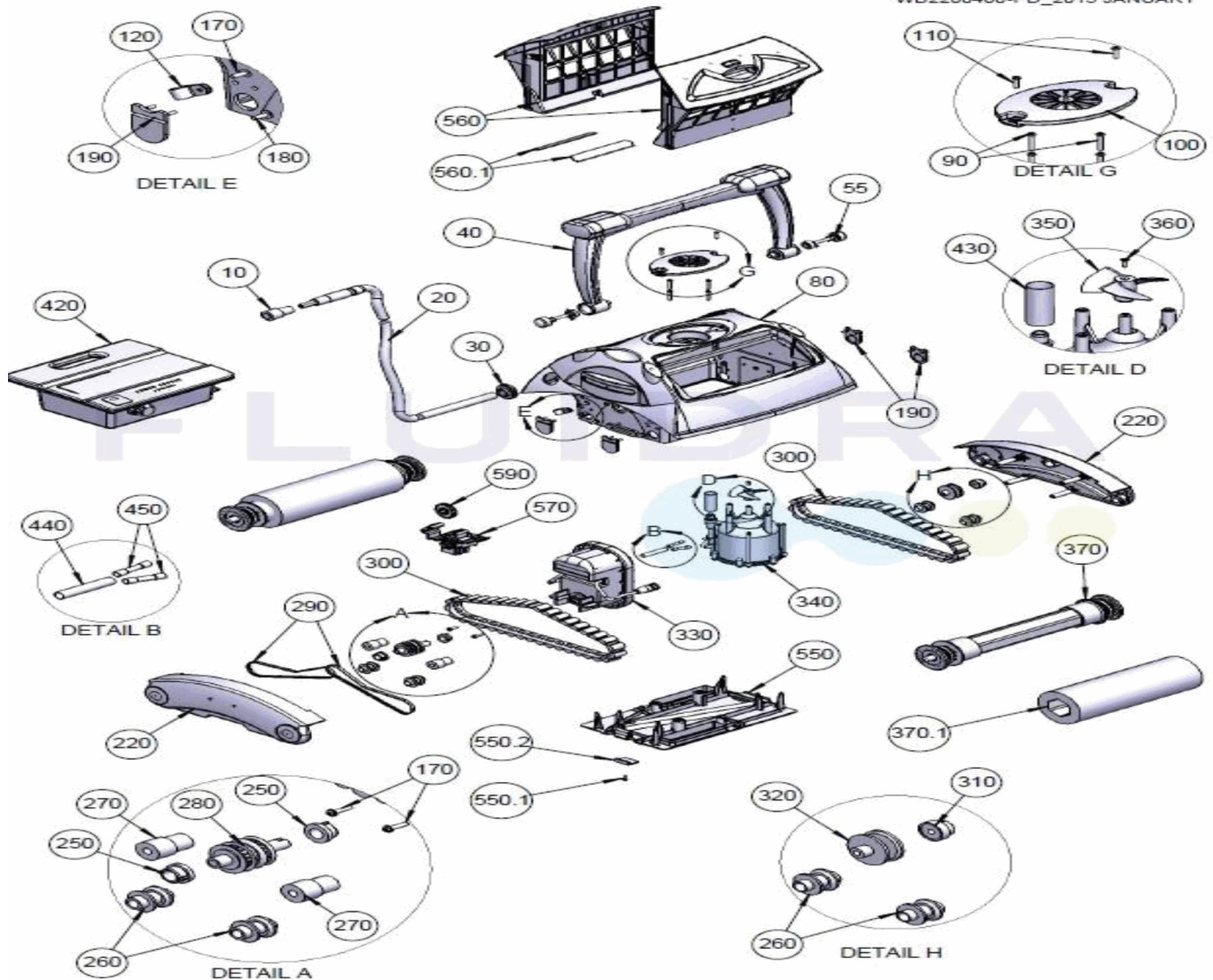
420	AS2722300-SP	TRASFORMATORE SMART EU 180W	590	PP0070300	RUOTA
430	AS110162506	TUBO RETRACTIL 24/6	N/S	4613	COPPIGLIA CON SCANALATURA
440	AS110011010	TUBO RETRACTIL 16/4 WCSM	N/S	XW3000100	STUCCO TENUTA STAGNA
450	5473	CONNETTORI ISOLATI DI ESTREMITÀ	N/S	PP0013900	PROTETTORE CAVO
550	BS1050302	COPERTURA INFERIORE	N/S	AS1051305	SET FITRO FINO PULIT (AZUL 2 UNIDADES)
550,1	SW00008	VITE PT KB40X12 S/S 304	N/S	AS1051307	SET FILTRO GRUESO PULIT (AZUL 2 UNIDADE)
550,2	PP0067300	RONDELLA DI SICUREZZA	N/S	AS1051306	SET FILTRO STANDARD PULIT (AZUL 2 UNID.)
560	AS1051319	BLOCCO FILTRO SUPERIORE	N/S	AS1051310	SET FILTRO TELA PULIT (AZZURRO 2 UNITÀ)
560,1	PP00672IV	FILTRO VALVOLA SUPERIORE	N/S	PP0005108	GALLEGGIANTE OVALE
570	AS1050510	SUPPORTO MECCANISMO	N/S	XW0100400	RIVETTO PLASTICA 28 MM



CODE 63176

BESCHREIBUNG: BODENREINIGER PULIT ADVANCE 5 PLUS

WB2200400-PD\_2015 JANUARY



DEUTSCH

POS	CODE	BESCHREIBUNG	POS	CODE	BESCHREIBUNG
10	PL00002M	4-PIN-STECKER	250	2613	MOLYBDÄN-BUCHSE
20	WA00100CGL	SCHWIMMENDES KABEL CG/18M/2C	260	3500	KLEINER ROLLER
30	1623	SCHRAUBENMUTTER FIXIERUNG KABEL	270	3506	ÄRMELROLLER
40	AS0361600	SET GRIFF	280	A3605	ANTRIEBSSCHEIBE GERÄT
55	SK00005DB	BÜGEL KOMPLETT FÜR GRIFF	290	3302	ANTRIEBSRIEMEN
80	AS1019970	SET KÖRPER	300	3201G	ANTRIEBSSPUR
90	2500	SCHRAUBE 8X1, 175 PH PN	310	2610	MITTLERE BEILAGSCHEIBE
100	PP00059OB	OBERER ABZUG	320	3700	GROSSER ROLLER
110	5061	SCHRAUBE 6-32X5/8 S/S PH PA	330	AS08703-SP	ZUGMOTOR
120	HW0006700	BEFESTIGUNG KABEL	340	AS00035R-SP	MOTORPUMPE
170	2700	SCHRAUBE 8X11/16 PHIL PN	350	P00038	HELIX
180	2701	SCHRAUBE 8X11/16 PHIL PN	360	SW00069	SCHRAUBE M-3X10 PHIL DIN-965
190	2305N	GUMMIVENTIL	370	AS38246CG	FÖRDERROLLE
220	AS1065500	SEITENPLAKETTE	370.1	PP03009GY	PVA-BÜRSTE

CODE **63176**

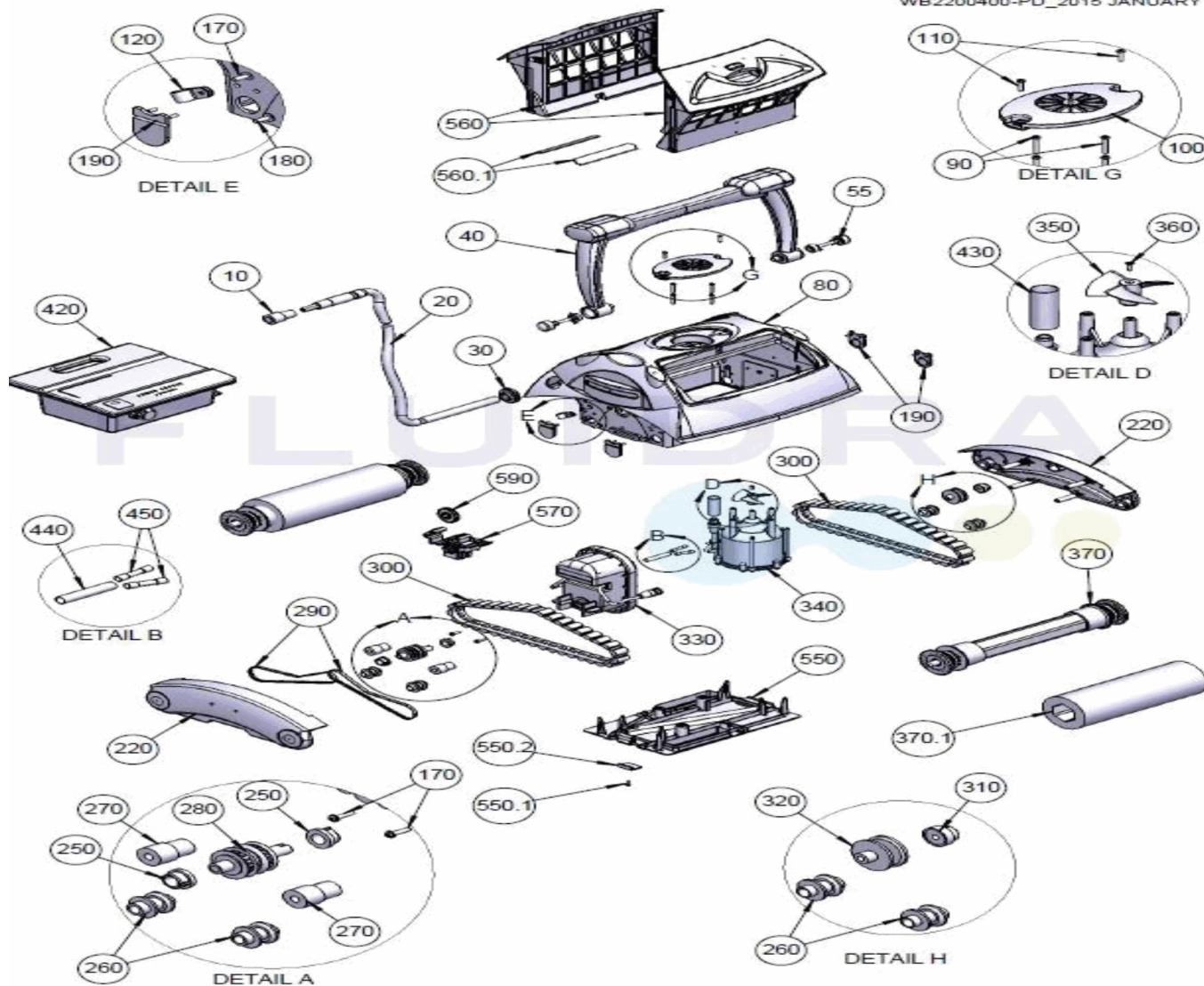
BESCHREIBUNG: **BODENREINIGER PULIT ADVANCE 5 PLUS**

420	AS2722300-SP	TRANSFORMATOR SMART EU 180W	590	PP0070300	RAD
430	AS110162506	EINLAUFROHR 24/6	N/S	4613	GENUTETER STIFT
440	AS110011010	EINZIEHBARES ROHR 16/4 WCSM	N/S	XW3000100	DICHTUNGSMASSE
450	5473	HINTERER VERBINDUNGSTEIL	N/S	PP0013900	KABELSCHUTZ
550	BS1050302	UNTERER DECKEL	N/S	AS1051305	SET FEINFILTER PULIT (BLAU 2 EINHEITEN)
550,1	SW00008	SCHRAUBE PT KB40X12 S/S 304	N/S	AS1051307	SET GROBFILTER PULIT (BLAU 2 EINHEITEN)
550,2	PP0067300	SICHERHEITSSCHEIBE	N/S	AS1051306	SET STANDARDFILTER PULIT (BLAU 2 EINH.)
560	AS1051319	OBERER FILTERAUFSATZ	N/S	AS1051310	SET GEWEBEFILTER PULIT (BLAU, 2 STK)
560,1	PP00672IV	FILTER OBERES VENTIL	N/S	PP0005108	SCHWIMMTEIL OVAL
570	AS1050510	HALTERUNGMECHANISMUS	N/S	XW0100400	PLASTIKNIETE 28 MM

CODIGO **63176**

DESCRIÇÃO: **LIMPADOR DE FUNDOS PULIT ADVANCE 5 PLUS**

WB2200400-PD\_2015 JANUARY



**PORTUGUES**

POS	CODIGO	DESCRIÇÃO	POS	CODIGO	DESCRIÇÃO
10	PL00002M	FICHA DE 4 PINOS	250	2613	BUCHA MOLIBDÉNIO
20	WA00100CGL	CONJUNTO CABO DA BOIA CG/18M/2C	260	3500	ROLETE PEQUENO
30	1623	ANEL ISOLANTE	270	3506	ROLETE DE BORRACHA
40	AS0361600	CJTO. PEGA	280	A3605	CONJUNTO ROLDANA
55	SK00005DB	PASSADOR COMPLETO PARA PEGA	290	3302	CORREIA DE TRANSMISSÃO
80	AS1019970	CONJUNTO CORPO	300	3201G	LAGARTA DE TRACÇÃO
90	2500	PARAFUSO 8 X 1,175 PH PN	310	2610	ANILHA CENTRAL
100	PP00059OB	SORTIE SUPÉRIEURE	320	3700	ROLETE GRANDE
110	5061	PARAFUSO 6-32 X 5/8 S/S PH PA	330	AS08703-SP	MOTOR DE TRACÇÃO
120	HW0006700	FIXAÇÃO CABO	340	AS00035R-SP	BOMBA MOTOR
170	2700	PARAFUSO 8 X 11/16 PHIL PN	350	P00038	HÉLICE
180	2701	PARAFUSO 8 X 11/16 PHIL PN	360	SW00069	PARAFUSO M-3 X 10 PHIL DIN-965
190	2305N	VÁLVULA DE BORRACHA	370	AS38246CG	ROLO DE ARRASTO
220	AS1065500	PLACA LATERAL	370.1	PP03009GY	ESCOVA PVA

CODIGO **63176**

DESCRIÇÃO: **LIMPADOR DE FUNDOS PULIT ADVANCE 5 PLUS**

420	AS2722300-SP	TRANSFORMADOR SMART EU 180 W	590	PP0070300	RODA
430	AS110162506	TUBO ENCOLHÍVEL 24/6	N/S	4613	PASSADOR COM RANHURA
440	AS110011010	TUBO RETRÁTIL 16/4 WCSM	N/S	XW3000100	SELANTE ESTANQUEIDADE
450	5473	CONECTOR DE EXTREMIDADE	N/S	PP0013900	PROTECTOR CABO
550	BS1050302	TAMPA INFERIOR	N/S	AS1051305	SET FILTRO FINO PULIT (AZUL 2 UNIDADES)
550,1	SW00008	PARAFUSO PT KB40 X 12 S/S 304	N/S	AS1051307	SET FILTRO GROSSO PULIT (AZUL 2 UNIDADES)
550,2	PP0067300	ANILHA DE SEGURANÇA	N/S	AS1051306	SET FILTRO STANDARD PULIT (AZUL 2 UNID.)
560	AS1051319	CONJUNTO SUPERIOR DO FILTRO	N/S	AS1051310	CONJ. FILTRO TECIDO PULIT (AZUL 2 UNIDADES)
560,1	PP00672IV	FILTRO VÁLVULA SUPERIOR	N/S	PP0005108	BOIA OVALADA
570	AS1050510	SUPORTE MECANISMO	N/S	XW0100400	REBITE PLÁSTICO 28 MM