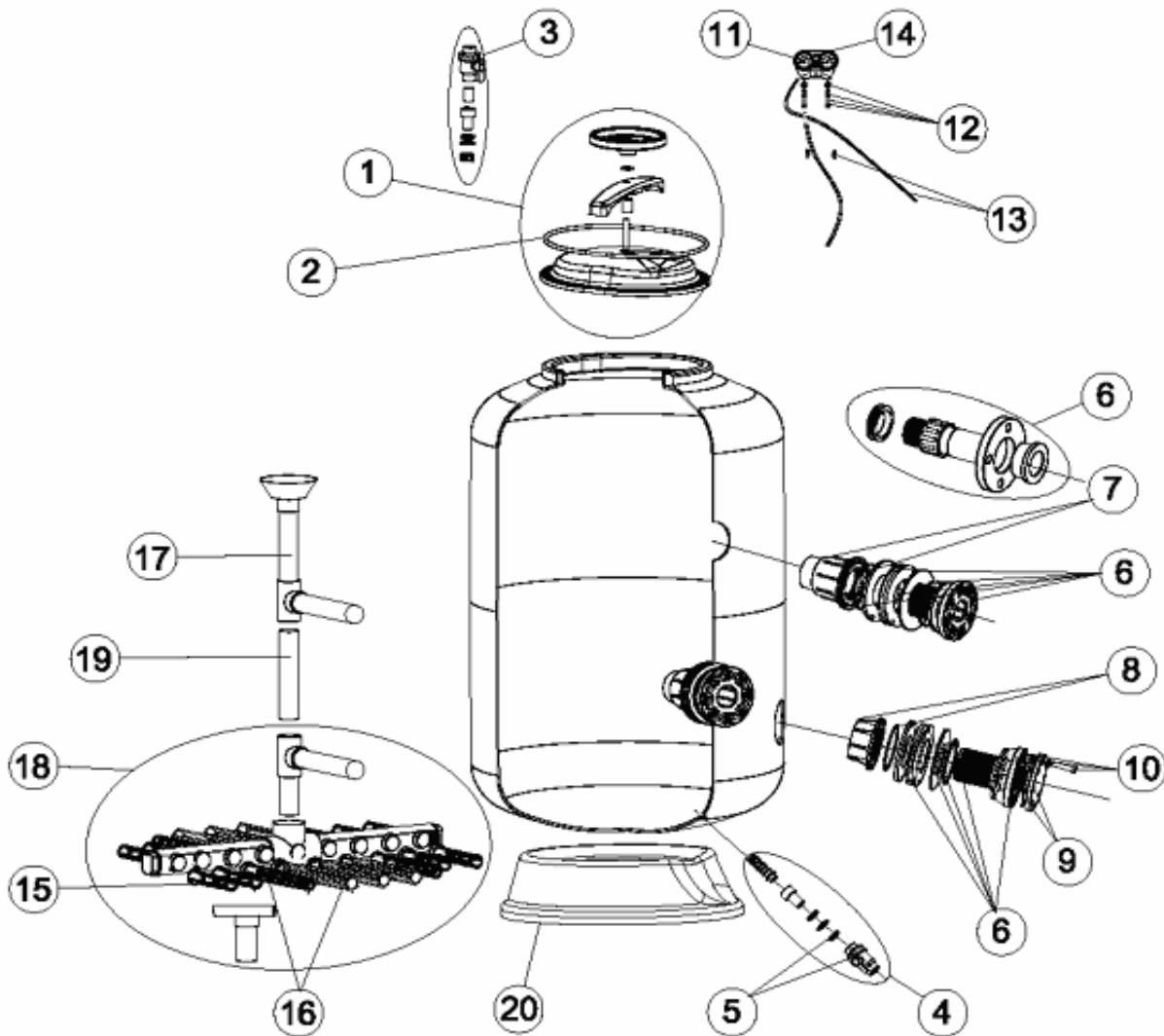


CODE **11511N, 11512N, 11513N, 11514N, 11515N, 11516N, 11517N, 11518N, 11519N, 11520N, 11521N, 11522N, 11523N, 11524N, 11525N, 11526N, 11527N, 11528N, 11529N**

BESCHREIBUNG: **FILTER VIC D. 1050-1200-1400-1600-1800-2000**



DEUTSCHE

POS	CODE	BESCHREIBUNG	POS	CODE	BESCHREIBUNG
1	4404161601	DECKEL KOMPLETT	15	*4404160819	"FILTERSTERN SCHLITZROHR 11/2" 160 MM."
2	4404161602	DECKELDICHUNG	15	*4404160820	"FILTERSTERN SCHLITZROHR 11/2" 225 MM."
3	4404161603	*FILTER ENTLÜFTUNG 1***	15	*4404160821	"FILTERSTERN SCHLITZROHR 11/2" 260 MM."
4	4404161604	*WASSERENTLEERUNG 1***	15	*4404160822	"FILTERSTERN SCHLITZROHR 11/2" 325 MM."
5	4404161605	*UNIBLOCK VENTIL 1***	15	*4404160823	"FILTERSTERN SCHLITZROHR 11/2" 360 MM."
6	*4404161619	KIT EINLAUF/ANSLAUF D.63-1050	15	*4404160824	"FILTERSTERN SCHLITZROHR 11/2" 425 MM."
6	*4404161606	SET EINLAUF / AUSLAUF / SANDENTLEERUNG 75/90	15	*4404160825	"FILTERSTERN SCHLITZROHR 11/2" 460 MM."
6	*4404161607	SET EINLAUF / AUSLAUF 110/125	15	*4404160826	"FILTERSTERN SCHLITZROHR 11/2" 525 MM."
6	*4404161608	SET EINLAUF / AUSLAUF 140/160	16	*4404161615	SET FILTERSTERN SCHLITZROHR D.1050
7	*4404161609	VERSTÄRKUNG INNEN 75/90	16	*4404161616	SET FILTERSTERN SCHLITZROHR D.1200
7	*4404161610	VERSTÄRKUNG INNEN 110/125	16	*4404161617	SET FILTERSTERN SCHLITZROHR D.1400
7	*4404161611	VERSTÄRKUNG INNEN 140/160	16	*4404161618	SET FILTERSTERN SCHLITZROHR D.1600
8	4404161612	MUTTER SANDENTLEERUNG	16	*4404161620	SET FILTERSTERN SCHLITZROHR D.1800
9	4404161613	BLINDFLANSCH + DICHTUNG	16	*4404161621	SET FILTERSTERN SCHLITZROHR D.2000
10	4404161614	SCHRAUBENSATZ BLINDFLANSCH	17	*4404160137	OBERER WASSERVERTEILER D. 1050-63
11	4404170102	MANOMETER 3 KG/CM2	17	*4404160138	OBERER WASSERVERTEILER D.1050-75
12	4404170103	ENTLÜFTUNG MANOMETERTAFEL	17	*4404160139	OBERER WASSERVERTEILER D.1050-90
13	4404170104	PNEUMATIKSCHLAUCH 6/4 MM MIT VERSCHRAUBUNG	17	*4404160140	OBERER WASSERVERTEILER D.1200-75
14	4404170105	KÖRPER MANOMETERTAFEL	17	*4404160141	OBERER WASSERVERTEILER D.1200-90

CODE **11511N, 11512N, 11513N, 11514N, 11515N, 11516N, 11517N, 11518N,
 11519N, 11520N, 11521N, 11522N, 11523N, 11524N, 11525N, 11526N,
 11527N, 11528N, 11529N**

BESCHREIBUNG: **FILTER VIC D. 1050-1200-1400-1600-1800-2000**

17	* 4404160142	OBERER WASSERVERTEILER D. 1400-75	18	* 4404160173	UNTERER WASSERVERTEILER D. 2000-110
17	* 4404160143	OBERER WASSERVERTEILER D. 1400-90	18	* 4404160174	UNTERER WASSERVERTEILER D. 2000-125
17	* 4404160145	OBERER WASSERVERTEILER D. 1400-110	18	* 4404160175	UNTERER WASSERVERTEILER D. 2000-140
17	* 4404160146	OBERER WASSERVERTEILER D. 1600-90	18	* 4404160176	UNTERER WASSERVERTEILER D. 2000-160
17	* 4404160148	OBERER WASSERVERTEILER D. 1600-110	19	* 32131R0440	ZERSTREUEN DER UNTERSTÜTZUNG D.63-1050
17	* 4404160149	OBERER WASSERVERTEILER D. 1600-125	19	* 32132R0440	ZERSTREUEN DER UNTERSTÜTZUNG D.75-1050
17	* 4404160150	OBERER WASSERVERTEILER D. 1800-90	19	* 32133R0440	ZERSTREUEN DER UNTERSTÜTZUNG D.90-1050
17	* 4404160151	OBERER WASSERVERTEILER D. 1800-110	19	* 32134R0440	ZERSTREUEN DER UNTERSTÜTZUNG D.75-1200
17	* 4404160152	OBERER WASSERVERTEILER D. 1800-125	19	* 32135R0440	ZERSTREUEN DER UNTERSTÜTZUNG D.90-1200
17	* 4404160153	OBERER WASSERVERTEILER D. 1800-140	19	* 32136R0440	ZERSTREUEN DER UNTERSTÜTZUNG D.75-1400
17	* 4404160154	OBERER WASSERVERTEILER D. 2000-110	19	* 32137R0440	ZERSTREUEN DER UNTERSTÜTZUNG D.90-1400
17	* 4404160155	OBERER WASSERVERTEILER D. 2000-125	19	* 32138R0440	ZERSTREUEN DER UNTERSTÜTZUNG D.110-1400
17	* 4404160156	OBERER WASSERVERTEILER D. 2000-140	19	* 32139R0440	ZERSTREUEN DER UNTERSTÜTZUNG D.90-1600
17	* 4404160157	OBERER WASSERVERTEILER D. 2000-160	19	* 32140R0440	ZERSTREUEN DER UNTERSTÜTZUNG D.110-1600
18	* 4404160158	UNTERER WASSERVERTEILER D. 1050-63	19	* 32141R0440	ZERSTREUEN DER UNTERSTÜTZUNG D.125-1600
18	* 4404160159	UNTERER WASSERVERTEILER D. 1050-75	19	* 32142R0440	ZERSTREUEN DER UNTERSTÜTZUNG D.90-1800
18	* 4404160160	UNTERER WASSERVERTEILER D. 1050-90	19	* 32143R0440	ZERSTREUEN DER UNTERSTÜTZUNG D.110-1800
18	* 4404160161	UNTERER WASSERVERTEILER D. 1200-75	19	* 32144R0440	ZERSTREUEN DER UNTERSTÜTZUNG D.125-1800
18	* 4404160162	UNTERER WASSERVERTEILER D. 1200-90	19	* 32145R0440	ZERSTREUEN DER UNTERSTÜTZUNG D.140-1800
18	* 4404160163	UNTERER WASSERVERTEILER D. 1400-75	19	* 32146R0440	ZERSTREUEN DER UNTERSTÜTZUNG D.110-2000
18	* 4404160164	UNTERER WASSERVERTEILER D. 1400-90	19	* 32147R0440	ZERSTREUEN DER UNTERSTÜTZUNG D.125-2000
18	* 4404160165	UNTERER WASSERVERTEILER D. 1400-110	19	* 32148R0440	ZERSTREUEN DER UNTERSTÜTZUNG D.140-2000
18	* 4404160166	UNTERER WASSERVERTEILER D. 1600-90	19	* 32149R0440	ZERSTREUEN DER UNTERSTÜTZUNG D.160-2000
18	* 4404160167	UNTERER WASSERVERTEILER D. 1600-110	20	* 00687R0101	FUSS FILTER D 1050
18	* 4404160168	UNTERER WASSERVERTEILER D. 1600-125	20	* 00546R0101	FUSS FILTER D 1200-90
18	* 4404160169	UNTERER WASSERVERTEILER D. 1800-90	20	* 00689R0101	FUSS FILTER D 1400
18	* 4404160170	UNTERER WASSERVERTEILER D. 1800-110	20	* 00690R0101	FUSS FILTER D 1600-90
18	* 4404160171	UNTERER WASSERVERTEILER D. 1800-125	20	* 00691R0101	FUSS FILTER D 1800
18	* 4404160172	UNTERER WASSERVERTEILER D. 1800-140	20	* 00692R0101	FUSS FILTER 2000-110

CODE **11511N, 11512N, 11513N, 11514N, 11515N, 11516N, 11517N, 11518N, 11519N, 11520N, 11521N, 11522N, 11523N, 11524N, 11525N, 11526N, 11527N, 11528N, 11529N**

BESCHREIBURG: **FILTER VIC D. 1050-1200-1400-1600-1800-2000**

HINWEISE

POSICIÓN	PIEZA	OBSERVACIÓN
6	4404161619	PARA 11511N
6	4404161606	PARA 11517N, 11526N, 11512N 11522N, 11513N, 11518N, 11514N, 11515N
6	4404161607	PARA 11523N, 11519N, 11527N, 11520N, 11524N, 11516N, 11521N
6	4404161608	PARA 11528N, 11525N, 11529N
7	4404161609	PARA 11517N, 11526N, 11512N 11522N, 11513N, 11518N, 11514N, 11515N
7	4404161610	PARA 11523N, 11519N, 11527N, 11520N, 11524N, 11516N, 11521N
7	4404161611	PARA 11528N, 11525N, 11529N
15	4404160819	PARA (11514N-10) (11519N-10) (11527N-10) (11515N-12) (11520N-12) (11524N-12) 11528N-12)
15	4404160820	PARA (11511N-2) (11517N-2) (11526N-2) (11516N-12) (11521N-12) (11525N-12) (11529N-12)
15	4404160821	PARA (11512N-2) (11522N-2) (11513N-2) (11518N-2) (11523N-2) (11514N-2) (11519N-2) (11527N-2) (11515N-2) (11520N-2) (11524N-2) (11528N-2)
15	4404160822	PARA (11511N-2) (11517N-2) (11526N-2) (11515N-2) (11518N-2) (11523N-2) (11514N-2) (11519N-2) (11527N-2) (11516N-2) (11521N-2) (11525N-2) (11529N-2)
15	4404160823	PARA (11511N-3) (11517N-3) (11526N-3) (11512N-2) (11522N-2) (11514N-3) (11519N-3) (11527N-3) (11515N-2) (11520N-2) (11524N-2) (11527N-2)
15	4404160824	PARA (11512N-2) (11522N-2) (11515N-2) (11520N-2) (11524N-2) (11527N-2) (11516N-2) (11521N-2) (11525N-2) (11529N-2)
15	4404160825	PARA (11512N-1) (11522N-1) (11513N-2) (11518N-2) (11523-2) (11515N-3) (11520N-3) (11524N-3) (11527N-3) (11516N-5) (11521N-5) (11525N-5) (11529N-5)
15	4404160826	PARA (11513N-3) (11518N-3) (11523N-3)
16	4404161615	PARA 11511N, 11517N, 11526N
16	4404161616	PARA 11512N, 11522N
16	4404161617	PARA 11513N, 11518N, 11523N
16	4404161618	PARA 11514N, 11519N, 11527N
16	4404161620	PARA 11515N, 11520N, 11524N, 11528N
16	4404161621	PARA 11516N, 11521N, 11522N, 11529N
17	4404160137	PARA 11511N
17	4404160138	PARA 11517N
17	4404160139	PARA 11526N
17	4404160140	PARA 11512N
17	4404160141	PARA 11522N
17	4404160142	PARA 11513N
17	4404160143	PARA 11518N
17	4404160145	PARA 11523N
17	4404160146	PARA 11514N
17	4404160148	PARA 11519N
17	4404160149	PARA 11527N
17	4404160150	PARA 11515N
17	4404160151	PARA 11520N
17	4404160152	PARA 11524N
17	4404160153	PARA 11528N
17	4404160154	PARA 11516N
17	4404160155	PARA 11521N
17	4404160156	PARA 11525N
17	4404160157	PARA 11529N
18	4404160158	PARA 11511N
18	4404160159	PARA 11517N
18	4404160160	PARA 11526N
18	4404160161	PARA 11512N
18	4404160162	PARA 11522N
18	4404160163	PARA 11513N
18	4404160164	PARA 11518N
18	4404160165	PARA 11523N
18	4404160166	PARA 11514N
18	4404160167	PARA 11519N
18	4404160168	PARA 11527N
18	4404160169	PARA 11515N
18	4404160170	PARA 11520N
18	4404160171	PARA 11524N
18	4404160172	PARA 11528N
18	4404160173	PARA 11516N
18	4404160174	PARA 11521N

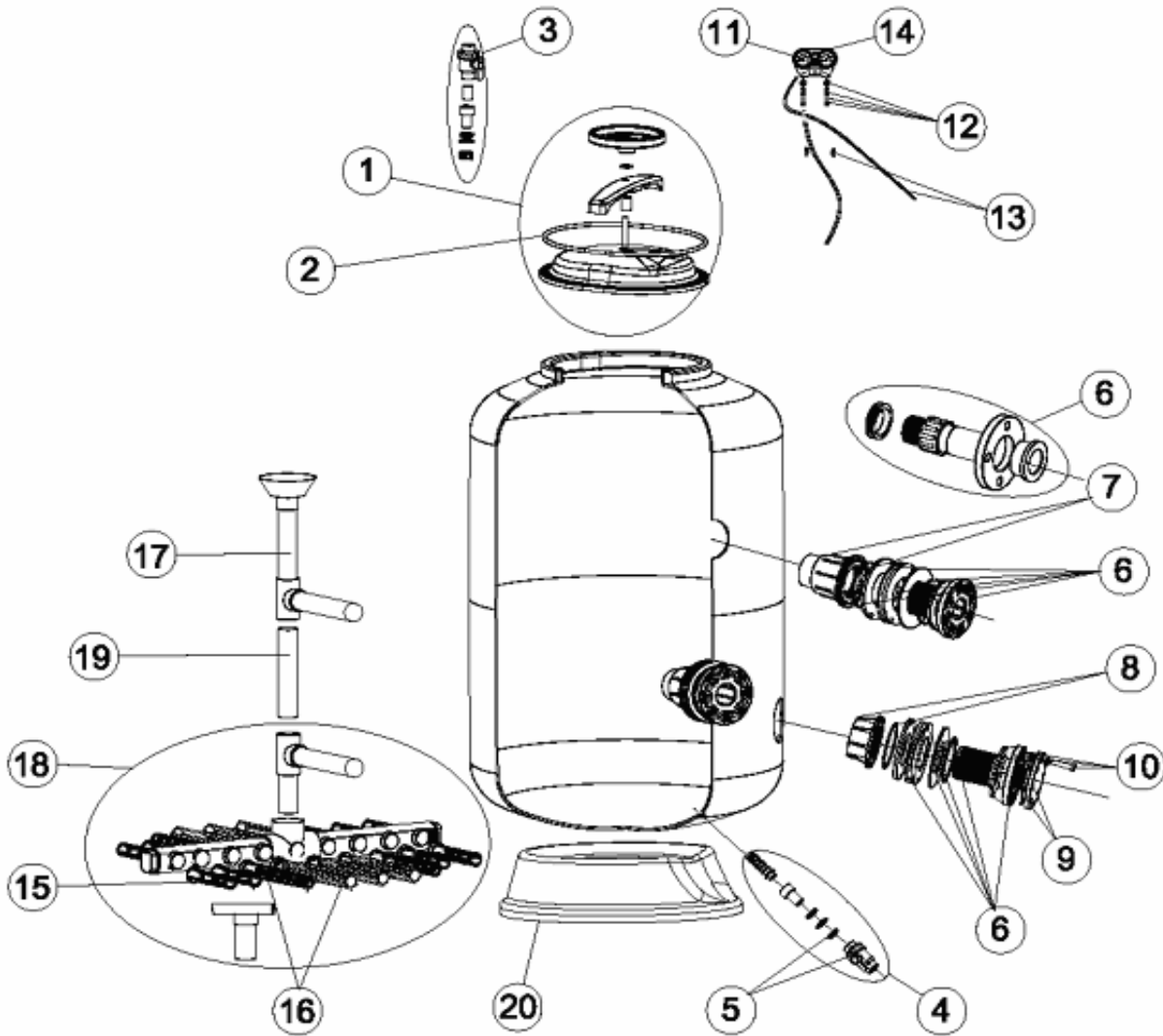
CODE **11511N, 11512N, 11513N, 11514N, 11515N, 11516N, 11517N, 11518N,
 11519N, 11520N, 11521N, 11522N, 11523N, 11524N, 11525N, 11526N,
 11527N, 11528N, 11529N**

BESCHREIBUNG: **FILTER VIC D. 1050-1200-1400-1600-1800-2000**

18	4404160175	PARA 11525N
18	4404160176	PARA 11529N
19	32131R0440	PARA 11511N
19	32132R0440	PARA 11517N
19	32133R0440	PARA 11526N
19	32134R0440	PARA 11512N
19	32135R0440	PARA 11522N
19	32136R0440	PARA 11513N
19	32137R0440	PARA 11518N
19	32138R0440	PARA 11523N
19	32139R0440	PARA 11514N
19	32140R0440	PARA 11519N
19	32141R0440	PARA 11527N
19	32142R0440	PARA 11515N
19	32143R0440	PARA 11520N
19	32144R0440	PARA 11524N
19	32145R0440	PARA 11528N
19	32146R0440	PARA 11516N
19	32147R0440	PARA 11521N
19	32148R0440	PARA 11525N
19	32149R0440	PARA 11529N
20	00687R0101	PARA 11511N, 11517N, 11526N
20	00546R0101	PARA 11512N, 11522N
20	00689R0101	PARA 11513N, 11518N, 11523N
20	00690R0101	PARA 11514N, 11519N, 11527N
20	00691R0101	PARA 11515N, 11520N, 11524N, 11528N
20	00692R0101	PARA 11516N, 11521N, 11525N, 11529N

CODE **11511N, 11512N, 11513N, 11514N, 11515N, 11516N, 11517N, 11518N, 11519N, 11520N, 11521N, 11522N, 11523N, 11524N, 11525N, 11526N, 11527N, 11528N, 11529N**

DESCRIPTION: **VIC D FILTERS 1050-1200-1400-1600-1800-2000**



ENGLISH

POS	CODE	DESCRIPTION	POS	CODE	DESCRIPTION
1	4404161601	FILTER LID	15	*4404160819	"MANIFOLD ARM 1/2"" 160 M/M."
2	4404161602	LID GASKET	15	*4404160820	"MANIFOLD ARM 1/2"" 225 M/M."
3	4404161603	*AIR PURGE 1""	15	*4404160821	"MANIFOLD ARM 1/2"" 260 M/M."
4	4404161604	*WATER PURGE 1""	15	*4404160822	"MANIFOLD ARM 1/2"" 325 M/M."
5	4404161605	*UNBLOCK VALVE 1""	15	*4404160823	"MANIFOLD ARM 1/2"" 360 M/M."
6	*4404161619	KIT INLET/OUTLET D.63-1050	15	*4404160824	"MANIFOLD ARM 1/2"" 425 M/M."
6	*4404161606	INLET/OUTLET/UNLOAD SAND 75/90	15	*4404160825	"MANIFOLD ARM 1/2"" 460 M/M."
6	*4404161607	INLET/OUTLET ASSEMBLY 110/125	15	*4404160826	"MANIFOLD ARM 1/2"" 525 M/M."
6	*4404161608	INLET/OUTLET ASSEMBLY 140/160	16	*4404161615	MANIFOLD ARM ASSEMBLY D. 1050
7	*4404161609	INNER FITTING 75/90	16	*4404161616	MANIFOLD ARM ASSEMBLY D. 1200
7	*4404161610	INNER FITTING 110/125	16	*4404161617	MANIFOLD ARM ASSEMBLY D. 1400
7	*4404161611	INNER FITTING 140/160	16	*4404161618	MANIFOLD ARM ASSEMBLY D. 1600
8	4404161612	NUT UNLOAD SAND	16	*4404161620	MANIFOLD ARM ASSEMBLY D. 1800
9	4404161613	BLANK FLANGE + GASKET	16	*4404161621	MANIFOLD ARM ASSEMBLY D. 2000
10	4404161614	BLANK FLANGE SCREWS	17	*4404160137	DIFFUSER ASSEMBLY D. 1050-63
11	4404170102	PRESSURE GAUGE 3 BAR	17	*4404160138	DIFFUSER ASSEMBLY D. 1050-75
12	4404170103	AIR BLEED ASSEMBLY	17	*4404160139	DIFFUSER ASSEMBLY D. 1050-90
13	4404170104	PRESSURE FITTINGS + TUBE	17	*4404160140	DIFFUSER ASSEMBLY D. 1200-75
14	4404170105	PRESSURE GAUGE PANEL BODY	17	*4404160141	DIFFUSER ASSEMBLY D. 1200-90

CODE **11511N, 11512N, 11513N, 11514N, 11515N, 11516N, 11517N, 11518N,
11519N, 11520N, 11521N, 11522N, 11523N, 11524N, 11525N, 11526N,
11527N, 11528N, 11529N**

DESCRIPTION: **VIC D FILTERS 1050-1200-1400-1600-1800-2000**

17	* 4404160142	DIFFUSER ASSEMBLY D. 1400-75	18	* 4404160173	MANIFOLD ASSEMBLY D. 2000-110
17	* 4404160143	DIFFUSER ASSEMBLY D. 1400-90	18	* 4404160174	MANIFOLD ASSEMBLY D. 2000-125
17	* 4404160145	DIFFUSER ASSEMBLY D. 1400-110	18	* 4404160175	MANIFOLD ASSEMBLY D. 2000-140
17	* 4404160146	DIFFUSER ASSEMBLY D. 1600-90	18	* 4404160176	MANIFOLD ASSEMBLY D. 2000-160
17	* 4404160148	DIFFUSER ASSEMBLY D. 1600-110	19	* 32131R0440	DIFFUSOR SUPPORT SET D 63 - 1050
17	* 4404160149	DIFFUSER ASSEMBLY D. 1600-125	19	* 32132R0440	DIFFUSOR SUPPORT SET D 75 - 1050
17	* 4404160150	DIFFUSER ASSEMBLY D. 1800-90	19	* 32133R0440	SUPORTE CJTO. DIFUSOR D.90-1050
17	* 4404160151	DIFFUSER ASSEMBLY D. 1800-110	19	* 32134R0440	DIFFUSOR SUPPORT SET D 75 - 1200
17	* 4404160152	DIFFUSER ASSEMBLY D. 1800-125	19	* 32135R0440	SUPORTE CJTO. DIFUSOR D.90-1200
17	* 4404160153	DIFFUSER ASSEMBLY D. 1800-140	19	* 32136R0440	DIFFUSOR SUPPORT SET D 75 - 1400
17	* 4404160154	DIFFUSER ASSEMBLY D. 2000-110	19	* 32137R0440	DIFFUSOR SUPPORT SET D 90 - 1400
17	* 4404160155	DIFFUSER ASSEMBLY D. 2000-125	19	* 32138R0440	DIFFUSOR SUPPORT SET D 110 - 1400
17	* 4404160156	DIFFUSER ASSEMBLY D. 2000-140	19	* 32139R0440	DIFFUSOR SUPPORT SET D 90 - 1600
17	* 4404160157	DIFFUSER ASSEMBLY D. 2000-160	19	* 32140R0440	DIFFUSOR SUPPORT SET D 110 - 1600
18	* 4404160158	MANIFOLD ASSEMBLY D. 1050-63	19	* 32141R0440	DIFFUSOR SUPPORT SET D 125 - 1600
18	* 4404160159	MANIFOLD ASSEMBLY D. 1050-75	19	* 32142R0440	DIFFUSOR SUPPORT SET D 90 - 1800
18	* 4404160160	MANIFOLD ASSEMBLY D. 1050-90	19	* 32143R0440	DIFFUSOR SUPPORT SET D 110 - 1800
18	* 4404160161	MANIFOLD ASSEMBLY D. 1200-75	19	* 32144R0440	DIFFUSOR SUPPORT SET D 125 - 1800
18	* 4404160162	MANIFOLD ASSEMBLY D. 1200-90	19	* 32145R0440	DIFFUSOR SUPPORT SET D 140 - 1800
18	* 4404160163	MANIFOLD ASSEMBLY D. 1400-75	19	* 32146R0440	DIFFUSOR SUPPORT SET D 110 - 2000
18	* 4404160164	MANIFOLD ASSEMBLY D. 1400-90	19	* 32147R0440	DIFFUSOR SUPPORT SET D 125 - 2000
18	* 4404160165	MANIFOLD ASSEMBLY D. 1400-110	19	* 32148R0440	DIFFUSOR SUPPORT SET D 140 - 2000
18	* 4404160166	MANIFOLD ASSEMBLY D. 1600-90	19	* 32149R0440	DIFFUSOR SUPPORT SET D 160 - 2000
18	* 4404160167	MANIFOLD ASSEMBLY D. 1600-110	20	* 00687R0101	FILTER BASE D. 1050
18	* 4404160168	MANIFOLD ASSEMBLY D. 1600-125	20	* 00546R0101	FILTER BASE D. 1200-90
18	* 4404160169	MANIFOLD ASSEMBLY D. 1800-90	20	* 00689R0101	FILTER BASE D. 1400
18	* 4404160170	MANIFOLD ASSEMBLY D. 1800-110	20	* 00690R0101	FILTER BASE D. 1600 - 90
18	* 4404160171	MANIFOLD ASSEMBLY D. 1800-125	20	* 00691R0101	FILTER BASE D. 1800
18	* 4404160172	MANIFOLD ASSEMBLY D. 1800-140	20	* 00692R0101	FILTER BASE 2000-110

CODE **11511N, 11512N, 11513N, 11514N, 11515N, 11516N, 11517N, 11518N, 11519N, 11520N, 11521N, 11522N, 11523N, 11524N, 11525N, 11526N, 11527N, 11528N, 11529N**

DESCRIPTION: **VIC D FILTERS 1050-1200-1400-1600-1800-2000**

OBSERVATIONS

POSICIÓN	PIEZA	OBSERVACIÓN
6	4404161619	PARA 11511N
6	4404161606	PARA 11517N, 11526N, 11512N 11522N, 11513N, 11518N, 11514N, 11515N
6	4404161607	PARA 11523N, 11519N, 11527N, 11520N, 11524N, 11516N, 11521N
6	4404161608	PARA 11528N, 11525N, 11529N
7	4404161609	PARA 11517N, 11526N, 11512N 11522N, 11513N, 11518N, 11514N, 11515N
7	4404161610	PARA 11523N, 11519N, 11527N, 11520N, 11524N, 11516N, 11521N
7	4404161611	PARA 11528N, 11525N, 11529N
15	4404160819	PARA (11514N-10) (11519N-10) (11527N-10) (11515N-12) (11520N-12) (11524N-12) 11528N-12)
15	4404160820	PARA (11511N-2) (11517N-2) (11526N-2) (11516N-12) (11521N-12) (11525N-12) (11529N-12)
15	4404160821	PARA (11512N-2) (11522N-2) (11513N-2) (11518N-2) (11523N-2) (11514N-2) (11519N-2) (11527N-2) (11515N-2) (11520N-2) (11524N-2) (11528N-2)
15	4404160822	PARA (11511N-2) (11517N-2) (11526N-2) (11515N-2) (11518N-2) (11523N-2) (11514N-2) (11519N-2) (11527N-2) (11516N-2) (11521N-2) (11525N-2) (11529N-2)
15	4404160823	PARA (11511N-3) (11517N-3) (11526N-3) (11512N-2) (11522N-2) (11514N-3) (11519N-3) (11527N-3) (11515N-2) (11520N-2) (11524N-2) (11527N-2)
15	4404160824	PARA (11512N-2) (11522N-2) (11515N-2) (11520N-2) (11524N-2) (11527N-2) (11516N-2) (11521N-2) (11525N-2) (11529N-2)
15	4404160825	PARA (11512N-1) (11522N-1) (11513N-2) (11518N-2) (11523-2) (11515N-3) (11520N-3) (11524N-3) (11527N-3) (11516N-5) (11521N-5) (11525N-5) (11529N-5)
15	4404160826	PARA (11513N-3) (11518N-3) (11523N-3)
16	4404161615	PARA 11511N, 11517N, 11526N
16	4404161616	PARA 11512N, 11522N
16	4404161617	PARA 11513N, 11518N, 11523N
16	4404161618	PARA 11514N, 11519N, 11527N
16	4404161620	PARA 11515N, 11520N, 11524N, 11528N
16	4404161621	PARA 11516N, 11521N, 11522N, 11529N
17	4404160137	PARA 11511N
17	4404160138	PARA 11517N
17	4404160139	PARA 11526N
17	4404160140	PARA 11512N
17	4404160141	PARA 11522N
17	4404160142	PARA 11513N
17	4404160143	PARA 11518N
17	4404160145	PARA 11523N
17	4404160146	PARA 11514N
17	4404160148	PARA 11519N
17	4404160149	PARA 11527N
17	4404160150	PARA 11515N
17	4404160151	PARA 11520N
17	4404160152	PARA 11524N
17	4404160153	PARA 11528N
17	4404160154	PARA 11516N
17	4404160155	PARA 11521N
17	4404160156	PARA 11525N
17	4404160157	PARA 11529N
18	4404160158	PARA 11511N
18	4404160159	PARA 11517N
18	4404160160	PARA 11526N
18	4404160161	PARA 11512N
18	4404160162	PARA 11522N
18	4404160163	PARA 11513N
18	4404160164	PARA 11518N
18	4404160165	PARA 11523N
18	4404160166	PARA 11514N
18	4404160167	PARA 11519N
18	4404160168	PARA 11527N
18	4404160169	PARA 11515N
18	4404160170	PARA 11520N
18	4404160171	PARA 11524N
18	4404160172	PARA 11528N
18	4404160173	PARA 11516N
18	4404160174	PARA 11521N

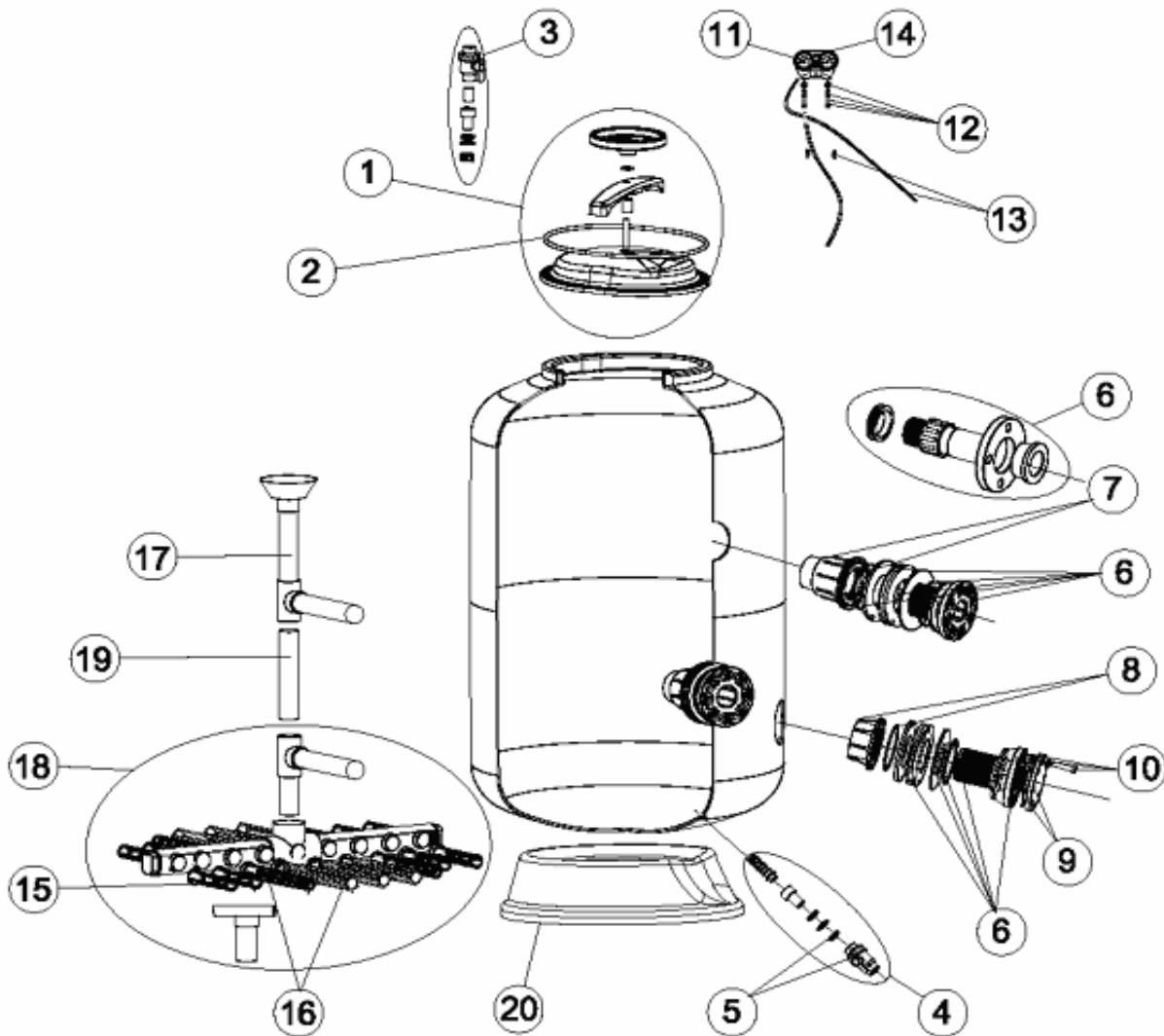
CODE **11511N, 11512N, 11513N, 11514N, 11515N, 11516N, 11517N, 11518N,
 11519N, 11520N, 11521N, 11522N, 11523N, 11524N, 11525N, 11526N,
 11527N, 11528N, 11529N**

DESCRIPTION: **VIC D FILTERS 1050-1200-1400-1600-1800-2000**

18	4404160175	PARA 11525N
18	4404160176	PARA 11529N
19	32131R0440	PARA 11511N
19	32132R0440	PARA 11517N
19	32133R0440	PARA 11526N
19	32134R0440	PARA 11512N
19	32135R0440	PARA 11522N
19	32136R0440	PARA 11513N
19	32137R0440	PARA 11518N
19	32138R0440	PARA 11523N
19	32139R0440	PARA 11514N
19	32140R0440	PARA 11519N
19	32141R0440	PARA 11527N
19	32142R0440	PARA 11515N
19	32143R0440	PARA 11520N
19	32144R0440	PARA 11524N
19	32145R0440	PARA 11528N
19	32146R0440	PARA 11516N
19	32147R0440	PARA 11521N
19	32148R0440	PARA 11525N
19	32149R0440	PARA 11529N
20	00687R0101	PARA 11511N, 11517N, 11526N
20	00546R0101	PARA 11512N, 11522N
20	00689R0101	PARA 11513N, 11518N, 11523N
20	00690R0101	PARA 11514N, 11519N, 11527N
20	00691R0101	PARA 11515N, 11520N, 11524N, 11528N
20	00692R0101	PARA 11516N, 11521N, 11525N, 11529N

CODIGO 11511N, 11512N, 11513N, 11514N, 11515N, 11516N, 11517N, 11518N, 11519N, 11520N, 11521N, 11522N, 11523N, 11524N, 11525N, 11526N, 11527N, 11528N, 11529N

DESCRIPCION: **FILTROS VIC D. 1050-1200-1400-1600-1800-2000**



ESPAÑOL

POS	CODIGO	DESCRIPCION	POS	CODIGO	DESCRIPCION
1	4404161601	TAPA FILTRO	15	*4404160819	BRAZO COLECTOR 11/2" 160 MM.
2	4404161602	JUNTA TAPA	15	*4404160820	BRAZO COLECTOR 11/2" 225 MM.
3	4404161603	PURGA AIRE 1"	15	*4404160821	BRAZO COLECTOR 11/2" 260 MM.
4	4404161604	PURGA AGUA 1"	15	*4404160822	BRAZO COLECTOR 11/2" 325 MM.
5	4404161605	VALVULA UNIBLOCK 1"	15	*4404160823	BRAZO COLECTOR 11/2" 360 MM.
6	*4404161619	CJTO. ENTRADA SALIDA D.63-1050	15	*4404160824	BRAZO COLECTOR 11/2" 425 MM.
6	*4404161606	CJTO. ENTRADA-SALIDA-DESCARGA 75/90	15	*4404160825	BRAZO COLECTOR 11/2" 460 MM.
6	*4404161607	CJTO. ENTRADA-DALIDA 110/125	15	*4404160826	BRAZO COLECTOR 11/2" 525 MM.
6	*4404161608	CJTO. ENTRADA-SALIDA 140/160	16	*4404161615	CJTO. BRAZOS COLECTOR D.1050
7	*4404161609	RACORD INTERIOR 75/90	16	*4404161616	CJTO. BRAZOS COLECTOR D.1200
7	*4404161610	RACORD INTERIOR 110/125	16	*4404161617	CJTO. BRAZOS COLECTOR D.1400
7	*4404161611	RACORD INTERIOR 140/160	16	*4404161618	CJTO. BRAZOS COLECTOR D.1600
8	4404161612	TUERCA DESCARGA ARENA	16	*4404161620	CJTO. BRAZOS COLECTOR D.1800
9	4404161613	BRIDA CIEGA + JUNTA	16	*4404161621	CJTO. BRAZOS COLECTOR D.2000
10	4404161614	TORNILLERIA BRIDA CIEGA	17	*4404160137	CONJUNTO DIFUSOR D. 1050-63
11	4404170102	MANOMETRO 3 ATM.	17	*4404160138	CONJUNTO DIFUSOR D. 1050-75
12	4404170103	PURGA PANEL MANOMETROS	17	*4404160139	CONJUNTO DIFUSOR D. 1050-90
13	4404170104	RACORD PANEL + TUBO	17	*4404160140	CONJUNTO DIFUSOR D. 1200-75
14	4404170105	CUERPO PANEL MANOMETROS	17	*4404160141	CONJUNTO DIFUSOR D. 1200-90

CODIGO 11511N, 11512N, 11513N, 11514N, 11515N, 11516N, 11517N, 11518N, 11519N, 11520N, 11521N, 11522N, 11523N, 11524N, 11525N, 11526N, 11527N, 11528N, 11529N

DESCRIPCION: FILTROS VIC D. 1050-1200-1400-1600-1800-2000

17	* 4404160142	CONJUNTO DIFUSOR D. 1400-75	18	* 4404160173	CONJUNTO COLECTOR D. 2000-110
17	* 4404160143	CONJUNTO DIFUSOR D. 1400-90	18	* 4404160174	CONJUNTO COLECTOR D. 2000-125
17	* 4404160145	CONJUNTO DIFUSOR D. 1400-110	18	* 4404160175	CONJUNTO COLECTOR D. 2000-140
17	* 4404160146	CONJUNTO DIFUSOR D. 1600-90	18	* 4404160176	CONJUNTO COLECTOR D. 2000-160
17	* 4404160148	CONJUNTO DIFUSOR D. 1600-110	19	* 32131R0440	SOPORTE DIFUSOR D 63 - 1050
17	* 4404160149	CONJUNTO DIFUSOR D. 1600-125	19	* 32132R0440	SOPORTE DIFUSOR D 75 - 1050
17	* 4404160150	CONJUNTO DIFUSOR D. 1800-90	19	* 32133R0440	SOPORTE DIFUSOR VIC D.1050-90
17	* 4404160151	CONJUNTO DIFUSOR D. 1800-110	19	* 32134R0440	SOPORTE DIFUSOR D 75 - 1200
17	* 4404160152	CONJUNTO DIFUSOR D. 1800-125	19	* 32135R0440	SOPORTE CONJUNTO DIFUSOR D 90 - 1200
17	* 4404160153	CONJUNTO DIFUSOR D. 1800-140	19	* 32136R0440	SOPORTE DIFUSOR D.75 - 1400
17	* 4404160154	CONJUNTO DIFUSOR D. 2000-110	19	* 32137R0440	SOPORTE DIFUSOR D.90 - 1400
17	* 4404160155	CONJUNTO DIFUSOR D. 2000-125	19	* 32138R0440	SOPORTE DIFUSOR VIC D. 1
17	* 4404160156	CONJUNTO DIFUSOR D. 2000-140	19	* 32139R0440	SOPORTE DIFUSOR VIC D. 1
17	* 4404160157	CONJUNTO DIFUSOR D. 2000-160	19	* 32140R0440	SOPORTE DIFUSOR VIC D. 1
18	* 4404160158	CONJUNTO COLECTOR D. 1050-63	19	* 32141R0440	SOPORTE DIFUSOR VIC D. 1
18	* 4404160159	CONJUNTO COLECTOR D. 1050-75	19	* 32142R0440	SOPORTE DIFUSOR VIC D. 1
18	* 4404160160	CONJUNTO COLECTOR D. 1050-90	19	* 32143R0440	SOPORTE DIFUSOR VIC D. 1
18	* 4404160161	CONJUNTO COLECTOR D. 1200-75	19	* 32144R0440	SOPORTE DIFUSOR VIC D. 1
18	* 4404160162	CONJUNTO COLECTOR D. 1200-90	19	* 32145R0440	SOPORTE DIFUSOR D.140 - 1800
18	* 4404160163	CONJUNTO COLECTOR D. 1400-75	19	* 32146R0440	SOPORTE DIFUSOR VIC D. 2
18	* 4404160164	CONJUNTO COLECTOR D. 1400-90	19	* 32147R0440	SOPORTE DIFUSOR VIC D. 2
18	* 4404160165	CONJUNTO COLECTOR D. 1400-110	19	* 32148R0440	SOPORTE DIFUSOR VIC D. 2
18	* 4404160166	CONJUNTO COLECTOR D. 1600-90	19	* 32149R0440	SOPORTE DIFUSOR VIC D. 2
18	* 4404160167	CONJUNTO COLECTOR D. 1600-110	20	* 00687R0101	PIE FILTRO 1.050
18	* 4404160168	CONJUNTO COLECTOR D. 1600-125	20	* 00546R0101	PIE FILTRO 1200-90
18	* 4404160169	CONJUNTO COLECTOR D. 1800-90	20	* 00689R0101	PIE FILTRO D.1400
18	* 4404160170	CONJUNTO COLECTOR D. 1800-110	20	* 00690R0101	PIE FILTRO 1.600 - 90
18	* 4404160171	CONJUNTO COLECTOR D. 1800-125	20	* 00691R0101	PIE FILTRO 1.800
18	* 4404160172	CONJUNTO COLECTOR D. 1800-140	20	* 00692R0101	PIE FILTRO 2.000 - 110

CODIGO **11511N, 11512N, 11513N, 11514N, 11515N, 11516N, 11517N, 11518N, 11519N, 11520N, 11521N, 11522N, 11523N, 11524N, 11525N, 11526N, 11527N, 11528N, 11529N**

DESCRIPCION: **FILTROS VIC D. 1050-1200-1400-1600-1800-2000**

OBSERVACIONES

POSICIÓN	PIEZA	OBSERVACIÓN
6	4404161619	PARA 11511N
6	4404161606	PARA 11517N, 11526N, 11512N 11522N, 11513N, 11518N, 11514N, 11515N
6	4404161607	PARA 11523N, 11519N, 11527N, 11520N, 11524N, 11516N, 11521N
6	4404161608	PARA 11528N, 11525N, 11529N
7	4404161609	PARA 11517N, 11526N, 11512N 11522N, 11513N, 11518N, 11514N, 11515N
7	4404161610	PARA 11523N, 11519N, 11527N, 11520N, 11524N, 11516N, 11521N
7	4404161611	PARA 11528N, 11525N, 11529N
15	4404160819	PARA (11514N-10) (11519N-10) (11527N-10) (11515N-12) (11520N-12) (11524N-12) 11528N-12)
15	4404160820	PARA (11511N-2) (11517N-2) (11526N-2) (11516N-12) (11521N-12) (11525N-12) (11529N-12)
15	4404160821	PARA (11512N-2) (11522N-2) (11513N-2) (11518N-2) (11523N-2) (11514N-2) (11519N-2) (11527N-2) (11515N-2) (11520N-2) (11524N-2) (11528N-2)
15	4404160822	PARA (11511N-2) (11517N-2) (11526N-2) (11515N-2) (11518N-2) (11523N-2) (11514N-2) (11519N-2) (11527N-2) (11516N-2) (11521N-2) (11525N-2) (11529N-2)
15	4404160823	PARA (11511N-3) (11517N-3) (11526N-3) (11512N-2) (11522N-2) (11514N-3) (11519N-3) (11527N-3) (11515N-2) (11520N-2) (11524N-2) (11527N-2)
15	4404160824	PARA (11512N-2) (11522N-2) (11515N-2) (11520N-2) (11524N-2) (11527N-2) (11516N-2) (11521N-2) (11525N-2) (11529N-2)
15	4404160825	PARA (11512N-1) (11522N-1) (11513N-2) (11518N-2) (11523-2) (11515N-3) (11520N-3) (11524N-3) (11527N-3) (11516N-5) (11521N-5) (11525N-5) (11529N-5)
15	4404160826	PARA (11513N-3) (11518N-3) (11523N-3)
16	4404161615	PARA 11511N, 11517N, 11526N
16	4404161616	PARA 11512N, 11522N
16	4404161617	PARA 11513N, 11518N, 11523N
16	4404161618	PARA 11514N, 11519N, 11527N
16	4404161620	PARA 11515N, 11520N, 11524N, 11528N
16	4404161621	PARA 11516N, 11521N, 11522N, 11529N
17	4404160137	PARA 11511N
17	4404160138	PARA 11517N
17	4404160139	PARA 11526N
17	4404160140	PARA 11512N
17	4404160141	PARA 11522N
17	4404160142	PARA 11513N
17	4404160143	PARA 11518N
17	4404160145	PARA 11523N
17	4404160146	PARA 11514N
17	4404160148	PARA 11519N
17	4404160149	PARA 11527N
17	4404160150	PARA 11515N
17	4404160151	PARA 11520N
17	4404160152	PARA 11524N
17	4404160153	PARA 11528N
17	4404160154	PARA 11516N
17	4404160155	PARA 11521N
17	4404160156	PARA 11525N
17	4404160157	PARA 11529N
18	4404160158	PARA 11511N
18	4404160159	PARA 11517N
18	4404160160	PARA 11526N
18	4404160161	PARA 11512N
18	4404160162	PARA 11522N
18	4404160163	PARA 11513N
18	4404160164	PARA 11518N
18	4404160165	PARA 11523N
18	4404160166	PARA 11514N
18	4404160167	PARA 11519N
18	4404160168	PARA 11527N
18	4404160169	PARA 11515N
18	4404160170	PARA 11520N
18	4404160171	PARA 11524N
18	4404160172	PARA 11528N
18	4404160173	PARA 11516N
18	4404160174	PARA 11521N

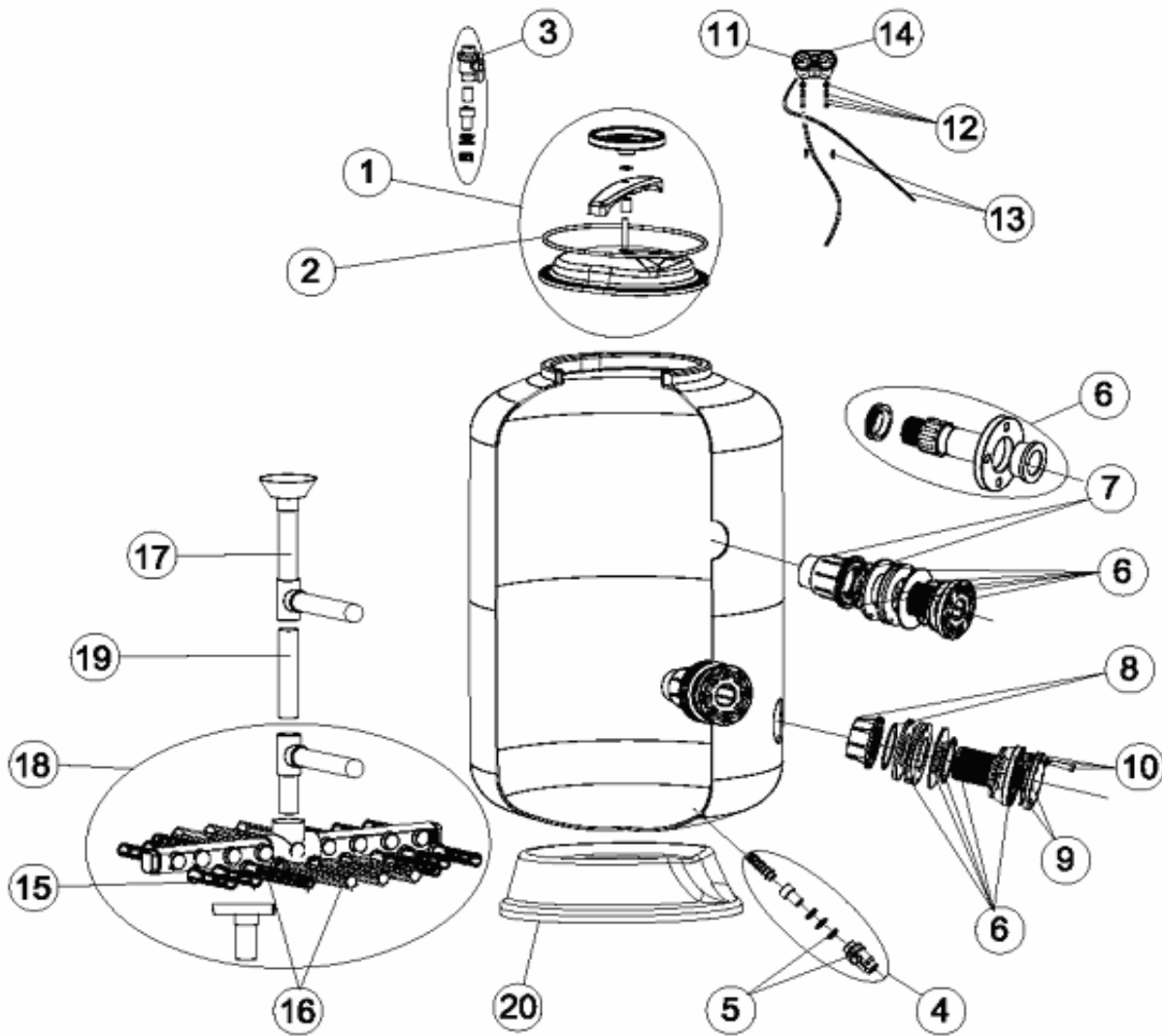
CODIGO **11511N, 11512N, 11513N, 11514N, 11515N, 11516N, 11517N, 11518N,
11519N, 11520N, 11521N, 11522N, 11523N, 11524N, 11525N, 11526N,
11527N, 11528N, 11529N**

DESCRIPCION: **FILTROS VIC D. 1050-1200-1400-1600-1800-2000**

18	4404160175	PARA 11525N
18	4404160176	PARA 11529N
19	32131R0440	PARA 11511N
19	32132R0440	PARA 11517N
19	32133R0440	PARA 11526N
19	32134R0440	PARA 11512N
19	32135R0440	PARA 11522N
19	32136R0440	PARA 11513N
19	32137R0440	PARA 11518N
19	32138R0440	PARA 11523N
19	32139R0440	PARA 11514N
19	32140R0440	PARA 11519N
19	32141R0440	PARA 11527N
19	32142R0440	PARA 11515N
19	32143R0440	PARA 11520N
19	32144R0440	PARA 11524N
19	32145R0440	PARA 11528N
19	32146R0440	PARA 11516N
19	32147R0440	PARA 11521N
19	32148R0440	PARA 11525N
19	32149R0440	PARA 11529N
20	00687R0101	PARA 11511N, 11517N, 11526N
20	00546R0101	PARA 11512N, 11522N
20	00689R0101	PARA 11513N, 11518N, 11523N
20	00690R0101	PARA 11514N, 11519N, 11527N
20	00691R0101	PARA 11515N, 11520N, 11524N, 11528N
20	00692R0101	PARA 11516N, 11521N, 11525N, 11529N

CODE **11511N, 11512N, 11513N, 11514N, 11515N, 11516N, 11517N, 11518N, 11519N, 11520N, 11521N, 11522N, 11523N, 11524N, 11525N, 11526N, 11527N, 11528N, 11529N**

DESCRIPTION: **FILTRES VIC D. 1050-1200-1400-1600-1800-2000**



FRANCAIS

POS	CODE	DESCRIPTION	POS	CODE	DESCRIPTION
1	4404161601	COUVERCLE DE FILTRE	15	*4404160819	"BRAS DE REPARTITEUR 11/2" 160 M.M."
2	4404161602	JOINT DE COUVERCLE	15	*4404160820	"BRAS DE REPARTITEUR 11/2" 225 M.M."
3	4404161603	"PURGE D'AIR 1""	15	*4404160821	"BRAS DE REPARTITEUR 11/2" 260 M.M."
4	4404161604	"PURGE D'EAU 1""	15	*4404160822	"BRAS DE REPARTITEUR 11/2" 325 M.M."
5	4404161605	"CLAPET UNIBLOCK 1""	15	*4404160823	"BRAS DE REPARTITEUR 11/2" 380 M.M."
6	*4404161619	ENTRÉE SORTIE D.63-1050	15	*4404160824	"BRAS DE REPARTITEUR 11/2" 425 M.M."
6	*4404161606	ENSEMBLE ENTRÉE/SORTIE/DÉCHARGE SABLE 75/90	15	*4404160825	"BRAS DE REPARTITEUR 11/2" 460 M.M."
6	*4404161607	ENSEMBLE ENTREE/SORTIE 110/125	15	*4404160826	"BRAS DE REPARTITEUR 11/2" 525 M.M."
6	*4404161608	ENSEMBLE ENTREE/SORTIE 140/160	16	*4404161615	ENSEMBLE BRAS DE REPARTITEUR D. 1050
7	*4404161609	RACCORD INTÉRIEUR 75/90	16	*4404161616	ENSEMBLE BRAS DE REPARTITEUR D. 1200
7	*4404161610	RACCORD INTÉRIEUR 110/125	16	*4404161617	ENSEMBLE BRAS DE REPARTITEUR D. 1400
7	*4404161611	RACCORD INTÉRIEUR 140/160	16	*4404161618	ENSEMBLE BRAS DE REPARTITEUR D. 1600
8	4404161612	ECROU DÉCHARGE DU SABLE	16	*4404161620	ENSEMBLE BRAS DE REPARTITEUR D. 1800
9	4404161613	PLAQUE PLEINE POUR VIDANGE SABLE + JOINT	16	*4404161621	ENSEMBLE BRAS DE REPARTITEUR D. 2000
10	4404161614	VISSERIE DÉCHARGE DU SABLE	17	*4404160137	ENSEMBLE DIFFUSEUR D. 1050-63
11	4404170102	MANOMETRE 3 BARS	17	*4404160138	ENSEMBLE DIFFUSEUR D. 1050-75
12	4404170103	PURGE D'AIR	17	*4404160139	ENSEMBLE DIFFUSEUR D. 1050-90
13	4404170104	RACCORD FACADE + TUBE	17	*4404160140	ENSEMBLE DIFFUSEUR D. 1200-75
14	4404170105	CORPS FACADE MANOMETRES	17	*4404160141	ENSEMBLE DIFFUSEUR D. 1200-90

CODE **11511N, 11512N, 11513N, 11514N, 11515N, 11516N, 11517N, 11518N,**
11519N, 11520N, 11521N, 11522N, 11523N, 11524N, 11525N, 11526N,
11527N, 11528N, 11529N

DESCRIPTION: FILTERS VIC D. 1050-1200-1400-1600-1800-2000

17	* 4404160142	ENSEMBLE DIFFUSEUR D. 1400-75	18	* 4404160173	ENSEMBLE COLLECTEUR D. 2000-110
17	* 4404160143	ENSEMBLE DIFFUSEUR D. 1400-90	18	* 4404160174	ENSEMBLE COLLECTEUR D. 2000-125
17	* 4404160145	ENSEMBLE DIFFUSEUR D. 1400-110	18	* 4404160175	ENSEMBLE COLLECTEUR D. 2000-140
17	* 4404160146	ENSEMBLE DIFFUSEUR D. 1600-90	18	* 4404160176	ENSEMBLE COLLECTEUR D. 2000-160
17	* 4404160148	ENSEMBLE DIFFUSEUR D. 1600-110	19	* 32131R0440	SUPPORT ENSEMBLE DIFFUSEUR D.63 -1050
17	* 4404160149	ENSEMBLE DIFFUSEUR D. 1600-125	19	* 32132R0440	SUPPORT ENSEMBLE DIFFUSEUR D.75 -1050
17	* 4404160150	ENSEMBLE DIFFUSEUR D. 1800-90	19	* 32133R0440	SUPPORT ENSEMBLE DIFFUSEUR D.90 -1050
17	* 4404160151	ENSEMBLE DIFFUSEUR D. 1800-110	19	* 32134R0440	SUPPORT ENSEMBLE DIFFUSEUR D.75 -1200
17	* 4404160152	ENSEMBLE DIFFUSEUR D. 1800-125	19	* 32135R0440	SUPPORT ENSEMBLE DIFFUSEUR D.90 -1200
17	* 4404160153	ENSEMBLE DIFFUSEUR D. 1800-140	19	* 32136R0440	SUPPORT ENSEMBLE DIFFUSEUR D.75 -1400
17	* 4404160154	ENSEMBLE DIFFUSEUR D. 2000-110	19	* 32137R0440	SUPPORT ENSEMBLE DIFFUSEUR D.90 -1400
17	* 4404160155	ENSEMBLE DIFFUSEUR D. 2000-125	19	* 32138R0440	SUPPORT ENSEMBLE DIFFUSEUR D.110 -1400
17	* 4404160156	ENSEMBLE DIFFUSEUR D. 2000-140	19	* 32139R0440	SUPPORT ENSEMBLE DIFFUSEUR D.90 -1600
17	* 4404160157	ENSEMBLE DIFFUSEUR D. 2000-160	19	* 32140R0440	SUPPORT ENSEMBLE DIFFUSEUR D.110 -1600
18	* 4404160158	ENSEMBLE COLLECTEUR D. 1050-63	19	* 32141R0440	SUPPORT ENSEMBLE DIFFUSEUR D.125 -1600
18	* 4404160159	ENSEMBLE COLLECTEUR D. 1050-75	19	* 32142R0440	SUPPORT ENSEMBLE DIFFUSEUR D.90 -1800
18	* 4404160160	ENSEMBLE COLLECTEUR D. 1050-90	19	* 32143R0440	SUPPORT ENSEMBLE DIFFUSEUR D.110 -1800
18	* 4404160161	ENSEMBLE COLLECTEUR D. 1200-75	19	* 32144R0440	SUPPORT ENSEMBLE DIFFUSEUR D.125 -1800
18	* 4404160162	ENSEMBLE COLLECTEUR D. 1200-90	19	* 32145R0440	SUPPORT ENSEMBLE DIFFUSEUR D.140 -1800
18	* 4404160163	ENSEMBLE COLLECTEUR D. 1400-75	19	* 32146R0440	SUPPORT ENSEMBLE DIFFUSEUR D.110 -2000
18	* 4404160164	ENSEMBLE COLLECTEUR D. 1400-90	19	* 32147R0440	SUPPORT ENSEMBLE DIFFUSEUR D.125 -2000
18	* 4404160165	ENSEMBLE COLLECTEUR D. 1400-110	19	* 32148R0440	SUPPORT ENSEMBLE DIFFUSEUR D.140 -2000
18	* 4404160166	ENSEMBLE COLLECTEUR D. 1600-90	19	* 32149R0440	SUPPORT ENSEMBLE DIFFUSEUR D.160 -2000
18	* 4404160167	ENSEMBLE COLLECTEUR D. 1600-110	20	* 00687R0101	SOCLE D.1050
18	* 4404160168	ENSEMBLE COLLECTEUR D. 1600-125	20	* 00546R0101	SOCLE D.1200
18	* 4404160169	ENSEMBLE COLLECTEUR D. 1800-90	20	* 00689R0101	SOCLE D.1400
18	* 4404160170	ENSEMBLE COLLECTEUR D. 1800-110	20	* 00690R0101	SOCLE D.1600
18	* 4404160171	ENSEMBLE COLLECTEUR D. 1800-125	20	* 00691R0101	SOCLE D.1800
18	* 4404160172	ENSEMBLE COLLECTEUR D. 1800-140	20	* 00692R0101	SOCLE D.2000

CODE **11511N, 11512N, 11513N, 11514N, 11515N, 11516N, 11517N, 11518N, 11519N, 11520N, 11521N, 11522N, 11523N, 11524N, 11525N, 11526N, 11527N, 11528N, 11529N**

DESCRIPTION: **FILTRES VIC D. 1050-1200-1400-1600-1800-2000**

OBSERVATIONS

POSICIÓN	PIEZA	OBSERVACIÓN
6	4404161619	PARA 11511N
6	4404161606	PARA 11517N, 11526N, 11512N 11522N, 11513N, 11518N, 11514N, 11515N
6	4404161607	PARA 11523N, 11519N, 11527N, 11520N, 11524N, 11516N, 11521N
6	4404161608	PARA 11528N, 11525N, 11529N
7	4404161609	PARA 11517N, 11526N, 11512N 11522N, 11513N, 11518N, 11514N, 11515N
7	4404161610	PARA 11523N, 11519N, 11527N, 11520N, 11524N, 11516N, 11521N
7	4404161611	PARA 11528N, 11525N, 11529N
15	4404160819	PARA (11514N-10) (11519N-10) (11527N-10) (11515N-12) (11520N-12) (11524N-12) 11528N-12)
15	4404160820	PARA (11511N-2) (11517N-2) (11526N-2) (11516N-12) (11521N-12) (11525N-12) (11529N-12)
15	4404160821	PARA (11512N-2) (11522N-2) (11513N-2) (11518N-2) (11523N-2) (11514N-2) (11519N-2) (11527N-2) (11515N-2) (11520N-2) (11524N-2) (11528N-2)
15	4404160822	PARA (11511N-2) (11517N-2) (11526N-2) (11515N-2) (11518N-2) (11523N-2) (11514N-2) (11519N-2) (11527N-2) (11516N-2) (11521N-2) (11525N-2) (11529N-2)
15	4404160823	PARA (11511N-3) (11517N-3) (11526N-3) (11512N-2) (11522N-2) (11514N-3) (11519N-3) (11527N-3) (11515N-2) (11520N-2) (11524N-2) (11527N-2)
15	4404160824	PARA (11512N-2) (11522N-2) (11515N-2) (11520N-2) (11524N-2) (11527N-2) (11516N-2) (11521N-2) (11525N-2) (11529N-2)
15	4404160825	PARA (11512N-1) (11522N-1) (11513N-2) (11518N-2) (11523-2) (11515N-3) (11520N-3) (11524N-3) (11527N-3) (11516N-5) (11521N-5) (11525N-5) (11529N-5)
15	4404160826	PARA (11513N-3) (11518N-3) (11523N-3)
16	4404161615	PARA 11511N, 11517N, 11526N
16	4404161616	PARA 11512N, 11522N
16	4404161617	PARA 11513N, 11518N, 11523N
16	4404161618	PARA 11514N, 11519N, 11527N
16	4404161620	PARA 11515N, 11520N, 11524N, 11528N
16	4404161621	PARA 11516N, 11521N, 11522N, 11529N
17	4404160137	PARA 11511N
17	4404160138	PARA 11517N
17	4404160139	PARA 11526N
17	4404160140	PARA 11512N
17	4404160141	PARA 11522N
17	4404160142	PARA 11513N
17	4404160143	PARA 11518N
17	4404160145	PARA 11523N
17	4404160146	PARA 11514N
17	4404160148	PARA 11519N
17	4404160149	PARA 11527N
17	4404160150	PARA 11515N
17	4404160151	PARA 11520N
17	4404160152	PARA 11524N
17	4404160153	PARA 11528N
17	4404160154	PARA 11516N
17	4404160155	PARA 11521N
17	4404160156	PARA 11525N
17	4404160157	PARA 11529N
18	4404160158	PARA 11511N
18	4404160159	PARA 11517N
18	4404160160	PARA 11526N
18	4404160161	PARA 11512N
18	4404160162	PARA 11522N
18	4404160163	PARA 11513N
18	4404160164	PARA 11518N
18	4404160165	PARA 11523N
18	4404160166	PARA 11514N
18	4404160167	PARA 11519N
18	4404160168	PARA 11527N
18	4404160169	PARA 11515N
18	4404160170	PARA 11520N
18	4404160171	PARA 11524N
18	4404160172	PARA 11528N
18	4404160173	PARA 11516N
18	4404160174	PARA 11521N

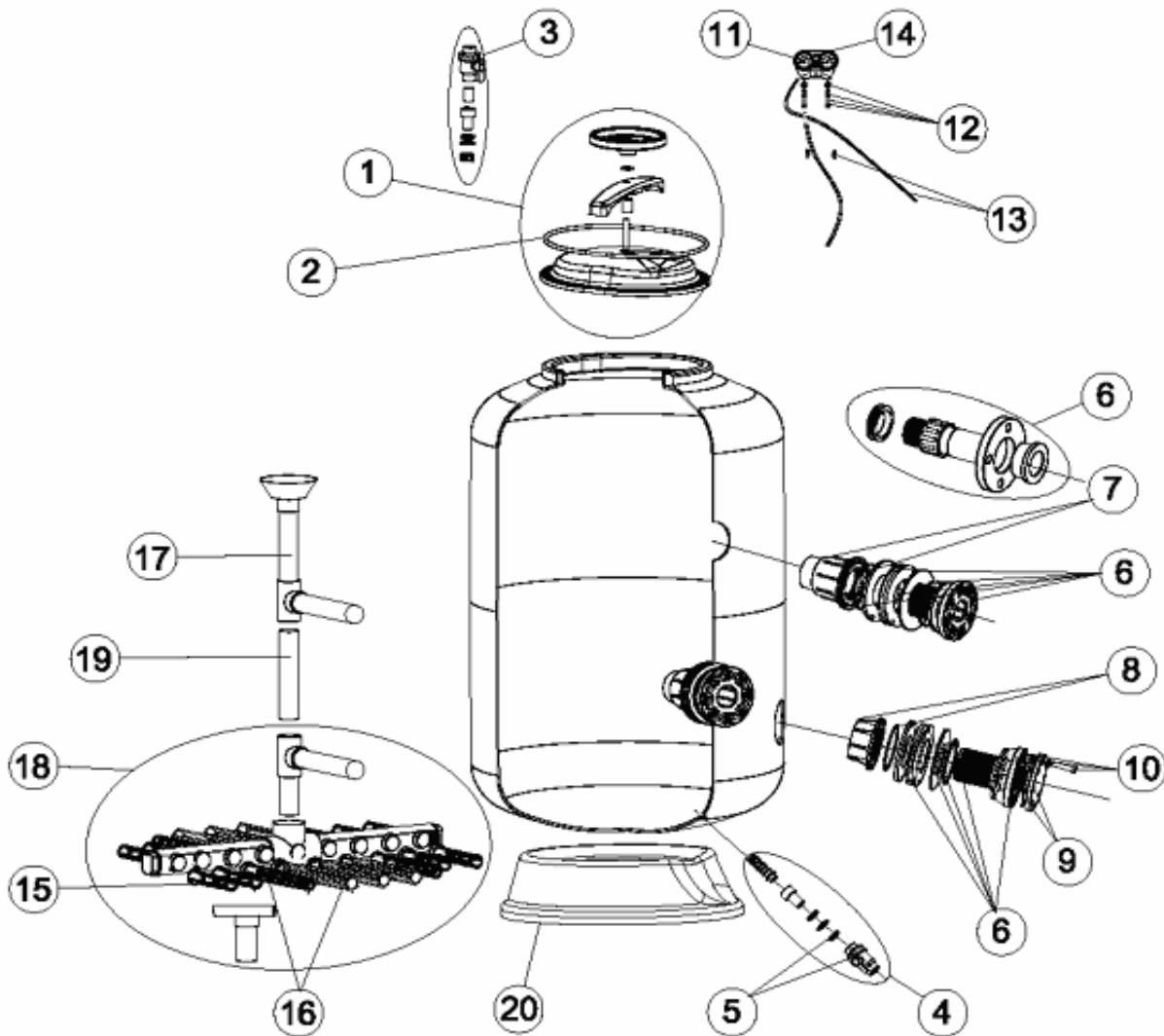
CODE **11511N, 11512N, 11513N, 11514N, 11515N, 11516N, 11517N, 11518N,
 11519N, 11520N, 11521N, 11522N, 11523N, 11524N, 11525N, 11526N,
 11527N, 11528N, 11529N**

DESCRIPTION: **FILTRES VIC D. 1050-1200-1400-1600-1800-2000**

18	4404160175	PARA 11525N
18	4404160176	PARA 11529N
19	32131R0440	PARA 11511N
19	32132R0440	PARA 11517N
19	32133R0440	PARA 11526N
19	32134R0440	PARA 11512N
19	32135R0440	PARA 11522N
19	32136R0440	PARA 11513N
19	32137R0440	PARA 11518N
19	32138R0440	PARA 11523N
19	32139R0440	PARA 11514N
19	32140R0440	PARA 11519N
19	32141R0440	PARA 11527N
19	32142R0440	PARA 11515N
19	32143R0440	PARA 11520N
19	32144R0440	PARA 11524N
19	32145R0440	PARA 11528N
19	32146R0440	PARA 11516N
19	32147R0440	PARA 11521N
19	32148R0440	PARA 11525N
19	32149R0440	PARA 11529N
20	00687R0101	PARA 11511N, 11517N, 11526N
20	00546R0101	PARA 11512N, 11522N
20	00689R0101	PARA 11513N, 11518N, 11523N
20	00690R0101	PARA 11514N, 11519N, 11527N
20	00691R0101	PARA 11515N, 11520N, 11524N, 11528N
20	00692R0101	PARA 11516N, 11521N, 11525N, 11529N

CODICE **11511N, 11512N, 11513N, 11514N, 11515N, 11516N, 11517N, 11518N, 11519N, 11520N, 11521N, 11522N, 11523N, 11524N, 11525N, 11526N, 11527N, 11528N, 11529N**

DESCRIZIONE: **FILTRI VIC. D. 1050-1200-1400-1600-1800-2000**



ITALIANO

POS	CODICE	DESCRIZIONE	POS	CODICE	DESCRIZIONE
1	4404161601	COPERCHIO FILTRO	15	*4404160819	"CANDELOTTO COLLECTORE 11/2" 160 M/M."
2	4404161602	GUARNIZIONE COPERCHIO	15	*4404160820	"CANDELOTTO COLLECTORE 11/2" 225 M/M."
3	4404161603	*SFIATO ARIA 1"	15	*4404160821	"CANDELOTTO COLLECTORE 11/2" 260 M/M."
4	4404161604	*SCARICO ACQUA 1"	15	*4404160822	"CANDELOTTO COLLECTORE 11/2" 325 M/M."
5	4404161605	*VALVOLA UNIBLOCK 1"	15	*4404160823	"CANDELOTTO COLLECTORE 11/2" 380 M/M."
6	*4404161619	KIT ENTRATA USCITA D.63-1050	15	*4404160824	"CANDELOTTO COLLECTORE 11/2" 425 M/M."
6	*4404161606	GRUPPO ENTRATA/USCITA/SCARICA SABBIA 75/90	15	*4404160825	"CANDELOTTO COLLECTORE 11/2" 460 M/M."
6	*4404161607	GRUPPO ENTRATA/USCITA 110/125	15	*4404160826	"CANDELOTTO COLLECTORE 11/2" 525 M/M."
6	*4404161608	GRUPPO ENTRATA/USCITA 140/160	16	*4404161615	GRUPPO CANDELOTTO COLLECTORE D. 1050
7	*4404161609	RACCORDO INTERNO 75/90	16	*4404161616	GRUPPO CANDELOTTO COLLECTORE D. 1200
7	*4404161610	RACCORDO INTERNO 110/125	16	*4404161617	GRUPPO CANDELOTTO COLLECTORE D. 1400
7	*4404161611	RACCORDO INTERNO	16	*4404161618	GRUPPO CANDELOTTO COLLECTORE D. 1600
8	4404161612	DADO SCARICA SABBIA	16	*4404161620	GRUPPO CANDELOTTO COLLECTORE D. 1800
9	4404161613	FLANGIA CIECA + GUARNIZIONE	16	*4404161621	GRUPPO CANDELOTTO COLLECTORE D. 2000
10	4404161614	BULLONERIA FLANGIA CIECA	17	*4404160137	RACCORDO DIFFUSORE D. 1050-63
11	4404170102	MANOMETRO 3 ATM	17	*4404160138	RACCORDO DIFFUSORE D. 1050-75
12	4404170103	SFIATO PANNELLO MANOMETRI	17	*4404160139	RACCORDO DIFFUSORE D. 1050-90
13	4404170104	RACCORDO PANNELLO + TUBO	17	*4404160140	RACCORDO DIFFUSORE D. 1200-75
14	4404170105	CORPO PANNELLO MANOMETRI	17	*4404160141	RACCORDO DIFFUSORE D. 1200-90

CODICE **11511N, 11512N, 11513N, 11514N, 11515N, 11516N, 11517N, 11518N,
11519N, 11520N, 11521N, 11522N, 11523N, 11524N, 11525N, 11526N,
11527N, 11528N, 11529N**

DESCRIZIONE: **FILTRI VIC. D. 1050-1200-1400-1600-1800-2000**

17	* 4404160142	RACCORDO DIFFUSORE D. 1400-75	18	* 4404160173	KIT COLLETTORE D. 2000-110
17	* 4404160143	RACCORDO DIFFUSORE D. 1400-90	18	* 4404160174	KIT COLLETTORE D. 2000-125
17	* 4404160145	RACCORDO DIFFUSORE D. 1400-110	18	* 4404160175	KIT COLLETTORE D. 2000-140
17	* 4404160146	RACCORDO DIFFUSORE D. 1600-90	18	* 4404160176	KIT COLLETTORE D. 2000-160
17	* 4404160148	RACCORDO DIFFUSORE D. 1600-110	19	* 32131R0440	KIT SUPPORTO DIFFUSORE D.63 -1050
17	* 4404160149	RACCORDO DIFFUSORE D. 1600-125	19	* 32132R0440	KIT SUPPORTO DIFFUSORE D.75 -1050
17	* 4404160150	RACCORDO DIFFUSORE D. 1800-90	19	* 32133R0440	KIT SUPPORTO DIFFUSORE D.90 -1050
17	* 4404160151	RACCORDO DIFFUSORE D. 1800-110	19	* 32134R0440	KIT SUPPORTO DIFFUSORE D.75 -1200
17	* 4404160152	RACCORDO DIFFUSORE D. 1800-125	19	* 32135R0440	KIT SUPPORTO DIFFUSORE D.90 -1200
17	* 4404160153	RACCORDO DIFFUSORE D. 1800-140	19	* 32136R0440	KIT SUPPORTO DIFFUSORE D.75 -1400
17	* 4404160154	RACCORDO DIFFUSORE D. 2000-110	19	* 32137R0440	KIT SUPPORTO DIFFUSORE D.90 -1400
17	* 4404160155	RACCORDO DIFFUSORE D. 2000-125	19	* 32138R0440	KIT SUPPORTO DIFFUSORE D.110 -1400
17	* 4404160156	RACCORDO DIFFUSORE D. 2000-140	19	* 32139R0440	KIT SUPPORTO DIFFUSORE D.90 -1600
17	* 4404160157	RACCORDO DIFFUSORE D. 2000-160	19	* 32140R0440	KIT SUPPORTO DIFFUSORE D.110 -1600
18	* 4404160158	KIT COLLETTORE D. 1050-63	19	* 32141R0440	KIT SUPPORTO DIFFUSORE D.125 -1600
18	* 4404160159	KIT COLLETTORE D. 1050-75	19	* 32142R0440	KIT SUPPORTO DIFFUSORE D.90 -1800
18	* 4404160160	KIT COLLETTORE D. 1050-90	19	* 32143R0440	KIT SUPPORTO DIFFUSORE D.110 -1800
18	* 4404160161	KIT COLLETTORE D. 1200-75	19	* 32144R0440	KIT SUPPORTO DIFFUSORE D.125 -1800
18	* 4404160162	KIT COLLETTORE D. 1200-90	19	* 32145R0440	KIT SUPPORTO DIFFUSORE D.140 -1800
18	* 4404160163	KIT COLLETTORE D. 1400-75	19	* 32146R0440	KIT SUPPORTO DIFFUSORE D.110 -2000
18	* 4404160164	KIT COLLETTORE D. 1400-90	19	* 32147R0440	KIT SUPPORTO DIFFUSORE D.125 -2000
18	* 4404160165	KIT COLLETTORE D. 1400-110	19	* 32148R0440	KIT SUPPORTO DIFFUSORE D.140 -2000
18	* 4404160166	KIT COLLETTORE D. 1600-90	19	* 32149R0440	KIT SUPPORTO DIFFUSORE D.160 -2000
18	* 4404160167	KIT COLLETTORE D. 1600-110	20	* 00687R0101	BASE FILTRO D 1050
18	* 4404160168	KIT COLLETTORE D. 1600-125	20	* 00546R0101	BASE FILTRO D 1200-90
18	* 4404160169	KIT COLLETTORE D. 1800-90	20	* 00689R0101	BASE FILTRO D 1400
18	* 4404160170	KIT COLLETTORE D. 1800-110	20	* 00690R0101	BASE FILTRO D 1600-90
18	* 4404160171	KIT COLLETTORE D. 1800-125	20	* 00691R0101	BASE FILTRO D 1800
18	* 4404160172	KIT COLLETTORE D. 1800-140	20	* 00692R0101	BASE FILTRO 2000-110

CODICE **11511N, 11512N, 11513N, 11514N, 11515N, 11516N, 11517N, 11518N, 11519N, 11520N, 11521N, 11522N, 11523N, 11524N, 11525N, 11526N, 11527N, 11528N, 11529N**

DESCRIZIONE: **FILTRI VIC. D. 1050-1200-1400-1600-1800-2000**

OSSERVAZIONI

POSICIÓN	PIEZA	OBSERVACIÓN
6	4404161619	PARA 11511N
6	4404161606	PARA 11517N, 11526N, 11512N 11522N, 11513N, 11518N, 11514N, 11515N
6	4404161607	PARA 11523N, 11519N, 11527N, 11520N, 11524N, 11516N, 11521N
6	4404161608	PARA 11528N, 11525N, 11529N
7	4404161609	PARA 11517N, 11526N, 11512N 11522N, 11513N, 11518N, 11514N, 11515N
7	4404161610	PARA 11523N, 11519N, 11527N, 11520N, 11524N, 11516N, 11521N
7	4404161611	PARA 11528N, 11525N, 11529N
15	4404160819	PARA (11514N-10) (11519N-10) (11527N-10) (11515N-12) (11520N-12) (11524N-12) 11528N-12)
15	4404160820	PARA (11511N-2) (11517N-2) (11526N-2) (11516N-12) (11521N-12) (11525N-12) (11529N-12)
15	4404160821	PARA (11512N-2) (11522N-2) (11513N-2) (11518N-2) (11523N-2) (11514N-2) (11519N-2) (11527N-2) (11515N-2) (11520N-2) (11524N-2) (11528N-2)
15	4404160822	PARA (11511N-2) (11517N-2) (11526N-2) (11515N-2) (11518N-2) (11523N-2) (11514N-2) (11519N-2) (11527N-2) (11516N-2) (11521N-2) (11525N-2) (11529N-2)
15	4404160823	PARA (11511N-3) (11517N-3) (11526N-3) (11512N-2) (11522N-2) (11514N-3) (11519N-3) (11527N-3) (11515N-2) (11520N-2) (11524N-2) (11527N-2)
15	4404160824	PARA (11512N-2) (11522N-2) (11515N-2) (11520N-2) (11524N-2) (11527N-2) (11516N-2) (11521N-2) (11525N-2) (11529N-2)
15	4404160825	PARA (11512N-1) (11522N-1) (11513N-2) (11518N-2) (11523-2) (11515N-3) (11520N-3) (11524N-3) (11527N-3) (11516N-5) (11521N-5) (11525N-5) (11529N-5)
15	4404160826	PARA (11513N-3) (11518N-3) (11523N-3)
16	4404161615	PARA 11511N, 11517N, 11526N
16	4404161616	PARA 11512N, 11522N
16	4404161617	PARA 11513N, 11518N, 11523N
16	4404161618	PARA 11514N, 11519N, 11527N
16	4404161620	PARA 11515N, 11520N, 11524N, 11528N
16	4404161621	PARA 11516N, 11521N, 11522N, 11529N
17	4404160137	PARA 11511N
17	4404160138	PARA 11517N
17	4404160139	PARA 11526N
17	4404160140	PARA 11512N
17	4404160141	PARA 11522N
17	4404160142	PARA 11513N
17	4404160143	PARA 11518N
17	4404160145	PARA 11523N
17	4404160146	PARA 11514N
17	4404160148	PARA 11519N
17	4404160149	PARA 11527N
17	4404160150	PARA 11515N
17	4404160151	PARA 11520N
17	4404160152	PARA 11524N
17	4404160153	PARA 11528N
17	4404160154	PARA 11516N
17	4404160155	PARA 11521N
17	4404160156	PARA 11525N
17	4404160157	PARA 11529N
18	4404160158	PARA 11511N
18	4404160159	PARA 11517N
18	4404160160	PARA 11526N
18	4404160161	PARA 11512N
18	4404160162	PARA 11522N
18	4404160163	PARA 11513N
18	4404160164	PARA 11518N
18	4404160165	PARA 11523N
18	4404160166	PARA 11514N
18	4404160167	PARA 11519N
18	4404160168	PARA 11527N
18	4404160169	PARA 11515N
18	4404160170	PARA 11520N
18	4404160171	PARA 11524N
18	4404160172	PARA 11528N
18	4404160173	PARA 11516N
18	4404160174	PARA 11521N

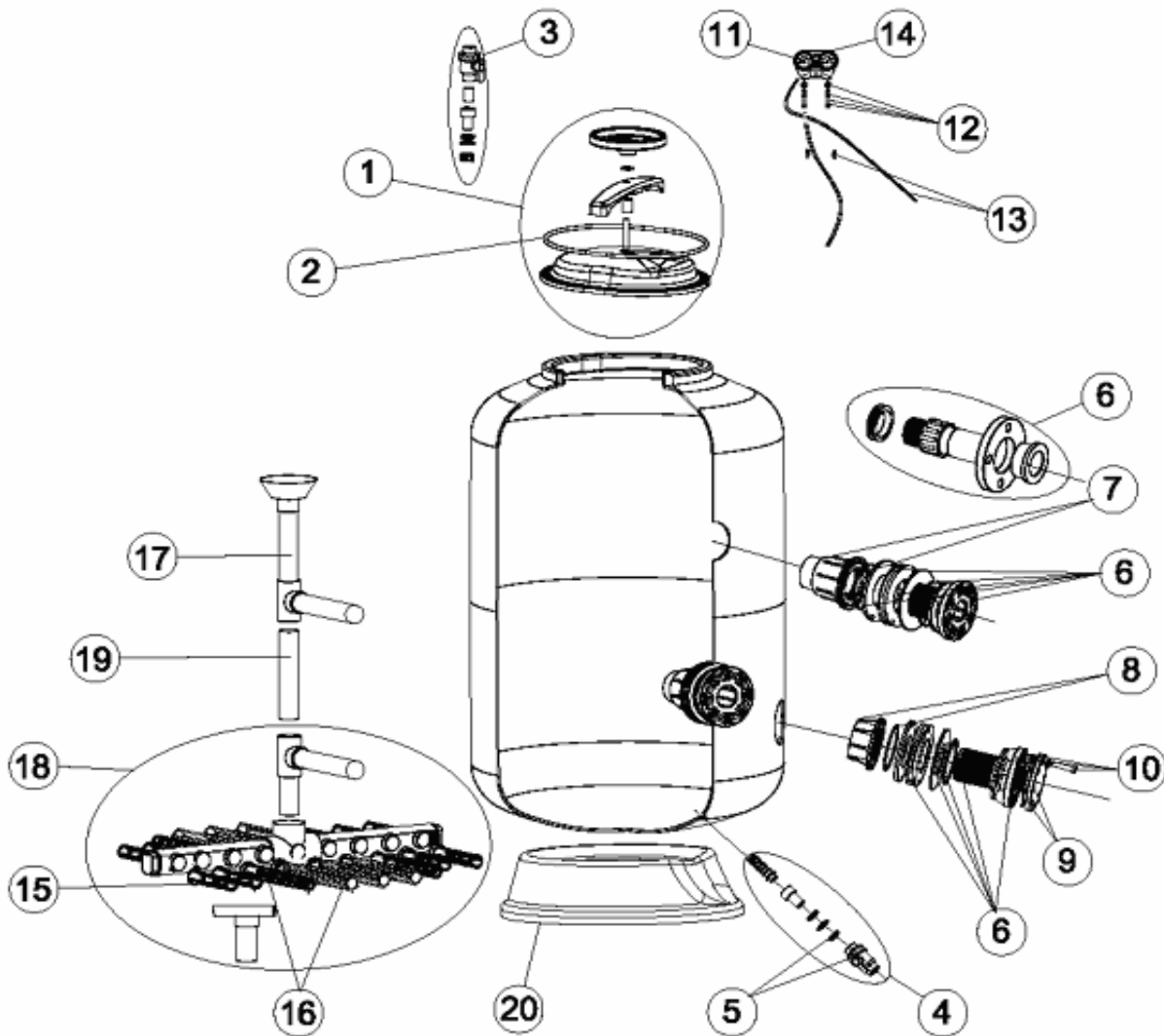
CODICE **11511N, 11512N, 11513N, 11514N, 11515N, 11516N, 11517N, 11518N,
11519N, 11520N, 11521N, 11522N, 11523N, 11524N, 11525N, 11526N,
11527N, 11528N, 11529N**

DESCRIZIONE: **FILTRI VIC. D. 1050-1200-1400-1600-1800-2000**

18	4404160175	PARA 11525N
18	4404160176	PARA 11529N
19	32131R0440	PARA 11511N
19	32132R0440	PARA 11517N
19	32133R0440	PARA 11526N
19	32134R0440	PARA 11512N
19	32135R0440	PARA 11522N
19	32136R0440	PARA 11513N
19	32137R0440	PARA 11518N
19	32138R0440	PARA 11523N
19	32139R0440	PARA 11514N
19	32140R0440	PARA 11519N
19	32141R0440	PARA 11527N
19	32142R0440	PARA 11515N
19	32143R0440	PARA 11520N
19	32144R0440	PARA 11524N
19	32145R0440	PARA 11528N
19	32146R0440	PARA 11516N
19	32147R0440	PARA 11521N
19	32148R0440	PARA 11525N
19	32149R0440	PARA 11529N
20	00687R0101	PARA 11511N, 11517N, 11526N
20	00546R0101	PARA 11512N, 11522N
20	00689R0101	PARA 11513N, 11518N, 11523N
20	00690R0101	PARA 11514N, 11519N, 11527N
20	00691R0101	PARA 11515N, 11520N, 11524N, 11528N
20	00692R0101	PARA 11516N, 11521N, 11525N, 11529N

CODIGO 11511N, 11512N, 11513N, 11514N, 11515N, 11516N, 11517N, 11518N, 11519N, 11520N, 11521N, 11522N, 11523N, 11524N, 11525N, 11526N, 11527N, 11528N, 11529N

DESCRIÇÃO: **FILTROS VIC D. 1050-1200-1400-1600-1800-200**



PORTUGUES

POS	CODIGO	DESCRIÇÃO	POS	CODIGO	DESCRIÇÃO
1	4404161601	TAMPA FILTRO	15	*4404160819	"BRAÇO COLECTOR 11/2" 160 M/M."
2	4404161602	JUNTA TAMPA	15	*4404160820	"BRAÇO COLECTOR 11/2" 225 M/M."
3	4404161603	*"PURGA AREIA 1"***	15	*4404160821	"BRAÇO COLECTOR 11/2" 260 M/M."
4	4404161604	*"PURGA ÁGUA 1"***	15	*4404160822	"BRAÇO COLECTOR 11/2" 325 M/M."
5	4404161605	*"VÁLVULA UNIBLOCK 1"***	15	*4404160823	"BRAÇO COLECTOR 11/2" 360 M/M."
6	*4404161619	CJTO. ENTRADA/SAÍDA D.63-1050	15	*4404160824	"BRAÇO COLECTOR 11/2" 425 M/M."
6	*4404161606	CONJUNTO ENTRADA/SAÍDA/DSCARREGAAREIA 75/90	15	*4404160825	"BRAÇO COLECTOR 11/2" 460 M/M."
6	*4404161607	CONJUNTO ENTRADA/SAÍDA 110/125	15	*4404160826	"BRAÇO COLECTOR 11/2" 525 M/M."
6	*4404161608	CONJUNTO ENTRADA/SAÍDA 140/160	16	*4404161615	CJTO. BRAÇO COLECTOR D.1050
7	*4404161609	RACORD INTERIOR 75/90	16	*4404161616	CJTO. BRAÇO COLECTOR D.1200
7	*4404161610	RACORD INTERIOR 110/125	16	*4404161617	CJTO. BRAÇO COLECTOR D.1400
7	*4404161611	RACORD INTERIOR 140/160	16	*4404161618	CJTO. BRAÇO COLECTOR D.1600
8	4404161612	PORCA DESCARREGA AREIA	16	*4404161620	CJTO. BRAÇO COLECTOR D.1800
9	4404161613	FLANGE CEGA + JUNTA	16	*4404161621	CJTO. BRAÇO COLECTOR D.2000
10	4404161614	PARAFUSOS DA FLANGE CEGA	17	*4404160137	CJTO. DIFUSOR D. 1050-63
11	4404170102	MANÓMETRO 3 ATM	17	*4404160138	CJTO. DIFUSOR D. 1050-75
12	4404170103	PURGA PAINEL MANÓMETROS	17	*4404160139	CJTO. DIFUSOR D. 1050-90
13	4404170104	RACORD PAINEL + TUBO	17	*4404160140	CJTO. DIFUSOR D. 1200-75
14	4404170105	CORPO PAINEL MANÓMETRO	17	*4404160141	CJTO. DIFUSOR D. 1200-90

CODIGO **11511N, 11512N, 11513N, 11514N, 11515N, 11516N, 11517N, 11518N, 11519N, 11520N, 11521N, 11522N, 11523N, 11524N, 11525N, 11526N, 11527N, 11528N, 11529N**

DESCRIÇÃO: **FILTROS VIC D. 1050-1200-1400-1600-1800-200**

17	* 4404160142	CJTO. DIFUSOR D. 1400-75	18	* 4404160173	CJTO. COLECTOR D. 2000-110
17	* 4404160143	CJTO. DIFUSOR D. 1400-90	18	* 4404160174	CJTO. COLECTOR D. 2000-125
17	* 4404160145	CJTO. DIFUSOR D. 1400-110	18	* 4404160175	CJTO. COLECTOR D. 2000-140
17	* 4404160146	CJTO. DIFUSOR D. 1600-90	18	* 4404160176	CJTO. COLECTOR D. 2000-160
17	* 4404160148	CJTO. DIFUSOR D. 1600-110	19	* 32131R0440	SUPORTE CJTO. DIFUSOR D.63- 1050
17	* 4404160149	CJTO. DIFUSOR D. 1600-125	19	* 32132R0440	SUPORTE CJTO. DIFUSOR D.75- 1050
17	* 4404160150	CJTO. DIFUSOR D. 1800-90	19	* 32133R0440	SUPORTE CJTO. DIFUSOR D.90-1050
17	* 4404160151	CJTO. DIFUSOR D. 1800-110	19	* 32134R0440	SUPORTE CJTO. DIFUSOR D.75- 1200
17	* 4404160152	CJTO. DIFUSOR D. 1800-125	19	* 32135R0440	SUPORTE CJTO. DIFUSOR D.90-1200
17	* 4404160153	CJTO. DIFUSOR D. 1800-140	19	* 32136R0440	SUPORTE CJTO. DIFUSOR D.75- 1400
17	* 4404160154	CJTO. DIFUSOR D. 2000-110	19	* 32137R0440	SUPORTE CJTO. DIFUSOR D.90- 1400
17	* 4404160155	CJTO. DIFUSOR D. 2000-125	19	* 32138R0440	SUPORTE CJTO. DIFUSOR D.110- 1400
17	* 4404160156	CJTO. DIFUSOR D. 2000-140	19	* 32139R0440	SUPORTE CJTO. DIFUSOR D.90- 1600
17	* 4404160157	CJTO. DIFUSOR D. 2000-160	19	* 32140R0440	SUPORTE CJTO. DIFUSOR D.110- 1600
18	* 4404160158	CJTO. COLECTOR D. 1050-63	19	* 32141R0440	SUPORTE CJTO. DIFUSOR D.125- 1600
18	* 4404160159	CJTO. COLECTOR D. 1050-75	19	* 32142R0440	SUPORTE CJTO. DIFUSOR D.90- 1800
18	* 4404160160	CJTO. COLECTOR D. 1050-90	19	* 32143R0440	SUPORTE CJTO. DIFUSOR D.110- 1800
18	* 4404160161	CJTO. COLECTOR D. 1200-75	19	* 32144R0440	SUPORTE CJTO. DIFUSOR D.125- 1800
18	* 4404160162	CJTO. COLECTOR D. 1200-90	19	* 32145R0440	SUPORTE CJTO. DIFUSOR D.140- 1800
18	* 4404160163	CJTO. COLECTOR D. 1400-75	19	* 32146R0440	SUPORTE CJTO. DIFUSOR D.110- 2000
18	* 4404160164	CJTO. COLECTOR D. 1400-90	19	* 32147R0440	SUPORTE CJTO. DIFUSOR D.125- 2000
18	* 4404160165	CJTO. COLECTOR D. 1400-110	19	* 32148R0440	SUPORTE CJTO. DIFUSOR D.140- 2000
18	* 4404160166	CJTO. COLECTOR D. 1600-90	19	* 32149R0440	SUPORTE CJTO. DIFUSOR D.160- 2000
18	* 4404160167	CJTO. COLECTOR D. 1600-110	20	* 00687R0101	PÉ FILTRO D 1050
18	* 4404160168	CJTO. COLECTOR D. 1600-125	20	* 00546R0101	PÉ FILTRO D 1200-90
18	* 4404160169	CJTO. COLECTOR D. 1800-90	20	* 00689R0101	PÉ FILTRO D 1400
18	* 4404160170	CJTO. COLECTOR D. 1800-110	20	* 00690R0101	PÉ FILTRO D 1600-90
18	* 4404160171	CJTO. COLECTOR D. 1800-125	20	* 00691R0101	PÉ FILTRO D 1800
18	* 4404160172	CJTO. COLECTOR D. 1800-140	20	* 00692R0101	PÉ FILTRO 2000-110

CODIGO **11511N, 11512N, 11513N, 11514N, 11515N, 11516N, 11517N, 11518N, 11519N, 11520N, 11521N, 11522N, 11523N, 11524N, 11525N, 11526N, 11527N, 11528N, 11529N**

DESCRIÇÃO: **FILTROS VIC D. 1050-1200-1400-1600-1800-200**

OBSERVAÇÕES

POSICIÓN	PIEZA	OBSERVACIÓN
6	4404161619	PARA 11511N
6	4404161606	PARA 11517N, 11526N, 11512N 11522N, 11513N, 11518N, 11514N, 11515N
6	4404161607	PARA 11523N, 11519N, 11527N, 11520N, 11524N, 11516N, 11521N
6	4404161608	PARA 11528N, 11525N, 11529N
7	4404161609	PARA 11517N, 11526N, 11512N 11522N, 11513N, 11518N, 11514N, 11515N
7	4404161610	PARA 11523N, 11519N, 11527N, 11520N, 11524N, 11516N, 11521N
7	4404161611	PARA 11528N, 11525N, 11529N
15	4404160819	PARA (11514N-10) (11519N-10) (11527N-10) (11515N-12) (11520N-12) (11524N-12) 11528N-12)
15	4404160820	PARA (11511N-2) (11517N-2) (11526N-2) (11516N-12) (11521N-12) (11525N-12) (11529N-12)
15	4404160821	PARA (11512N-2) (11522N-2) (11513N-2) (11518N-2) (11523N-2) (11514N-2) (11519N-2) (11527N-2) (11515N-2) (11520N-2) (11524N-2) (11528N-2)
15	4404160822	PARA (11511N-2) (11517N-2) (11526N-2) (11515N-2) (11518N-2) (11523N-2) (11514N-2) (11519N-2) (11527N-2) (11516N-2) (11521N-2) (11525N-2) (11529N-2)
15	4404160823	PARA (11511N-3) (11517N-3) (11526N-3) (11512N-2) (11522N-2) (11514N-3) (11519N-3) (11527N-3) (11515N-2) (11520N-2) (11524N-2) (11527N-2)
15	4404160824	PARA (11512N-2) (11522N-2) (11515N-2) (11520N-2) (11524N-2) (11527N-2) (11516N-2) (11521N-2) (11525N-2) (11529N-2)
15	4404160825	PARA (11512N-1) (11522N-1) (11513N-2) (11518N-2) (11523-2) (11515N-3) (11520N-3) (11524N-3) (11527N-3) (11516N-5) (11521N-5) (11525N-5) (11529N-5)
15	4404160826	PARA (11513N-3) (11518N-3) (11523N-3)
16	4404161615	PARA 11511N, 11517N, 11526N
16	4404161616	PARA 11512N, 11522N
16	4404161617	PARA 11513N, 11518N, 11523N
16	4404161618	PARA 11514N, 11519N, 11527N
16	4404161620	PARA 11515N, 11520N, 11524N, 11528N
16	4404161621	PARA 11516N, 11521N, 11522N, 11529N
17	4404160137	PARA 11511N
17	4404160138	PARA 11517N
17	4404160139	PARA 11526N
17	4404160140	PARA 11512N
17	4404160141	PARA 11522N
17	4404160142	PARA 11513N
17	4404160143	PARA 11518N
17	4404160145	PARA 11523N
17	4404160146	PARA 11514N
17	4404160148	PARA 11519N
17	4404160149	PARA 11527N
17	4404160150	PARA 11515N
17	4404160151	PARA 11520N
17	4404160152	PARA 11524N
17	4404160153	PARA 11528N
17	4404160154	PARA 11516N
17	4404160155	PARA 11521N
17	4404160156	PARA 11525N
17	4404160157	PARA 11529N
18	4404160158	PARA 11511N
18	4404160159	PARA 11517N
18	4404160160	PARA 11526N
18	4404160161	PARA 11512N
18	4404160162	PARA 11522N
18	4404160163	PARA 11513N
18	4404160164	PARA 11518N
18	4404160165	PARA 11523N
18	4404160166	PARA 11514N
18	4404160167	PARA 11519N
18	4404160168	PARA 11527N
18	4404160169	PARA 11515N
18	4404160170	PARA 11520N
18	4404160171	PARA 11524N
18	4404160172	PARA 11528N
18	4404160173	PARA 11516N
18	4404160174	PARA 11521N

CODIGO **11511N, 11512N, 11513N, 11514N, 11515N, 11516N, 11517N, 11518N,
11519N, 11520N, 11521N, 11522N, 11523N, 11524N, 11525N, 11526N,
11527N, 11528N, 11529N**

DESCRIÇÃO: **FILTROS VIC D. 1050-1200-1400-1600-1800-200**

18	4404160175	PARA 11525N
18	4404160176	PARA 11529N
19	32131R0440	PARA 11511N
19	32132R0440	PARA 11517N
19	32133R0440	PARA 11526N
19	32134R0440	PARA 11512N
19	32135R0440	PARA 11522N
19	32136R0440	PARA 11513N
19	32137R0440	PARA 11518N
19	32138R0440	PARA 11523N
19	32139R0440	PARA 11514N
19	32140R0440	PARA 11519N
19	32141R0440	PARA 11527N
19	32142R0440	PARA 11515N
19	32143R0440	PARA 11520N
19	32144R0440	PARA 11524N
19	32145R0440	PARA 11528N
19	32146R0440	PARA 11516N
19	32147R0440	PARA 11521N
19	32148R0440	PARA 11525N
19	32149R0440	PARA 11529N
20	00687R0101	PARA 11511N, 11517N, 11526N
20	00546R0101	PARA 11512N, 11522N
20	00689R0101	PARA 11513N, 11518N, 11523N
20	00690R0101	PARA 11514N, 11519N, 11527N
20	00691R0101	PARA 11515N, 11520N, 11524N, 11528N
20	00692R0101	PARA 11516N, 11521N, 11525N, 11529N