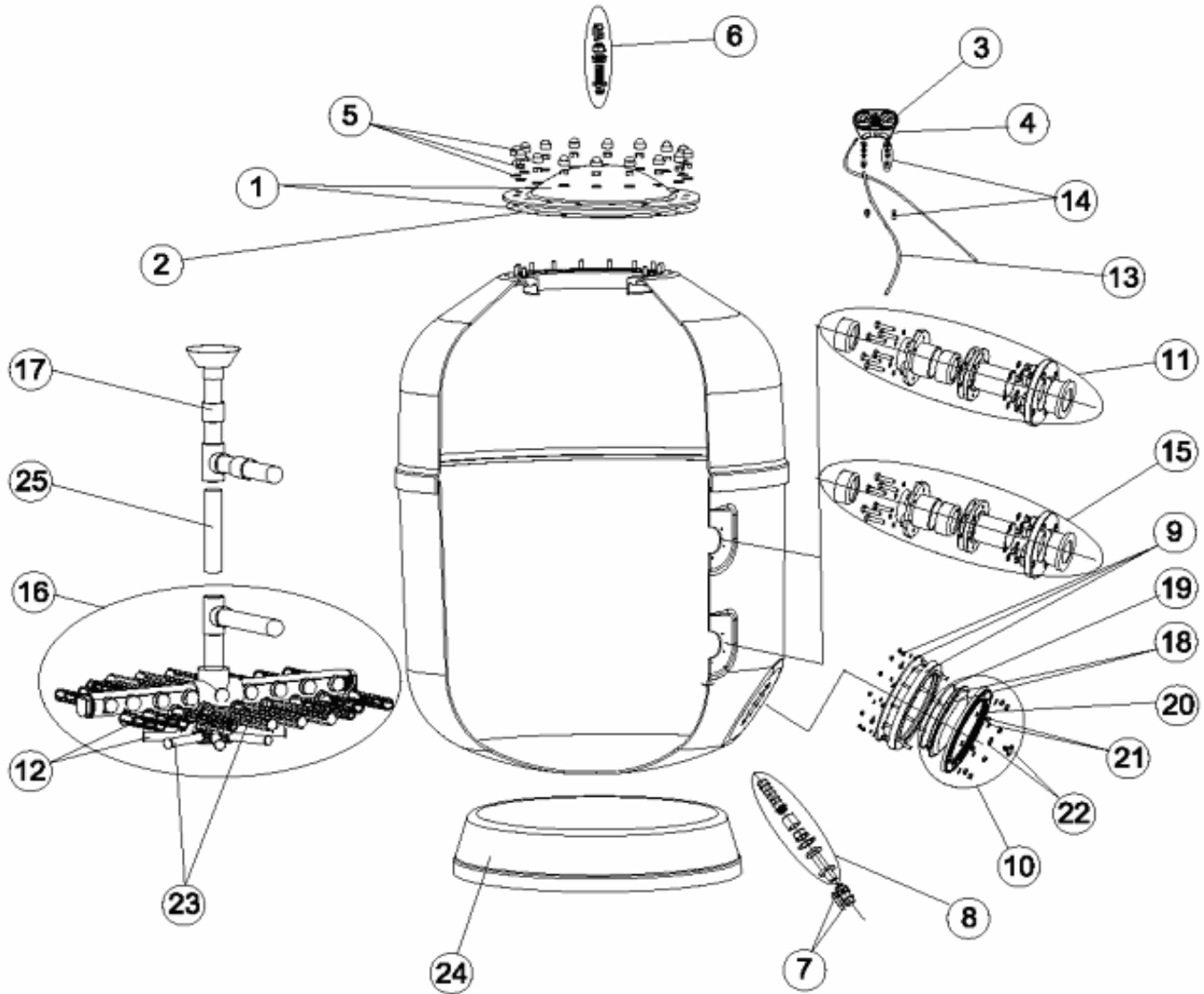


CODE 20068, 20069, 20070, 20071, 20072, 21497, 21498, 21499, 21500, 21501, 21502, 21503, 21504, 21505, 21506, 21507, 21508, 21509, 21510

BESCHREIBUNG: FILTER EUROPA 1 M. 2,5 KG D. 1050-1200-1400



**DEUTSCHE**

POS	CODE	BESCHREIBUNG	POS	CODE	BESCHREIBUNG
1	4404160102	DECKEL + DICHTUNG	11	*4404160833	AINLANT ANSCHLNSSSATZ 110 1800-2000
2	4404160101	DICHTUNG DECKEL	11	*4404160834	AINLANT ANSCHLNSSSATZ 125 1800-2000
3	4404170102	MANOMETER 3 KG/CM2	11	*4404160816	AINLANT ANSCHLNSSSATZ 140 1800-2000
4	4404170105	KÖRPER MANOMETERTAFEL	11	*4404160817	AINLANT ANSCHLNSSSATZ 160 2000
5	4404260211	SCHRAUBENSATZ DECKEL	12	*4404160818	"FILTERSTERN SCHLITZROHR 11/2" 90 MM."
6	4404260210	BEFESTIGUNG MANOMETER	12	*4404160819	"FILTERSTERN SCHLITZROHR 11/2" 160 MM."
6	4404160806	*FILTERENTLÜFTUNG 3/4"	12	*4404160820	"FILTERSTERN SCHLITZROHR 11/2" 225 MM."
7	4404160807	*KUGELVENTIL 3/4"	12	*4404160821	"FILTERSTERN SCHLITZROHR 11/2" 260 MM."
8	4404160808	*WASSERENTLEERUNG 3/4"	12	*4404160822	"FILTERSTERN SCHLITZROHR 11/2" 325 MM."
9	4404160809	ANSATZRING 20 SCHRAUBEN	12	*4404160823	"FILTERSTERN SCHLITZROHR 11/2" 360 MM."
10	4404160810	DECKEL SANDENTLEERUNG	12	*4404160824	"FILTERSTERN SCHLITZROHR 11/2" 425 MM."
11	*4404160811	AINLANT ANSCHLNSSSATZ 63 1050	12	*4404160825	"FILTERSTERN SCHLITZROHR 11/2" 460 MM."
11	*4404160812	AINLANT ANSCHLNSSSATZ 75 1050	12	*4404160826	"FILTERSTERN SCHLITZROHR 11/2" 525 MM."
11	*4404160813	AINLANT ANSCHLNSSSATZ 90 1050	12	*4404300915	"FILTERSTERN SCHLITZROHR 1" 175 MM"
11	*4404160830	AINLANT ANSCHLNSSSATZ 75 1200-1400	13	4404170104	PNEUMATIKSCHLAUCH 6/4 MM MIT VERSCHRAUBUNG
11	*4404160831	AINLANT ANSCHLNSSSATZ 90 1200-1400-1600	14	4404170103	ENTLÜFTUNG MANOMETERTAFEL
11	*4404160814	AINLANT ANSCHLNSSSATZ 110 1400-1600	15	*4404160835	ANSCHLUSSET EUROPA D.63 FÜR 1050
11	*4404160815	AINLANT ANSCHLNSSSATZ 125 1600	15	*4404160836	ANSCHLUSSET EUROPA D 75 FÜR 1050
11	*4404160832	AINLANT ANSCHLNSSSATZ 90 1800	15	*4404160837	ANSCHLUSSET EUROPA D.90 FÜR 1050

**CODE**                    **20068, 20069, 20070, 20071, 20072, 21497, 21498, 21499, 21500, 21501, 21502, 21503, 21504, 21505, 21506, 21507, 21508, 21509, 21510**

**BESCHREIBURG:**                    **FILTER EUROPA 1 M. 2,5 KG D. 1050-1200-1400**

15	* 4404160838	ANSCHLUSSSET EUROPA D.75 FÜR 1200 - 1400	17	* 4404160051	OBERER WASSERVERTEILER D. 125 - 1600
15	* 4404160839	ANSCHLUSSSET EUROPA D.90 FÜR 1200 - 1400	17	* 4404160052	OBERER WASSERVERTEILER D. 90 - 1800
15	* 4404160840	ANSCHLUSSSET EUROPA D.110 FÜR 1400 - 1600	17	* 4404160053	OBERER WASSERVERTEILER D. 110 - 1800
15	* 4404160841	ANSCHLUSSSET EUROPA D.125 FÜR 1600	17	* 4404160054	OBERER WASSERVERTEILER D. 125 - 1800
15	* 4404160842	ANSCHLUSSSET EUROPA D.90 FÜR 1800	17	* 4404160055	OBERER WASSERVERTEILER D. 140 - 1800
15	* 4404160843	ANSCHLUSSSET EUROPA D.110 FÜR 1800 - 2000	17	* 4404160056	OBERER WASSERVERTEILER D. 110 - 2000
15	* 4404160844	ANSCHLUSSSET EUROPA D.125 FÜR 1800 - 2000	17	* 4404160057	OBERER WASSERVERTEILER D. 125 - 2000
15	* 4404160845	ANSCHLUSSSET EUROPA D.140 FÜR 1800 - 2000	17	* 4404160058	OBERER WASSERVERTEILER D. 140 - 2000
15	* 4404160846	ANSCHLUSSSET EUROPA D.160 FÜR 2000	17	* 4404160059	OBERER WASSERVERTEILER D. 160 - 2000
16	* 4404160060	UNTERER WASSERVERTEILER D. 63 - 1050	18	4404160847	FILTERDECKEL D. 220 SCHWARZ
16	* 4404160061	UNTERER WASSERVERTEILER D. 75 - 1050	19	4404260106	DICHTUNG FÜR BEFESTIGUNGSRING TOP-VENTIL
16	* 4404160062	UNTERER WASSERVERTEILER D. 90 - 1050	20	4404160849	BLENDENSATZ DECKEL
16	* 4404160063	UNTERER WASSERVERTEILER D. 75 - 1200	21	4404160850	SCHRAUBENSATZ DECKELBEFESTIGUNG M8
16	* 4404160064	UNTERER WASSERVERTEILER D. 90 - 1200	22	4404040113	KAPPE ENTLERUNG UND DICHTUNG
16	* 4404160065	UNTERER WASSERVERTEILER D. 75 - 1400	23	* 4404160851	SET FILTERSTERN SCHLITZROHR D. 1050 - 1200
16	* 4404160066	UNTERER WASSERVERTEILER D. 90 - 1400	23	* 4404160852	SET FILTERSTERN SCHLITZROHR D.1400
16	* 4404160067	UNTERER WASSERVERTEILER D. 110 - 1400	23	* 4404160853	SET FILTERSTERN SCHLITZROHR D.1600
16	* 4404160068	UNTERER WASSERVERTEILER D. 90 - 1600	23	* 4404160854	SET FILTERSTERN SCHLITZROHR D.1800
16	* 4404160069	UNTERER WASSERVERTEILER D. 110 - 1600	23	* 4404160855	SET FILTERSTERN SCHLITZROHR D.2000
16	* 4404160070	UNTERER WASSERVERTEILER D. 125 - 1600	24	* 20070R0150	FUSS FILTER D 1050 EUROPE
16	* 4404160071	UNTERER WASSERVERTEILER D. 90 - 1800	24	* 20068R0150	FUSS FILTER D 1200 EUROPE
16	* 4404160072	UNTERER WASSERVERTEILER D. 110 - 1800	24	* 21511R0150	FUSS D. 1400
16	* 4404160073	UNTERER WASSERVERTEILER D. 125 - 1800	24	* 21514R0150	FUSS FILTER D 1600 EUROPE
16	* 4404160074	UNTERER WASSERVERTEILER D. 140 - 1800	24	* 21517R0150	FUSS FILTER D 1800 EUROPE
16	* 4404160075	UNTERER WASSERVERTEILER D. 110 - 2000	24	* 21521R0150	FUSS FILTER D 2000 EUROPE
16	* 4404160076	UNTERER WASSERVERTEILER D. 125 - 2000	25	* 21512R0423	ZERSTREUEN DER UNTERSTÜTZUNG 1400-90
16	* 4404160077	UNTERER WASSERVERTEILER D. 140 - 2000	25	* 21513R0423	ZERSTREUEN DER UNTERSTÜTZUNG 1400-110
16	* 4404160078	UNTERER WASSERVERTEILER D. 160 - 2000	25	* 21500R0423	ZERSTREUEN DER UNTERSTÜTZUNG 1600-90
17	* 4404160041	OBERER WASSERVERTEILER D. 63 - 1050	25	* 21515R0423	ZERSTREUEN DER UNTERSTÜTZUNG 1600-110
17	* 4404160042	OBERER WASSERVERTEILER D. 75 - 1050	25	* 21502R0423	ZERSTREUEN DER UNTERSTÜTZUNG 1600-125
17	* 4404160043	OBERER WASSERVERTEILER D. 90 - 1050	25	* 21503R0423	ZERSTREUEN DER UNTERSTÜTZUNG 1800-90
17	* 4404160044	OBERER WASSERVERTEILER D. 75 - 1200	25	* 21504R0423	ZERSTREUEN DER UNTERSTÜTZUNG 1800-110
17	* 4404160045	OBERER WASSERVERTEILER D. 90 - 1200	25	* 21519R0423	ZERSTREUEN DER UNTERSTÜTZUNG 1800-125
17	* 4404160046	OBERER WASSERVERTEILER D. 75 - 1400	25	* 21506R0423	ZERSTREUEN DER UNTERSTÜTZUNG 1800-140
17	* 4404160047	OBERER WASSERVERTEILER D. 90 - 1400	25	* 21507R0423	ZERSTREUEN DER UNTERSTÜTZUNG 2000-110
17	* 4404160048	OBERER WASSERVERTEILER D. 110 - 1400	25	* 21508R0423	ZERSTREUEN DER UNTERSTÜTZUNG 2000-125
17	* 4404160049	OBERER WASSERVERTEILER D. 90 - 1600	25	* 21523R0423	ZERSTREUEN DER UNTERSTÜTZUNG 2000-140
17	* 4404160050	OBERER WASSERVERTEILER D. 110 - 1600	25	* 21510R0423	ZERSTREUEN DER UNTERSTÜTZUNG 2000-160

CODE **20068, 20069, 20070, 20071, 20072, 21497, 21498, 21499, 21500, 21501, 21502, 21503, 21504, 21505, 21506, 21507, 21508, 21509, 21510**

BESCHREIBUNG: **FILTER EUROPA 1 M. 2,5 KG D. 1050-1200-1400**

**HINWEISE**

POSICIÓN	PIEZA	OBSERVACIÓN
11	4404160811	PARA 20070
11	4404160812	PARA 20071
11	4404160813	PARA 20072
11	4404160830	PARA 20068, 21497
11	4404160831	PARA 20069, 21498, 21500
11	4404160814	PARA 21499, 21500
11	4404160815	PARA 21502
11	4404160832	PARA 21503
11	4404160833	PARA 21504, 21507
11	4404160834	PARA 21505, 21508
11	4404160816	PARA 21506, 21509
11	4404160817	PARA 21510
12	4404160818	PARA (21500-2) (21501-2) (21502-2) (21503-4) (21504-2) (21505-2) (21506-2) (21507-2) (21508-2) (21509-2) (21510-2)
12	4404160819	PARA (20070-2) (20071-2) (20072-2) (20068-2) (20069-2) (21500-8) (21501-8) (21502-8) (21503-10) (21504-10) (21505-10) (21506-10)
12	4404160820	PARA (21500-2) (21501-2) (21502-2)
12	4404160821	PARA (21497-2) (21498-2) (21499-2) (21503-2) (21504-2) (21505-2) (21506-2) (21507-12) (21508-12) (21509-12) (21510-12)
12	4404160822	PARA (20070-2) (20071-2) (20072-2) (20068-2) (20069-2) (21497-2) (21498-2) (21499-2) (21500-2) (21501-2) (21502-2) (21507-2) (21508-2) (21509-2) (21510-2)
12	4404160823	PARA (20070-3) (20071-3) (20072-3) (20068-3) (20069-3) (21500-3) (21501-3) (21502-3) (21503-2) (21504-2) (21505-2) (21506-2) (21507-3) (21508-3) (21509-3) (21510-3)
12	4404160824	PARA (21503-2) (21504-2) (21505-2) (21506-2) (21507-2) (21508-2) (21509-2) (21510-2)
12	4404160825	PARA (21497-2) (21498-2) (21499-2) (21503-3) (21504-3) (21505-3) (21506-3)
12	4404160826	PARA (21497-3) (21498-3) (21499-3)
12	4404300915	PARA (20070-4) (20071-4) (20072-4) (20068-4) (20069-4) (21497-6) (21498-6) (21499-6) (21500-6) (21501-6) (21502-6) (21503-6) (21504-6) (21505-6) (21506-6) (21507-6) (21508-6) (21509-6) (21510-6)
15	4404160835	PARA 20070
15	4404160836	PARA 20071
15	4404160837	PARA 20072
15	4404160838	PARA 20068, 21497
15	4404160839	PARA 20069, 21498, 21500
15	4404160840	PARA 21499, 21500
15	4404160841	PARA 21502
15	4404160842	PARA 21503
15	4404160843	PARA 21504, 21507
15	4404160844	PARA 21505, 21508
15	4404160845	PARA 21506, 21509
15	4404160846	PARA 21510
16	4404160060	PARA 20070
16	4404160061	PARA 20071
16	4404160062	PARA 20072
16	4404160063	PARA 2068
16	4404160064	PARA 20069
16	4404160065	PARA 21497
16	4404160066	PARA 21498
16	4404160067	PARA 21499
16	4404160068	PARA 21500
16	4404160069	PARA 21501
16	4404160070	PARA 21502
16	4404160071	PARA 21503
16	4404160072	PARA 21504
16	4404160073	PARA 21505
16	4404160074	PARA 21506
16	4404160075	PARA 21507
16	4404160076	PARA 21508
16	4404160077	PARA 21509
16	4404160078	PARA 21510
17	4404160041	PARA 20070
17	4404160042	PARA 20071
17	4404160043	PARA 20072
17	4404160044	PARA 20068

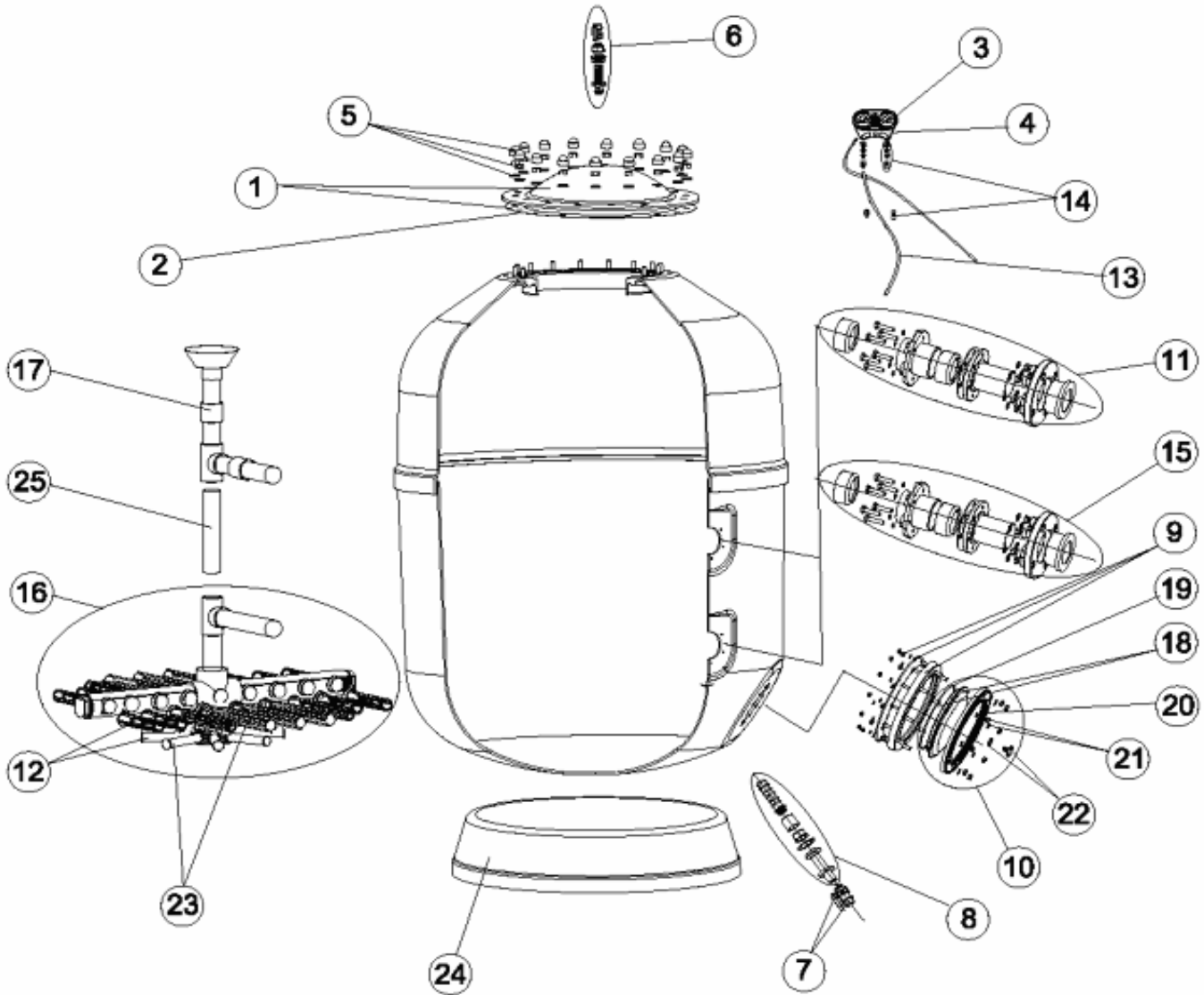
**CODE**                    **20068, 20069, 20070, 20071, 20072, 21497, 21498, 21499, 21500, 21501, 21502, 21503, 21504, 21505, 21506, 21507, 21508, 21509, 21510**

**BESCHREIBURG:**                    **FILTER EUROPA 1 M. 2,5 KG D. 1050-1200-1400**

17	4404160045	PARA 20069
17	4404160046	PARA 21497
17	4404160047	PARA 21498
17	4404160048	PARA 21499
17	4404160049	PARA 21500
17	4404160050	PARA 21501
17	4404160051	PARA 21502
17	4404160052	PARA 21503
17	4404160053	PARA 21504
17	4404160054	PARA 21505
17	4404160055	PARA 21506
17	4404160056	PARA 21507
17	4404160057	PARA 21508
17	4404160058	PARA 21509
17	4404160059	PARA 21510
23	4404160851	PARA 20070, 20071, 20072, 20068, 20069
23	4404160852	PARA 21497, 21498, 21499
23	4404160853	PARA 21500, 21501, 21502
23	4404160854	PARA 21503, 21504, 21505, 21506
23	4404160855	PARA 21507, 21508, 21509, 21510
24	20070R0150	PARA 20070, 20071, 20072
24	20068R0150	PARA 20068, 20069
24	21511R0150	PARA 21497, 21498, 21499
24	21514R0150	PARA 21500, 21501, 21502
24	21517R0150	PARA 21503, 21504, 21505, 21506
24	21521R0150	PARA 21507, 21508, 21509, 21510
25	21512R0423	PARA 21498
25	21513R0423	PARA 21499
25	21500R0423	PARA 21500
25	21515R0423	PARA 21501
25	21502R0423	PARA 21502
25	21503R0423	PARA 21503
25	21504R0423	PARA 21504
25	21519R0423	PARA 21505
25	21506R0423	PARA 21506
25	21507R0423	PARA 21507
25	21508R0423	PARA 21508
25	21523R0423	PARA 21509
25	21510R0423	PARA 21510

CODE                    **20068, 20069, 20070, 20071, 20072, 21497, 21498, 21499, 21500, 21501, 21502, 21503, 21504, 21505, 21506, 21507, 21508, 21509, 21510**

DESCRIPTION:                    **EUROPA DRAIN 1M. 2.5 KG D.1050-1200-1400**



**ENGLISH**

POS	CODE	DESCRIPTION	POS	CODE	DESCRIPTION
1	4404160102	FILTER LID + GASKET	11	*4404160833	INLET ASSEMBLY 110 1800-2000
2	4404160101	LID 'O' RING	11	*4404160834	INLET ASSEMBLY 125 1800-2000
3	4404170102	PRESSURE GAUGE 3 BAR	11	*4404160816	INLET ASSEMBLY 140 1800-2000
4	4404170105	PRESSURE GAUGE PANEL BODY	11	*4404160817	INLET ASSEMBLY 160 2000
5	4404260211	FILTER LID BOLTS	12	*4404160818	MANIFOLD ARM 11/2 90 M/M.
6	4404260210	PRESSURE GAUGE ANCHOR	12	*4404160819	"MANIFOLD ARM 11/2" 160 M/M."
6	4404160806	"AIR PURGE 3/4"	12	*4404160820	"MANIFOLD ARM 11/2" 225 M/M."
7	4404160807	"BALL VALVE 3/4"	12	*4404160821	"MANIFOLD ARM 11/2" 260 M/M."
8	4404160808	"WATER PURGE 3/4"	12	*4404160822	"MANIFOLD ARM 11/2" 325 M/M."
9	4404160809	20-SCREW NECK RING	12	*4404160823	"MANIFOLD ARM 11/2" 360 M/M."
10	4404160810	SAND DRAINAGE COVER	12	*4404160824	"MANIFOLD ARM 11/2" 425 M/M."
11	*4404160811	INLET ASSEMBLY 63 1050	12	*4404160825	"MANIFOLD ARM 11/2" 460 M/M."
11	*4404160812	INLET ASSEMBLY 75 1050	12	*4404160826	"MANIFOLD ARM 11/2" 525 M/M."
11	*4404160813	INLET ASSEMBLY 90 1050	12	*4404300915	"MANIFOLD ARM 1" 175 MM"
11	*4404160830	INLET ASSEMBLY 75 1200-1400	13	4404170104	PRESSURE FITTINGS + TUBE
11	*4404160831	INLET ASSEMBLY 90 1200-1400-1600	14	4404170103	AIR BLEED ASSEMBLY
11	*4404160814	INLET ASSEMBLY 110 1400-1600	15	*4404160835	OUTLET ASSEMBLY EUROPE D.63 FOR 1050
11	*4404160815	INLET ASSEMBLY 125 1600	15	*4404160836	OUTLET ASSEMBLY EUROPE D.75 FOR 1050
11	*4404160832	INLET ASSEMBLY 90 1800	15	*4404160837	OUTLET ASSEMBLY EUROPE D.90 FOR 1050

**CODE**                    **20068, 20069, 20070, 20071, 20072, 21497, 21498, 21499, 21500, 21501, 21502, 21503, 21504, 21505, 21506, 21507, 21508, 21509, 21510**

**DESCRIPTION:**                    **EUROPA DRAIN 1M. 2.5 KG D.1050-1200-1400**

15	* 4404160838	OUTLET ASSEMBLY EUROPE D.75 FOR 1200 - 1400	17	* 4404160051	DIFFUSER ASSEMBLY D. 125 - 1600
15	* 4404160839	OUTLET ASSEMBLY EUROPE D.90 FOR 1200 - 1400 - 1600	17	* 4404160052	DIFFUSER ASSEMBLY D. 90 - 1800
15	* 4404160840	OUTLET ASSEMBLY EUROPE D.110 FOR 1400 - 1600	17	* 4404160053	DIFFUSER ASSEMBLY D. 110 - 1800
15	* 4404160841	OUTLET ASSEMBLY EUROPE D.125 FOR 1600	17	* 4404160054	DIFFUSER ASSEMBLY D. 125 - 1800
15	* 4404160842	OUTLET ASSEMBLY EUROPE D.90 FOR 1800	17	* 4404160055	DIFFUSER ASSEMBLY D. 140 - 1800
15	* 4404160843	OUTLET ASSEMBLY EUROPE D.110 FOR 1800 - 2000	17	* 4404160056	DIFFUSER ASSEMBLY D. 110 - 2000
15	* 4404160844	OUTLET ASSEMBLY EUROPE D.125 FOR 1800 - 2000	17	* 4404160057	DIFFUSER ASSEMBLY D. 125 - 2000
15	* 4404160845	OUTLET ASSEMBLY EUROPE D.140 FOR 1800 - 2000	17	* 4404160058	DIFFUSER ASSEMBLY D. 140 - 2000
15	* 4404160846	OUTLET ASSEMBLY EUROPE D.160 FOR 2000	17	* 4404160059	DIFFUSER ASSEMBLY D. 160 - 2000
16	* 4404160060	COLLECTOR ASSEMBLY D. 63 - 1050	18	4404160847	FILTER LID D. 220 BLACK
16	* 4404160061	COLLECTOR ASSEMBLY D. 75 - 1050	19	4404260106	VALVE TOP RING FIXING GASKET
16	* 4404160062	COLLECTOR ASSEMBLY D. 90 - 1050	20	4404160849	LIF FIXING RING
16	* 4404160063	COLLECTOR ASSEMBLY D. 75 - 1200	21	4404160850	LID ANCHOR BOLTS M8
16	* 4404160064	COLLECTOR ASSEMBLY D. 90 - 1200	22	4404040113	DRAIN PLUG AND GASKET
16	* 4404160065	COLLECTOR ASSEMBLY D. 75 - 1400	23	* 4404160851	MANIFOLD ARM ASSEMBLY D. 1050 - 1200
16	* 4404160066	COLLECTOR ASSEMBLY D. 90 - 1400	23	* 4404160852	MANIFOLD ARM ASSEMBLY D. 1400
16	* 4404160067	COLLECTOR ASSEMBLY D. 110 - 1400	23	* 4404160853	MANIFOLD ARM ASSEMBLY D. 1600
16	* 4404160068	COLLECTOR ASSEMBLY D. 90 - 1600	23	* 4404160854	MANIFOLD ARM ASSEMBLY D. 1800
16	* 4404160069	COLLECTOR ASSEMBLY D. 110 - 1600	23	* 4404160855	MANIFOLD ARM ASSEMBLY D. 2000
16	* 4404160070	COLLECTOR ASSEMBLY D. 125 - 1600	24	* 20070R0150	FILTER BASE D. 1050 EUROPE
16	* 4404160071	COLLECTOR ASSEMBLY D. 90 - 1800	24	* 20068R0150	FILTER BASE D. 1200 EUROPE
16	* 4404160072	COLLECTOR ASSEMBLY D. 110 - 1800	24	* 21511R0150	BASE D 1400
16	* 4404160073	COLLECTOR ASSEMBLY D. 125 - 1800	24	* 21514R0150	FILTER BASE D. 1600 EUROPE
16	* 4404160074	COLLECTOR ASSEMBLY D. 140 - 1800	24	* 21517R0150	FILTER BASE D. 1800 EUROPE
16	* 4404160075	COLLECTOR ASSEMBLY D. 110 - 2000	24	* 21521R0150	FILTER BASE D. 2000 EUROPE
16	* 4404160076	COLLECTOR ASSEMBLY D. 125 - 2000	25	* 21512R0423	DIFFUSOR SUPPORT TUBE D 90 FOR 1400
16	* 4404160077	COLLECTOR ASSEMBLY D. 140 - 2000	25	* 21513R0423	DIFFUSOR SUPPORT TUBE D 110 FOR 1400
16	* 4404160078	COLLECTOR ASSEMBLY D. 160 - 2000	25	* 21500R0423	DIFFUSOR SUPPORT TUBE D 90 FOR 1600
17	* 4404160041	DIFFUSER ASSEMBLY D. 63 - 1050	25	* 21515R0423	DIFFUSOR SUPPORT TUBE D 110 FOR 1600
17	* 4404160042	DIFFUSER ASSEMBLY D. 75 - 1050	25	* 21502R0423	DIFFUSOR SUPPORT TUBE D 125 FOR 1600
17	* 4404160043	DIFFUSER ASSEMBLY D. 90 - 1050	25	* 21503R0423	DIFFUSOR SUPPORT TUBE D 90 FOR 1800
17	* 4404160044	DIFFUSER ASSEMBLY D. 75 - 1200	25	* 21504R0423	DIFFUSOR SUPPORT TUBE D 110 FOR 1800
17	* 4404160045	DIFFUSER ASSEMBLY D. 90 - 1200	25	* 21519R0423	DIFFUSOR SUPPORT TUBE D 125 FOR 1800
17	* 4404160046	DIFFUSER ASSEMBLY D. 75 - 1400	25	* 21506R0423	DIFFUSOR SUPPORT TUBE D 140 FOR 1800
17	* 4404160047	DIFFUSER ASSEMBLY D. 90 - 1400	25	* 21507R0423	DIFFUSOR SUPPORT TUBE D 110 FOR 2000
17	* 4404160048	DIFFUSER ASSEMBLY D. 110 - 1400	25	* 21508R0423	DIFFUSOR SUPPORT TUBE D 125 FOR 1800
17	* 4404160049	DIFFUSER ASSEMBLY D. 90 - 1600	25	* 21523R0423	DIFFUSOR SUPPORT TUBE D 140 FOR 2000
17	* 4404160050	DIFFUSER ASSEMBLY D. 110 - 1600	25	* 21510R0423	DIFFUSOR SUPPORT TUBE D 160 FOR 2000

CODE **20068, 20069, 20070, 20071, 20072, 21497, 21498, 21499, 21500, 21501, 21502, 21503, 21504, 21505, 21506, 21507, 21508, 21509, 21510**

DESCRIPTION: **EUROPA DRAIN 1M. 2.5 KG D.1050-1200-1400**

**OBSERVATIONS**

POSICIÓN	PIEZA	OBSERVACIÓN
11	4404160811	PARA 20070
11	4404160812	PARA 20071
11	4404160813	PARA 20072
11	4404160830	PARA 20068, 21497
11	4404160831	PARA 20069, 21498, 21500
11	4404160814	PARA 21499, 21500
11	4404160815	PARA 21502
11	4404160832	PARA 21503
11	4404160833	PARA 21504, 21507
11	4404160834	PARA 21505, 21508
11	4404160816	PARA 21506, 21509
11	4404160817	PARA 21510
12	4404160818	PARA (21500-2) (21501-2) (21502-2) (21503-4) (21504-2) (21505-2) (21506-2) (21507-2) (21508-2) (21509-2) (21510-2)
12	4404160819	PARA (20070-2) (20071-2) (20072-2) (20068-2) (20069-2) (21500-8) (21501-8) (21502-8) (21503-10) (21504-10) (21505-10) (21506-10)
12	4404160820	PARA (21500-2) (21501-2) (21502-2)
12	4404160821	PARA (21497-2) (21498-2) (21499-2) (21503-2) (21504-2) (21505-2) (21506-2) (21507-12) (21508-12) (21509-12) (21510-12)
12	4404160822	PARA (20070-2) (20071-2) (20072-2) (20068-2) (20069-2) (21497-2) (21498-2) (21499-2) (21500-2) (21501-2) (21502-2) (21507-2) (21508-2) (21509-2) (21510-2)
12	4404160823	PARA (20070-3) (20071-3) (20072-3) (20068-3) (20069-3) (21500-3) (21501-3) (21502-3) (21503-2) (21504-2) (21505-2) (21506-2) (21507-3) (21508-3) (21509-3) (21510-3)
12	4404160824	PARA (21503-2) (21504-2) (21505-2) (21506-2) (21507-2) (21508-2) (21509-2) (21510-2)
12	4404160825	PARA (21497-2) (21498-2) (21499-2) (21503-3) (21504-3) (21505-3) (21506-3)
12	4404160826	PARA (21497-3) (21498-3) (21499-3)
12	4404300915	PARA (20070-4) (20071-4) (20072-4) (20068-4) (20069-4) (21497-6) (21498-6) (21499-6) (21500-6) (21501-6) (21502-6) (21503-6) (21504-6) (21505-6) (21506-6) (21507-6) (21508-6) (21509-6) (21510-6)
15	4404160835	PARA 20070
15	4404160836	PARA 20071
15	4404160837	PARA 20072
15	4404160838	PARA 20068, 21497
15	4404160839	PARA 20069, 21498, 21500
15	4404160840	PARA 21499, 21500
15	4404160841	PARA 21502
15	4404160842	PARA 21503
15	4404160843	PARA 21504, 21507
15	4404160844	PARA 21505, 21508
15	4404160845	PARA 21506, 21509
15	4404160846	PARA 21510
16	4404160060	PARA 20070
16	4404160061	PARA 20071
16	4404160062	PARA 20072
16	4404160063	PARA 2068
16	4404160064	PARA 20069
16	4404160065	PARA 21497
16	4404160066	PARA 21498
16	4404160067	PARA 21499
16	4404160068	PARA 21500
16	4404160069	PARA 21501
16	4404160070	PARA 21502
16	4404160071	PARA 21503
16	4404160072	PARA 21504
16	4404160073	PARA 21505
16	4404160074	PARA 21506
16	4404160075	PARA 21507
16	4404160076	PARA 21508
16	4404160077	PARA 21509
16	4404160078	PARA 21510
17	4404160041	PARA 20070
17	4404160042	PARA 20071
17	4404160043	PARA 20072
17	4404160044	PARA 20068

CODE                    **20068, 20069, 20070, 20071, 20072, 21497, 21498, 21499, 21500, 21501, 21502, 21503, 21504, 21505, 21506, 21507, 21508, 21509, 21510**

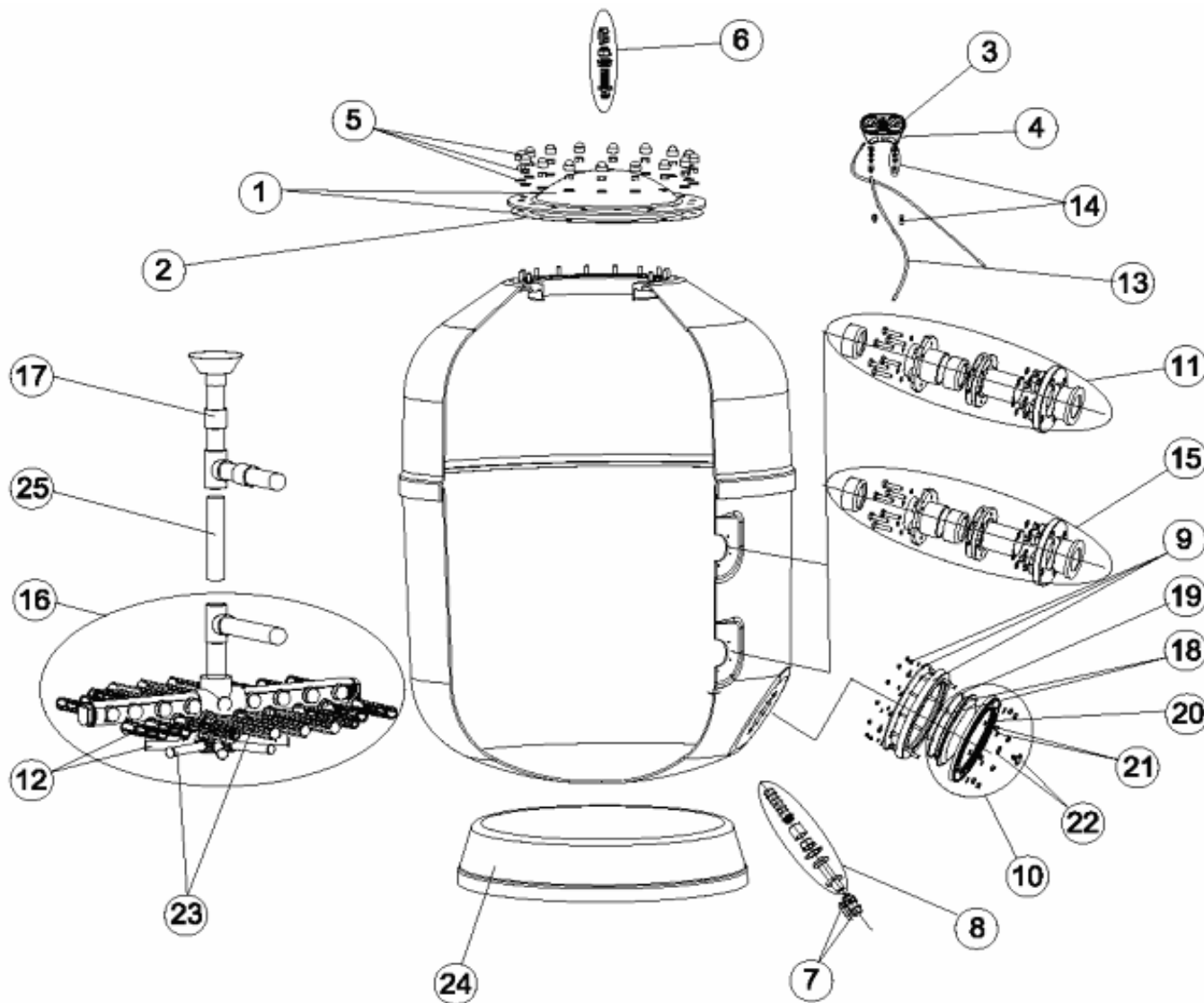
DESCRIPTION:                    **EUROPA DRAIN 1M. 2.5 KG D.1050-1200-1400**

17	4404160045	PARA 20069
17	4404160046	PARA 21497
17	4404160047	PARA 21498
17	4404160048	PARA 21499
17	4404160049	PARA 21500
17	4404160050	PARA 21501
17	4404160051	PARA 21502
17	4404160052	PARA 21503
17	4404160053	PARA 21504
17	4404160054	PARA 21505
17	4404160055	PARA 21506
17	4404160056	PARA 21507
17	4404160057	PARA 21508
17	4404160058	PARA 21509
17	4404160059	PARA 21510
23	4404160851	PARA 20070, 20071, 20072, 20068, 20069
23	4404160852	PARA 21497, 21498, 21499
23	4404160853	PARA 21500, 21501, 21502
23	4404160854	PARA 21503, 21504, 21505, 21506
23	4404160855	PARA 21507, 21508, 21509, 21510
24	20070R0150	PARA 20070, 20071, 20072
24	20068R0150	PARA 20068, 20069
24	21511R0150	PARA 21497, 21498, 21499
24	21514R0150	PARA 21500, 21501, 21502
24	21517R0150	PARA 21503, 21504, 21505, 21506
24	21521R0150	PARA 21507, 21508, 21509, 21510
25	21512R0423	PARA 21498
25	21513R0423	PARA 21499
25	21500R0423	PARA 21500
25	21515R0423	PARA 21501
25	21502R0423	PARA 21502
25	21503R0423	PARA 21503
25	21504R0423	PARA 21504
25	21519R0423	PARA 21505
25	21506R0423	PARA 21506
25	21507R0423	PARA 21507
25	21508R0423	PARA 21508
25	21523R0423	PARA 21509
25	21510R0423	PARA 21510



**CODIGO** 20068, 20069, 20070, 20071, 20072, 21497, 21498, 21499, 21500, 21501, 21502, 21503, 21504, 21505, 21506, 21507, 21508, 21509, 21510

**DESCRIPCION:** **FILTRO EUROPA 1M. 2,5 KG. D.1050-1200-1400-1600-1800-2000**



**ESPAÑOL**

POS	CODIGO	DESCRIPCION	POS	CODIGO	DESCRIPCION
1	4404160102	TAPA FILTRO + JUNTA	11	*4404160833	CJTO. ENTRADA EUROPE D.110 PARA 1800 - 2000
2	4404160101	JUNTA TORICA TAPA	11	*4404160834	CJTO. ENTRADA EUROPE D.125 PARA 1800 - 2000
3	4404170102	MANOMETRO 3 ATM.	11	*4404160816	CJTO. ENTRADA EUROPE D.140 PARA 1800 - 2000
4	4404170105	CUERPO PANEL MANOMETROS	11	*4404160817	CJTO. ENTRADA EUROPE D.160 PARA 2000
5	4404260211	TORNILLERIA TAPA FILTRO	12	*4404160818	BRAZO COLECTOR 11/2" 90 MM.
6	4404260210	FIJACION MANOMETRO	12	*4404160819	BRAZO COLECTOR 11/2" 160 MM.
6	4404160806	PURGA AIRE 3/4"	12	*4404160820	BRAZO COLECTOR 11/2" 225 MM.
7	4404160807	VALVULA BOLA 3/4"	12	*4404160821	BRAZO COLECTOR 11/2" 260 MM.
8	4404160808	PURGA AGUA 3/4"	12	*4404160822	BRAZO COLECTOR 11/2" 325 MM.
9	4404160809	ARO CUELLO 20 TORNILLOS	12	*4404160823	BRAZO COLECTOR 11/2" 360 MM.
10	4404160810	TAPA VACIADO ARENA	12	*4404160824	BRAZO COLECTOR 11/2" 425 MM.
11	*4404160811	CJTO. ENTRADA EUROPE D.63 PARA 1050	12	*4404160825	BRAZO COLECTOR 11/2" 460 MM.
11	*4404160812	CJTO. ENTRADA EUROPE D.75 PARA 1050	12	*4404160826	BRAZO COLECTOR 11/2" 525 MM.
11	*4404160813	CJTO. ENTRADA EUROPE D.90 PARA 1050	12	*4404300915	BRAZO COLECTOR 1" 175 MM
11	*4404160830	CJTO. ENTRADA EUROPE D. 75 PARA 1200 - 1400	13	4404170104	RACORD PANEL + TUBO
11	*4404160831	CJTO. ENTRADA EUROPE D.90 PARA 1200 - 1400 - 1600	14	4404170103	PURGA PANEL MANOMETROS
11	*4404160814	CJTO. ENTRADA EUROPE D.110 PARA 1400 - 1600	15	*4404160835	CJTO. SALIDA EUROPE D.63 PARA 1050
11	*4404160815	CJTO. ENTRADA EUROPE D.125 PARA 1600	15	*4404160836	CJTO. SALIDA EUROPE D.75 PARA 1050
11	*4404160832	CJTO. ENTRADA EUROPE D.90 PARA 1800	15	*4404160837	CJTO. SALIDA EUROPE D.90 PARA 1050

**CODIGO 20068, 20069, 20070, 20071, 20072, 21497, 21498, 21499, 21500, 21501, 21502, 21503, 21504, 21505, 21506, 21507, 21508, 21509, 21510**

**DESCRIPCION: FILTRO EUROPA 1M. 2,5 KG. D.1050-1200-1400-1600-1800-2000**

15	* 4404160838	CJTO. SALIDA EUROPE D.75 PARA 1200 - 1400	17	* 4404160051	CJTO. DIFUSOR D. 125 - 1600
15	* 4404160839	CJTO. SALIDA EUROPE D.90 PARA 1200 - 1400 - 1600	17	* 4404160052	CJTO. DIFUSOR D. 90 - 1800
15	* 4404160840	CJTO. SALIDA EUROPE D.110 PARA 1400 - 1600	17	* 4404160053	CJTO. DIFUSOR D. 110 - 1800
15	* 4404160841	CJTO. SALIDA EUROPE D.125 PARA 1600	17	* 4404160054	CJTO. DIFUSOR D. 125 - 1800
15	* 4404160842	CJTO. SALIDA EUROPE D.90 PARA 1800	17	* 4404160055	CJTO. DIFUSOR D. 140 - 1800
15	* 4404160843	CJTO. SALIDA EUROPE D.110 PARA 1800 - 2000	17	* 4404160056	CJTO. DIFUSOR D. 110 - 2000
15	* 4404160844	CJTO. SALIDA EUROPE D.125 PARA 1800 - 2000	17	* 4404160057	CJTO. DIFUSOR D. 125 - 2000
15	* 4404160845	CJTO. SALIDA EUROPE D.140 PARA 1800 - 2000	17	* 4404160058	CJTO. DIFUSOR D. 140 - 2000
15	* 4404160846	CJTO. SALIDA EUROPE D.160 PARA 2000	17	* 4404160059	CJTO. DIFUSOR D. 160 - 2000
16	* 4404160060	CJTO. COLECTOR D. 63 - 1050	18	4404160847	TAPA FILTRO D. 220 NEGRA
16	* 4404160061	CJTO. COLECTOR D. 75 - 1050	19	4404260106	JUNTA ARO FIJACION VALVULA
16	* 4404160062	CJTO. COLECTOR D. 90 - 1050	20	4404160849	ARO FIJACION TAPA
16	* 4404160063	CJTO. COLECTOR D. 75 - 1200	21	4404160850	TORNILLERIA FIJACION TAPA M8
16	* 4404160064	CJTO. COLECTOR D. 90 - 1200	22	4404040113	TAPON PURGAY JUNTA
16	* 4404160065	CJTO. COLECTOR D. 75 - 1400	23	* 4404160851	CJTO. BRAZOS COLECTOR D. 1050 - 1200
16	* 4404160066	CJTO. COLECTOR D. 90 - 1400	23	* 4404160852	CJTO. BRAZOS COLECTOR D. 1400
16	* 4404160067	CJTO. COLECTOR D. 110 - 1400	23	* 4404160853	CJTO. BRAZOS COLECTOR D. 1600
16	* 4404160068	CJTO. COLECTOR D. 90 - 1600	23	* 4404160854	CJTO. BRAZOS COLECTOR D. 1800
16	* 4404160069	CJTO. COLECTOR D. 110 - 1600	23	* 4404160855	CJTO. BRAZOS COLECTOR D. 2000
16	* 4404160070	CJTO. COLECTOR D. 125 - 1600	24	* 20070R0150	PIE FILTRO 1050 EUROPE
16	* 4404160071	CJTO. COLECTOR D. 90 - 1800	24	* 20068R0150	PIE FILTRO 1200 EUROPE
16	* 4404160072	CJTO. COLECTOR D. 110 - 1800	24	* 21511R0150	PIE D. 1400
16	* 4404160073	CJTO. COLECTOR D. 125 - 1800	24	* 21514R0150	PIE FILTRO 1600 EUROPE
16	* 4404160074	CJTO. COLECTOR D. 140 - 1800	24	* 21517R0150	PIE FILTRO 1800 EUROPE
16	* 4404160075	CJTO. COLECTOR D. 110 - 2000	24	* 21521R0150	PIE FILTRO 2000 EUROPE
16	* 4404160076	CJTO. COLECTOR D. 125 - 2000	25	* 21512R0423	SOPORTE DIFUSOR D.90 PARA 1400
16	* 4404160077	CJTO. COLECTOR D. 140 - 2000	25	* 21513R0423	SOPORTE DIFUSOR D.110 PARA 1400
16	* 4404160078	CJTO. COLECTOR D. 160 - 2000	25	* 21500R0423	SOPORTE DIFUSOR D.90 PARA 1600
17	* 4404160041	CJTO. DIFUSOR D. 63 - 1050	25	* 21515R0423	CJTO. SOPORTE DIFUSOR D.1600-110
17	* 4404160042	CJTO. DIFUSOR D. 75 - 1050	25	* 21502R0423	SOPORTE DIFUSOR D.125 PARA 1600
17	* 4404160043	CJTO. DIFUSOR D. 90 - 1050	25	* 21503R0423	SOPORTE DIFUSOR D.90 PARA 1800
17	* 4404160044	CJTO. DIFUSOR D. 75 - 1200	25	* 21504R0423	SOPORTE DIFUSOR D.110 PARA 1800
17	* 4404160045	CJTO. DIFUSOR D. 90 - 1200	25	* 21519R0423	SOPORTE DIFUSOR D.125 PARA 1800
17	* 4404160046	CJTO. DIFUSOR D. 75 - 1400	25	* 21506R0423	SOPORTE DIFUSOR D.140 PARA 1800
17	* 4404160047	CJTO. DIFUSOR D. 90 - 1400	25	* 21507R0423	SOPORTE DIFUSOR D.110 PARA 2000
17	* 4404160048	CJTO. DIFUSOR D. 110 - 1400	25	* 21508R0423	SOPORTE DIFUSOR D.125 PARA 2000
17	* 4404160049	CJTO. DIFUSOR D. 90 - 1600	25	* 21523R0423	SOPORTE DIFUSOR D.140 PARA 2000
17	* 4404160050	CJTO. DIFUSOR D. 110 - 1600	25	* 21510R0423	SOPORTE DIFUSOR D.160 PARA 2000

**CODIGO**                    **20068, 20069, 20070, 20071, 20072, 21497, 21498, 21499, 21500, 21501, 21502, 21503, 21504, 21505, 21506, 21507, 21508, 21509, 21510**

**DESCRIPCION:**                    **FILTRO EUROPA 1M. 2,5 KG. D.1050-1200-1400-1600-1800-2000**

**OBSERVACIONES**

POSICIÓN	PIEZA	OBSERVACIÓN
11	4404160811	PARA 20070
11	4404160812	PARA 20071
11	4404160813	PARA 20072
11	4404160830	PARA 20068, 21497
11	4404160831	PARA 20069, 21498, 21500
11	4404160814	PARA 21499, 21500
11	4404160815	PARA 21502
11	4404160832	PARA 21503
11	4404160833	PARA 21504, 21507
11	4404160834	PARA 21505, 21508
11	4404160816	PARA 21506, 21509
11	4404160817	PARA 21510
12	4404160818	PARA (21500-2) (21501-2) (21502-2) (21503-4) (21504-2) (21505-2) (21506-2) (21507-2) (21508-2) (21509-2) (21510-2)
12	4404160819	PARA (20070-2) (20071-2) (20072-2) (20068-2) (20069-2) (21500-8) (21501-8) (21502-8) (21503-10) (21504-10) (21505-10) (21506-10)
12	4404160820	PARA (21500-2) (21501-2) (21502-2)
12	4404160821	PARA (21497-2) (21498-2) (21499-2) (21503-2) (21504-2) (21505-2) (21506-2) (21507-12) (21508-12) (21509-12) (21510-12)
12	4404160822	PARA (20070-2) (20071-2) (20072-2) (20068-2) (20069-2) (21497-2) (21498-2) (21499-2) (21500-2) (21501-2) (21502-2) (21507-2) (21508-2) (21509-2) (21510-2)
12	4404160823	PARA (20070-3) (20071-3) (20072-3) (20068-3) (20069-3) (21500-3) (21501-3) (21502-3) (21503-2) (21504-2) (21505-2) (21506-2) (21507-3) (21508-3) (21509-3) (21510-3)
12	4404160824	PARA (21503-2) (21504-2) (21505-2) (21506-2) (21507-2) (21508-2) (21509-2) (21510-2)
12	4404160825	PARA (21497-2) (21498-2) (21499-2) (21503-3) (21504-3) (21505-3) (21506-3)
12	4404160826	PARA (21497-3) (21498-3) (21499-3)
12	4404300915	PARA (20070-4) (20071-4) (20072-4) (20068-4) (20069-4) (21497-6) (21498-6) (21499-6) (21500-6) (21501-6) (21502-6) (21503-6) (21504-6) (21505-6) (21506-6) (21507-6) (21508-6) (21509-6) (21510-6)
15	4404160835	PARA 20070
15	4404160836	PARA 20071
15	4404160837	PARA 20072
15	4404160838	PARA 20068, 21497
15	4404160839	PARA 20069, 21498, 21500
15	4404160840	PARA 21499, 21500
15	4404160841	PARA 21502
15	4404160842	PARA 21503
15	4404160843	PARA 21504, 21507
15	4404160844	PARA 21505, 21508
15	4404160845	PARA 21506, 21509
15	4404160846	PARA 21510
16	4404160060	PARA 20070
16	4404160061	PARA 20071
16	4404160062	PARA 20072
16	4404160063	PARA 2068
16	4404160064	PARA 20069
16	4404160065	PARA 21497
16	4404160066	PARA 21498
16	4404160067	PARA 21499
16	4404160068	PARA 21500
16	4404160069	PARA 21501
16	4404160070	PARA 21502
16	4404160071	PARA 21503
16	4404160072	PARA 21504
16	4404160073	PARA 21505
16	4404160074	PARA 21506
16	4404160075	PARA 21507
16	4404160076	PARA 21508
16	4404160077	PARA 21509
16	4404160078	PARA 21510
17	4404160041	PARA 20070
17	4404160042	PARA 20071
17	4404160043	PARA 20072
17	4404160044	PARA 20068

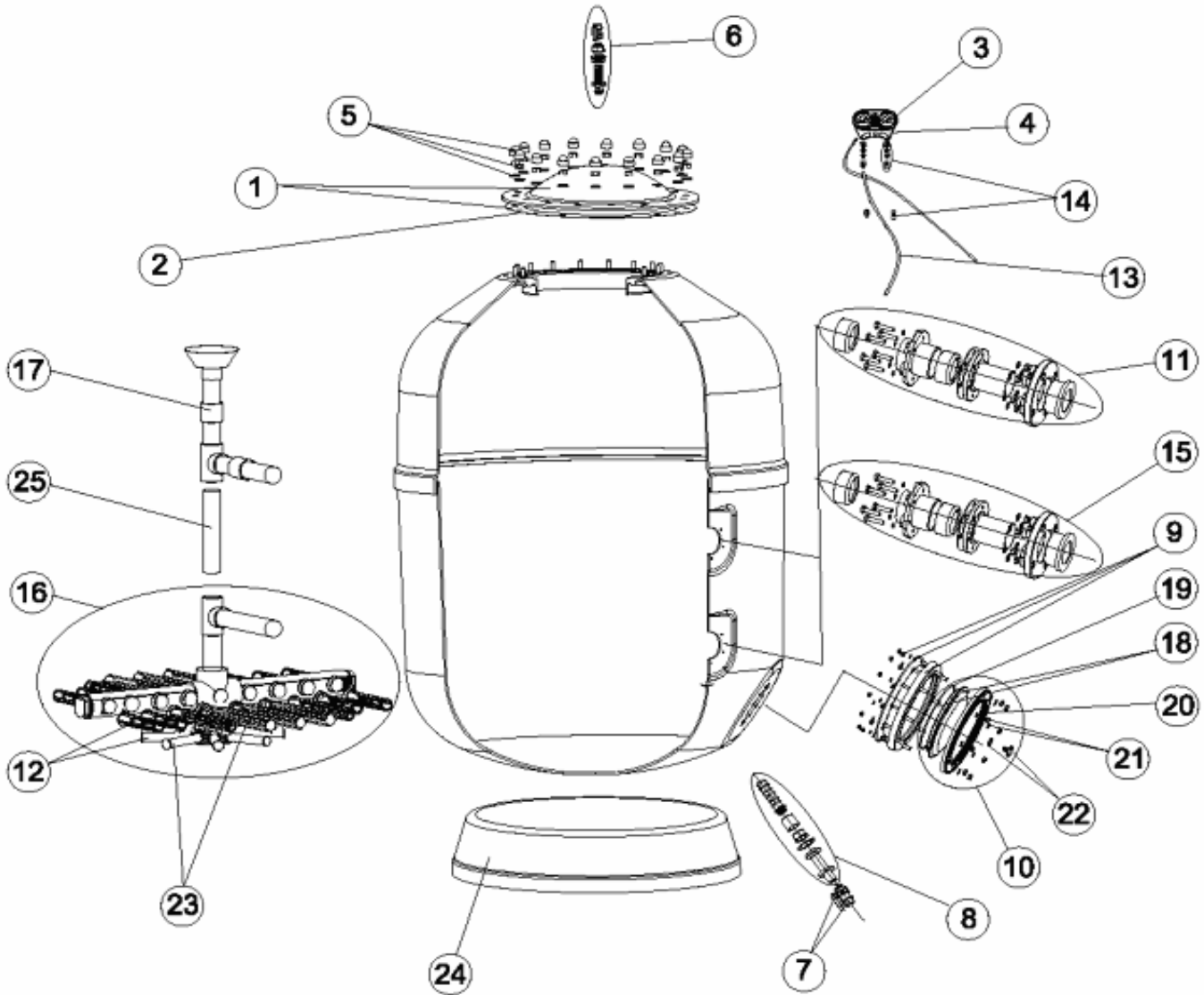
**CODIGO**                    **20068, 20069, 20070, 20071, 20072, 21497, 21498, 21499, 21500, 21501, 21502, 21503, 21504, 21505, 21506, 21507, 21508, 21509, 21510**

**DESCRIPCION:**                    **FILTRO EUROPA 1M. 2,5 KG. D.1050-1200-1400-1600-1800-2000**

17	4404160045	PARA 20069
17	4404160046	PARA 21497
17	4404160047	PARA 21498
17	4404160048	PARA 21499
17	4404160049	PARA 21500
17	4404160050	PARA 21501
17	4404160051	PARA 21502
17	4404160052	PARA 21503
17	4404160053	PARA 21504
17	4404160054	PARA 21505
17	4404160055	PARA 21506
17	4404160056	PARA 21507
17	4404160057	PARA 21508
17	4404160058	PARA 21509
17	4404160059	PARA 21510
23	4404160851	PARA 20070, 20071, 20072, 20068, 20069
23	4404160852	PARA 21497, 21498, 21499
23	4404160853	PARA 21500, 21501, 21502
23	4404160854	PARA 21503, 21504, 21505, 21506
23	4404160855	PARA 21507, 21508, 21509, 21510
24	20070R0150	PARA 20070, 20071, 20072
24	20068R0150	PARA 20068, 20069
24	21511R0150	PARA 21497, 21498, 21499
24	21514R0150	PARA 21500, 21501, 21502
24	21517R0150	PARA 21503, 21504, 21505, 21506
24	21521R0150	PARA 21507, 21508, 21509, 21510
25	21512R0423	PARA 21498
25	21513R0423	PARA 21499
25	21500R0423	PARA 21500
25	21515R0423	PARA 21501
25	21502R0423	PARA 21502
25	21503R0423	PARA 21503
25	21504R0423	PARA 21504
25	21519R0423	PARA 21505
25	21506R0423	PARA 21506
25	21507R0423	PARA 21507
25	21508R0423	PARA 21508
25	21523R0423	PARA 21509
25	21510R0423	PARA 21510

CODE **20068, 20069, 20070, 20071, 20072, 21497, 21498, 21499, 21500, 21501, 21502, 21503, 21504, 21505, 21506, 21507, 21508, 21509, 21510**

DESCRIPTION: **FILTRE EUROPA 1M. 2,5 KG. D.1050-1200-1400**



**FRANCAIS**

POS	CODE	DESCRIPTION	POS	CODE	DESCRIPTION
1	4404160102	COUVERCLE FILTRE + JOINT	11	*4404160833	ENSEMBLE ENTREE 110 1800-2000
2	4404160101	JOINT TORIQUE COUVERCLE	11	*4404160834	ENSEMBLE ENTREE 125 1800-2000
3	4404170102	MANOMETRE 3 BARS	11	*4404160816	ENSEMBLE ENTREE 140 1800-2000
4	4404170105	CORPS FACADE MANOMETRES	11	*4404160817	ENSEMBLE ENTREE 160 2000
5	4404260211	VISSERIE COUVERCLE DE FILTRE	12	*4404160818	"BRAS DE REPARTITEUR 11/2" 90 MM."
6	4404260210	FIXATION MANOMETRE	12	*4404160819	"BRAS DE REPARTITEUR 11/2" 160 MM."
6	4404160806	"PURGE D'AIR 3/4""	12	*4404160820	"BRAS DE REPARTITEUR 11/2" 225 MM."
7	4404160807	"VANNE A BOISSEAU SPHERIQUE 3/4""	12	*4404160821	"BRAS DE REPARTITEUR 11/2" 260 MM."
8	4404160808	"PURGE D'EAU 3/4""	12	*4404160822	"BRAS DE REPARTITEUR 11/2" 325 MM."
9	4404160809	BRIDE GORGE 20 VIS	12	*4404160823	"BRAS DE REPARTITEUR 11/2" 360 MM."
10	4404160810	BOUCHON PURGE SABLE	12	*4404160824	"BRAS DE REPARTITEUR 11/2" 425 MM."
11	*4404160811	ENSEMBLE ENTREE 63 1050	12	*4404160825	"BRAS DE REPARTITEUR 11/2" 460 MM."
11	*4404160812	ENSEMBLE ENTREE 75 1050	12	*4404160826	"BRAS DE REPARTITEUR 11/2" 525 MM."
11	*4404160813	ENSEMBLE ENTREE 90 1050	12	*4404300915	"BRAS DE REPARTITEUR 1" 175 MM"
11	*4404160830	ENSEMBLE ENTREE 75 1200-1400	13	4404170104	RACCORD FACADE + TUBE
11	*4404160831	ENSEMBLE ENTREE 90 1200-1400-1600	14	4404170103	PURGE D'AIR
11	*4404160814	ENSEMBLE ENTREE 110 1400-1600	15	*4404160835	ENSEMBLE SORTIE EUROPE D.63 POUR 1050
11	*4404160815	ENSEMBLE ENTREE 125 1600	15	*4404160836	ENSEMBLE SORTIE EUROPE D.75 POUR 1050
11	*4404160832	ENSEMBLE ENTREE 90 1800	15	*4404160837	ENSEMBLE SORTIE EUROPE D.90 POUR 1050

CODE **20068, 20069, 20070, 20071, 20072, 21497, 21498, 21499, 21500, 21501, 21502, 21503, 21504, 21505, 21506, 21507, 21508, 21509, 21510**

DESCRIPTION: **FILTRE EUROPA 1M. 2,5 KG. D.1050-1200-1400**

15	* 4404160838	ENSEMBLE SORTIE EUROPE D.75 POUR 1200-1400	17	* 4404160051	ENSEMBLE DIFFUSEUR D. 125 - 1600
15	* 4404160839	ENSEMBLE SORTIE EUROPE D.90 POUR 1200-1400	17	* 4404160052	ENSEMBLE DIFFUSEUR D. 90 - 1800
15	* 4404160840	ENSEMBLE SORTIE EUROPE D.110 PARA 1400-1600	17	* 4404160053	ENSEMBLE DIFFUSEUR D. 110 - 1800
15	* 4404160841	ENSEMBLE SORTIE EUROPE D.125 POUR 1600	17	* 4404160054	ENSEMBLE DIFFUSEUR D. 125 - 1800
15	* 4404160842	ENSEMBLE SORTIE EUROPE D.90 POUR 1800	17	* 4404160055	ENSEMBLE DIFFUSEUR D. 140 - 1800
15	* 4404160843	ENSEMBLE SORTIE EUROPE D.110 POUR 1800-2000	17	* 4404160056	ENSEMBLE DIFFUSEUR D. 110 - 2000
15	* 4404160844	ENSEMBLE SORTIE EUROPE D.125 POUR 1800-2000	17	* 4404160057	ENSEMBLE DIFFUSEUR D. 125 - 2000
15	* 4404160845	ENSEMBLE SORTIE EUROPE D.140 POUR 1800-2000	17	* 4404160058	ENSEMBLE DIFFUSEUR D. 140 - 2000
15	* 4404160846	ENSEMBLE SORTIE EUROPE D.160 POUR 2000	17	* 4404160059	ENSEMBLE DIFFUSEUR D. 160 - 2000
16	* 4404160060	ENSEMBLE COLLECTEUR D. 63 - 1050	18	4404160847	COUVERCLE FILTRE D. 220 NOIR
16	* 4404160061	ENSEMBLE COLLECTEUR D. 75 - 1050	19	4404260106	JOINT BRIDE FIXATION VANNE TOP
16	* 4404160062	ENSEMBLE COLLECTEUR D. 90 - 1050	20	4404160849	BRIDE DE FIXATION COUVERCLE
16	* 4404160063	ENSEMBLE COLLECTEUR D. 75 - 1200	21	4404160850	VISSERIE FIXATION COUVERCLE M8
16	* 4404160064	ENSEMBLE COLLECTEUR D. 90 - 1200	22	4404040113	BOUCHON PURGE ET JOINT
16	* 4404160065	ENSEMBLE COLLECTEUR D. 75 - 1400	23	* 4404160851	ENSEMBLE BRAS DE REPARTITEUR D. 1050 - 1200
16	* 4404160066	ENSEMBLE COLLECTEUR D. 90 - 1400	23	* 4404160852	ENSEMBLE BRAS DE REPARTITEUR D. 1400
16	* 4404160067	ENSEMBLE COLLECTEUR D. 110 - 1400	23	* 4404160853	ENSEMBLE BRAS DE REPARTITEUR D. 1600
16	* 4404160068	ENSEMBLE COLLECTEUR D. 90 - 1600	23	* 4404160854	ENSEMBLE BRAS DE REPARTITEUR D. 1800
16	* 4404160069	ENSEMBLE COLLECTEUR D. 110 - 1600	23	* 4404160855	ENSEMBLE BRAS DE REPARTITEUR D. 2000
16	* 4404160070	ENSEMBLE COLLECTEUR D. 125 - 1600	24	* 20070R0150	SOCLE FILTRE 1050 EUROPE
16	* 4404160071	ENSEMBLE COLLECTEUR D. 90 - 1800	24	* 20068R0150	SOCLE FILTRE 1200 EUROPE
16	* 4404160072	ENSEMBLE COLLECTEUR D. 110 - 1800	24	* 21511R0150	SOCLE FILTRE 1400 EUROPE
16	* 4404160073	ENSEMBLE COLLECTEUR D. 125 - 1800	24	* 21514R0150	SOCLE FILTRE 1600 EUROPE
16	* 4404160074	ENSEMBLE COLLECTEUR D. 140 - 1800	24	* 21517R0150	SOCLE FILTRE 1800 EUROPE
16	* 4404160075	ENSEMBLE COLLECTEUR D. 110 - 2000	24	* 21521R0150	SOCLE FILTRE 2000 EUROPE
16	* 4404160076	ENSEMBLE COLLECTEUR D. 125 - 2000	25	* 21512R0423	TUBE SUPPORT DIFFUSEUR D.90 POUR 1400
16	* 4404160077	ENSEMBLE COLLECTEUR D. 140 - 2000	25	* 21513R0423	TUBE SUPPORT DIFFUSEUR D.110 POUR 1400
16	* 4404160078	ENSEMBLE COLLECTEUR D. 160 - 2000	25	* 21500R0423	TUBE SUPPORT DIFFUSEUR D.90 POUR 1600
17	* 4404160041	ENSEMBLE DIFFUSEUR D. 63 - 1050	25	* 21515R0423	TUBE SUPPORT DIFFUSEUR D.110 POUR 1600
17	* 4404160042	ENSEMBLE DIFFUSEUR D. 75 - 1050	25	* 21502R0423	TUBE SUPPORT DIFFUSEUR D.125 POUR 1600
17	* 4404160043	ENSEMBLE DIFFUSEUR D. 90 - 1050	25	* 21503R0423	TUBE SUPPORT DIFFUSEUR D.90 POUR 1800
17	* 4404160044	ENSEMBLE DIFFUSEUR D. 75 - 1200	25	* 21504R0423	TUBE SUPPORT DIFFUSEUR D.110 POUR 1800
17	* 4404160045	ENSEMBLE DIFFUSEUR D. 90 - 1200	25	* 21519R0423	TUBE SUPPORT DIFFUSEUR D.125 POUR 1800
17	* 4404160046	ENSEMBLE DIFFUSEUR D. 75 - 1400	25	* 21506R0423	TUBE SUPPORT DIFFUSEUR D.140 POUR 1800
17	* 4404160047	ENSEMBLE DIFFUSEUR D. 90 - 1400	25	* 21507R0423	TUBE SUPPORT DIFFUSEUR D.110 POUR 2000
17	* 4404160048	ENSEMBLE DIFFUSEUR D. 110 - 1400	25	* 21508R0423	TUBE SUPPORT DIFFUSEUR D.125 POUR 2000
17	* 4404160049	ENSEMBLE DIFFUSEUR D. 90 - 1600	25	* 21523R0423	TUBE SUPPORT DIFFUSEUR D.140 POUR 2000
17	* 4404160050	ENSEMBLE DIFFUSEUR D. 110 - 1600	25	* 21510R0423	TUBE SUPPORT DIFFUSEUR D.160 POUR 2000

**CODE**                    **20068, 20069, 20070, 20071, 20072, 21497, 21498, 21499, 21500, 21501, 21502, 21503, 21504, 21505, 21506, 21507, 21508, 21509, 21510**

**DESCRIPTION:**                    **FILTRE EUROPA 1M. 2,5 KG. D.1050-1200-1400**

**OBSERVATIONS**

POSICIÓN	PIEZA	OBSERVACIÓN
11	4404160811	PARA 20070
11	4404160812	PARA 20071
11	4404160813	PARA 20072
11	4404160830	PARA 20068, 21497
11	4404160831	PARA 20069, 21498, 21500
11	4404160814	PARA 21499, 21500
11	4404160815	PARA 21502
11	4404160832	PARA 21503
11	4404160833	PARA 21504, 21507
11	4404160834	PARA 21505, 21508
11	4404160816	PARA 21506, 21509
11	4404160817	PARA 21510
12	4404160818	PARA (21500-2) (21501-2) (21502-2) (21503-4) (21504-2) (21505-2) (21506-2) (21507-2) (21508-2) (21509-2) (21510-2)
12	4404160819	PARA (20070-2) (20071-2) (20072-2) (20068-2) (20069-2) (21500-8) (21501-8) (21502-8) (21503-10) (21504-10) (21505-10) (21506-10)
12	4404160820	PARA (21500-2) (21501-2) (21502-2)
12	4404160821	PARA (21497-2) (21498-2) (21499-2) (21503-2) (21504-2) (21505-2) (21506-2) (21507-12) (21508-12) (21509-12) (21510-12)
12	4404160822	PARA (20070-2) (20071-2) (20072-2) (20068-2) (20069-2) (21497-2) (21498-2) (21499-2) (21500-2) (21501-2) (21502-2) (21507-2) (21508-2) (21509-2) (21510-2)
12	4404160823	PARA (20070-3) (20071-3) (20072-3) (20068-3) (20069-3) (21500-3) (21501-3) (21502-3) (21503-2) (21504-2) (21505-2) (21506-2) (21507-3) (21508-3) (21509-3) (21510-3)
12	4404160824	PARA (21503-2) (21504-2) (21505-2) (21506-2) (21507-2) (21508-2) (21509-2) (21510-2)
12	4404160825	PARA (21497-2) (21498-2) (21499-2) (21503-3) (21504-3) (21505-3) (21506-3)
12	4404160826	PARA (21497-3) (21498-3) (21499-3)
12	4404300915	PARA (20070-4) (20071-4) (20072-4) (20068-4) (20069-4) (21497-6) (21498-6) (21499-6) (21500-6) (21501-6) (21502-6) (21503-6) (21504-6) (21505-6) (21506-6) (21507-6) (21508-6) (21509-6) (21510-6)
15	4404160835	PARA 20070
15	4404160836	PARA 20071
15	4404160837	PARA 20072
15	4404160838	PARA 20068, 21497
15	4404160839	PARA 20069, 21498, 21500
15	4404160840	PARA 21499, 21500
15	4404160841	PARA 21502
15	4404160842	PARA 21503
15	4404160843	PARA 21504, 21507
15	4404160844	PARA 21505, 21508
15	4404160845	PARA 21506, 21509
15	4404160846	PARA 21510
16	4404160060	PARA 20070
16	4404160061	PARA 20071
16	4404160062	PARA 20072
16	4404160063	PARA 2068
16	4404160064	PARA 20069
16	4404160065	PARA 21497
16	4404160066	PARA 21498
16	4404160067	PARA 21499
16	4404160068	PARA 21500
16	4404160069	PARA 21501
16	4404160070	PARA 21502
16	4404160071	PARA 21503
16	4404160072	PARA 21504
16	4404160073	PARA 21505
16	4404160074	PARA 21506
16	4404160075	PARA 21507
16	4404160076	PARA 21508
16	4404160077	PARA 21509
16	4404160078	PARA 21510
17	4404160041	PARA 20070
17	4404160042	PARA 20071
17	4404160043	PARA 20072
17	4404160044	PARA 20068

CODE **20068, 20069, 20070, 20071, 20072, 21497, 21498, 21499, 21500, 21501, 21502, 21503, 21504, 21505, 21506, 21507, 21508, 21509, 21510**

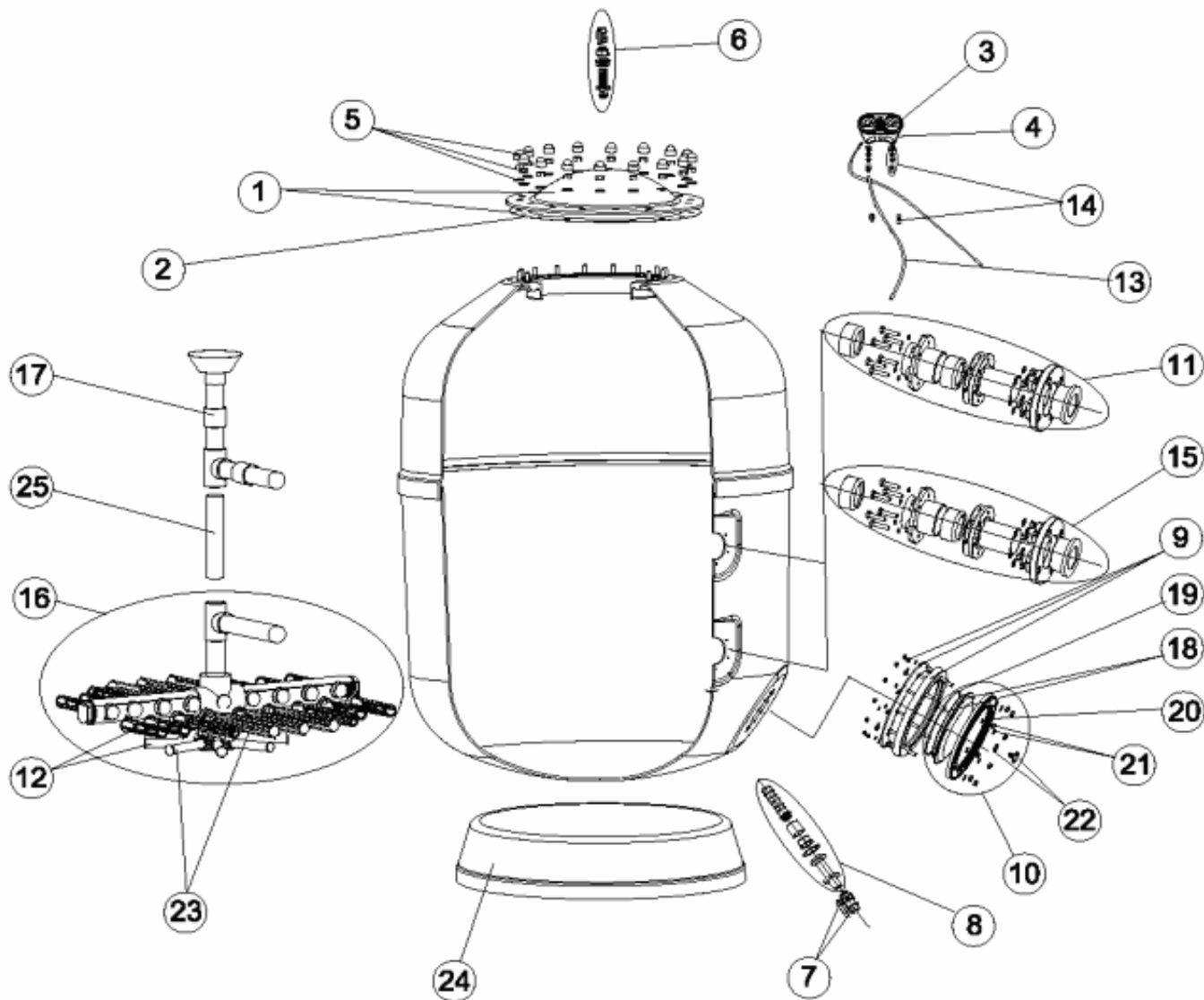
DESCRIPTION: **FILTRE EUROPA 1M. 2,5 KG. D.1050-1200-1400**

17	4404160045	PARA 20069
17	4404160046	PARA 21497
17	4404160047	PARA 21498
17	4404160048	PARA 21499
17	4404160049	PARA 21500
17	4404160050	PARA 21501
17	4404160051	PARA 21502
17	4404160052	PARA 21503
17	4404160053	PARA 21504
17	4404160054	PARA 21505
17	4404160055	PARA 21506
17	4404160056	PARA 21507
17	4404160057	PARA 21508
17	4404160058	PARA 21509
17	4404160059	PARA 21510
23	4404160851	PARA 20070, 20071, 20072, 20068, 20069
23	4404160852	PARA 21497, 21498, 21499
23	4404160853	PARA 21500, 21501, 21502
23	4404160854	PARA 21503, 21504, 21505, 21506
23	4404160855	PARA 21507, 21508, 21509, 21510
24	20070R0150	PARA 20070, 20071, 20072
24	20068R0150	PARA 20068, 20069
24	21511R0150	PARA 21497, 21498, 21499
24	21514R0150	PARA 21500, 21501, 21502
24	21517R0150	PARA 21503, 21504, 21505, 21506
24	21521R0150	PARA 21507, 21508, 21509, 21510
25	21512R0423	PARA 21498
25	21513R0423	PARA 21499
25	21500R0423	PARA 21500
25	21515R0423	PARA 21501
25	21502R0423	PARA 21502
25	21503R0423	PARA 21503
25	21504R0423	PARA 21504
25	21519R0423	PARA 21505
25	21506R0423	PARA 21506
25	21507R0423	PARA 21507
25	21508R0423	PARA 21508
25	21523R0423	PARA 21509
25	21510R0423	PARA 21510



**CODICE** 20068, 20069, 20070, 20071, 20072, 21497, 21498, 21499, 21500, 21501, 21502, 21503, 21504, 21505, 21506, 21507, 21508, 21509, 21510

**DESCRIZIONE:** **FILTRO EUROPA 1M. 2,5 KG D. 1050-1200-1400**



**ITALIANO**

POS	CODICE	DESCRIZIONE	POS	CODICE	DESCRIZIONE
1	4404160102	COPERCHIO FILTRO + GUARNIZIONE	11	*4404160833	GRUPPO ENTRATA 110 1800-2000
2	4404160101	O-RING COPERCHIO	11	*4404160834	GRUPPO ENTRATA 125 1800-2000
3	4404170102	MANOMETRO 3 ATM	11	*4404160816	GRUPPO ENTRATA 140 1800-2000
4	4404170105	CORPO PANNELLO MANOMETRI	11	*4404160817	GRUPPO ENTRATA 160 2000
5	4404260211	BULLONERIA COPERCHIO FILTRO	12	*4404160818	"CANDELOTTO COLLECTORE 11/2" 90 M/M."
6	4404260210	FISSAGGIO MANOMETRO	12	*4404160819	"CANDELOTTO COLLECTORE 11/2" 160 M/M."
6	4404160806	*SFIATO ARIA 3/4"	12	*4404160820	"CANDELOTTO COLLECTORE 11/2" 225 M/M."
7	4404160807	*VALVOLA A SFERA 3/4"	12	*4404160821	"CANDELOTTO COLLECTORE 11/2" 260 M/M."
8	4404160808	*SCARICO ACQUA 3/4"	12	*4404160822	"CANDELOTTO COLLECTORE 11/2" 325 M/M."
9	4404160809	ANELLO COLLO 20 VITI	12	*4404160823	"CANDELOTTO COLLECTORE 11/2" 360 M/M."
10	4404160810	COPERCHIO SVUOTAMENTO SABBIA	12	*4404160824	"CANDELOTTO COLLECTORE 11/2" 425 M/M."
11	*4404160811	GRUPPO ENTRATA 63 1050	12	*4404160825	"CANDELOTTO COLLECTORE 11/2" 460 M/M."
11	*4404160812	GRUPPO ENTRATA 75 1050	12	*4404160826	"CANDELOTTO COLLECTORE 11/2" 525 M/M."
11	*4404160813	GRUPPO ENTRATA 90 1050	12	*4404300915	"CANDELOTTO COLLECTORE 1" 175 MM"
11	*4404160830	GRUPPO ENTRATA 75 1200-1400	13	4404170104	RACCORDO PANNELLO + TUBO
11	*4404160831	GRUPPO ENTRATA 90 1200-1400-1600	14	4404170103	SFIATO PANNELLO MANOMETRI
11	*4404160814	GRUPPO ENTRATA 110 1400-1600	15	*4404160835	KIT USCITE D. 63 FILTRO EUROPE D. 1050
11	*4404160815	GRUPPO ENTRATA 125 1600	15	*4404160836	KIT USCITE D. 75 FILTRO EUROPE D. 1050
11	*4404160832	GRUPPO ENTRATA 90 1800	15	*4404160837	KIT USCITE D. 90 FILTRO EUROPE D. 1050

**CODICE**                    **20068, 20069, 20070, 20071, 20072, 21497, 21498, 21499, 21500, 21501, 21502, 21503, 21504, 21505, 21506, 21507, 21508, 21509, 21510**

**DESCRIZIONE:**                    **FILTRO EUROPA 1M. 2,5 KG D. 1050-1200-1400**

15	* 4404160838	KIT USCITE D. 75 FILTRO EUROPE D. 1200-1400	17	* 4404160051	RACCORDO DIFFUSORE D. 125 - 1600
15	* 4404160839	KIT USCITE D. 90 FILTRO EUROPE D. 1200-1400	17	* 4404160052	RACCORDO DIFFUSORE D. 90 - 1800
15	* 4404160840	KIT USCITE D. 110 FILTRO EUROPE D. 1400-1600	17	* 4404160053	RACCORDO DIFFUSORE D. 110 - 1800
15	* 4404160841	KIT USCITE D. 125 FILTRO EUROPE D. 1600	17	* 4404160054	RACCORDO DIFFUSORE D. 125 - 1800
15	* 4404160842	KIT USCITE D. 90 FILTRO EUROPE D. 1800	17	* 4404160055	RACCORDO DIFFUSORE D. 140 - 1800
15	* 4404160843	KIT USCITE D. 110 FILTRO EUROPE D. 1800-2000	17	* 4404160056	RACCORDO DIFFUSORE D. 110 - 2000
15	* 4404160844	ENSEMBLE SORTIE EUROPE D.125 POUR 1800-2000	17	* 4404160057	RACCORDO DIFFUSORE D. 125 - 2000
15	* 4404160845	KIT USCITE D. 140 FILTRO EUROPE D. 1800-2000	17	* 4404160058	RACCORDO DIFFUSORE D. 140 - 2000
15	* 4404160846	KIT USCITE D. 160 FILTRO EUROPE D. 2000	17	* 4404160059	RACCORDO DIFFUSORE D. 160 - 2000
16	* 4404160060	KIT COLLETTORE D. 63 - 1050	18	4404160847	COPERCHIO FILTRO D. 220 NERO
16	* 4404160061	KIT COLLETTORE D. 75 - 1050	19	4404260106	GUARNIZIONE FLANGIA FISSAGGIO VALVOLE TOP
16	* 4404160062	KIT COLLETTORE D. 90 - 1050	20	4404160849	FLANGIA FISSAGGIO COPERCHIO
16	* 4404160063	KIT COLLETTORE D. 75 - 1200	21	4404160850	BULLONERIA FISSAGGIO COPERCHIO M8
16	* 4404160064	KIT COLLETTORE D. 90 - 1200	22	4404040113	TAPPO SPURGO E GUARNIZIONE
16	* 4404160065	KIT COLLETTORE D. 75 - 1400	23	* 4404160851	GRUPPO CANDELOTTO COLLECTORE D. 1050 - 1200
16	* 4404160066	KIT COLLETTORE D. 90 - 1400	23	* 4404160852	GRUPPO CANDELOTTO COLLECTORE D. 1400
16	* 4404160067	KIT COLLETTORE D. 110 - 1400	23	* 4404160853	GRUPPO CANDELOTTO COLLECTORE D. 1600
16	* 4404160068	KIT COLLETTORE D. 90 - 1600	23	* 4404160854	GRUPPO CANDELOTTO COLLECTORE D. 1800
16	* 4404160069	KIT COLLETTORE D. 110 - 1600	23	* 4404160855	GRUPPO CANDELOTTO COLLECTORE D. 2000
16	* 4404160070	KIT COLLETTORE D. 125 - 1600	24	* 20070R0150	BASE FILTRO D 1050 EUROPE
16	* 4404160071	KIT COLLETTORE D. 90 - 1800	24	* 20068R0150	BASE FILTRO D 1200 EUROPE
16	* 4404160072	KIT COLLETTORE D. 110 - 1800	24	* 21511R0150	BASE D. 1400
16	* 4404160073	KIT COLLETTORE D. 125 - 1800	24	* 21514R0150	BASE FILTRO D 1600 EUROPE
16	* 4404160074	KIT COLLETTORE D. 140 - 1800	24	* 21517R0150	BASE FILTRO D 1800 EUROPE
16	* 4404160075	KIT COLLETTORE D. 110 - 2000	24	* 21521R0150	BASE FILTRO D 2000 EUROPE
16	* 4404160076	KIT COLLETTORE D. 125 - 2000	25	* 21512R0423	TUBO SUPPORTO DIFFUSORE D. 90 PER 1400
16	* 4404160077	KIT COLLETTORE D. 140 - 2000	25	* 21513R0423	TUBO SUPPORTO DIFFUSORE D. 110 PER 1400
16	* 4404160078	KIT COLLETTORE D. 160 - 2000	25	* 21500R0423	TUBO SUPPORTO DIFFUSORE D. 90 PER 1600
17	* 4404160041	RACCORDO DIFFUSORE D. 63 - 1050	25	* 21515R0423	TUBO SUPPORTO DIFFUSORE D. 110 PER 1600
17	* 4404160042	RACCORDO DIFFUSORE D. 75 - 1050	25	* 21502R0423	TUBO SUPPORTO DIFFUSORE D. 125 PER 1600
17	* 4404160043	RACCORDO DIFFUSORE D. 90 - 1050	25	* 21503R0423	TUBO SUPPORTO DIFFUSORE D. 90 PER 1800
17	* 4404160044	RACCORDO DIFFUSORE D. 75 - 1200	25	* 21504R0423	TUBO SUPPORTO DIFFUSORE D. 110 PER 1800
17	* 4404160045	RACCORDO DIFFUSORE D. 90 - 1200	25	* 21519R0423	TUBO SUPPORTO DIFFUSORE D. 125 PER 1800
17	* 4404160046	RACCORDO DIFFUSORE D. 75 - 1400	25	* 21506R0423	TUBO SUPPORTO DIFFUSORE D. 140 PER 1800
17	* 4404160047	RACCORDO DIFFUSORE D. 90 - 1400	25	* 21507R0423	TUBO SUPPORTO DIFFUSORE D. 110 PER 2000
17	* 4404160048	RACCORDO DIFFUSORE D. 110 - 1400	25	* 21508R0423	TUBO SUPPORTO DIFFUSORE D. 125 PER 2000
17	* 4404160049	RACCORDO DIFFUSORE D. 90 - 1600	25	* 21523R0423	TUBO SUPPORTO DIFFUSORE D. 140 PER 2000
17	* 4404160050	RACCORDO DIFFUSORE D. 110 - 1600	25	* 21510R0423	TUBO SUPPORTO DIFFUSORE D. 160 PER 2000

**CODICE**                    **20068, 20069, 20070, 20071, 20072, 21497, 21498, 21499, 21500, 21501, 21502, 21503, 21504, 21505, 21506, 21507, 21508, 21509, 21510**

**DESCRIZIONE:**                    **FILTRO EUROPA 1M. 2,5 KG D. 1050-1200-1400**

**OSSERVAZIONI**

POSICIÓN	PIEZA	OBSERVACIÓN
11	4404160811	PARA 20070
11	4404160812	PARA 20071
11	4404160813	PARA 20072
11	4404160830	PARA 20068, 21497
11	4404160831	PARA 20069, 21498, 21500
11	4404160814	PARA 21499, 21500
11	4404160815	PARA 21502
11	4404160832	PARA 21503
11	4404160833	PARA 21504, 21507
11	4404160834	PARA 21505, 21508
11	4404160816	PARA 21506, 21509
11	4404160817	PARA 21510
12	4404160818	PARA (21500-2) (21501-2) (21502-2) (21503-4) (21504-2) (21505-2) (21506-2) (21507-2) (21508-2) (21509-2) (21510-2)
12	4404160819	PARA (20070-2) (20071-2) (20072-2) (20068-2) (20069-2) (21500-8) (21501-8) (21502-8) (21503-10) (21504-10) (21505-10) (21506-10)
12	4404160820	PARA (21500-2) (21501-2) (21502-2)
12	4404160821	PARA (21497-2) (21498-2) (21499-2) (21503-2) (21504-2) (21505-2) (21506-2) (21507-12) (21508-12) (21509-12) (21510-12)
12	4404160822	PARA (20070-2) (20071-2) (20072-2) (20068-2) (20069-2) (21497-2) (21498-2) (21499-2) (21500-2) (21501-2) (21502-2) (21507-2) (21508-2) (21509-2) (21510-2)
12	4404160823	PARA (20070-3) (20071-3) (20072-3) (20068-3) (20069-3) (21500-3) (21501-3) (21502-3) (21503-2) (21504-2) (21505-2) (21506-2) (21507-3) (21508-3) (21509-3) (21510-3)
12	4404160824	PARA (21503-2) (21504-2) (21505-2) (21506-2) (21507-2) (21508-2) (21509-2) (21510-2)
12	4404160825	PARA (21497-2) (21498-2) (21499-2) (21503-3) (21504-3) (21505-3) (21506-3)
12	4404160826	PARA (21497-3) (21498-3) (21499-3)
12	4404300915	PARA (20070-4) (20071-4) (20072-4) (20068-4) (20069-4) (21497-6) (21498-6) (21499-6) (21500-6) (21501-6) (21502-6) (21503-6) (21504-6) (21505-6) (21506-6) (21507-6) (21508-6) (21509-6) (21510-6)
15	4404160835	PARA 20070
15	4404160836	PARA 20071
15	4404160837	PARA 20072
15	4404160838	PARA 20068, 21497
15	4404160839	PARA 20069, 21498, 21500
15	4404160840	PARA 21499, 21500
15	4404160841	PARA 21502
15	4404160842	PARA 21503
15	4404160843	PARA 21504, 21507
15	4404160844	PARA 21505, 21508
15	4404160845	PARA 21506, 21509
15	4404160846	PARA 21510
16	4404160060	PARA 20070
16	4404160061	PARA 20071
16	4404160062	PARA 20072
16	4404160063	PARA 2068
16	4404160064	PARA 20069
16	4404160065	PARA 21497
16	4404160066	PARA 21498
16	4404160067	PARA 21499
16	4404160068	PARA 21500
16	4404160069	PARA 21501
16	4404160070	PARA 21502
16	4404160071	PARA 21503
16	4404160072	PARA 21504
16	4404160073	PARA 21505
16	4404160074	PARA 21506
16	4404160075	PARA 21507
16	4404160076	PARA 21508
16	4404160077	PARA 21509
16	4404160078	PARA 21510
17	4404160041	PARA 20070
17	4404160042	PARA 20071
17	4404160043	PARA 20072
17	4404160044	PARA 20068

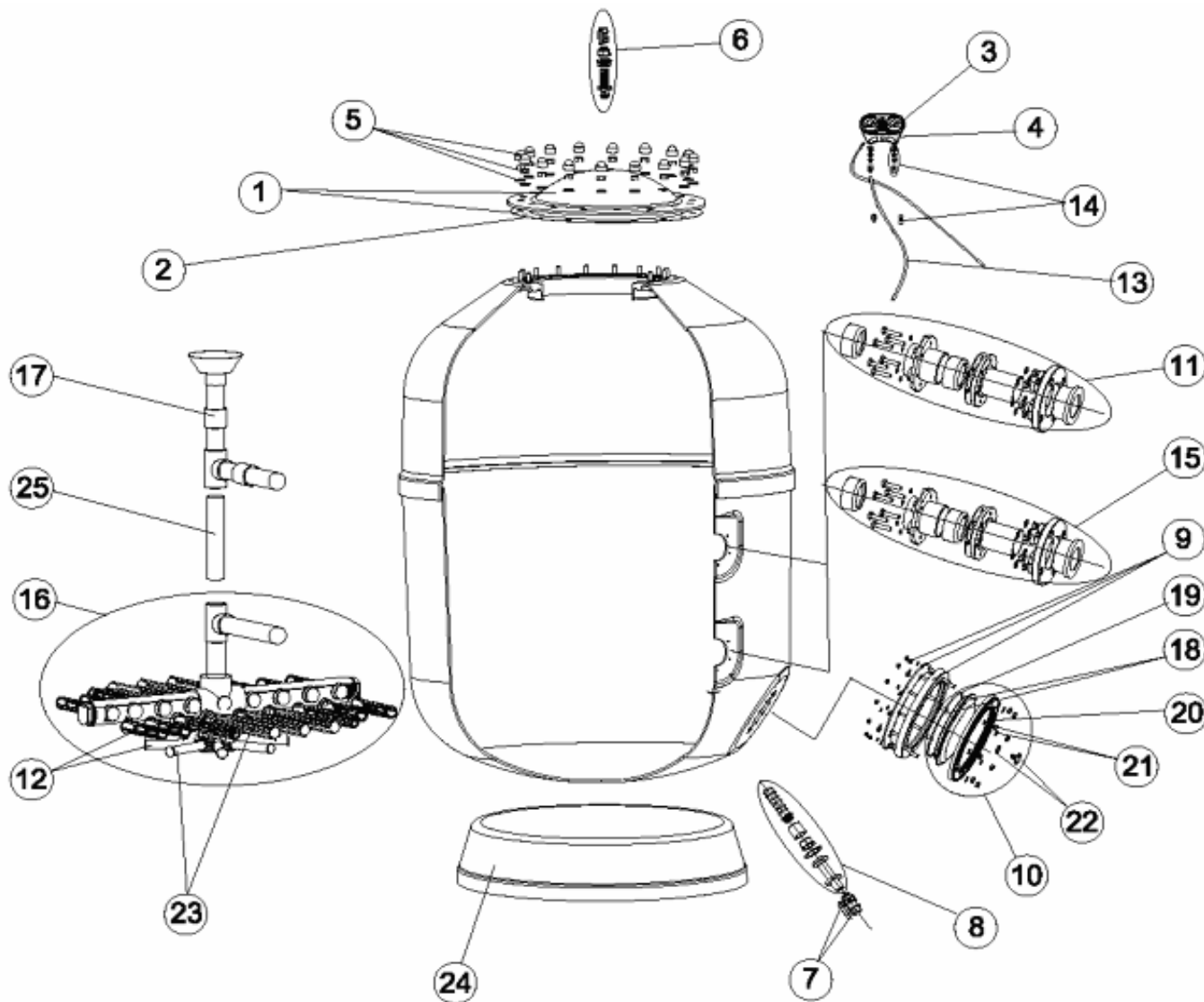
**CODICE**                    **20068, 20069, 20070, 20071, 20072, 21497, 21498, 21499, 21500, 21501, 21502, 21503, 21504, 21505, 21506, 21507, 21508, 21509, 21510**

**DESCRIZIONE:**                    **FILTRO EUROPA 1M. 2,5 KG D. 1050-1200-1400**

17	4404160045	PARA 20069
17	4404160046	PARA 21497
17	4404160047	PARA 21498
17	4404160048	PARA 21499
17	4404160049	PARA 21500
17	4404160050	PARA 21501
17	4404160051	PARA 21502
17	4404160052	PARA 21503
17	4404160053	PARA 21504
17	4404160054	PARA 21505
17	4404160055	PARA 21506
17	4404160056	PARA 21507
17	4404160057	PARA 21508
17	4404160058	PARA 21509
17	4404160059	PARA 21510
23	4404160851	PARA 20070, 20071, 20072, 20068, 20069
23	4404160852	PARA 21497, 21498, 21499
23	4404160853	PARA 21500, 21501, 21502
23	4404160854	PARA 21503, 21504, 21505, 21506
23	4404160855	PARA 21507, 21508, 21509, 21510
24	20070R0150	PARA 20070, 20071, 20072
24	20068R0150	PARA 20068, 20069
24	21511R0150	PARA 21497, 21498, 21499
24	21514R0150	PARA 21500, 21501, 21502
24	21517R0150	PARA 21503, 21504, 21505, 21506
24	21521R0150	PARA 21507, 21508, 21509, 21510
25	21512R0423	PARA 21498
25	21513R0423	PARA 21499
25	21500R0423	PARA 21500
25	21515R0423	PARA 21501
25	21502R0423	PARA 21502
25	21503R0423	PARA 21503
25	21504R0423	PARA 21504
25	21519R0423	PARA 21505
25	21506R0423	PARA 21506
25	21507R0423	PARA 21507
25	21508R0423	PARA 21508
25	21523R0423	PARA 21509
25	21510R0423	PARA 21510

**CODIGO** 20068, 20069, 20070, 20071, 20072, 21497, 21498, 21499, 21500, 21501, 21502, 21503, 21504, 21505, 21506, 21507, 21508, 21509, 21510

**DESCRIÇÃO:** **FILTRO EUROPA 1 M. 2,5 KG. D. 1050-1200-1400**



**PORTUGUES**

POS	CODIGO	DESCRIÇÃO	POS	CODIGO	DESCRIÇÃO
1	4404160102	TAMPA FILTRO + JUNTA	11	*4404160833	CONJUNTO ENTRADA 110 1800-2000
2	4404160101	JUNTA TÓRICA TAMPA	11	*4404160834	CONJUNTO ENTRADA 125 1800-2000
3	4404170102	MANÓMETRO 3 ATM	11	*4404160816	CONJUNTO ENTRADA 140 1800-2000
4	4404170105	CORPO PAINEL MANÓMETRO	11	*4404160817	CONJUNTO ENTRADA 160 2000
5	4404260211	PARAFUSOS TAMPA FILTRO	12	*4404160818	"BRAÇO COLECTOR 11/2" 90 M/M."
6	4404260210	FIXAÇÃO MANOMETRO	12	*4404160819	"BRAÇO COLECTOR 11/2" 160 M/M."
6	4404160806	"PURGA AREIA 3/4"	12	*4404160820	"BRAÇO COLECTOR 11/2" 225 M/M."
7	4404160807	"VALVULA BOLA 3/4"	12	*4404160821	"BRAÇO COLECTOR 11/2" 260 M/M."
8	4404160808	"PURGA ÁGUA 3/4"	12	*4404160822	"BRAÇO COLECTOR 11/2" 325 M/M."
9	4404160809	ARO PESCOCOÇO 20 PARAFUSOS	12	*4404160823	"BRAÇO COLECTOR 11/2" 360 M/M."
10	4404160810	TAMPA ESVAZIAMENTO AREIA	12	*4404160824	"BRAÇO COLECTOR 11/2" 425 M/M."
11	*4404160811	CONJUNTO ENTRADA 63 1050	12	*4404160825	"BRAÇO COLECTOR 11/2" 460 M/M."
11	*4404160812	CONJUNTO ENTRADA 75 1050	12	*4404160826	"BRAÇO COLECTOR 11/2" 525 M/M."
11	*4404160813	CONJUNTO ENTRADA 90 1050	12	*4404300915	"BRAÇO COLECTOR 1" 175 MM"
11	*4404160830	CONJUNTO ENTRADA 75 1200-1400	13	4404170104	RACORD PAINEL + TUBO
11	*4404160831	CONJUNTO ENTRADA 90 1200-1400-1600	14	4404170103	PURGA PAINEL MANÓMETROS
11	*4404160814	CONJUNTO ENTRADA 110 1400-1600	15	*4404160835	CONJUNTO SAIDA EUROPE D. 63 PARA 1050
11	*4404160815	CONJUNTO ENTRADA 125 1600	15	*4404160836	CONJUNTO SAIDA EUROPE D. 75 PARA 1050
11	*4404160832	CONJUNTO ENTRADA 90 1800	15	*4404160837	CONJUNTO SAIDA EUROPE D. 90 PARA 1050

**CODIGO 20068, 20069, 20070, 20071, 20072, 21497, 21498, 21499, 21500, 21501, 21502, 21503, 21504, 21505, 21506, 21507, 21508, 21509, 21510**

**DESCRIÇÃO: FILTRO EUROPA 1 M. 2,5 KG. D. 1050-1200-1400**

15	* 4404160838	CONJUNTO SAIDA EUROPE D. 75 PARA 1200 - 1400	17	* 4404160051	CJTO. DIFUSOR D. 125 - 1600
15	* 4404160839	CONJUNTO SAIDA EUROPE D. 90 PARA 1200 - 1400 - 1600	17	* 4404160052	CJTO. DIFUSOR D. 90 - 1800
15	* 4404160840	CONJUNTO SAIDA EUROPE D. 110 PARA 1400 - 1600	17	* 4404160053	CJTO. DIFUSOR D. 110 - 1800
15	* 4404160841	CONJUNTO SAIDA EUROPE D. 125 PARA 1600	17	* 4404160054	CJTO. DIFUSOR D. 125 - 1800
15	* 4404160842	CONJUNTO SAIDA EUROPE D. 90 PARA 1800	17	* 4404160055	CJTO. DIFUSOR D. 140 - 1800
15	* 4404160843	CONJUNTO SAIDA EUROPE D. 110 PARA 1800 - 2000	17	* 4404160056	CJTO. DIFUSOR D. 110 - 2000
15	* 4404160844	CONJUNTO SAIDA EUROPE D. 125 PARA 1800 - 2000	17	* 4404160057	CJTO. DIFUSOR D. 125 - 2000
15	* 4404160845	CONJUNTO SAIDA EUROPE D. 140 PARA 1800 - 2000	17	* 4404160058	CJTO. DIFUSOR D. 140 - 2000
15	* 4404160846	CONJUNTO SAIDA EUROPE D. 160 PARA 2000	17	* 4404160059	CJTO. DIFUSOR D. 160 - 2000
16	* 4404160060	CONJ. COLECTOR D. 63 - 1050	18	4404160847	TAMPA FILTRO D.220 NEGRA
16	* 4404160061	CONJ. COLECTOR D. 75 - 1050	19	4404260106	JUNTA ARO FIXAÇÃO VALVULA TOP
16	* 4404160062	CONJ. COLECTOR D. 90 - 1050	20	4404160849	ARO FIXAÇÃO TAMPA
16	* 4404160063	CONJ. COLECTOR D. 75 - 1200	21	4404160850	PARAFUSOS FIXAÇÃO TAMPA M8
16	* 4404160064	CONJ. COLECTOR D. 90 - 1200	22	4404040113	TAMPÃO PURGA E JUNTA
16	* 4404160065	CONJ. COLECTOR D. 75 - 1400	23	* 4404160851	CJTO. BRAÇO COLECTOR D. 1050 - 1200
16	* 4404160066	CONJ. COLECTOR D. 90 - 1400	23	* 4404160852	CJTO. BRAÇO COLECTOR D.1400
16	* 4404160067	CONJ. COLECTOR D. 110 - 1400	23	* 4404160853	CJTO. BRAÇO COLECTOR D.1600
16	* 4404160068	CONJ. COLECTOR D. 90 - 1600	23	* 4404160854	CJTO. BRAÇO COLECTOR D.1800
16	* 4404160069	CONJ. COLECTOR D. 110 - 1600	23	* 4404160855	CJTO. BRAÇO COLECTOR D.2000
16	* 4404160070	CONJ. COLECTOR D. 125 - 1600	24	* 20070R0150	PÉ FILTRO D 1050 EUROPE
16	* 4404160071	CONJ. COLECTOR D. 90 - 1800	24	* 20068R0150	PÉ FILTRO D 1200 EUROPE
16	* 4404160072	CONJ. COLECTOR D. 110 - 1800	24	* 21511R0150	PÉ D. 1400
16	* 4404160073	CONJ. COLECTOR D. 125 - 1800	24	* 21514R0150	PÉ FILTRO D 1400 EUROPE
16	* 4404160074	CONJ. COLECTOR D. 140 - 1800	24	* 21517R0150	PÉ FILTRO D 1800 EUROPE
16	* 4404160075	CONJ. COLECTOR D. 110 - 2000	24	* 21521R0150	PÉ FILTRO D 2000 EUROPE
16	* 4404160076	CONJ. COLECTOR D. 125 - 2000	25	* 21512R0423	TUBO SUPORTE DIFUSOR D.90 PARA 1400
16	* 4404160077	CONJ. COLECTOR D. 140 - 2000	25	* 21513R0423	TUBO SUPORTE DIFUSOR D.110 PARA 1400
16	* 4404160078	CONJ. COLECTOR D. 160 - 2000	25	* 21500R0423	TUBO SUPORTE DIFUSOR D.90 PARA 1600
17	* 4404160041	CJTO. DIFUSOR D. 63 - 1050	25	* 21515R0423	TUBO SUPORTE DIFUSOR D.110 PARA 1600
17	* 4404160042	CJTO. DIFUSOR D. 75 - 1050	25	* 21502R0423	TUBO SUPORTE DIFUSOR D.125 PARA 1600
17	* 4404160043	CJTO. DIFUSOR D. 90 - 1050	25	* 21503R0423	TUBO SUPORTE DIFUSOR D.90 PARA 1800
17	* 4404160044	CJTO. DIFUSOR D. 75 - 1200	25	* 21504R0423	TUBO SUPORTE DIFUSOR D.110 PARA 1800
17	* 4404160045	CJTO. DIFUSOR D. 90 - 1200	25	* 21519R0423	TUBO SUPORTE DIFUSOR D.125 PARA 1800
17	* 4404160046	CJTO. DIFUSOR D. 75 - 1400	25	* 21506R0423	TUBO SUPORTE DIFUSOR D.140 PARA 1800
17	* 4404160047	CJTO. DIFUSOR D. 90 - 1400	25	* 21507R0423	TUBO SUPORTE DIFUSOR D.110 PARA 2000
17	* 4404160048	CJTO. DIFUSOR D. 110 - 1400	25	* 21508R0423	TUBO SUPORTE DIFUSOR D.125 PARA 2000
17	* 4404160049	CJTO. DIFUSOR D. 90 - 1600	25	* 21523R0423	TUBO SUPORTE DIFUSOR D.140 PARA 2000
17	* 4404160050	CJTO. DIFUSOR D. 110 - 1600	25	* 21510R0423	TUBO SUPORTE DIFUSOR D.160 PARA 2000

**CODIGO**                    **20068, 20069, 20070, 20071, 20072, 21497, 21498, 21499, 21500, 21501, 21502, 21503, 21504, 21505, 21506, 21507, 21508, 21509, 21510**

**DESCRIÇÃO:**                    **FILTRO EUROPA 1 M. 2,5 KG. D. 1050-1200-1400**

**OBSERVAÇÕES**

POSICIÓN	PIEZA	OBSERVACIÓN
11	4404160811	PARA 20070
11	4404160812	PARA 20071
11	4404160813	PARA 20072
11	4404160830	PARA 20068, 21497
11	4404160831	PARA 20069, 21498, 21500
11	4404160814	PARA 21499, 21500
11	4404160815	PARA 21502
11	4404160832	PARA 21503
11	4404160833	PARA 21504, 21507
11	4404160834	PARA 21505, 21508
11	4404160816	PARA 21506, 21509
11	4404160817	PARA 21510
12	4404160818	PARA (21500-2) (21501-2) (21502-2) (21503-4) (21504-2) (21505-2) (21506-2) (21507-2) (21508-2) (21509-2) (21510-2)
12	4404160819	PARA (20070-2) (20071-2) (20072-2) (20068-2) (20069-2) (21500-8) (21501-8) (21502-8) (21503-10) (21504-10) (21505-10) (21506-10)
12	4404160820	PARA (21500-2) (21501-2) (21502-2)
12	4404160821	PARA (21497-2) (21498-2) (21499-2) (21503-2) (21504-2) (21505-2) (21506-2) (21507-12) (21508-12) (21509-12) (21510-12)
12	4404160822	PARA (20070-2) (20071-2) (20072-2) (20068-2) (20069-2) (21497-2) (21498-2) (21499-2) (21500-2) (21501-2) (21502-2) (21507-2) (21508-2) (21509-2) (21510-2)
12	4404160823	PARA (20070-3) (20071-3) (20072-3) (20068-3) (20069-3) (21500-3) (21501-3) (21502-3) (21503-2) (21504-2) (21505-2) (21506-2) (21507-3) (21508-3) (21509-3) (21510-3)
12	4404160824	PARA (21503-2) (21504-2) (21505-2) (21506-2) (21507-2) (21508-2) (21509-2) (21510-2)
12	4404160825	PARA (21497-2) (21498-2) (21499-2) (21503-3) (21504-3) (21505-3) (21506-3)
12	4404160826	PARA (21497-3) (21498-3) (21499-3)
12	4404300915	PARA (20070-4) (20071-4) (20072-4) (20068-4) (20069-4) (21497-6) (21498-6) (21499-6) (21500-6) (21501-6) (21502-6) (21503-6) (21504-6) (21505-6) (21506-6) (21507-6) (21508-6) (21509-6) (21510-6)
15	4404160835	PARA 20070
15	4404160836	PARA 20071
15	4404160837	PARA 20072
15	4404160838	PARA 20068, 21497
15	4404160839	PARA 20069, 21498, 21500
15	4404160840	PARA 21499, 21500
15	4404160841	PARA 21502
15	4404160842	PARA 21503
15	4404160843	PARA 21504, 21507
15	4404160844	PARA 21505, 21508
15	4404160845	PARA 21506, 21509
15	4404160846	PARA 21510
16	4404160060	PARA 20070
16	4404160061	PARA 20071
16	4404160062	PARA 20072
16	4404160063	PARA 2068
16	4404160064	PARA 20069
16	4404160065	PARA 21497
16	4404160066	PARA 21498
16	4404160067	PARA 21499
16	4404160068	PARA 21500
16	4404160069	PARA 21501
16	4404160070	PARA 21502
16	4404160071	PARA 21503
16	4404160072	PARA 21504
16	4404160073	PARA 21505
16	4404160074	PARA 21506
16	4404160075	PARA 21507
16	4404160076	PARA 21508
16	4404160077	PARA 21509
16	4404160078	PARA 21510
17	4404160041	PARA 20070
17	4404160042	PARA 20071
17	4404160043	PARA 20072
17	4404160044	PARA 20068

**CODIGO**                    **20068, 20069, 20070, 20071, 20072, 21497, 21498, 21499, 21500, 21501, 21502, 21503, 21504, 21505, 21506, 21507, 21508, 21509, 21510**

**DESCRIÇÃO:**                    **FILTRO EUROPA 1 M. 2,5 KG. D. 1050-1200-1400**

17	4404160045	PARA 20069
17	4404160046	PARA 21497
17	4404160047	PARA 21498
17	4404160048	PARA 21499
17	4404160049	PARA 21500
17	4404160050	PARA 21501
17	4404160051	PARA 21502
17	4404160052	PARA 21503
17	4404160053	PARA 21504
17	4404160054	PARA 21505
17	4404160055	PARA 21506
17	4404160056	PARA 21507
17	4404160057	PARA 21508
17	4404160058	PARA 21509
17	4404160059	PARA 21510
23	4404160851	PARA 20070, 20071, 20072, 20068, 20069
23	4404160852	PARA 21497, 21498, 21499
23	4404160853	PARA 21500, 21501, 21502
23	4404160854	PARA 21503, 21504, 21505, 21506
23	4404160855	PARA 21507, 21508, 21509, 21510
24	20070R0150	PARA 20070, 20071, 20072
24	20068R0150	PARA 20068, 20069
24	21511R0150	PARA 21497, 21498, 21499
24	21514R0150	PARA 21500, 21501, 21502
24	21517R0150	PARA 21503, 21504, 21505, 21506
24	21521R0150	PARA 21507, 21508, 21509, 21510
25	21512R0423	PARA 21498
25	21513R0423	PARA 21499
25	21500R0423	PARA 21500
25	21515R0423	PARA 21501
25	21502R0423	PARA 21502
25	21503R0423	PARA 21503
25	21504R0423	PARA 21504
25	21519R0423	PARA 21505
25	21506R0423	PARA 21506
25	21507R0423	PARA 21507
25	21508R0423	PARA 21508
25	21523R0423	PARA 21509
25	21510R0423	PARA 21510