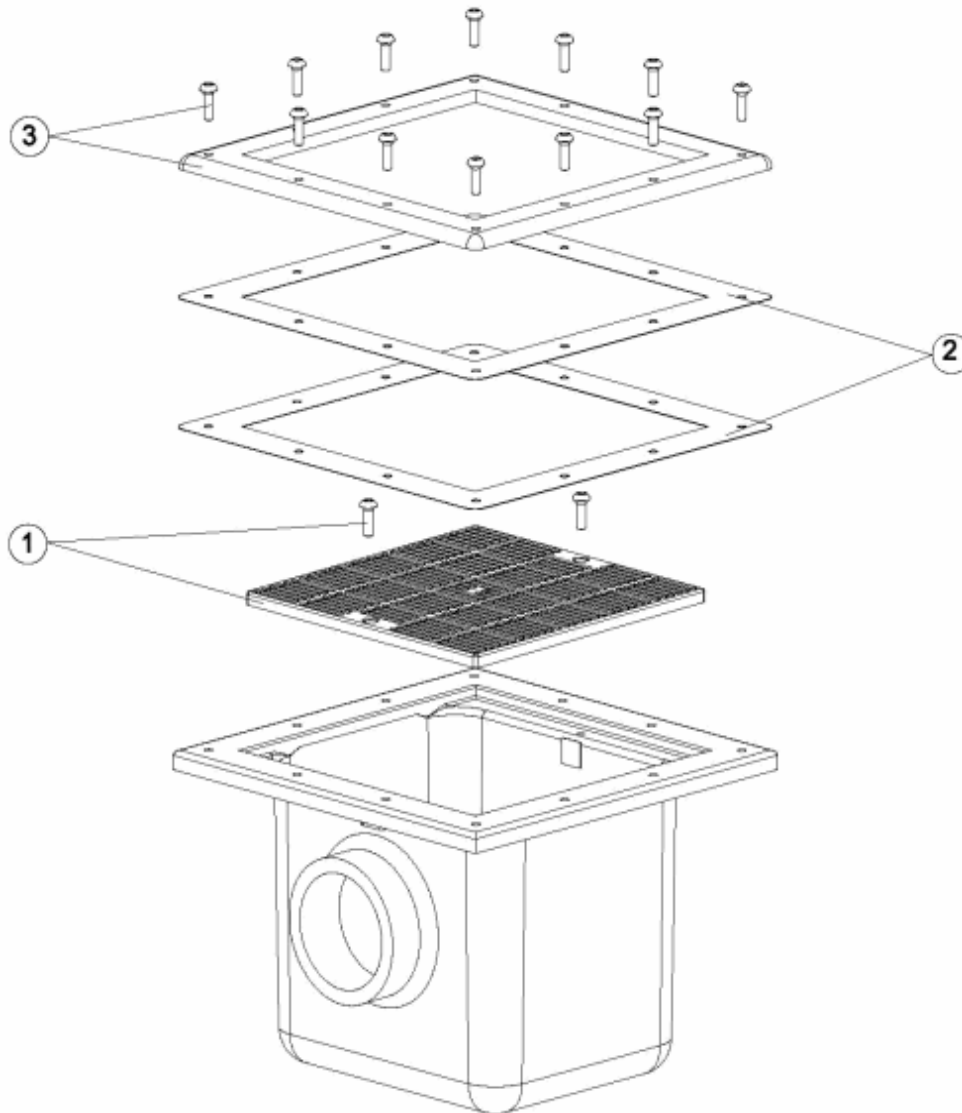


CODIGO 20074, 20075, 20290, 22416, 22417, 22418, 22419

DESCRIPCION: SUMIDERO PISCINA PREFABRICADA REJA PEQUEÑA



**ESPAÑOL**

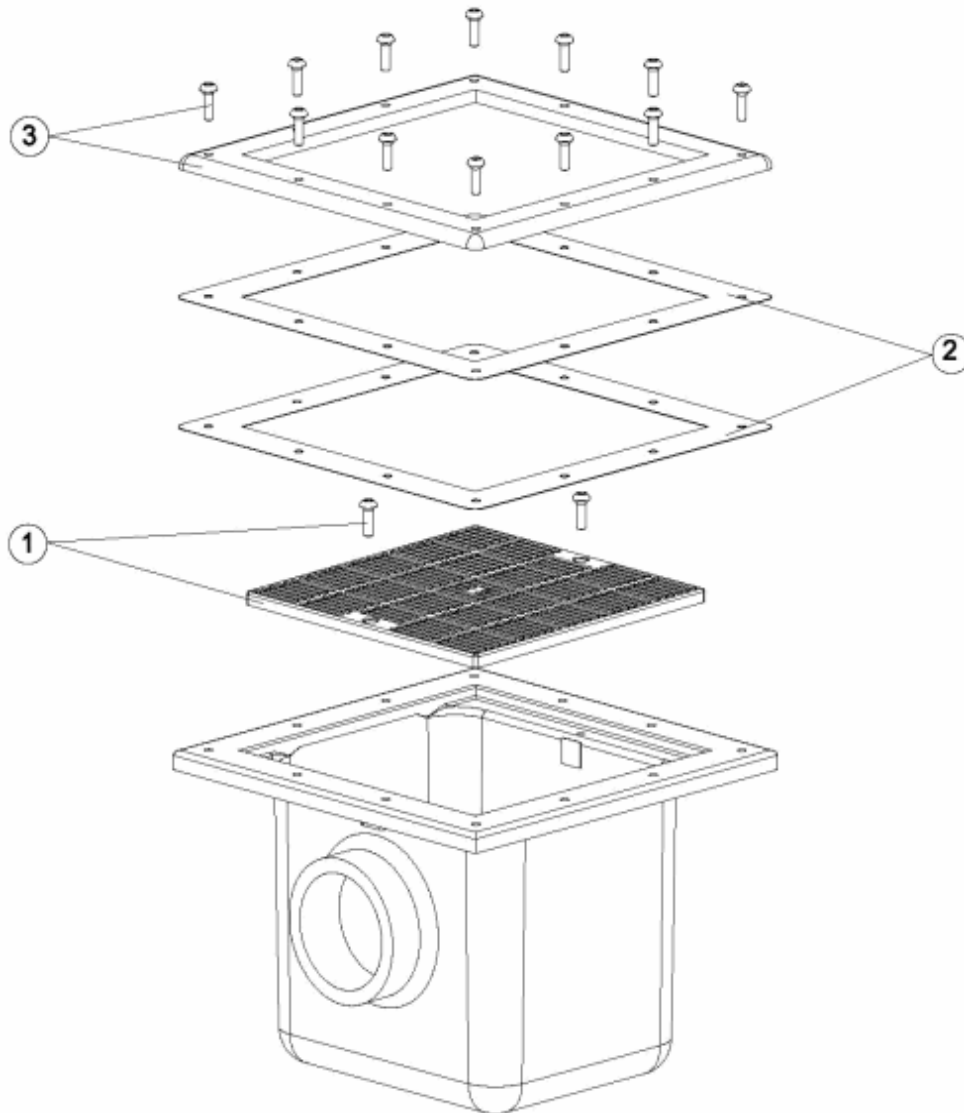
POS	CODIGO	DESCRIPCION	POS	CODIGO	DESCRIPCION
1	* 4402021601	REJILLA INOXIDABLE 252X252	2	4402021702	JUNTA PLANA SUMIDERO 317X317
1	* 4402021801	REJILLA PLASTICO 252X252	3	4402021703	MARCO INOX. SUMIDERO 322X322

CODIGO **20074, 20075, 20290, 22416, 22417, 22418, 22419**DESCRIPCION: **SUMIDERO PISCINA PREFABRICADA REJA PEQUEÑA****OBSERVACIONES**

POS	CODIGO	OBSERVACIONES
1	4402021601	PARA 20074, 20075, 20290
1	4402021801	PARA 22416, 22417, 22418, 22419

CODE 20074, 20075, 20290, 22416, 22417, 22418, 22419

DESCRIPTION: BONDE PISCINE PRÉFABRIQUÉE GRILLE PETITE



**FRANCAIS**

POS	CODE	DESCRIPTION	POS	CODE	DESCRIPTION
1	* 4402021601	GRILLE INOX 252X252	2	4402021702	JOINT PLASTIQUE DE BONDE 317X317
1	* 4402021801	GRILLE PLASTIQUE 252X252	3	4402021703	BRIDE INOX DE BONDE 322X322

CODE **20074, 20075, 20290, 22416, 22417, 22418, 22419**

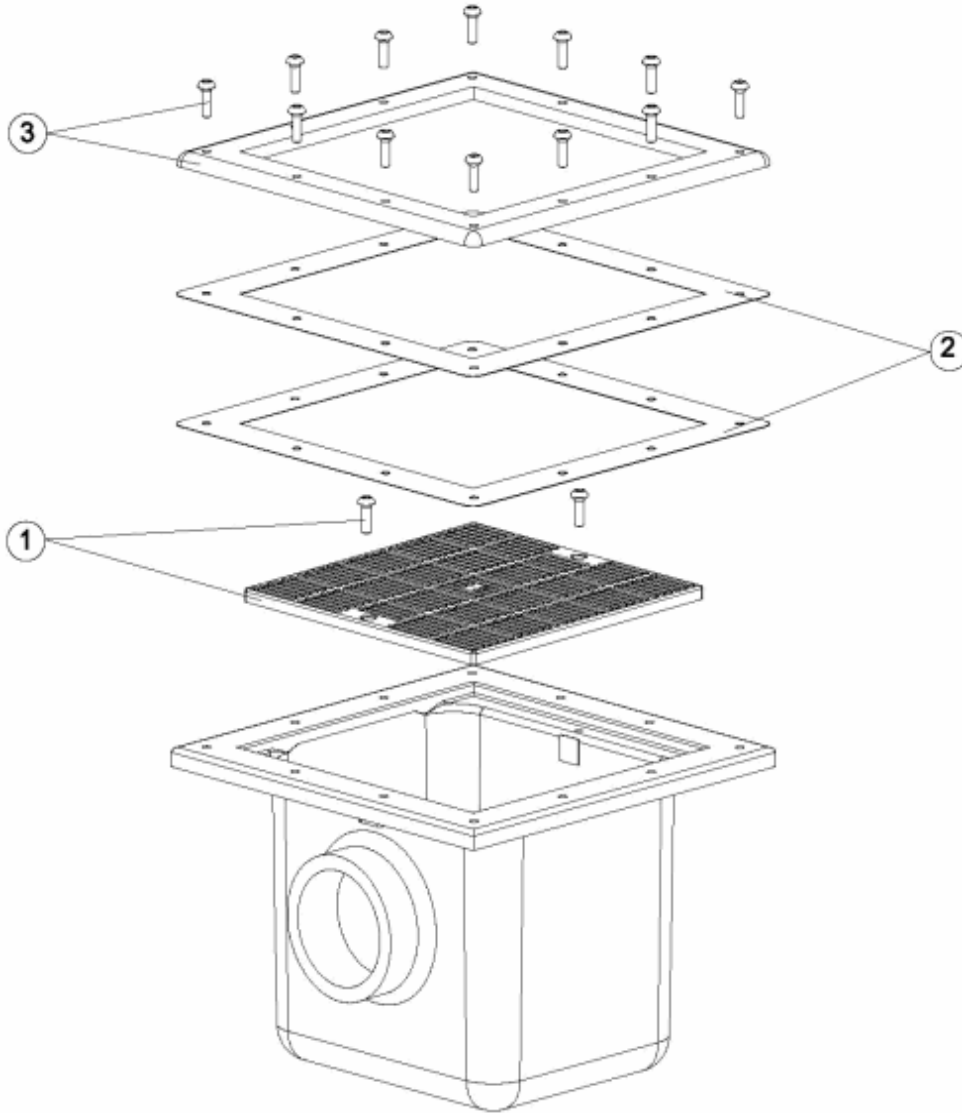
DESCRIPTION: **BONDE PISCINE PRÉFABRIQUÉE GRILLE PETITE**

**OBSERVATIONS**

POS	CODE	OBSERVATIONS
1	4402021601	PARA 20074, 20075, 20290
1	4402021801	PARA 22416, 22417, 22418, 22419

CODE 20074, 20075, 20290, 22416, 22417, 22418, 22419

DESCRIPTION: DRAIN PREFABRICATED POOL SMALL GRILLE



**ENGLISH**

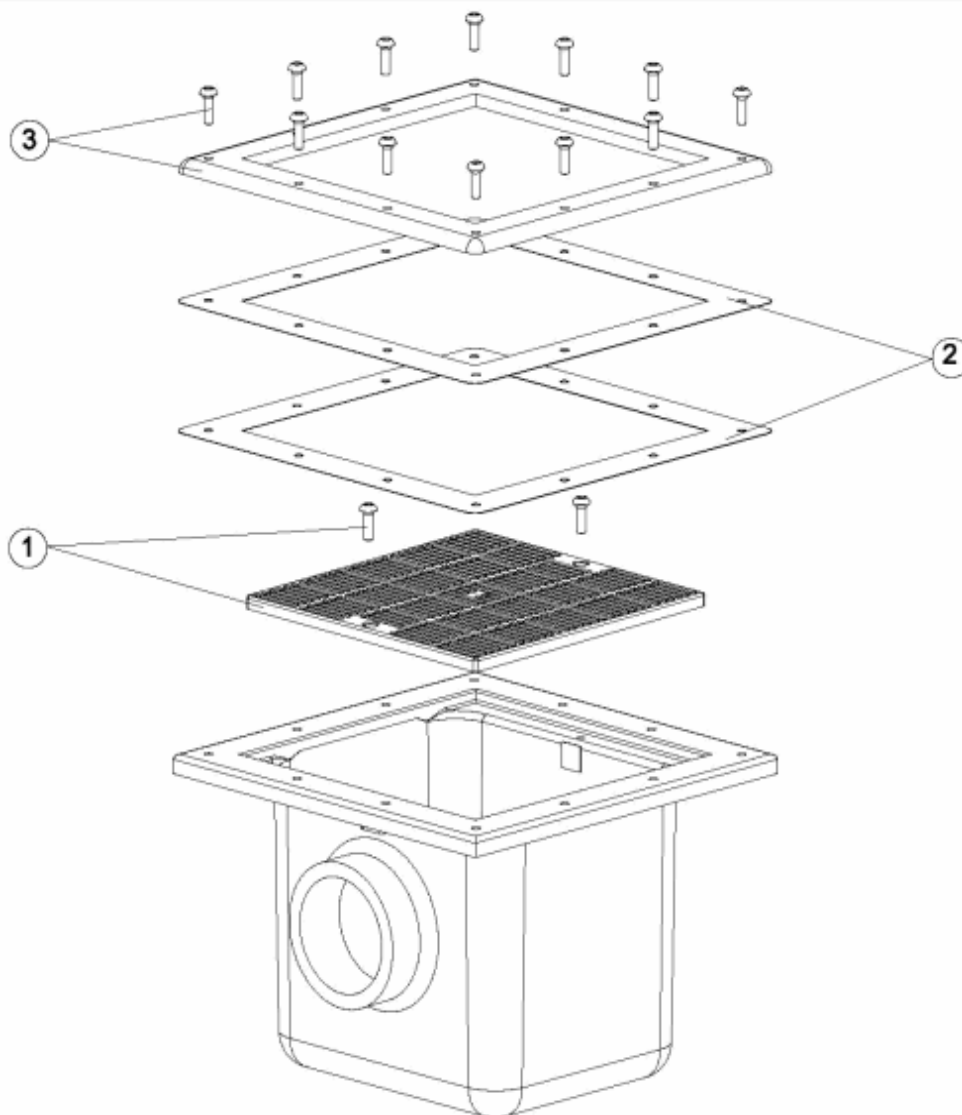
POS	CODE	DESCRIPTION	POS	CODE	DESCRIPTION
1	* 4402021601	S.S. GRILLE 252X252	2	4402021702	DRAIN FLAT GASKET 317X317
1	* 4402021801	PLASTIC GRILLE 252X252	3	4402021703	S.S. DRAIN FRAME 322X322

CODE **20074, 20075, 20290, 22416, 22417, 22418, 22419**DESCRIPTION: **DRAIN PREFABRICATED POOL SMALL GRILLE****OBSERVATIONS**

POS	CODE	OBSERVATIONS
1	4402021601	PARA 20074, 20075, 20290
1	4402021801	PARA 22416, 22417, 22418, 22419

CODICE 20074, 20075, 20290, 22416, 22417, 22418, 22419

DESCRIZIONE: SCOLATOIO PISCINA PREFABBRICATA GRIGLIA PICCOLA



**ITALIANO**

POS	CODICE	DESCRIZIONE	POS	CODICE	DESCRIZIONE
1	* 4402021601	GRIGLIA INOX 252X252	2	4402021702	GIARNIZIONE PIATTA PER SCARICO 317X317
1	* 4402021801	GRIGLIA IN PLASTICA 252X252	3	4402021703	CORNICE INOX PER SCARICO 322X322

**CODICE**                    **20074, 20075, 20290, 22416, 22417, 22418, 22419**

**DESCRIZIONE: SCOLATOIO PISCINA PREFABBRICATA GRIGLIA PICCOLA**

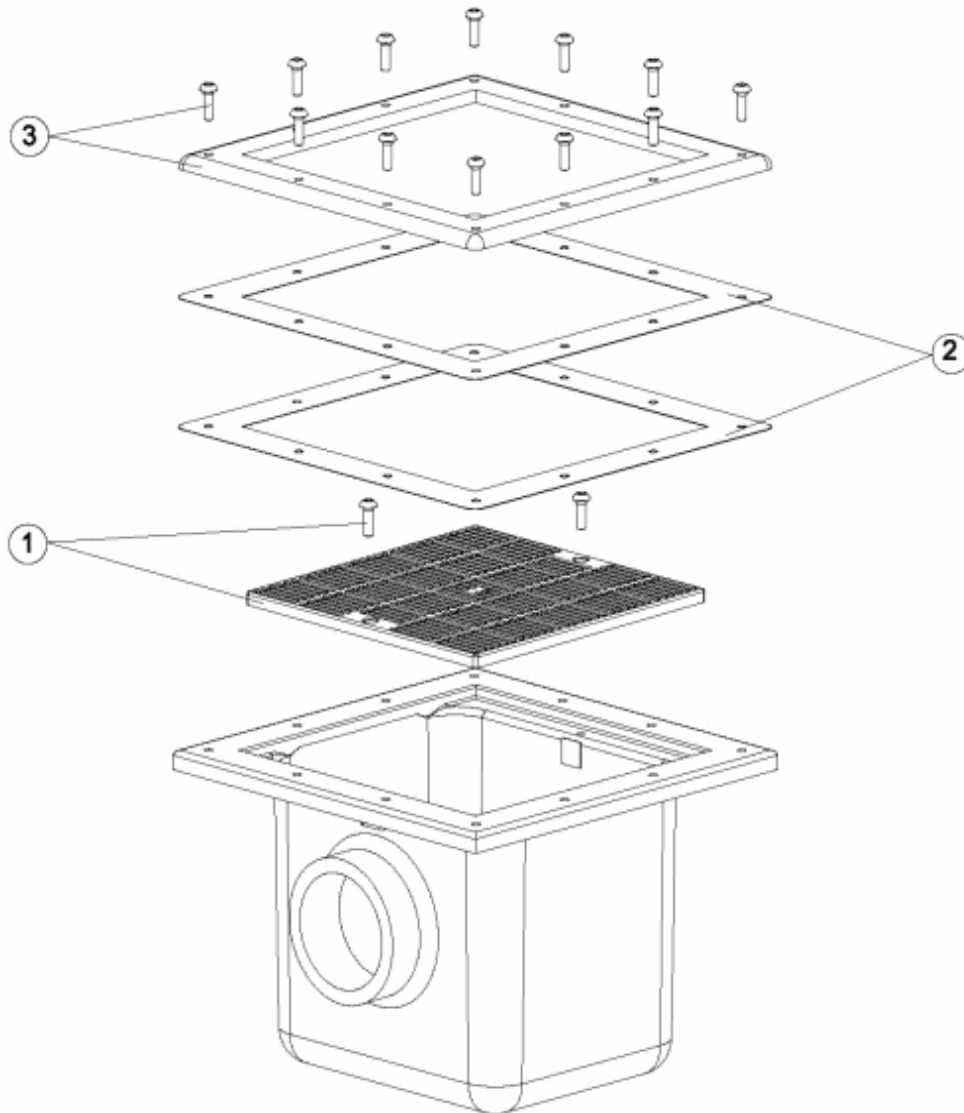
**OSSERVAZIONI**

POS	CODICE	OSSERVAZIONI
1	4402021601	PARA 20074, 20075, 20290
1	4402021801	PARA 22416, 22417, 22418, 22419



CODE 20074, 20075, 20290, 22416, 22417, 22418, 22419

BESCHREIBUNG: ABFLUSS VORGEFERTIGTES SCHWIMMBECKEN KLEINES GITTER



**DEUTSCH**

POS	CODE	BESCHREIBUNG	POS	CODE	BESCHREIBUNG
1	* 4402021601	ABLAUGITTER QUADRATISCH ABLAUFSCHACHT 252	2	4402021702	DICHTUNGSSATZ QUADRATISCH ABLAUFSCHACHT
1	* 4402021801	ABLAUGITTER KUNSTSTOFF ABLAUFSCHACHT 252	3	4402021703	FLANSCHRAHMENSATZ ABLAUFSCHACHT 322X322

CODE **20074, 20075, 20290, 22416, 22417, 22418, 22419**

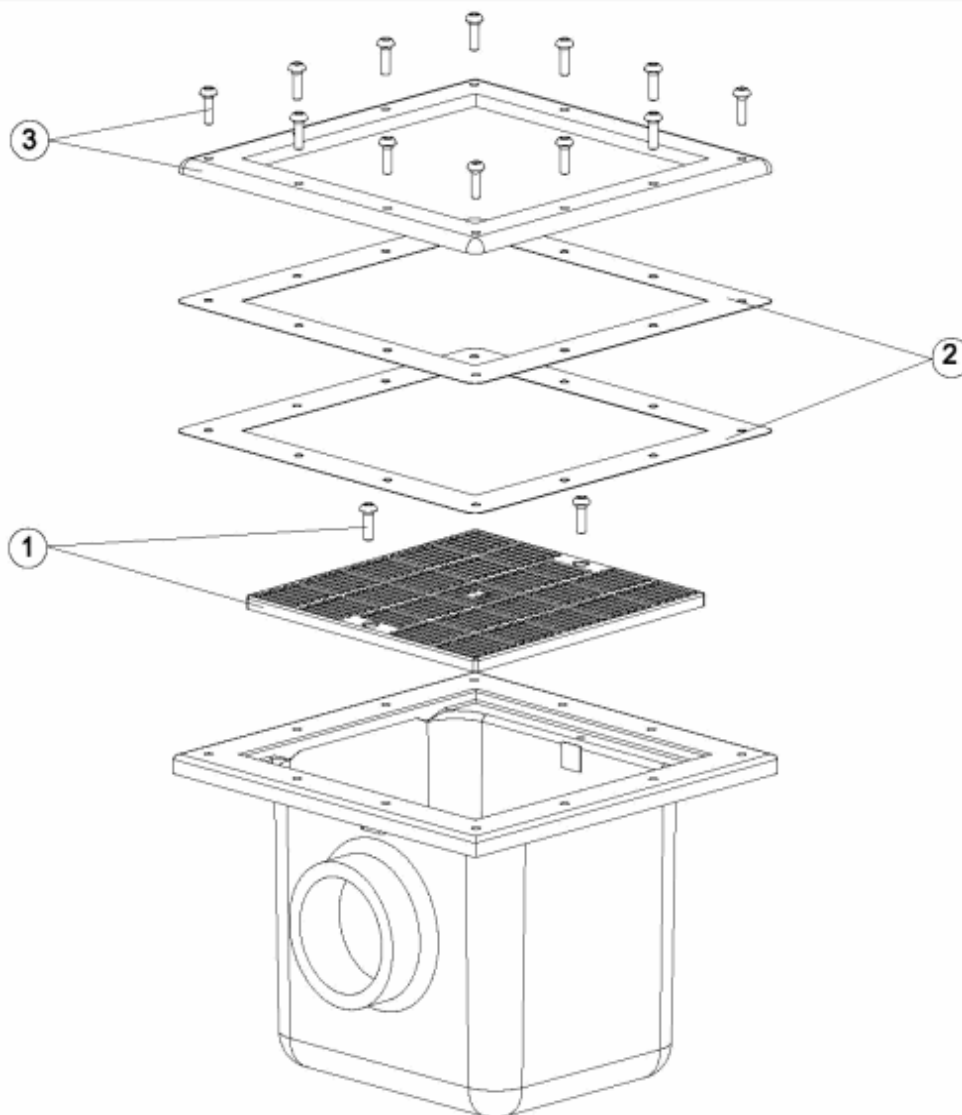
BESCHREIBUNG: **ABFLUSS VORGEFERTIGTES SCHWIMMBECKEN KLEINES GITTER**

**HINWEISE**

POS	CODE	HINWEISE
1	4402021601	PARA 20074, 20075, 20290
1	4402021801	PARA 22416, 22417, 22418, 22419

CODIGO 20074, 20075, 20290, 22416, 22417, 22418, 22419

DESCRIÇÃO: ESGOTO PISCINA PRÉ-FABRICADA GRADE PEQUENA



**PORTUGUES**

POS	CODIGO	DESCRIÇÃO	POS	CODIGO	DESCRIÇÃO
1	* 4402021601	GRELHA INOXIDAVEL 252X252	2	4402021702	JUNTA PLANA RALO FUNDO 317X317
1	* 4402021801	GRELHA PLÁSTICO 252X252	3	4402021703	ARO INOX RALO DE FUNDO 322X322

**CODIGO**                    **20074, 20075, 20290, 22416, 22417, 22418, 22419**

**DESCRIÇÃO: ESGOTO PISCINA PRÉ-FABRICADA GRADE PEQUENA**

**OBSERVAÇÕES**

POS	CODIGO	OBSERVAÇÕES
1	4402021601	PARA 20074, 20075, 20290
1	4402021801	PARA 22416, 22417, 22418, 22419