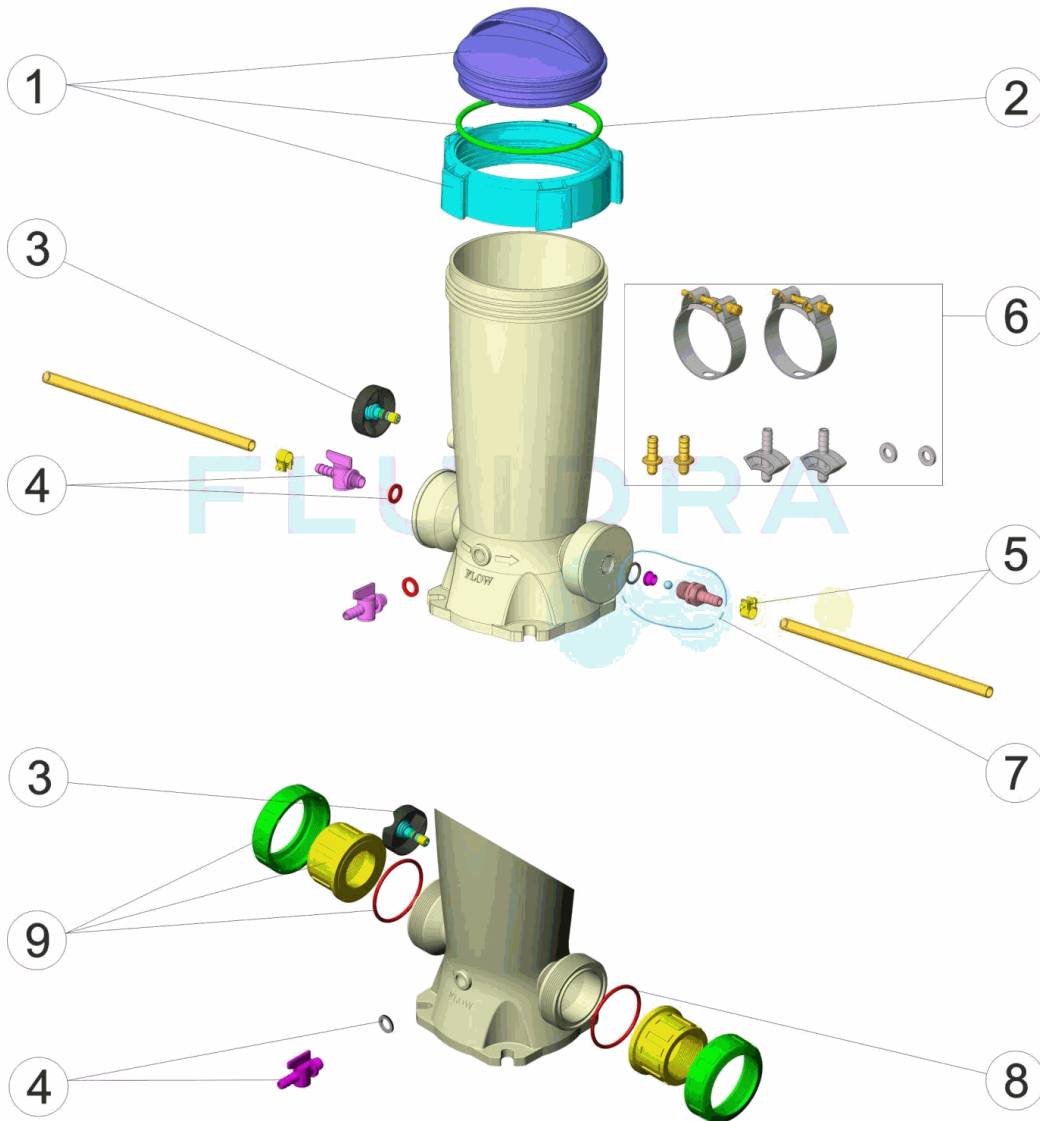


CODIGO **24429, 24430**

DESCRIPCION: **DOSIFICADOR DE CLORO "IN - LINE" "OFF - LINE"**



ESPAÑOL

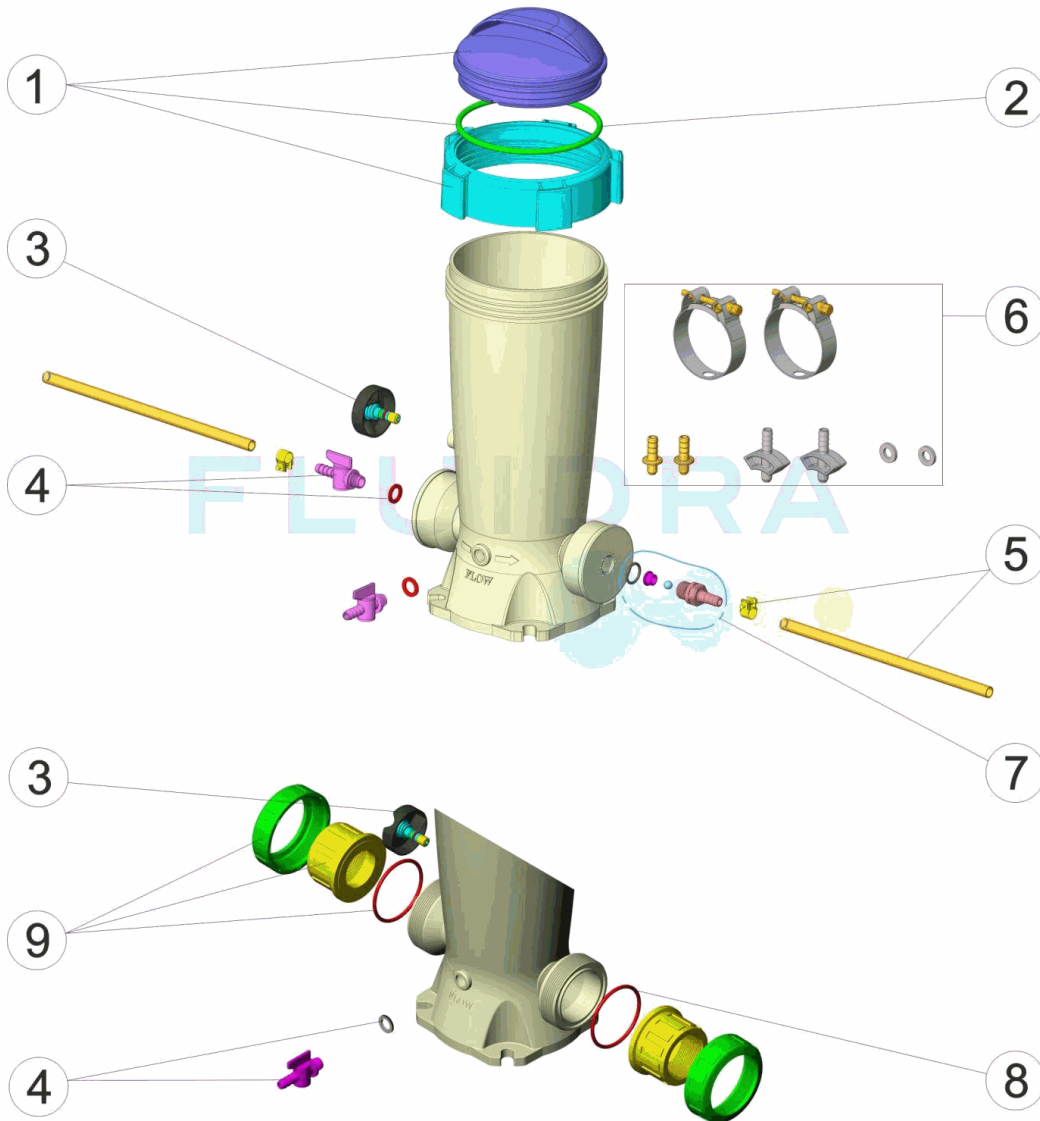
POS	CODIGO	DESCRIPCION	POS	CODIGO	DESCRIPCION
1	4408010701	CJTO. TAPA + JUNTA + TUERCA	6	* 4408010308	RACCORD Y ABRAZADERAS
2	4408010702	JUNTA TORICA	7	* 4408010306	VALVULA VITON CON ADAPTADOR
3	4408010204	VALVULA CONTROL DOSIFICADOR	8	* 4401120102	JUNTA TORICA
4	4408010205	GRIFO DE PURGA Y JUNTA	9	* 4408010206	MANGUITO DOSIFICADOR
5	* 4408010309	TUBO POLITILENO NEGRO			

CODIGO **24429, 24430**DESCRIPCION: **DOSIFICADOR DE CLORO "IN - LINE" "OFF - LINE"****OBSERVACIONES**

POS	CODIGO	OBSERVACIONES
5	4408010309	PARA: 24430
6	4408010308	PARA: 24430
7	4408010306	PARA: 24430
8	4401120102	PARA: 24429
9	4408010206	PARA: 24429

CODE 24429, 24430

DESCRIPTION: DISTRIBUTEUR DE CHLORE "IN - LINE" "OFF - LINE"



FRANCAIS

POS	CODE	DESCRIPTION	POS	CODE	DESCRIPTION
1	4408010701	KIT COUVERCLE + JOINT + ECROU	6	* 4408010308	RACCORD ET COLLIER
2	4408010702	JOINT TORIQUE	7	* 4408010306	VANNE VITON AVEC ADAPTATEUR
3	4408010204	VANNE CONTROL DOSEUR	8	* 4401120102	JOINT TORIQUE
4	4408010205	ROBINET DE PURGE ET JOINT	9	* 4408010206	MANCHON DOSEUR
5	* 4408010309	TUBE NOIR			

CODE **24429, 24430**

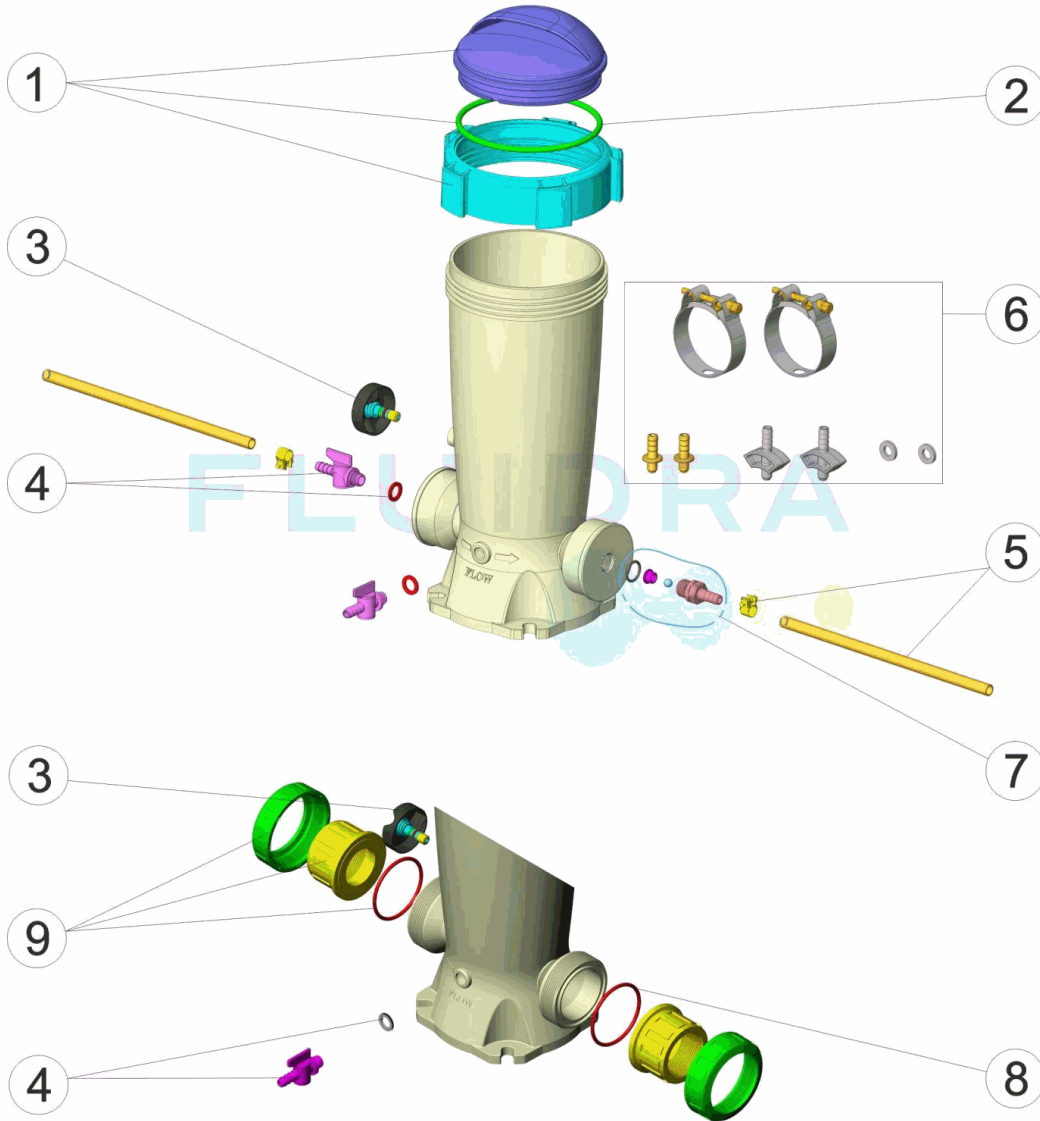
DESCRIPTION: **DISTRIBUTEUR DE CHLORE "IN - LINE" "OFF - LINE"**

OBSERVATIONS

POS	CODE	OBSERVATIONS
5	4408010309	POUR: 24430
6	4408010308	POUR: 24430
7	4408010306	POUR: 24430
8	4401120102	POUR: 24429
9	4408010206	POUR: 24429

CODE **24429, 24430**

DESCRIPTION: **CHLORINE DISPENSER "IN - LINE" "OFF - LINE"**



ENGLISH

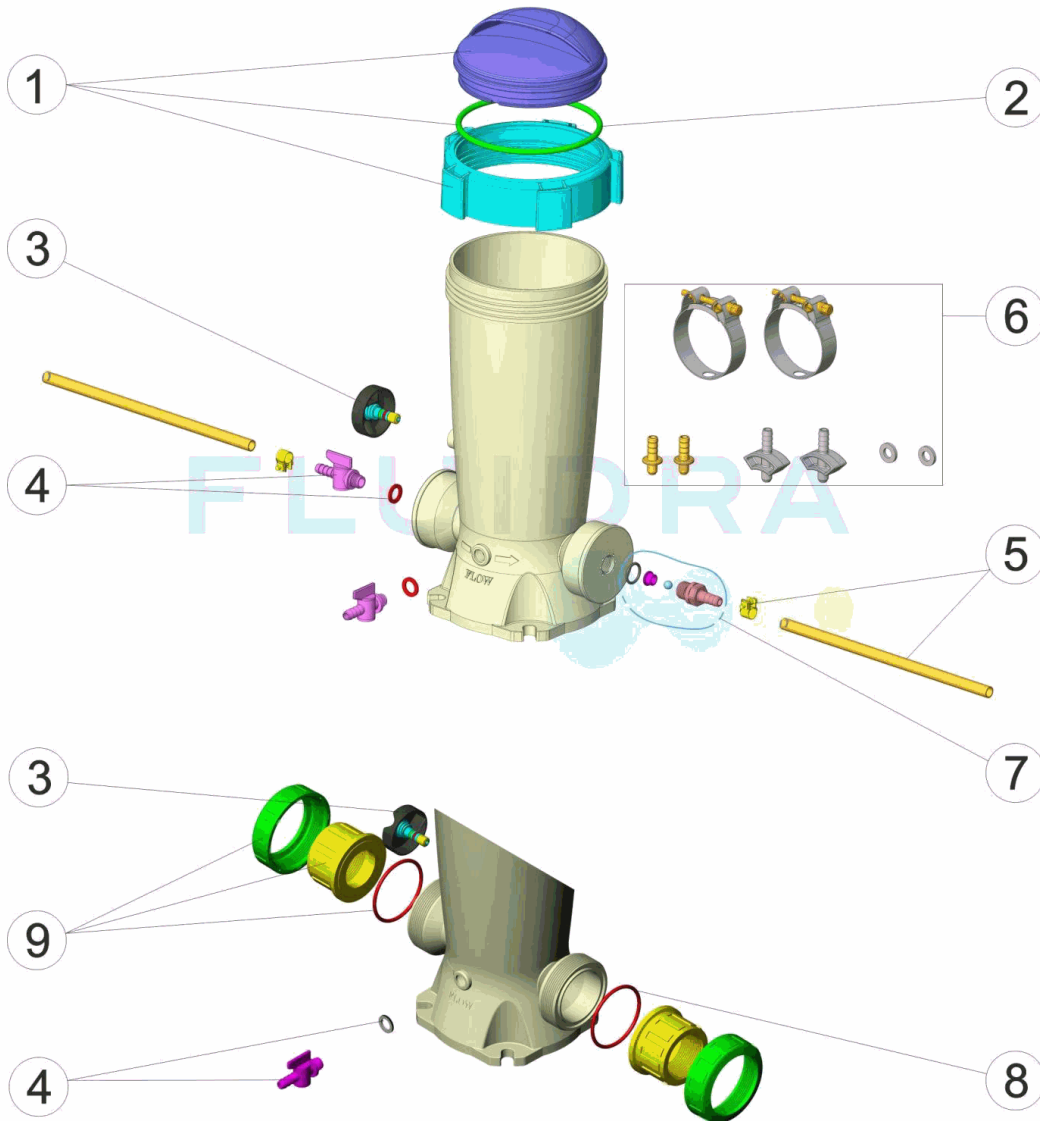
POS	CODE	DESCRIPTION	POS	CODE	DESCRIPTION
1	4408010701	KIT LID + SEAL + NUT	6	* 4408010308	FITTING AND TUBE CLAMPS
2	4408010702	O' RING	7	* 4408010306	VITON VALVE WITH ADAPTOR
3	4408010204	CONTROL VALVE	8	* 4401120102	O' RING
4	4408010205	PURGE VALVE AND SEAL	9	* 4408010206	UNION SET
5	* 4408010309	BLACK FLEXIBLE TUBE			

CODE **24429, 24430**DESCRIPTION: **CHLORINE DISPENSER "IN - LINE" "OFF - LINE"****OBSERVATIONS**

POS	CODE	OBSERVATIONS
5	4408010309	FOR: 24430
6	4408010308	FOR: 24430
7	4408010306	FOR: 24430
8	4401120102	FOR: 24429
9	4408010206	FOR: 24429

CODICE **24429, 24430**

DESCRIZIONE: **DOSIFICATORE DI CLORO "IN - LINE" "OFF - LINE"**



ITALIANO

POS	CODICE	DESCRIZIONE	POS	CODICE	DESCRIZIONE
1	4408010701	KIT COPERCHIO + GUARNIZIONE + GHIERA	6	* 4408010308	RACCORDO E FASCETTE
2	4408010702	O-RING	7	* 4408010306	VALVOLA VITON CON ADATTATORE
3	4408010204	VALVOLA DI CONTROLLO PER DOSATORE	8	* 4401120102	O-RING
4	4408010205	RUBINETTO DI SCARICO E GUARNIZIONE	9	* 4408010206	MANICOTTO DEL DOSATORE
5	* 4408010309	TUBO IN POLIETILENE NERO			

CODICE **24429, 24430**

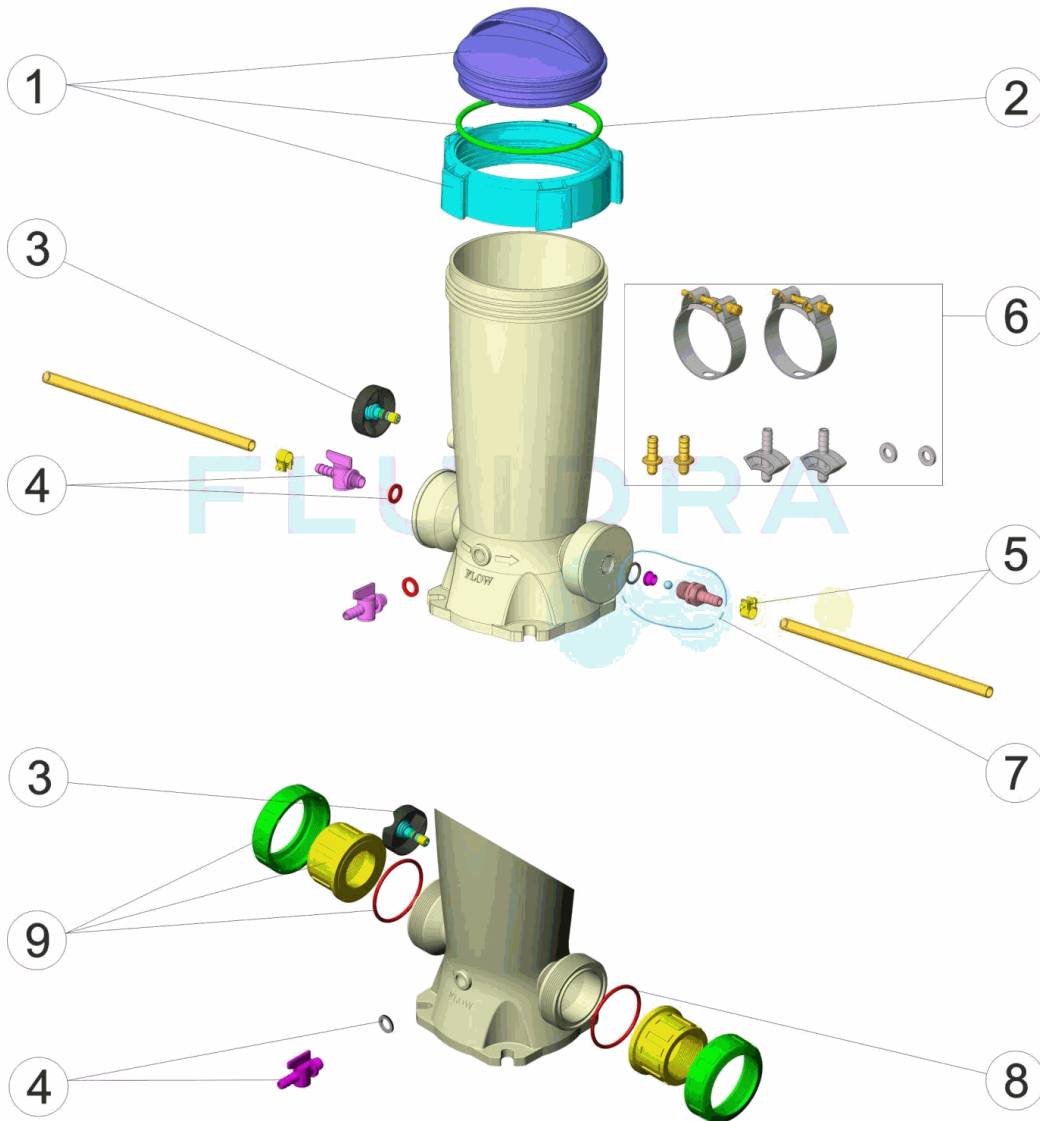
DESCRIZIONE: **DOSIFICATORE DI CLORO "IN - LINE" "OFF - LINE"**

OSSERVAZIONI

POS	CODICE	OSSERVAZIONI
5	4408010309	PER: 24430
6	4408010308	PER: 24430
7	4408010306	PER: 24430
8	4401120102	PER: 24429
9	4408010206	PER: 24429

CODE 24429, 24430

BESCHREIBUNG: DOSIERGERÄT CHLOR "IN - LINE" "OFF - LINE"



DEUTSCH

POS	CODE	BESCHREIBUNG	POS	CODE	BESCHREIBUNG
1	4408010701	KIT DECKEL + DICHTUNG + MUFFE	6	* 4408010308	SCHLAUSCHELLEN FÜR CHLORDOSIERER
2	4408010702	O-RING	7	* 4408010306	IMPFVENTIL VITON CHLORDOSIERER
3	4408010204	REGELVENTIL CHLORDOSIERER	8	* 4401120102	O-RING
4	4408010205	ENTLEERUNGSHAHN 1/4" CHLORDOSIERER	9	* 4408010206	ANSCHLUSSSATZ D50 CHLORDOSIERER
5	* 4408010309	P/N-SCHLAUCH SCHWARZ CHLORDOSIERER			

CODE **24429, 24430**

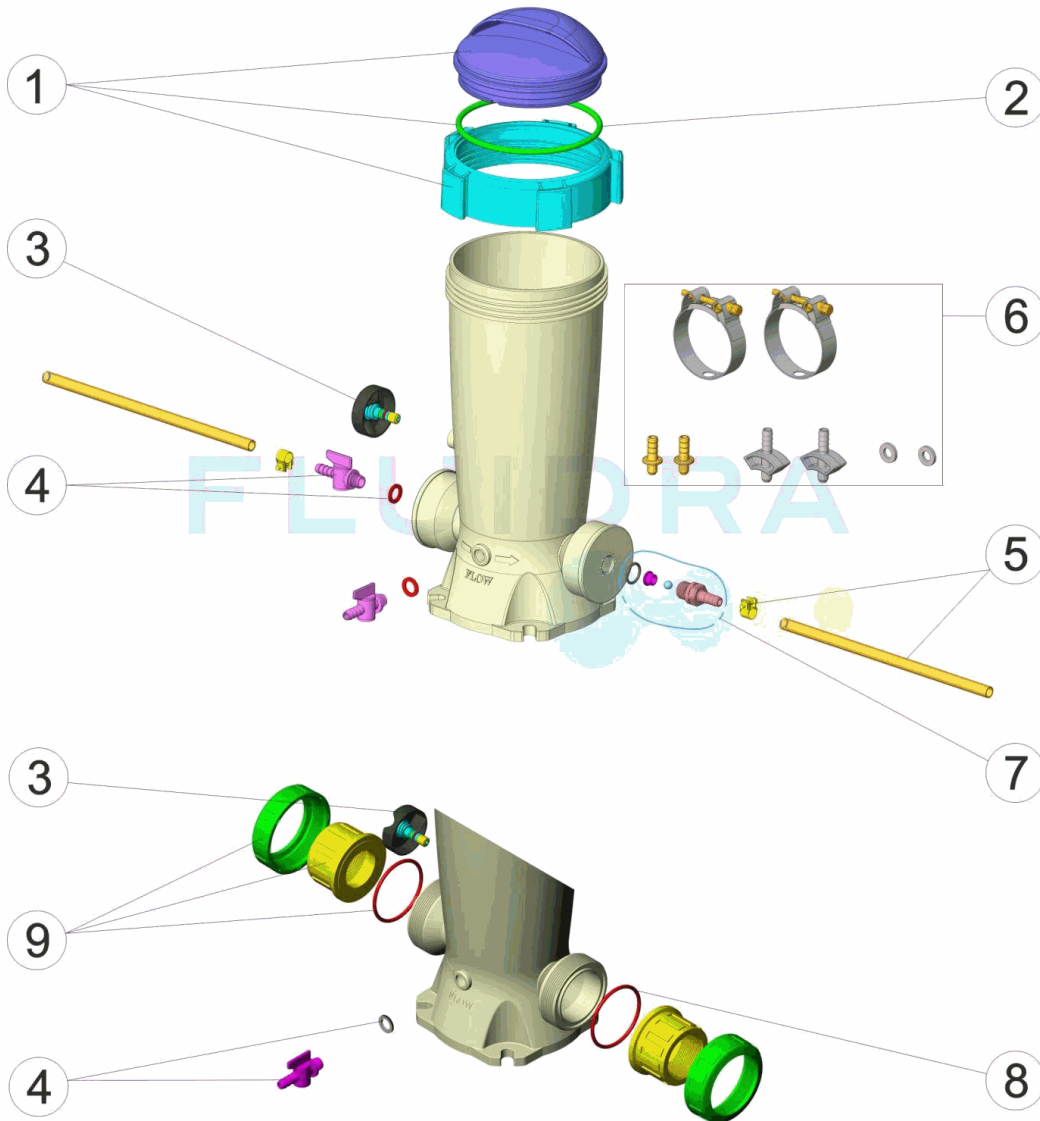
BESCHREIBUNG: **DOSIERGERÄT CHLOR "IN - LINE" "OFF - LINE"**

HINWEISE

POS	CODE	HINWEISE
5	4408010309	FÜR: 24430
6	4408010308	FÜR: 24430
7	4408010306	FÜR: 24430
8	4401120102	FÜR: 24429
9	4408010206	FÜR: 24429

CODIGO **24429, 24430**

DESCRIÇÃO: **DOSEADOR DE CLORO "IN - LINE" "OFF - LINE"**



PORTUGUES

POS	CODIGO	DESCRIÇÃO	POS	CODIGO	DESCRIÇÃO
1	4408010701	CJTO. TAMPA + JUNTA + PORCA	6	* 4408010308	RACORD E ABRAÇADEIRA
2	4408010702	JUNTA TÓRICA	7	* 4408010306	VÁLVULA VITON COM ADAPTADOR
3	4408010204	VÁLVULA CONTROL DOSEADOR	8	* 4401120102	JUNTA TÓRICA
4	4408010205	TORNEIRA DE PURGA E JUNTA	9	* 4408010206	COLARINHO DOSEADOR
5	* 4408010309	TUBO POLITILENO NEGRO			

CODIGO **24429, 24430**

DESCRIÇÃO: **DOSEADOR DE CLORO "IN - LINE" "OFF - LINE"**

OBSERVAÇÕES

POS	CODIGO	OBSERVAÇÕES
5	4408010309	PARA: 24430
6	4408010308	PARA: 24430
7	4408010306	PARA: 24430
8	4401120102	PARA: 24429
9	4408010206	PARA: 24429