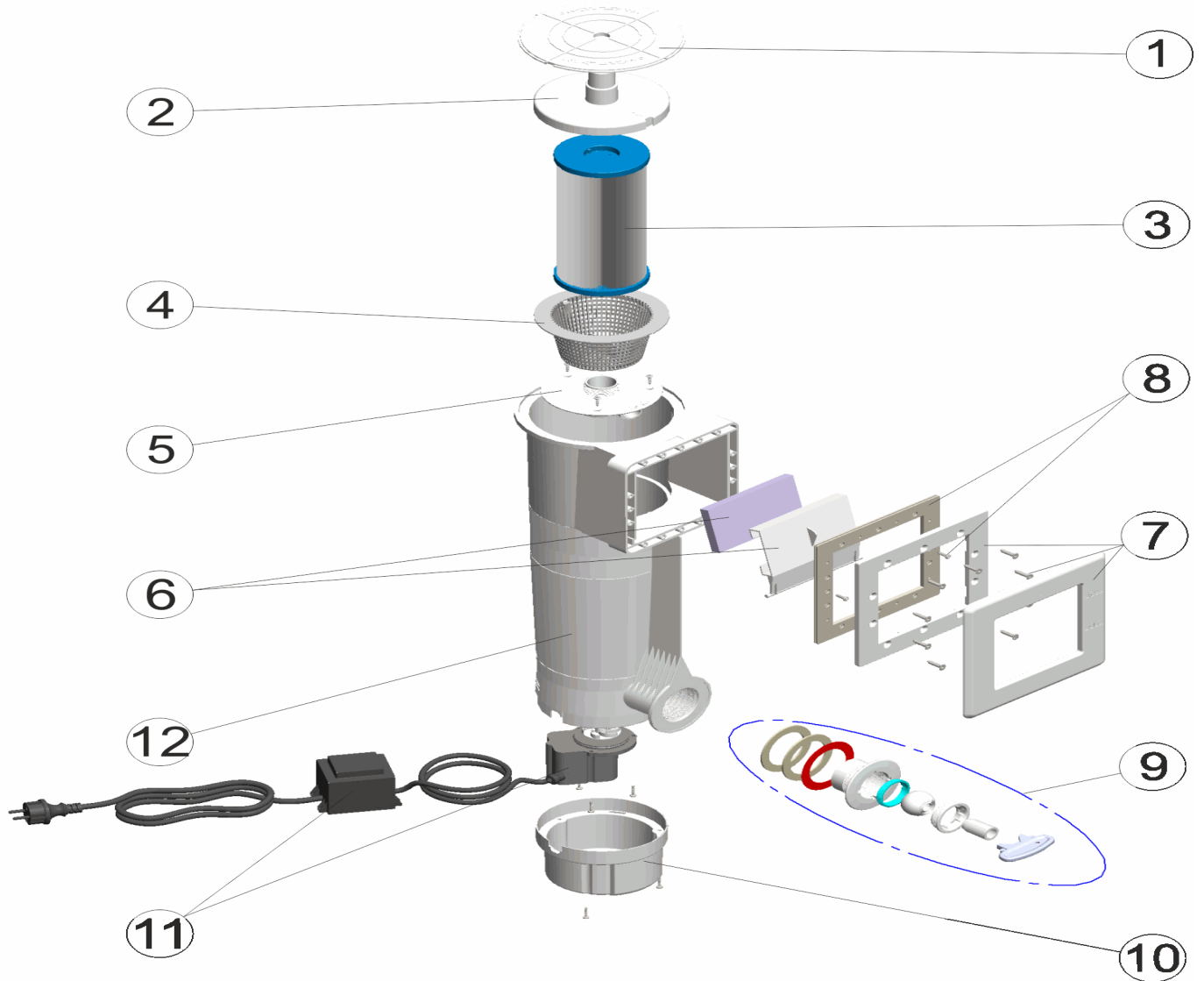


CODE **30889**

BESCHREIBUNG: **RUCKSACKSKIMMER 4000 L/H**

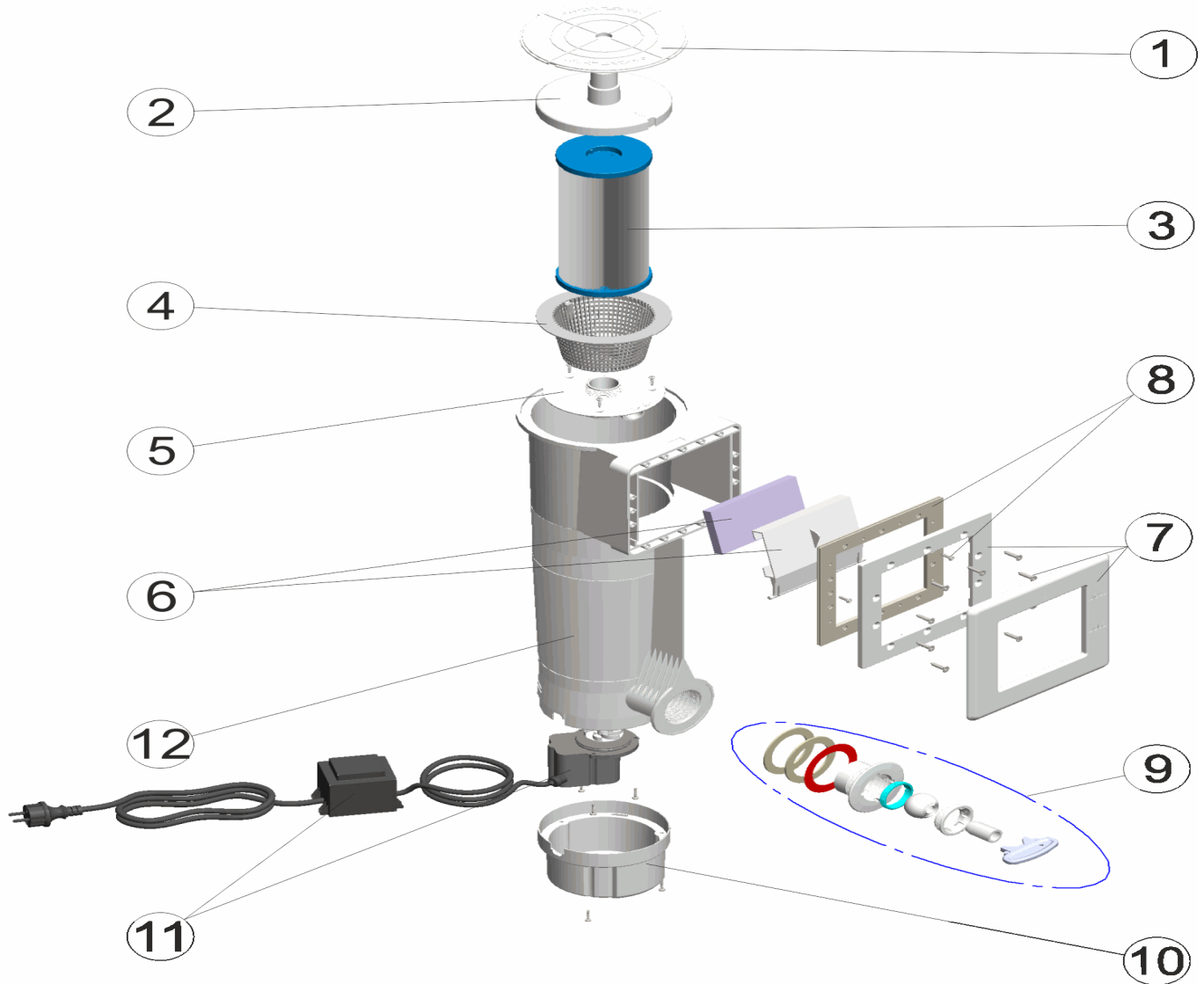


DEUTSCHE

POS	CODE	BESCHREIBUNG	POS	CODE	BESCHREIBUNG
1	4411030604	SKIMMERDECKEL	7	4411030607	DECKEL UND RAHMEN SKIMMER
2	4411030603	SAUGDECKEL SKIMMER	8	4411030305	SKIMMERDICHTUNG
3	4411030806	FILTERKARTUSCHE D.112X245X1 1/4" BSP (30899)	9	4411030202	EINLAUFDUSE
4	4411030602	SKIMMERKORB FÜR SKIMMER AUFSTELLBECKEN	10	4411030203	ABDECKUNG MOTOR
5	4411030201	SKIMMERDECKEL FÜR SKIMMER AUFSTELLBECKEN	11	4411030810	SET MOTOR 4000 L/H (30899)
6	4411030601	KLAPPE SCHWIMMER SKIMMER	12	30889R0001	SKIMMERKÖRPER

CODE **30889**

DESCRIPTION: **RUCKSACK SKIMMER 4000 L/H**

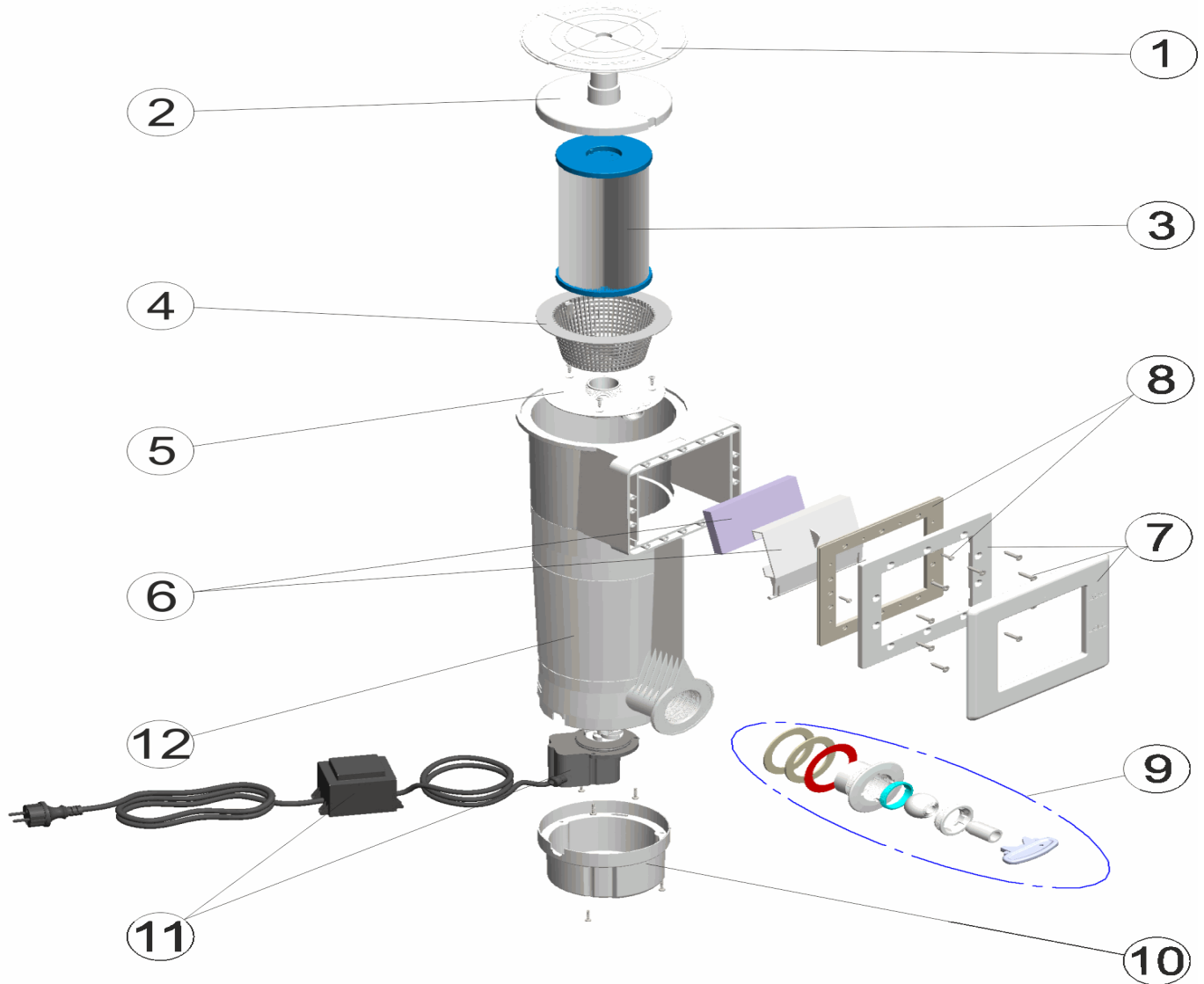


ENGLISH

POS	CODE	DESCRIPTION	POS	CODE	DESCRIPTION
1	4411030604	SKIMMER LID	7	4411030607	SKIMMER LID AND FRAME
2	4411030603	SKIMMER BASKET FOR ABOVE GROUND	8	4411030305	SKIMMER GASKET
3	4411030806	D. 112X245X1 1/4" BSP FILTER CARTRIDGE (30899)	9	4411030202	RETURN INLET
4	4411030602	SKIMMER BASKET FOR ABOVE GROUND POOL	10	4411030203	MOTOR COVER
5	4411030201	SKIMMER LID FOR ABOVE GROUND POOL	11	4411030810	4000 L/H MOTOR UNIT (30899)
6	4411030601	SKIMMER FLOATING FLAP	12	30889R0001	SKIMMER BODY

CODIGO **30889**

DESCRIPCION: **SKIMMER MOCHILLA 4000 L/H.**

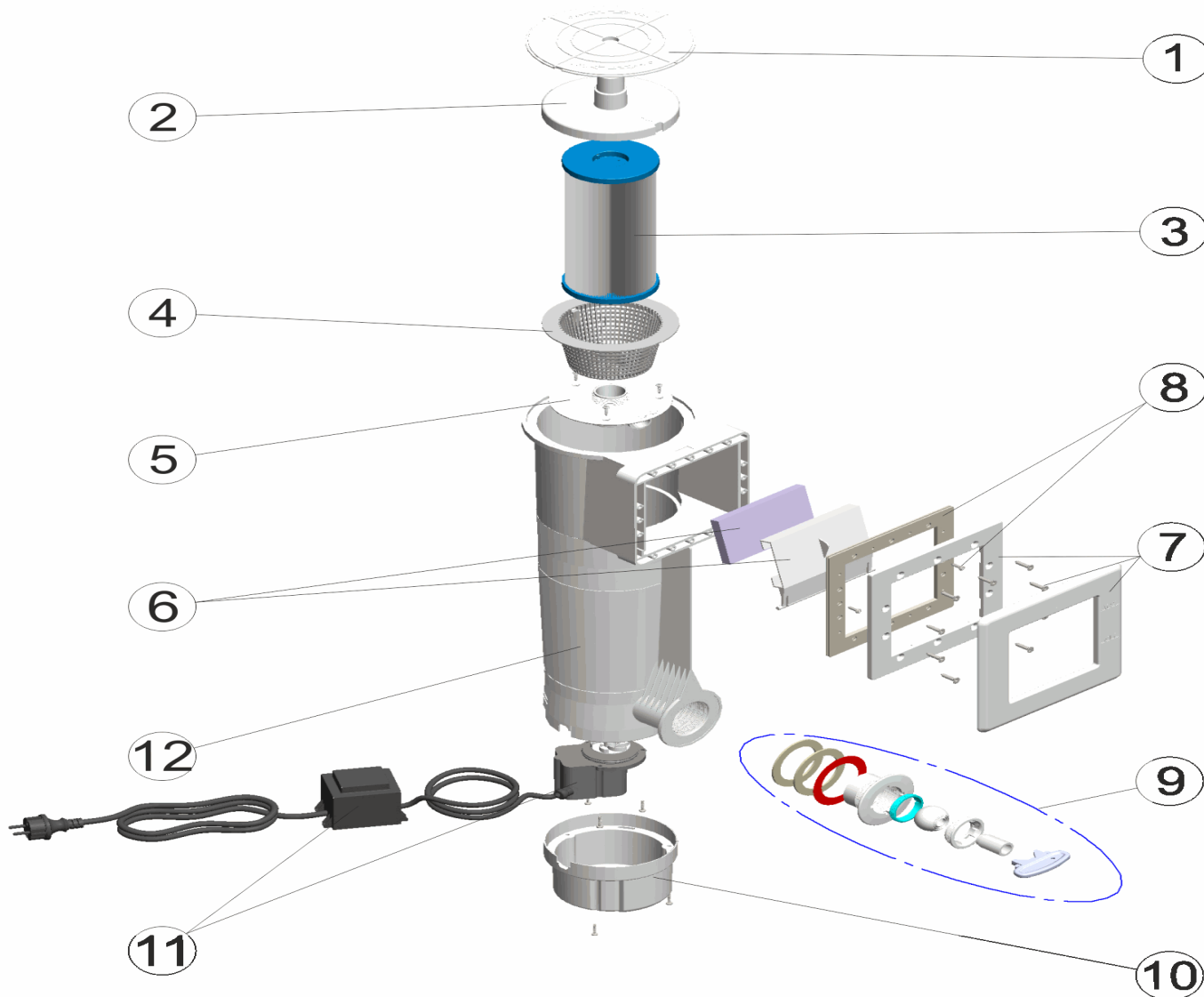


ESPAÑOL

POS	CODIGO	DESCRIPCION	POS	CODIGO	DESCRIPCION
1	4411030604	TAPA SKIMMER	7	4411030607	TAPA Y MARCO SKIMMER
2	4411030603	TAPA ASPIRACION SKIMMER	8	4411030305	JUNTA SKIMMER
3	4411030806	CARTUXO FILTRO D. 112X245X1 1/4" BSP (30889)	9	4411030202	CJTO. BOQUILLA SKIMMER MOCHILA
4	4411030602	CESTO SKIMMER PISCINA ELEVADA	10	4411030203	TAPA MOTOR SKIMFILTER MOCHILLA
5	4411030201	TAPA SKIMMER PISCINA ELEVADA	11	4411030810	CONJUNTO MOTOR 4000 L/H (30899)
6	4411030601	COMPUERTA FLOTADOR SKIMMER	12	30889R0001	CUERPO SKIMMER MOCHILLA

CODE **30889**

DESCRIPTION: **SKIMMER PORTATIF 4000 L/H.**

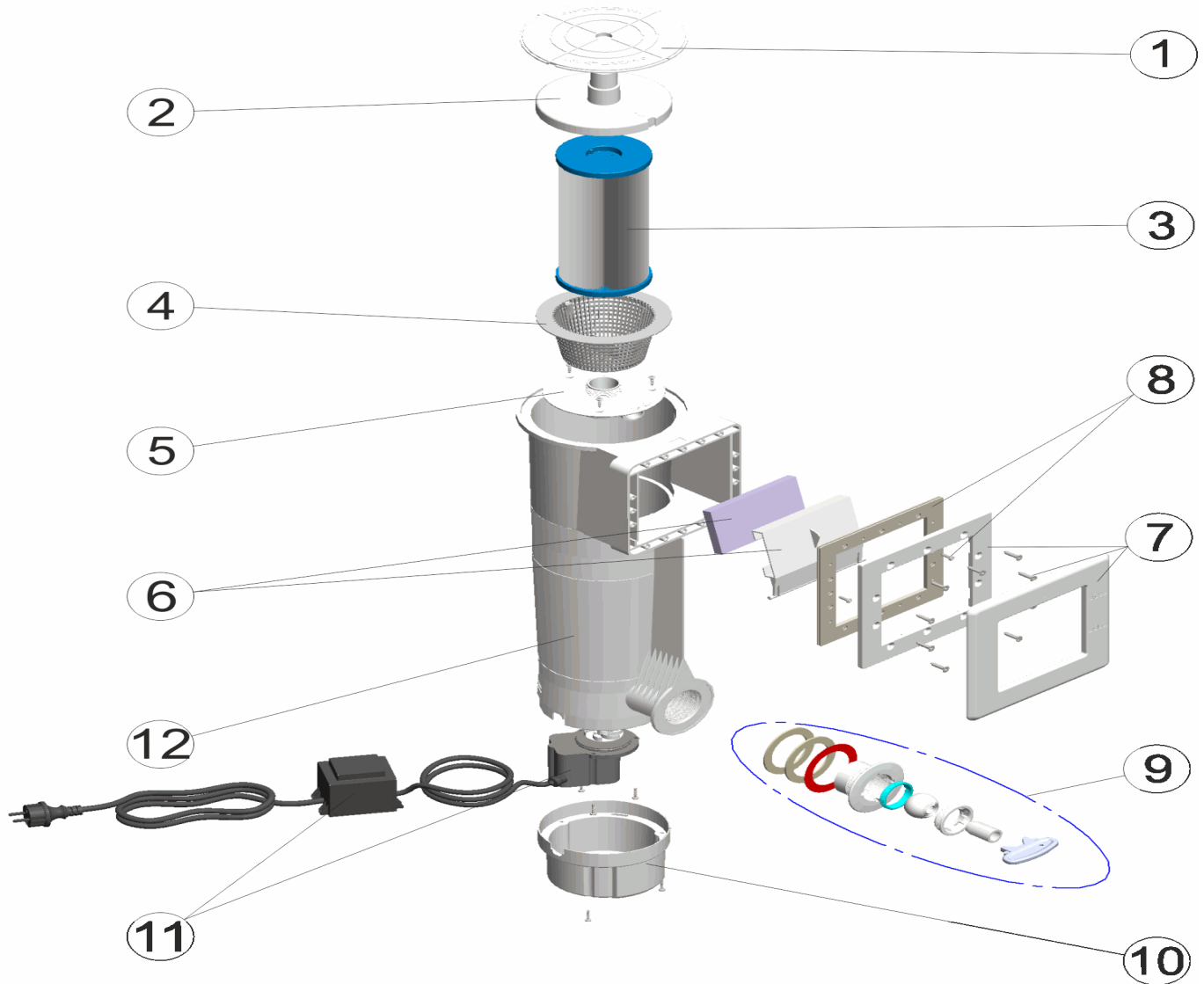


FRANCAIS

POS	CODE	DESCRIPTION	POS	CODE	DESCRIPTION
1	4411030604	COUVERCLE ROND DE SKIMMER	7	4411030607	COUVERCLE ET FAÇADE SKIMMER
2	4411030603	COUVERCLE ASPIRATION SKIMMER	8	4411030305	JOINT SKIMMER
3	4411030806	CARTOUCHE FILTRE D. 112X245X1 1/4" BSP (30899)	9	4411030202	BOUCHE DE REFOULEMENT
4	4411030602	PANIER SKIMMER PISCINE HORS SOL	10	4411030203	COUVERCLE MOTEUR
5	4411030201	COUVERCLE SKIMMER PISCINE HORS SOL	11	4411030810	ENSEMBLE MOTEUR 4000 L/H (30899)
6	4411030601	VOLET FLOTTEUR SKIMMER	12	30889R0001	CORPS DU SKIMMER

CODICE **30889**

DESCRIZIONE: **SKIMMER PORTATILE 4000 L/H**

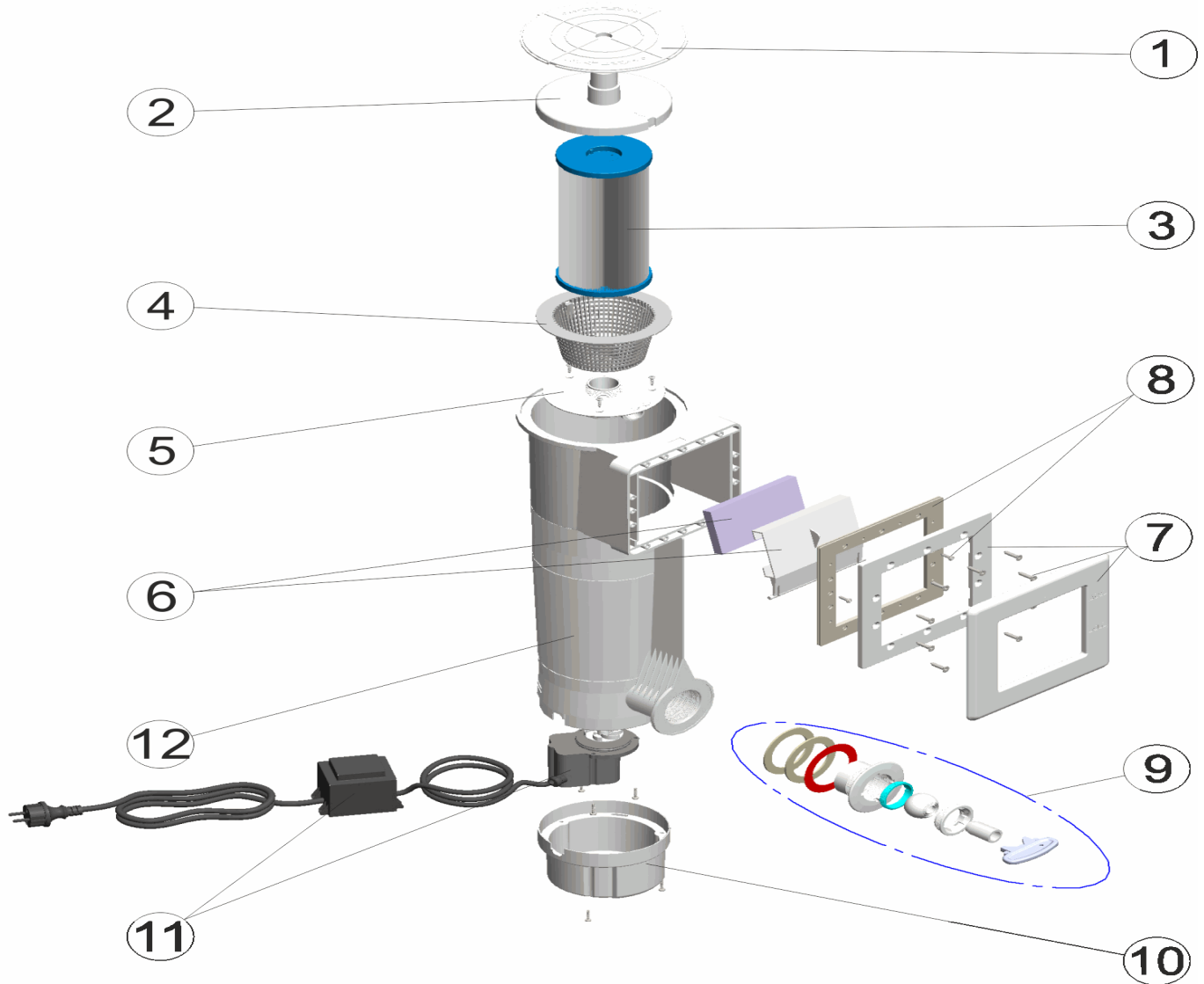


ITALIANO

POS	CODICE	DESCRIZIONE	POS	CODICE	DESCRIZIONE
1	4411030604	COPERCHIO SKIMMER	7	4411030607	COPERCHIO E CORNICE SKIMMER
2	4411030603	COPERCHIO ASPIRAZIONE SKIMMER	8	4411030305	GUARNIZIONE SKIMMER
3	4411030806	CARTUCCIA FILTRO D. 112X245X1 1/4" BSP (30899)	9	4411030202	BOCHETTA DI IMPULSIONE
4	4411030602	CESTELLO SKIMMER PISCINA FUORI TERRA	10	4411030203	COPERCHIO MOTORE
5	4411030201	COUVERCLE SKIMMER PISCINE HORS SOL	11	4411030810	COMPLESSO MOTORE 4000 L/H (30899)
6	4411030601	SERRANDA GALLEGGIANTE SKIMMER	12	30889R0001	CORPO SKIMMER

CODIGO **30889**

DESCRIÇÃO: **SKIMMER MOCHILA 4000 L/H.**



PORTUGUES

POS	CODIGO	DESCRIÇÃO	POS	CODIGO	DESCRIÇÃO
1	4411030604	TAMPA SKIMMER	7	4411030607	TAMPA E MARCO SKIMMER
2	4411030603	TAMPA ASPIRAÇÃO SKIMMER	8	4411030305	JUNTA SKIMMER
3	4411030806	CARTUCHO FILTRO D. 112X245X1 1/4" BSP (30899)	9	4411030202	BOCA DE IMPULSAO
4	4411030602	CESTO SKIMMER PISCINA ELEVADA	10	4411030203	TAMPA MOTOR
5	4411030201	TAMPA SKIMMER PISCINA ELEVADA	11	4411030810	CONJUNTO MOTOR 4000 L/H (30899)
6	4411030601	COMPORTA FLUTUADOR SKIMMER	12	30889R0001	CUERPO SKIMMER