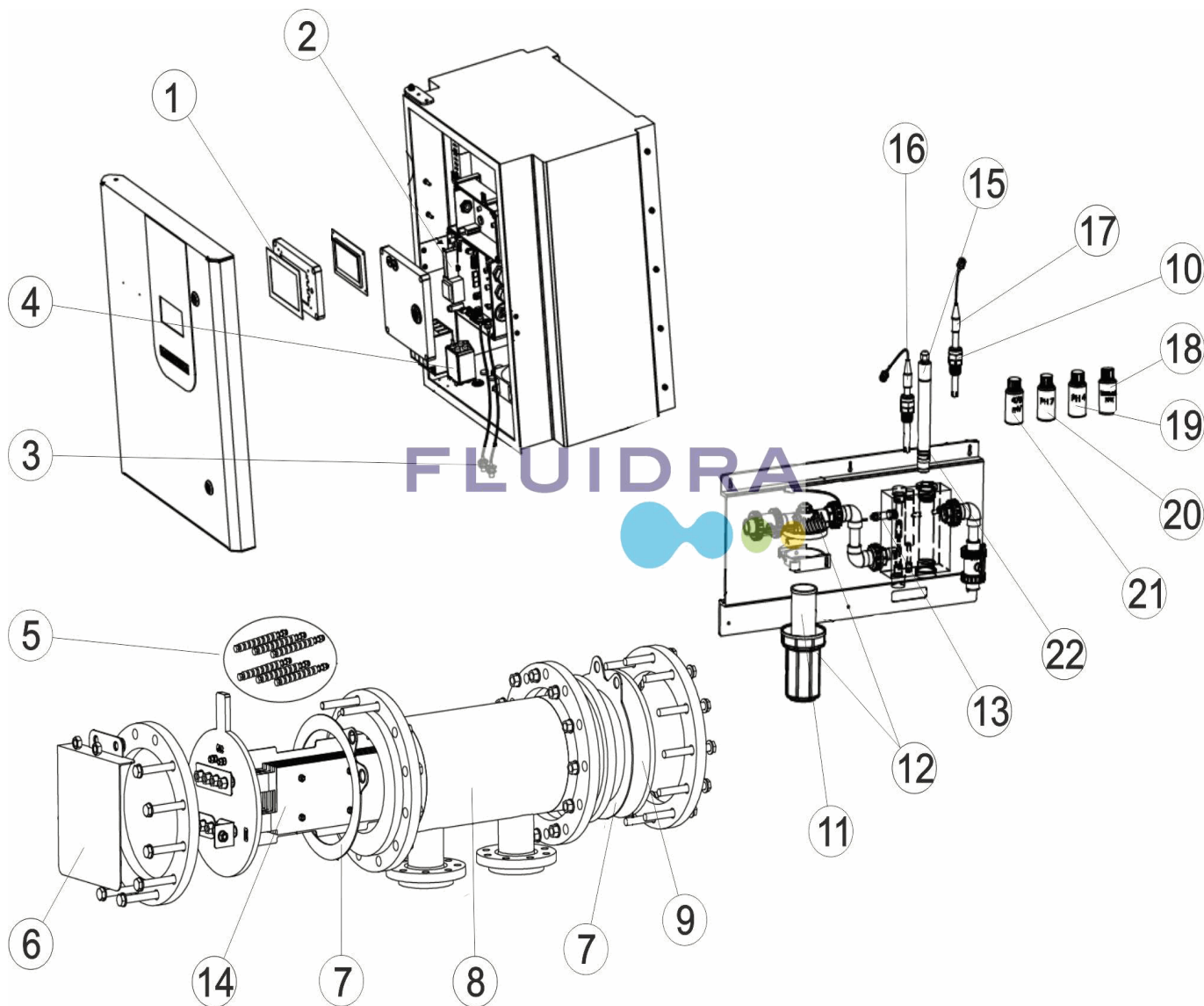


**CODIGO 35253, 35254, 35255, 35256, 35259, 35260, 35261, 35262, 45837, 45838, 45839, 45840**

**DESCRIPCION: ELECTROLISIS DE SAL Y CONTROL PH D-65-D-300 EX-PLUS**

**POSTERIOR A 04/2013**



**ESPAÑOL**

POS	CODIGO	DESCRIPCION	POS	CODIGO	DESCRIPCION
1	* 4408040148	TARGETA VISUALIZADORA TACTIL DV1 EX	5	* 4408041410	CJTO. TORNILLOS ANCLAJE ELECTRODOS
1	* 4408040149	TARGETA VISUALIZADORA TACTIL DV1 EX2	5	* 4408041534	CJTO. TORNILLOS ANCLAJE ELECTRODOS D-100/300
2	* 4408040138	PLACA CONTROL D80 V1	6	* 4408040077	PROTECTOR CONTACTOS D-80 EX
2	* 4408040139	PLACA CONTROL D120 V1	6	* 4408040078	PROTECTOR CONTACTOS D-120/180
2	* 4408040140	PLACA CONTROL D180 V1	6	* 4408040079	PROTECTOR CONTACTOS D-300/600
2	* 4408040141	PLACA CONTROL D300 V1	7	* 4408041517	JUNTA BRIDA CELULA D-65/80EX/+
2	* 4408040143	PLACA CONTROL D80+ V1	7	* 4408041518	JUNTA BRIDA CELULA D-100/150EX/+
2	* 4408040144	PLACA CONTROL D120+ V1	7	* 4408041519	JUNTA BRIDA CELULA D-250/600EX/+
2	* 4408040145	PLACA CONTROL D180+ V1	8	* 4408041527	CELULA PORTA ELECTRODOS D-65/80EX/+
2	* 4408040146	PLACA CONTROL D300+ V1	8	* 4408041528	CELULA PORTA ELECTRODOS D-100/120EX/+
3	* 4408040088	LATIGUILLO BNC 0,7 EXTERNO	8	* 4408041529	CELULA PORTA ELECTRODOS D-150EX/+
3	* 4408040089	LATIGUILLO BNC EXT-2 BNC A PVA 24V	8	* 4408041530	CELULA PORTA ELECTRODOS D-250/300EX/+
4	* 4408041021	FILTRO 230V A-65/A-120 EX/PLUS	9	* 4408041531	DISCO METACRILATO D.158/10 MM. D-65/80EX/+
4	* 4408041609	FILTRO 380V A-150/A-250/A-600 EX/PLUS	9	* 4408041532	DISCO METACRILATO D.267/15 MM. D-100/150EX/+

**CODIGO**                    **35253, 35254, 35255, 35256, 35259, 35260, 35261, 35262, 45837, 45838, 45839, 45840**

**DESCRIPCION: ELECTROLISIS DE SAL Y CONTROL PH D-65-D-300 EX-PLUS**

**POSTERIOR A 04/2013**

9	* 4408041533	DISCO METACRILATO D.320/15 MM. D-250/600EX/+	15	* 60645	SENSOR CLORO LIBRE
10	* 4408041310	RACOR INSERCIÓN Sonda 12M/M.-1/2"	16	* 60648	ELECTRODO COMBINADO PH
11	* 4408041537	FILTRO CARTUCHO LAVABLE	17	* 60649	ELECTRODO ORP
12	* 4408041538	CARTUCHO 80 MICRAS	18	* 60646	ELECTROLITO ECC1/GEL Sonda CL
13	* 4408041541	SENSOR INDUCTIVO DE CAUDAL	19	* 60632	TAMPON PH 7.0 50 M/L. (ROJO)
14	* 60636	ELECTRODO AUTO-LIMPIANTE D-65/80 EX/+	20	* 60618	TAMPON PH 7.0 50 M/L. (VERDE)
14	* 60676	ELECTRODO AUTO-LIMPIANTE D-100/120 EX/+	21	* 60633	SOLUCION CALIBRACION 470MV.
14	* 60677	ELECTRODO AUTO-LIMPIANTE D-150 EX/+	22	* 60647	CABEZAL MEMBRANA SENSOR CLORO LIBRE
14	* 60678	ELECTRODO AUTO-LIMPIANTE D-250/300 EX/+			

**CODIGO 35253, 35254, 35255, 35256, 35259, 35260, 35261, 35262, 45837, 45838, 45839, 45840**

**DESCRIPCION: ELECTROLISIS DE SAL Y CONTROL PH D-65-D-300 EX-PLUS**

**POSTERIOR A 04/2013**

## OBSERVACIONES

POS	CODIGO	OBSERVACIONES
1	4408040148	PARA: 35253, 35254, 35255, 35256, 35259, 35260, 35261, 35262
1	4408040149	PARA: 45837, 45838, 45839, 45840
2	4408040138	PARA: 35253
2	4408040139	PARA: 35254
2	4408040140	PARA: 35255
2	4408040141	PARA: 35256
2	4408040143	PARA: 35259, 45837
2	4408040144	PARA: 35260, 45838
2	4408040145	PARA: 35261, 45839
2	4408040146	PARA: 35262, 45840
3	4408040088	PARA: 35259, 35260, 35261, 35262, 45837, 45838, 45839, 45840
3	4408040089	PARA: 45837, 45838, 45839, 45840
4	4408041021	PARA: 35253, 35254, 35259, 35260, 45837, 45838
4	4408041609	PARA: 35255, 35256, 35261, 35262, 45839, 45840
5	4408041410	PARA: 35253, 35259, 45837
5	4408041534	PARA: 35254, 35255, 35256, 35260, 35261, 35262, 45838, 45839, 45840
6	4408040077	PARA: 35253, 35259, 45837
6	4408040078	PARA: 35254, 35255, 35260, 35261, 45838, 45839
6	4408040079	PARA: 35256, 35262, 45840
7	4408041517	PARA: 35253, 35259, 45837
7	4408041518	PARA: 35254, 35255, 35260, 35261, 45838, 45839
7	4408041519	PARA: 35256, 35262, 45840
8	4408041527	PARA: 35253, 35259, 45837
8	4408041528	PARA: 35254, 35260, 45838
8	4408041529	PARA: 35255, 35261, 45839
8	4408041530	PARA: 35256, 35262, 45840
9	4408041531	PARA: 35253, 35259, 45837
9	4408041532	PARA: 35254, 35255, 35260, 35261, 45838, 45839
9	4408041533	PARA: 35256, 35262, 45840
10	4408041310	PARA: 35259, 35260, 35261, 35262, 45837, 45838, 45839, 45840
11	4408041537	PARA: 45837, 45838, 45839, 45840
12	4408041538	PARA: 45837, 45838, 45839, 45840
13	4408041541	PARA: 45837, 45838, 45839, 45840
14	60636	PARA: 35253, 35259, 45837
14	60676	PARA: 35254, 35260, 45838
14	60677	PARA: 35255, 35261, 45839
14	60678	PARA: 35256, 35262, 45840
15	60645	PARA: 45837, 45838, 45839, 45840
16	60648	PARA: 35259, 35260, 35261, 35262, 45837, 45838, 45839, 45840
17	60649	PARA: 35259, 35260, 35261, 35262
18	60646	PARA: 45837, 45838, 45839, 45840
19	60632	PARA: 35259, 35260, 35261, 35262, 45837, 45838, 45839, 45840
20	60618	PARA: 35259, 35260, 35261, 35262, 45837, 45838, 45839, 45840
21	60633	PARA: 35259, 35260, 35261, 35262
22	60647	PARA: 45837, 45838, 45839, 45840

**CODIGO**                    **35253, 35254, 35255, 35256, 35259, 35260, 35261, 35262, 45837, 45838, 45839, 45840**

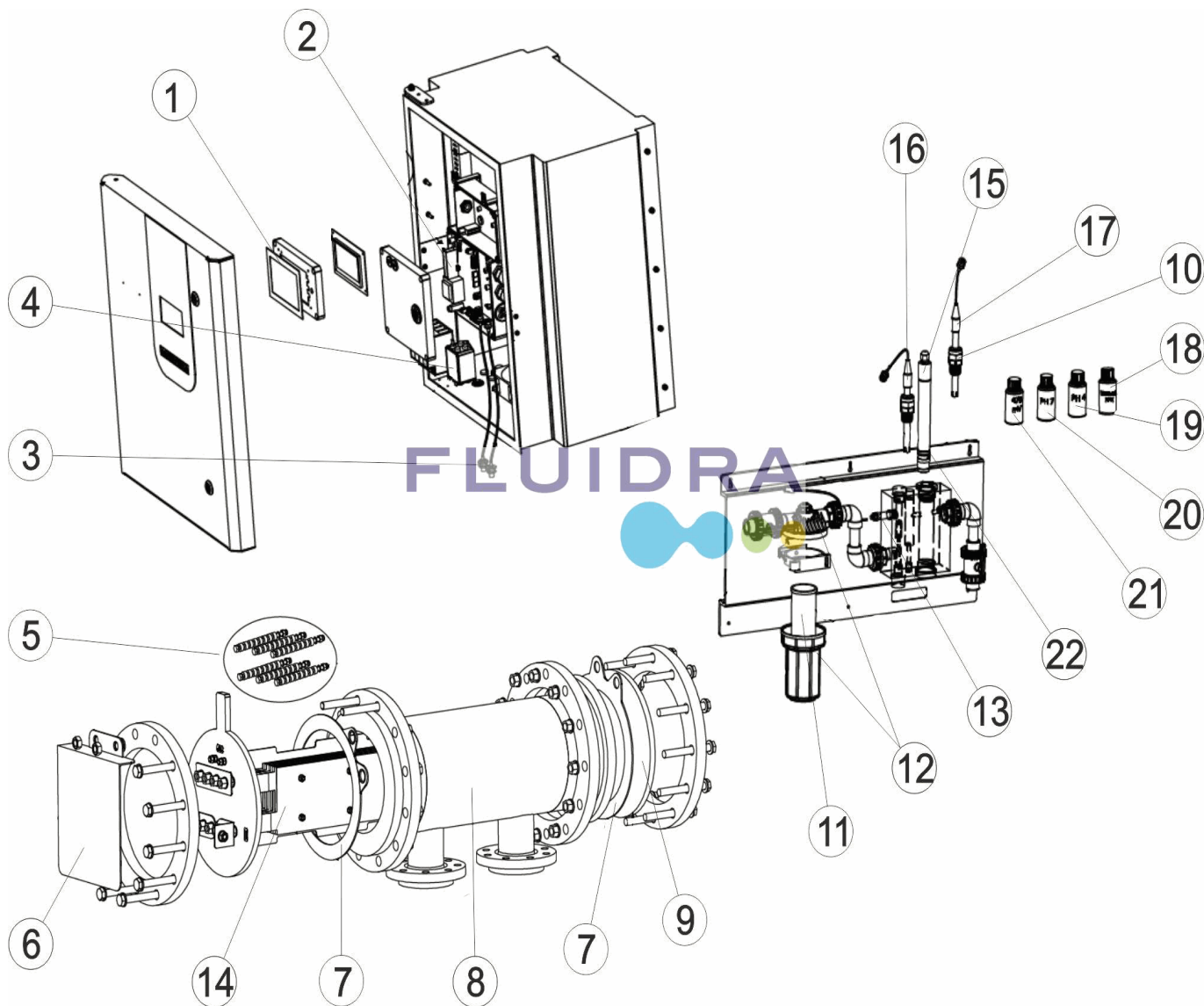
**DESCRIPCION: ELECTROLISIS DE SAL Y CONTROL PH D-65-D-300 EX-PLUS**

**POSTERIOR A 04/2013**

CODE 35253, 35254, 35255, 35256, 35259, 35260, 35261, 35262, 45837, 45838, 45839, 45840

DESCRIPTION: ÉLECTROLYSE AU SEL ET CONTRÔLE PH D-65/D-300 EX/PLUS

POSTÉRIEUR À 04/2013



FRANCAIS

POS	CODE	DESCRIPTION	POS	CODE	DESCRIPTION
1	* 4408040148	CARTE AFFICHEUR ÉLECTROLYSE DV1 EX	5	* 4408041410	KIT DE VIS POUR FIXATION D'ÉLECTRODES
1	* 4408040149	CARTE AFFICHEUR ÉLECTROLYSE DV1 EX2	5	* 4408041534	KIT DE VIS POUR FIXATION D'ÉLECTRODES D-100/300 EX/PLUS
2	* 4408040138	PLAQUE CONTRÔLE D80 V1	6	* 4408040077	PROTECTEUR CONTACTS D-80 EX
2	* 4408040139	PLAQUE CONTRÔLE D120 V1	6	* 4408040078	PROTECTEUR CONTACTS D-80 EX
2	* 4408040140	PLAQUE CONTRÔLE D180 V1	6	* 4408040079	PROTECTEUR CONTACTS D-80 EX
2	* 4408040141	PLAQUE CONTRÔLE D300 V1	7	* 4408041517	JOINT CELLULE D-65/80EX/+
2	* 4408040143	PLAQUE CONTRÔLE D80+ V1	7	* 4408041518	JOINT CELLULE D-100/150EX/+
2	* 4408040144	PLAQUE CONTRÔLE D120+ V1	7	* 4408041519	JOINT CELLULE D-250/D-600EX/+
2	* 4408040145	PLAQUE CONTRÔLE D180+ V1	8	* 4408041527	CELLULE PORTE-ÉLECTRODE D-65/80 EX/+
2	* 4408040146	PLAQUE CONTRÔLE D300+ V1	8	* 4408041528	CELLULE PORTE-ÉLECTRODE D-100/120 EX/+
3	* 4408040088	CÂBLE BNC 0,7	8	* 4408041529	CELLULE PORTE-ÉLECTRODE D-150 EX/+
3	* 4408040089	CÂBLE BNC EXT-2 BNC A PVA 24V	8	* 4408041530	CELLULE PORTE-ÉLECTRODE D-250/300 EX/+
4	* 4408041021	FILTRE 230V A-65/A-120 EX/PLUS	9	* 4408041531	DISQUE EN METACRYLATE D.158/10 MM. D-65/80EX/+
4	* 4408041609	FILTRE 380V A-150/A-250/A-600 EX/PLUS	9	* 4408041532	DISQUE EN METACRYLATE D.267/15 MM.. D-100/150EX/+

\* -> VOIR FICHE D'OBSERVATIONS

CODE **35253, 35254, 35255, 35256, 35259, 35260, 35261, 35262, 45837, 45838, 45839, 45840**

DESCRIPTION: **ÉLECTROLYSE AU SEL ET CONTRÔLE PH D-65/D-300 EX/PLUS**

**POSTÉRIEUR À 04/2013**

9	* 4408041533	DISQUE EN METACRYLATE D.320/15 MM. D-250/600E	15	* 60645	SONDE DE CHLORE LIBRE
10	* 4408041310	CONNECTEUR 12M/M. - 1/2"	16	* 60648	ELECTRODE COMBINÉE PH
11	* 4408041537	FILTRE CARTOUCHE LAVABLE	17	* 60649	ELECTRODE ORP
12	* 4408041538	CARTOUCHE 80 MICRONS	18	* 60646	ELECTROLYTE
13	* 4408041541	SONDE DE DÉBIT INDUCTIVE	19	* 60632	TAMPON PH 7,0 50 M/L. ROUGE
14	* 60636	ELECTRODE AUTO-NETTOYANTE D-65/80 EX/+	20	* 60618	TAMPON PH 7,0 50 M/L. VERT
14	* 60676	ELECTRODE AUTO-NETTOYANTE D-100/120 EX/+	21	* 60633	SOLUTION CALIBRAGE 470 MV
14	* 60677	ELECTRODE AUTO-NETTOYANTE D-150 EX/+	22	* 60647	CAPSULE MEMBRANE POUR SONDE CHLORE LIBRE
14	* 60678	ELECTRODE AUTO-NETTOYANTE D-250/300 EX/+			

CODE **35253, 35254, 35255, 35256, 35259, 35260, 35261, 35262, 45837, 45838, 45839, 45840**

DESCRIPTION: **ÉLECTROLYSE AU SEL ET CONTRÔLE PH D-65/D-300 EX/PLUS**

**POSTÉRIEUR À 04/2013**

## OBSERVATIONS

POS	CODE	OBSERVATIONS
1	4408040148	POUR: 35253, 35254, 35255, 35256, 35259, 35260, 35261, 35262
1	4408040149	POUR: 45837, 45838, 45839, 45840
2	4408040138	POUR: 35253
2	4408040139	POUR: 35254
2	4408040140	POUR: 35255
2	4408040141	POUR: 35256
2	4408040143	POUR: 35259, 45837
2	4408040144	POUR: 35260, 45838
2	4408040145	POUR: 35261, 45839
2	4408040146	POUR: 35262, 45840
3	4408040088	POUR: 35259, 35260, 35261, 35262, 45837, 45838, 45839, 45840
3	4408040089	POUR: 45837, 45838, 45839, 45840
4	4408041021	POUR: 35253, 35254, 35259, 35260, 45837, 45838
4	4408041609	POUR: 35255, 35256, 35261, 35262, 45839, 45840
5	4408041410	POUR: 35253, 35259, 45837
5	4408041534	POUR: 35254, 35255, 35256, 35260, 35261, 35262, 45838, 45839, 45840
6	4408040077	POUR: 35253, 35259, 45837
6	4408040078	POUR: 35254, 35255, 35260, 35261, 45838, 45839
6	4408040079	POUR: 35256, 35262, 45840
7	4408041517	POUR: 35253, 35259, 45837
7	4408041518	POUR: 35254, 35255, 35260, 35261, 45838, 45839
7	4408041519	POUR: 35256, 35262, 45840
8	4408041527	POUR: 35253, 35259, 45837
8	4408041528	POUR: 35254, 35260, 45838
8	4408041529	POUR: 35255, 35261, 45839
8	4408041530	POUR: 35256, 35262, 45840
9	4408041531	POUR: 35253, 35259, 45837
9	4408041532	POUR: 35254, 35255, 35260, 35261, 45838, 45839
9	4408041533	POUR: 35256, 35262, 45840
10	4408041310	POUR: 35259, 35260, 35261, 35262, 45837, 45838, 45839, 45840
11	4408041537	POUR: 45837, 45838, 45839, 45840
12	4408041538	POUR: 45837, 45838, 45839, 45840
13	4408041541	POUR: 45837, 45838, 45839, 45840
14	60636	POUR: 35253, 35259, 45837
14	60676	POUR: 35254, 35260, 45838
14	60677	POUR: 35255, 35261, 45839
14	60678	POUR: 35256, 35262, 45840
15	60645	POUR: 45837, 45838, 45839, 45840
16	60648	POUR: 35259, 35260, 35261, 35262, 45837, 45838, 45839, 45840
17	60649	POUR: 35259, 35260, 35261, 35262
18	60646	POUR: 45837, 45838, 45839, 45840
19	60632	POUR: 35259, 35260, 35261, 35262, 45837, 45838, 45839, 45840
20	60618	POUR: 35259, 35260, 35261, 35262, 45837, 45838, 45839, 45840
21	60633	POUR: 35259, 35260, 35261, 35262
22	60647	POUR: 45837, 45838, 45839, 45840

CODE                    **35253, 35254, 35255, 35256, 35259, 35260, 35261, 35262, 45837, 45838,  
45839, 45840**

DESCRIPTION: **ÉLECTROLYSE AU SEL ET CONTRÔLE PH D-65/D-300 EX/PLUS**

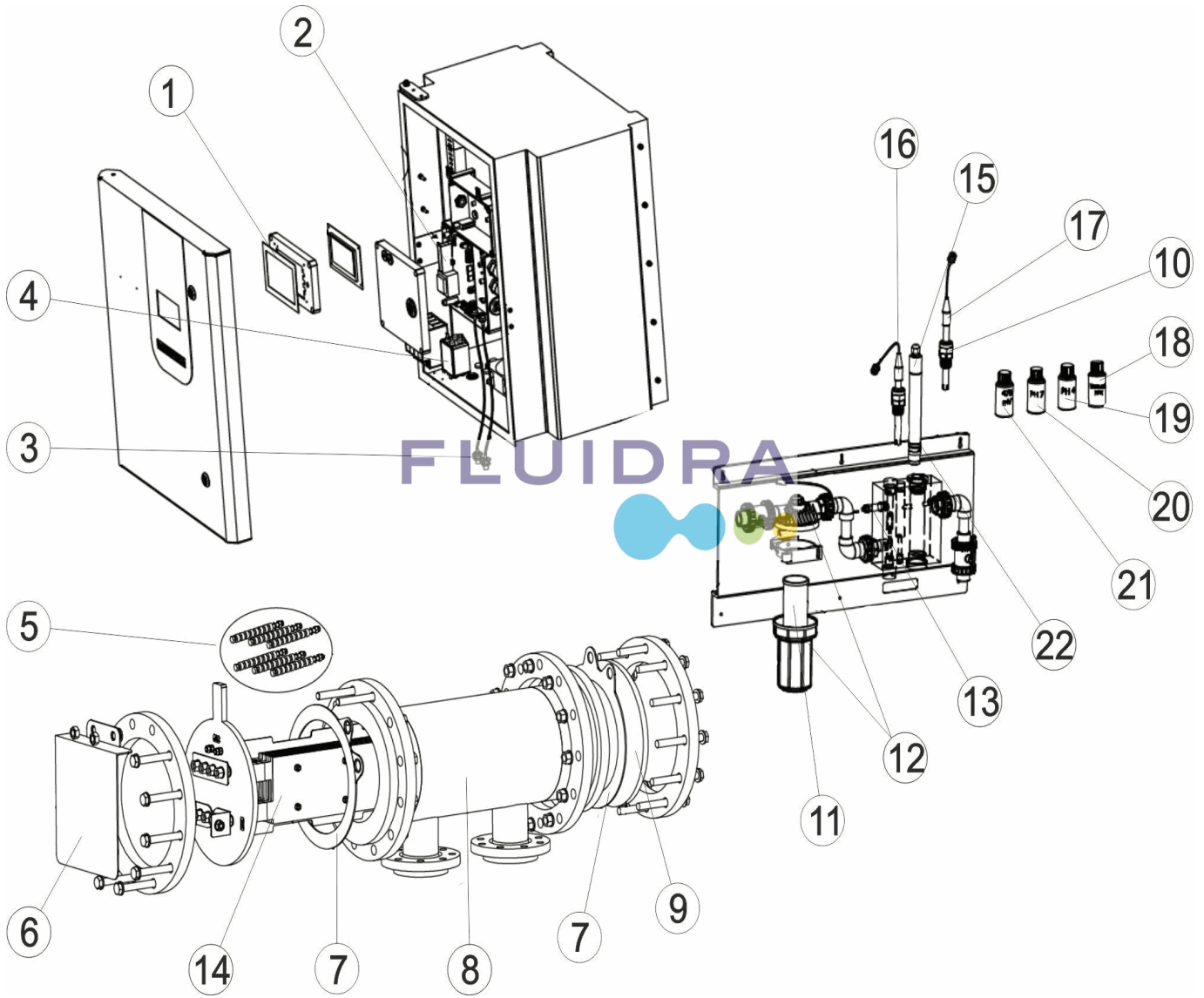
**POSTÉRIEUR À 04/2013**



CODE **35253, 35254, 35255, 35256, 35259, 35260, 35261, 35262, 45837, 45838, 45839, 45840**

DESCRIPTION: **SALT ELECTROLYSIS AND PH CONTROL D-65/300 EX/PLUS**

**AFTER 04/2013**



**ENGLISH**

POS	CODE	DESCRIPTION	POS	CODE	DESCRIPTION
1	* 4408040148	DV1 EX ELECTROLYSIS VIEWER CARD	5	* 4408041410	SCREW KIT FOR ELECTRODE FIXATION
1	* 4408040149	DV1 EX2 ELECTROLYSIS VIEWER CARD	5	* 4408041534	SCREW KIT FOR ELECTRODE FIXATION D-100/300
2	* 4408040138	ELECTRONIC CARD D80 V1	6	* 4408040077	CONTAC PROTECTION D-80 EX
2	* 4408040139	ELECTRONIC CARD D120 V1	6	* 4408040078	CONTAC PROTECTION D-80 EX
2	* 4408040140	ELECTRONIC CARD D180 V1	6	* 4408040079	CONTAC PROTECTION D-80 EX
2	* 4408040141	ELECTRONIC CARD D300 V1	7	* 4408041517	CELL GASKET D-65/80EX/+
2	* 4408040143	ELECTRONIC CARD D80+ V1	7	* 4408041518	CELL GASKET D-100/150EX/+
2	* 4408040144	ELECTRONIC CARD D120+ V1	7	* 4408041519	CELL GASKET D-250/D-600EX/+
2	* 4408040145	ELECTRONIC CARD D180+ V1	8	* 4408041527	ELECTRODE CELL D-65/80 EX/+
2	* 4408040146	ELECTRONIC CARD D300+ V1	8	* 4408041528	ELECTRODE CELL D-100/120 EX/+
3	* 4408040088	BNC 0,7 EX CABLE	8	* 4408041529	ELECTRODE CELL D-150 EX/+
3	* 4408040089	EXT-2 BNC A PVA 24V CABLE	8	* 4408041530	ELECTRODE CELL D-250/300 EX/+
4	* 4408041021	FILTER 230V A-65/A-120 EX/PLUS	9	* 4408041531	METHACRYLATE DISK D.158/10 MM. D-65/80EX/+
4	* 4408041609	FILTER 380V A-150/A-250/A-600 EX/PLUS	9	* 4408041532	METHACRYLATE DISK D.267/15 MM.. D-100/150EX/+

**\* -> SEE OBSERVATIONS SHEET**

CODE **35253, 35254, 35255, 35256, 35259, 35260, 35261, 35262, 45837, 45838, 45839, 45840**

DESCRIPTION: **SALT ELECTROLYSIS AND PH CONTROL D-65/300 EX/PLUS**

**AFTER 04/2013**

9	* 4408041533	METHACRYLATE DISK D.320/15 MM. D-250/600EX/+	15	* 60645	FREE CHLORINE SENSOR
10	* 4408041310	CONNECTOR 12M/M. - 1/2"	16	* 60648	ELECTRODE PH
11	* 4408041537	WASHABLE CARTRIDGE FILTER	17	* 60649	ORP ELECTRODE
12	* 4408041538	80 MICRONS CARTRIDGE	18	* 60646	ELECTROLITE
13	* 4408041541	INDUCTIVE FLOW SENSOR	19	* 60632	CALIBRATION SOLUTION PH 7.0 (RED)
14	* 60636	SELF-CLEANING ELECTRODE D-65/80 EX/+	20	* 60618	CALIBRATION SOLUTION PH 7.0 50 M/L.(GREEN)
14	* 60676	SELF-CLEANING D-100/120 EX/+	21	* 60633	CALIBRATION SOLUTION ORP 470 MV
14	* 60677	SELF-CLEANING D-150 EX/+	22	* 60647	MEMBRANE CAP FOR FREE CHLORINE SENSOR
14	* 60678	SELF-CLEANING D-250/300 EX/+			

CODE **35253, 35254, 35255, 35256, 35259, 35260, 35261, 35262, 45837, 45838, 45839, 45840**

DESCRIPTION: **SALT ELECTROLYSIS AND PH CONTROL D-65/300 EX/PLUS**

**AFTER 04/2013**

## OBSERVATIONS

POS	CODE	OBSERVATIONS
1	4408040148	FOR: 35253, 35254, 35255, 35256, 35259, 35260, 35261, 35262
1	4408040149	FOR: 45837, 45838, 45839, 45840
2	4408040138	FOR: 35253
2	4408040139	FOR: 35254
2	4408040140	FOR: 35255
2	4408040141	FOR: 35256
2	4408040143	FOR: 35259, 45837
2	4408040144	FOR: 35260, 45838
2	4408040145	FOR: 35261, 45839
2	4408040146	FOR: 35262, 45840
3	4408040088	FOR: 35259, 35260, 35261, 35262, 45837, 45838, 45839, 45840
3	4408040089	FOR: 45837, 45838, 45839, 45840
4	4408041021	FOR: 35253, 35254, 35259, 35260, 45837, 45838
4	4408041609	FOR: 35255, 35256, 35261, 35262, 45839, 45840
5	4408041410	FOR: 35253, 35259, 45837
5	4408041534	FOR: 35254, 35255, 35256, 35260, 35261, 35262, 45838, 45839, 45840
6	4408040077	FOR: 35253, 35259, 45837
6	4408040078	FOR: 35254, 35255, 35260, 35261, 45838, 45839
6	4408040079	FOR: 35256, 35262, 45840
7	4408041517	FOR: 35253, 35259, 45837
7	4408041518	FOR: 35254, 35255, 35260, 35261, 45838, 45839
7	4408041519	FOR: 35256, 35262, 45840
8	4408041527	FOR: 35253, 35259, 45837
8	4408041528	FOR: 35254, 35260, 45838
8	4408041529	FOR: 35255, 35261, 45839
8	4408041530	FOR: 35256, 35262, 45840
9	4408041531	FOR: 35253, 35259, 45837
9	4408041532	FOR: 35254, 35255, 35260, 35261, 45838, 45839
9	4408041533	FOR: 35256, 35262, 45840
10	4408041310	FOR: 35259, 35260, 35261, 35262, 45837, 45838, 45839, 45840
11	4408041537	FOR: 45837, 45838, 45839, 45840
12	4408041538	FOR: 45837, 45838, 45839, 45840
13	4408041541	FOR: 45837, 45838, 45839, 45840
14	60636	FOR: 35253, 35259, 45837
14	60676	FOR: 35254, 35260, 45838
14	60677	FOR: 35255, 35261, 45839
14	60678	FOR: 35256, 35262, 45840
15	60645	FOR: 45837, 45838, 45839, 45840
16	60648	FOR: 35259, 35260, 35261, 35262, 45837, 45838, 45839, 45840
17	60649	FOR: 35259, 35260, 35261, 35262
18	60646	FOR: 45837, 45838, 45839, 45840
19	60632	FOR: 35259, 35260, 35261, 35262, 45837, 45838, 45839, 45840
20	60618	FOR: 35259, 35260, 35261, 35262, 45837, 45838, 45839, 45840
21	60633	FOR: 35259, 35260, 35261, 35262
22	60647	FOR: 45837, 45838, 45839, 45840

CODE                    **35253, 35254, 35255, 35256, 35259, 35260, 35261, 35262, 45837, 45838,  
45839, 45840**

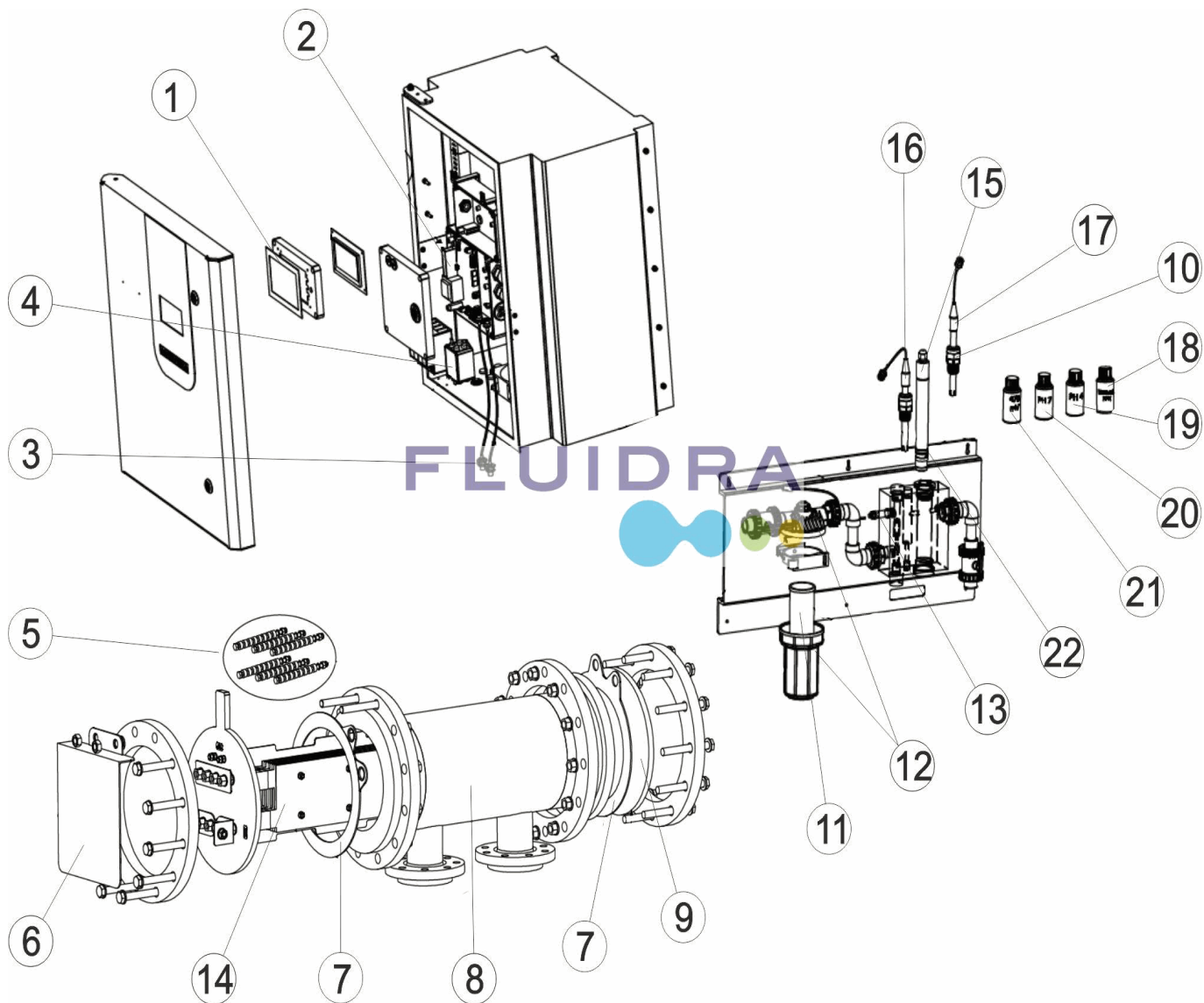
DESCRIPTION: **SALT ELECTROLYSIS AND PH CONTROL D-65/300 EX/PLUS**

**AFTER 04/2013**

**CODICE**                    **35253, 35254, 35255, 35256, 35259, 35260, 35261, 35262, 45837, 45838, 45839, 45840**

**DESCRIZIONE: Elettrolisi da sale e controllo PH D-65/D-300 EX/PLUS**

**DOPO IL 04/2013**



**ITALIANO**

POS	CODICE	DESCRIZIONE	POS	CODICE	DESCRIZIONE
1	* 4408040148	SCHEDA VISORE ELETTROLISI DV1 EX	5	* 4408041410	KIT DI VITI PER FISSAGGIO DELL'ELETTRODO
1	* 4408040149	SCHEDA VISORE ELETTROLISI DV1 EX2	5	* 4408041534	KIT DI VITI PER FISSAGGIO DELL'ELETTRODO D-100
2	* 4408040138	SCHEDA D80 V1	6	* 4408040077	PROTECTORE CONTATTI D-80 EX
2	* 4408040139	SCHEDA D120 V1	6	* 4408040078	PROTECTORE CONTATTI D-80 EX
2	* 4408040140	SCHEDA D180 V1	6	* 4408040079	PROTECTORE CONTATTI D-80 EX
2	* 4408040141	SCHEDA D300 V1	7	* 4408041517	GIUNTA CELLULA D-65/80EX/+
2	* 4408040143	SCHEDA D80+ V1	7	* 4408041518	GIUNTA CELLULA D-100/150EX/+
2	* 4408040144	SCHEDA D120+ V1	7	* 4408041519	GIUNTA CELLULA D-250/D-600EX/+
2	* 4408040145	SCHEDA D180+ V1	8	* 4408041527	CELLA PORTAELETTRODI D-65/80 EX/+
2	* 4408040146	SCHEDA D300+ V1	8	* 4408041528	CELLA PORTAELETTRODI D-100/120 EX/+
3	* 4408040088	CAVO BNC 0,7	8	* 4408041529	CELLA PORTAELETTRODI D-150 EX/+
3	* 4408040089	CAVO BNC EXT-2 BNC A PVA 24V	8	* 4408041530	CELLA PORTAELETTRODI D-250/300 EX/+
4	* 4408041021	FILTRE 230V A-65/A-120 EX/PLUS	9	* 4408041531	DISC METACRILATO D.158/10 MM. D-65/80EX/+
4	* 4408041609	FILTRE 380V A-150/A-250/A-600 EX/PLUS	9	* 4408041532	DISC METACRILATO D.267/15 MM.. D-100/150EX/+

**\* -> SI FACCIAMO RIFERIMENTO AL FOGLIO DELLE OSSERVAZIONI**

**CODICE**                    **35253, 35254, 35255, 35256, 35259, 35260, 35261, 35262, 45837, 45838, 45839, 45840**

**DESCRIZIONE: ELETTROLISI DA SALE E CONTROLLO PH D-65/D-300 EX/PLUS**

**DOPO IL 04/2013**

9	* 4408041533	DISC METACRILATO D.267/15 MM. D-250/600EX/+	15	* 60645	SONDA DI CLORO LIBERO
10	* 4408041310	CONNETTORE 12M/M. - 1/2"	16	* 60648	ELETTRODO COMBINATO PH
11	* 4408041537	FILTRO CARTUCCIA LAVABILE	17	* 60649	ELETTRODO RX
12	* 4408041538	CARTUCCIA 80 MICRON	18	* 60646	ELETTROLITO
13	* 4408041541	SONDA DI FLUSSO INDUTTIVA	19	* 60632	SOLUZIONE TAMPONE PH 7,0 50 M/L. ROSSO
14	* 60636	ELETTRODO AUTOPULENTI D-65/80 EX/+	20	* 60618	SOLUZIONE TAMPONE PH 7,0 50 M/L. VERDE
14	* 60676	ELETTRODO AUTOPULENTI D-100/120 EX/+	21	* 60633	SOLUZIONE CALIBRAZIONE 470MV.
14	* 60677	ELETTRODO AUTOPULENTI D-150 EX/+	22	* 60647	TAPPO MEMBRANA PER SONDA CLORO LIBERO
14	* 60678	ELETTRODO AUTOPULENTI D-250/300 EX/+			

**CODICE 35253, 35254, 35255, 35256, 35259, 35260, 35261, 35262, 45837, 45838, 45839, 45840**

**DESCRIZIONE: ELETTROLISI DA SALE E CONTROLLO PH D-65/D-300 EX/PLUS**

**DOPO IL 04/2013**

## OSSERVAZIONI

POS	CODICE	OSSERVAZIONI
1	4408040148	PER: 35253, 35254, 35255, 35256, 35259, 35260, 35261, 35262
1	4408040149	PER: 45837, 45838, 45839, 45840
2	4408040138	PER: 35253
2	4408040139	PER: 35254
2	4408040140	PER: 35255
2	4408040141	PER: 35256
2	4408040143	PER: 35259, 45837
2	4408040144	PER: 35260, 45838
2	4408040145	PER: 35261, 45839
2	4408040146	PER: 35262, 45840
3	4408040088	PER: 35259, 35260, 35261, 35262, 45837, 45838, 45839, 45840
3	4408040089	PER: 45837, 45838, 45839, 45840
4	4408041021	PER: 35253, 35254, 35259, 35260, 45837, 45838
4	4408041609	PER: 35255, 35256, 35261, 35262, 45839, 45840
5	4408041410	PER: 35253, 35259, 45837
5	4408041534	PER: 35254, 35255, 35256, 35260, 35261, 35262, 45838, 45839, 45840
6	4408040077	PER: 35253, 35259, 45837
6	4408040078	PER: 35254, 35255, 35260, 35261, 45838, 45839
6	4408040079	PER: 35256, 35262, 45840
7	4408041517	PER: 35253, 35259, 45837
7	4408041518	PER: 35254, 35255, 35260, 35261, 45838, 45839
7	4408041519	PER: 35256, 35262, 45840
8	4408041527	PER: 35253, 35259, 45837
8	4408041528	PER: 35254, 35260, 45838
8	4408041529	PER: 35255, 35261, 45839
8	4408041530	PER: 35256, 35262, 45840
9	4408041531	PER: 35253, 35259, 45837
9	4408041532	PER: 35254, 35255, 35260, 35261, 45838, 45839
9	4408041533	PER: 35256, 35262, 45840
10	4408041310	PER: 35259, 35260, 35261, 35262, 45837, 45838, 45839, 45840
11	4408041537	PER: 45837, 45838, 45839, 45840
12	4408041538	PER: 45837, 45838, 45839, 45840
13	4408041541	PER: 45837, 45838, 45839, 45840
14	60636	PER: 35253, 35259, 45837
14	60676	PER: 35254, 35260, 45838
14	60677	PER: 35255, 35261, 45839
14	60678	PER: 35256, 35262, 45840
15	60645	PER: 45837, 45838, 45839, 45840
16	60648	PER: 35259, 35260, 35261, 35262, 45837, 45838, 45839, 45840
17	60649	PER: 35259, 35260, 35261, 35262
18	60646	PER: 45837, 45838, 45839, 45840
19	60632	PER: 35259, 35260, 35261, 35262, 45837, 45838, 45839, 45840
20	60618	PER: 35259, 35260, 35261, 35262, 45837, 45838, 45839, 45840
21	60633	PER: 35259, 35260, 35261, 35262
22	60647	PER: 45837, 45838, 45839, 45840

**CODICE**                    **35253, 35254, 35255, 35256, 35259, 35260, 35261, 35262, 45837, 45838,  
45839, 45840**

**DESCRIZIONE: ELETTROLISI DA SALE E CONTROLLO PH D-65/D-300 EX/PLUS**

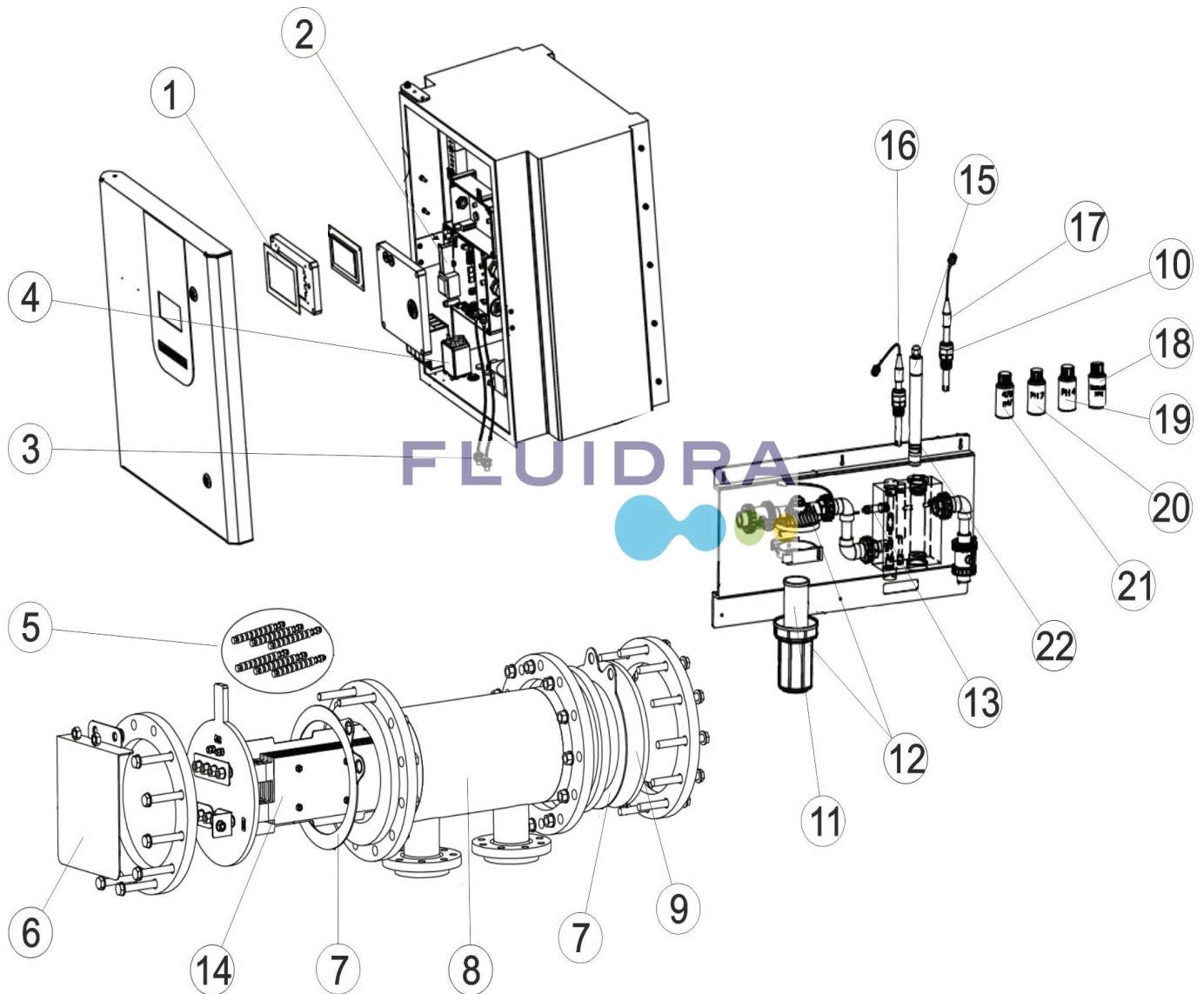
**DOPO IL 04/2013**



CODE **35253, 35254, 35255, 35256, 35259, 35260, 35261, 35262, 45837, 45838, 45839, 45840**

BESCHREIBUNG: **SALZ-ELEKTROLYSE UND PH-KONTROLLE D-65/D-300 EX/PLUS**

NACH 04/2013



**DEUTSCH**

POS	CODE	BESCHREIBUNG	POS	CODE	BESCHREIBUNG
1	* 4408040148	ANZEIGEKARTE ELEKTROLYSE DV1 EX	5	* 4408041410	SCHRAUBENSATZ FÜR ELEKTRODEN FIXATION
1	* 4408040149	ANZEIGEKARTE ELEKTROLYSE DV1 EX2	5	* 4408041534	SCHRAUBENSATZ FÜR ELEKTRODEN FIXATION D-100
2	* 4408040138	SCHALTKARTE D80 V1	6	* 4408040077	KONTAKTSCHUTZ D-80 EX
2	* 4408040139	SCHALTKARTE D120 V1	6	* 4408040078	KONTAKTSCHUTZ D-80 EX
2	* 4408040140	SCHALTKARTE D180 V1	6	* 4408040079	KONTAKTSCHUTZ D-80 EX
2	* 4408040141	SCHALTKARTE D300 V1	7	* 4408041517	ZELLENDICHTUNG D-65/80EX/+
2	* 4408040143	SCHALTKARTE D80+ V1	7	* 4408041518	ZELLENDICHTUNG D-100/150EX/+
2	* 4408040144	SCHALTKARTE D120+ V1	7	* 4408041519	ZELLENDICHTUNG D-250/600EX/+
2	* 4408040145	SCHALTKARTE D180+ V1	8	* 4408041527	ELECTRDENZELLE D-65/80 EX/+
2	* 4408040146	SCHALTKARTE D300+ V1	8	* 4408041528	ELECTRDENZELLE D-100/120 EX/+
3	* 4408040088	BNC 0,7 KABEL	8	* 4408041529	ELECTRDENZELLE D-150 EX/+
3	* 4408040089	KABEL BNC EXT-2 BNC A PVA 24V	8	* 4408041530	ELECTRDENZELLE D-250/300 EX/+
4	* 4408041021	FILTER 230V A-65/A-120 EX/PLUS	9	* 4408041531	METHACRYLAT-SCHEIBE D.158/10 MM. D-65/80EX/+
4	* 4408041609	FILTER 380V A-150/A-250/A-600 EX/PLUS	9	* 4408041532	METHACRYLAT-SCHEIBE D.267/15 MM.. D-100/150EX

CODE **35253, 35254, 35255, 35256, 35259, 35260, 35261, 35262, 45837, 45838, 45839, 45840**

BESCHREIBUNG: **SALZ-ELEKTROLYSE UND PH-KONTROLLE D-65/D-300 EX/PLUS**

**NACH 04/2013**

9	* 4408041533	METHACRYLAT-SCHEIBE D.320/15 MM. D-250/600EX/	15	* 60645	FREIER CHLOR-SENSOR
10	* 4408041310	VERBINDUNGSSTÜCK 12M/M. - 1/2"	16	* 60648	ELEKTRODE PH
11	* 4408041537	WASCHBAER PATRONENFILTER	17	* 60649	ORP ELEKTRODE
12	* 4408041538	80-MIKRON PATRONE	18	* 60646	ELEKTROLYT
13	* 4408041541	INDUKTIVER STRÖMUNGSMESSWERTGEBER	19	* 60632	KALIBRIERUNGSLÖSUNG PH 7.0 (GRÜN)
14	* 60636	SELBSTREINIGENDER ELEKTRODE D-65/80 EX/+	20	* 60618	KALIBRIERUNGSLÖSUNG PH 7.0 50 M/L. (ROT)
14	* 60676	SELBSTREINIGENDER ELEKTRODE D-100/120 EX	21	* 60633	KALIBRIERUNGSLÖSUNG ORP 470 MV
14	* 60677	SELBSTREINIGENDER ELEKTRODE D-150 EX/+	22	* 60647	MEMBRANEN-KAPPE FÜR FREIEN CHLOR-SENSOR
14	* 60678	SELBSTREINIGENDER ELEKTRODE D-250/300 EX			

CODE **35253, 35254, 35255, 35256, 35259, 35260, 35261, 35262, 45837, 45838, 45839, 45840**

BESCHREIBUNG: **SALZ-ELEKTROLYSE UND PH-KONTROLLE D-65/D-300 EX/PLUS**

**NACH 04/2013**

## HINWEISE

POS	CODE	HINWEISE
1	4408040148	FÜR: 35253, 35254, 35255, 35256, 35259, 35260, 35261, 35262
1	4408040149	FÜR: 45837, 45838, 45839, 45840
2	4408040138	FÜR: 35253
2	4408040139	FÜR: 35254
2	4408040140	FÜR: 35255
2	4408040141	FÜR: 35256
2	4408040143	FÜR: 35259, 45837
2	4408040144	FÜR: 35260, 45838
2	4408040145	FÜR: 35261, 45839
2	4408040146	FÜR: 35262, 45840
3	4408040088	FÜR: 35259, 35260, 35261, 35262, 45837, 45838, 45839, 45840
3	4408040089	FÜR: 45837, 45838, 45839, 45840
4	4408041021	FÜR: 35253, 35254, 35259, 35260, 45837, 45838
4	4408041609	FÜR: 35255, 35256, 35261, 35262, 45839, 45840
5	4408041410	FÜR: 35253, 35259, 45837
5	4408041534	FÜR: 35254, 35255, 35256, 35260, 35261, 35262, 45838, 45839, 45840
6	4408040077	FÜR: 35253, 35259, 45837
6	4408040078	FÜR: 35254, 35255, 35260, 35261, 45838, 45839
6	4408040079	FÜR: 35256, 35262, 45840
7	4408041517	FÜR: 35253, 35259, 45837
7	4408041518	FÜR: 35254, 35255, 35260, 35261, 45838, 45839
7	4408041519	FÜR: 35256, 35262, 45840
8	4408041527	FÜR: 35253, 35259, 45837
8	4408041528	FÜR: 35254, 35260, 45838
8	4408041529	FÜR: 35255, 35261, 45839
8	4408041530	FÜR: 35256, 35262, 45840
9	4408041531	FÜR: 35253, 35259, 45837
9	4408041532	FÜR: 35254, 35255, 35260, 35261, 45838, 45839
9	4408041533	FÜR: 35256, 35262, 45840
10	4408041310	FÜR: 35259, 35260, 35261, 35262, 45837, 45838, 45839, 45840
11	4408041537	FÜR: 45837, 45838, 45839, 45840
12	4408041538	FÜR: 45837, 45838, 45839, 45840
13	4408041541	FÜR: 45837, 45838, 45839, 45840
14	60636	FÜR: 35253, 35259, 45837
14	60676	FÜR: 35254, 35260, 45838
14	60677	FÜR: 35255, 35261, 45839
14	60678	FÜR: 35256, 35262, 45840
15	60645	FÜR: 45837, 45838, 45839, 45840
16	60648	FÜR: 35259, 35260, 35261, 35262, 45837, 45838, 45839, 45840
17	60649	FÜR: 35259, 35260, 35261, 35262
18	60646	FÜR: 45837, 45838, 45839, 45840
19	60632	FÜR: 35259, 35260, 35261, 35262, 45837, 45838, 45839, 45840
20	60618	FÜR: 35259, 35260, 35261, 35262, 45837, 45838, 45839, 45840
21	60633	FÜR: 35259, 35260, 35261, 35262
22	60647	FÜR: 45837, 45838, 45839, 45840

CODE                    **35253, 35254, 35255, 35256, 35259, 35260, 35261, 35262, 45837, 45838,  
45839, 45840**

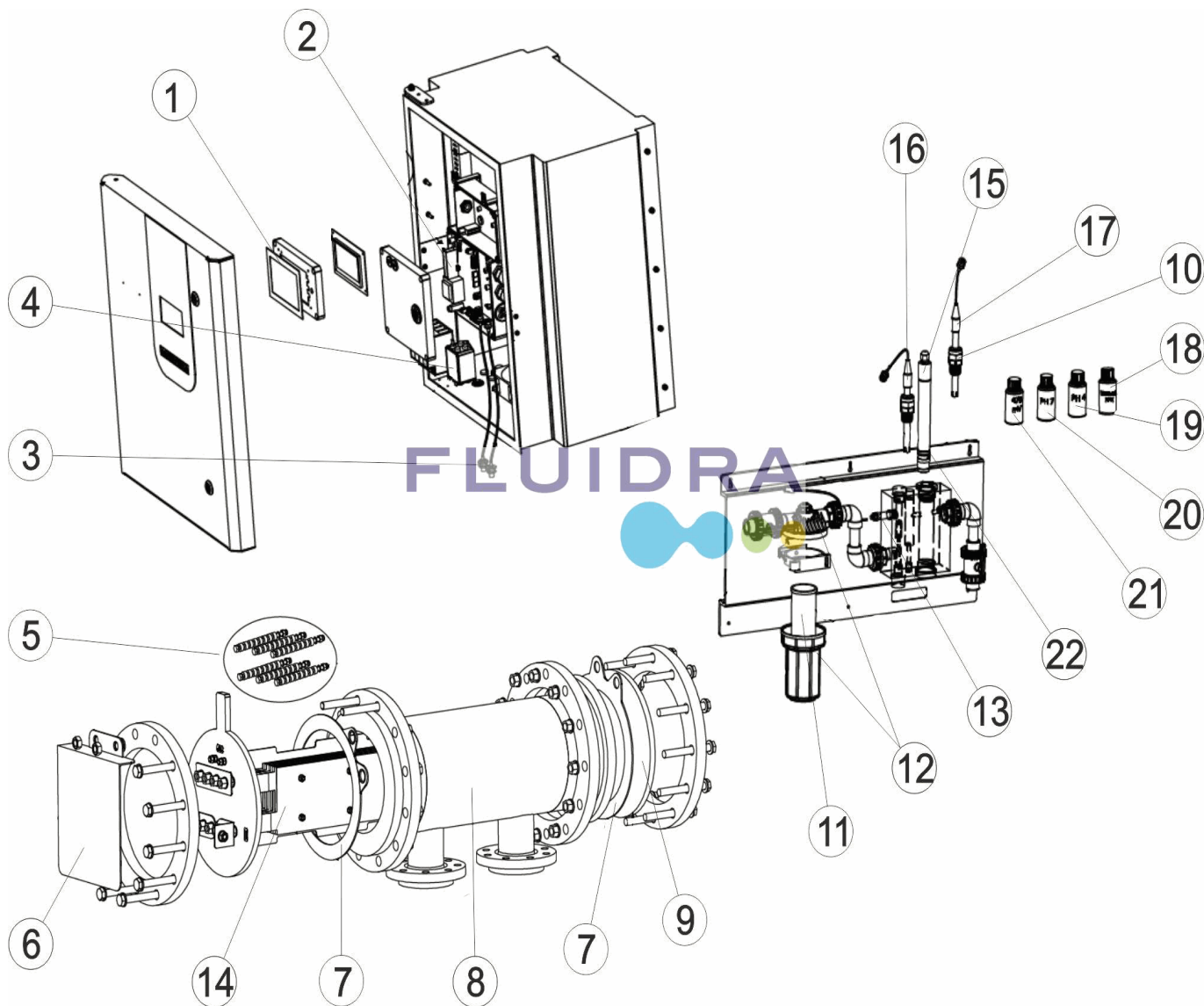
BESCHREIBUNG: **SALZ-ELEKTROLYSE UND PH-KONTROLLE D-65/D-300 EX/PLUS**

**NACH 04/2013**

**CODIGO 35253, 35254, 35255, 35256, 35259, 35260, 35261, 35262, 45837, 45838, 45839, 45840**

**DESCRIÇÃO: ELECTRÓLISE DE SAL E CONTROLO PH D-65/D-300 EX/PLUS**

**POST. A 04/2013**



**PORTUGUES**

POS	CODIGO	DESCRIÇÃO	POS	CODIGO	DESCRIÇÃO
1	* 4408040148	PLACA VISUALIZAÇÃO ELECTRÓLISE DV1 EX	5	* 4408041410	CJTO.PARAFUSOS DE FIXAÇÃO DE ELECTRODOS
1	* 4408040149	PLACA VISUALIZAÇÃO ELECTRÓLISE DV1 EX2	5	* 4408041534	CJTO.PARAFUSOS DE FIXAÇÃO DE ELECTRODOS 1
2	* 4408040138	PLACA CONTROLO D80 V1	6	* 4408040077	PROTECTOR CONTACTOS D-80 EX
2	* 4408040139	PLACA CONTROLO D120 V1	6	* 4408040078	PROTECTOR CONTACTOS D-80 EX
2	* 4408040140	PLACA CONTROLO D180 V1	6	* 4408040079	PROTECTOR CONTACTOS D-80 EX
2	* 4408040141	PLACA CONTROLO D300 V1	7	* 4408041517	JUNTA CELULA D-65/80EX/+
2	* 4408040143	PLACA CONTROLO D80+ V1	7	* 4408041518	JUNTA CELULA D-100/D-150EX/+
2	* 4408040144	PLACA CONTROLO D120+ V1	7	* 4408041519	JUNTA CELULA D-250/D-600EX/+
2	* 4408040145	PLACA CONTROLO D180+ V1	8	* 4408041527	VASO PORTA-ELECTRODOS D-65/80 EX/+
2	* 4408040146	PLACA CONTROLO D300+ V1	8	* 4408041528	VASO PORTA-ELECTRODOS D-100/120 EX/+
3	* 4408040088	CABO BNC 0,7	8	* 4408041529	VASO PORTA-ELECTRODOS D-150 EX/+
3	* 4408040089	CABO BNC EXT-2 BNC A PVA 24V	8	* 4408041530	VASO PORTA-ELECTRODOS D-250/300 EX/+
4	* 4408041021	FILTRO 230V A-65/A-120 EX/PLUS	9	* 4408041531	DISCO METACRILATO D.158/10 MM. D-65/80EX/+
4	* 4408041609	FILTRO 380V A-150/A-250/A-600 EX/PLUS	9	* 4408041532	DISCO METACRILATO D.267/15 MM. D-100/150EX/+

**\* -> VEJA A FICHA DE OBSERVAÇÕES**

**CODIGO**                    **35253, 35254, 35255, 35256, 35259, 35260, 35261, 35262, 45837, 45838, 45839, 45840**

**DESCRIÇÃO: ELECTRÓLISE DE SAL E CONTROLO PH D-65/D-300 EX/PLUS**

**POST. A 04/2013**

9	* 4408041533	DISCO METACRILATO D.320/15 MM. D-250/600EX/+	15	* 60645	SONDA DE CLORO LIVRE
10	* 4408041310	CONECTOR 12M/M. - 1/2"	16	* 60648	ELECTRODO COMBINADO PH
11	* 4408041537	FILTRO CARTUCHO LAVÁVEL	17	* 60649	ELECTRODO ORP
12	* 4408041538	CARTUCHO 80 MÍCRONS	18	* 60646	ELECTROLITO
13	* 4408041541	SONDA DE CAUDAL INDUTIVA	19	* 60632	SOLUÇÃO TAMPÃO PH 7.0
14	* 60636	ELECTRODO AUTO-LIMPANT. D-65 EX/+	20	* 60618	SOLUÇÃO TAMPÃO PH 7.0 50 M/L.
14	* 60676	ELECTRODO AUTO-LIMPANT. D-100 EX/+	21	* 60633	SOLUÇÃO TAMPÃO 470 MV
14	* 60677	ELECTRODO AUTO-LIMPANT. D-150 EX/+	22	* 60647	CÁPSULA MEMBRANA PARA SONDA CLORO LIVRE
14	* 60678	ELECTRODO AUTO-LIMPANT. D-250 EX/+			

**CODIGO 35253, 35254, 35255, 35256, 35259, 35260, 35261, 35262, 45837, 45838, 45839, 45840**

**DESCRIÇÃO: ELECTRÓLISE DE SAL E CONTROLO PH D-65/D-300 EX/PLUS**

**POST. A 04/2013**

## OBSERVAÇÕES

POS	CODIGO	OBSERVAÇÕES
1	4408040148	PARA: 35253, 35254, 35255, 35256, 35259, 35260, 35261, 35262
1	4408040149	PARA: 45837, 45838, 45839, 45840
2	4408040138	PARA: 35253
2	4408040139	PARA: 35254
2	4408040140	PARA: 35255
2	4408040141	PARA: 35256
2	4408040143	PARA: 35259, 45837
2	4408040144	PARA: 35260, 45838
2	4408040145	PARA: 35261, 45839
2	4408040146	PARA: 35262, 45840
3	4408040088	PARA: 35259, 35260, 35261, 35262, 45837, 45838, 45839, 45840
3	4408040089	PARA: 45837, 45838, 45839, 45840
4	4408041021	PARA: 35253, 35254, 35259, 35260, 45837, 45838
4	4408041609	PARA: 35255, 35256, 35261, 35262, 45839, 45840
5	4408041410	PARA: 35253, 35259, 45837
5	4408041534	PARA: 35254, 35255, 35256, 35260, 35261, 35262, 45838, 45839, 45840
6	4408040077	PARA: 35253, 35259, 45837
6	4408040078	PARA: 35254, 35255, 35260, 35261, 45838, 45839
6	4408040079	PARA: 35256, 35262, 45840
7	4408041517	PARA: 35253, 35259, 45837
7	4408041518	PARA: 35254, 35255, 35260, 35261, 45838, 45839
7	4408041519	PARA: 35256, 35262, 45840
8	4408041527	PARA: 35253, 35259, 45837
8	4408041528	PARA: 35254, 35260, 45838
8	4408041529	PARA: 35255, 35261, 45839
8	4408041530	PARA: 35256, 35262, 45840
9	4408041531	PARA: 35253, 35259, 45837
9	4408041532	PARA: 35254, 35255, 35260, 35261, 45838, 45839
9	4408041533	PARA: 35256, 35262, 45840
10	4408041310	PARA: 35259, 35260, 35261, 35262, 45837, 45838, 45839, 45840
11	4408041537	PARA: 45837, 45838, 45839, 45840
12	4408041538	PARA: 45837, 45838, 45839, 45840
13	4408041541	PARA: 45837, 45838, 45839, 45840
14	60636	PARA: 35253, 35259, 45837
14	60676	PARA: 35254, 35260, 45838
14	60677	PARA: 35255, 35261, 45839
14	60678	PARA: 35256, 35262, 45840
15	60645	PARA: 45837, 45838, 45839, 45840
16	60648	PARA: 35259, 35260, 35261, 35262, 45837, 45838, 45839, 45840
17	60649	PARA: 35259, 35260, 35261, 35262
18	60646	PARA: 45837, 45838, 45839, 45840
19	60632	PARA: 35259, 35260, 35261, 35262, 45837, 45838, 45839, 45840
20	60618	PARA: 35259, 35260, 35261, 35262, 45837, 45838, 45839, 45840
21	60633	PARA: 35259, 35260, 35261, 35262
22	60647	PARA: 45837, 45838, 45839, 45840

**CODIGO**                    **35253, 35254, 35255, 35256, 35259, 35260, 35261, 35262, 45837, 45838,  
45839, 45840**

**DESCRIÇÃO: ELECTRÓLISE DE SAL E CONTROLO PH D-65/D-300 EX/PLUS**

**POST. A 04/2013**