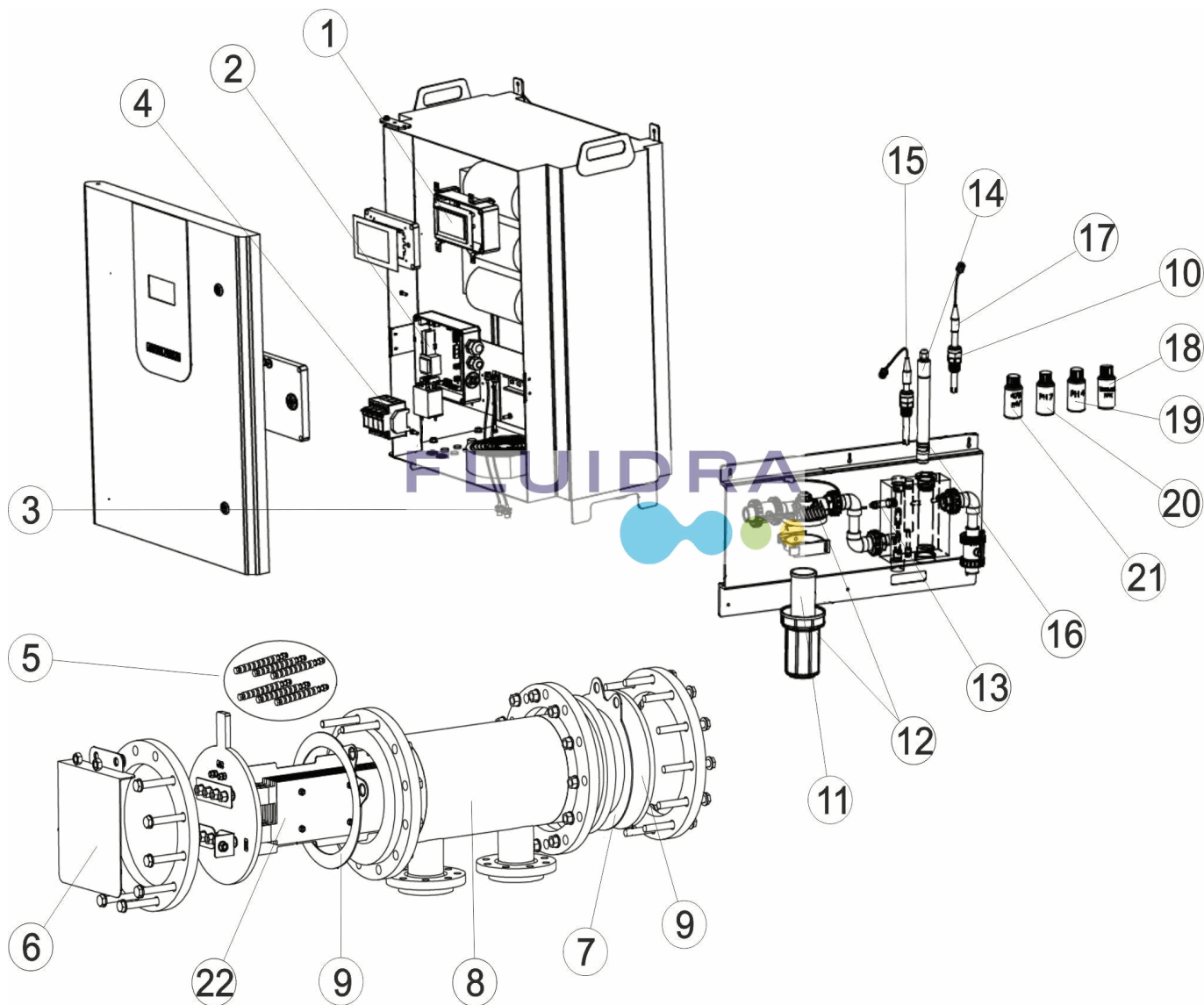


CODIGO 35257, 35263, 45841

DESCRIPCION: ELECTROLISIS DE SAL Y CONTROL PH D-500/600 EX/PLUS

POSTERIOR A 04/2013



ESPAÑOL

POS	CODIGO	DESCRIPCION	POS	CODIGO	DESCRIPCION
1	* 4408040148	TARGETA VISUALIZADORA TACTIL DV1 EX	11	* 4408041537	FILTRO CARTUCHO LAVABLE
1	* 4408040149	TARGETA VISUALIZADORA TACTIL DV1 EX2	12	* 4408041538	CARTUCHO 80 MICRAS
2	* 4408040142	PLACA CONTROL D600 V1	13	* 4408041541	SENSOR INDUCTIVO DE CAUDAL
2	* 4408040147	PLACA CONTROL D600+ V1	14	* 60645	SENSOR CLORO LIBRE
3	* 4408040089	LATIGUILLO BNC EXT-2 BNC A PVA 24V	15	* 60648	ELECTRODO COMBINADO PH
4	4408041609	FILTRO 380V A-150/A-250/A-600 EX/PLUS	16	* 60647	CABEZAL MEMBRANA SENSOR CLORO LIBRE
5	4408041534	CJTO. TORNILLOS ANCLAJE ELECTRODOS D-100/30	17	* 60649	ELECTRODO ORP
6	4408040079	PROTECTOR CONTACTOS D-300/600	18	* 60646	ELECTROLITO ECC1/GEL SONDA CL
7	4408041519	JUNTA BRIDA CELULA D-250/600EX/+	19	* 60632	TAMPON PH 7.0 50 M/L. (ROJO)
8	4408041530	CELULA PORTA ELECTRODOS D-250/300EX/+	20	* 60618	TAMPON PH 7.0 50 M/L. (VERDE)
9	4408041533	DISCO METACRILATO D.320/15 MM. D-250/600EX/+	21	* 60633	SOLUCION CALIBRACION 470MV.
10	* 4408041310	RACOR INSERCIÓN SONDA 12M/M.-1/2"	22	* 60679	ELECTRODO AUTO-LIMPIANTE D-500/600 EX/+

CODIGO 35257, 35263, 45841

DESCRIPCION: ELECTROLISIS DE SAL Y CONTROL PH D-500/600 EX/PLUS

POSTERIOR A 04/2013

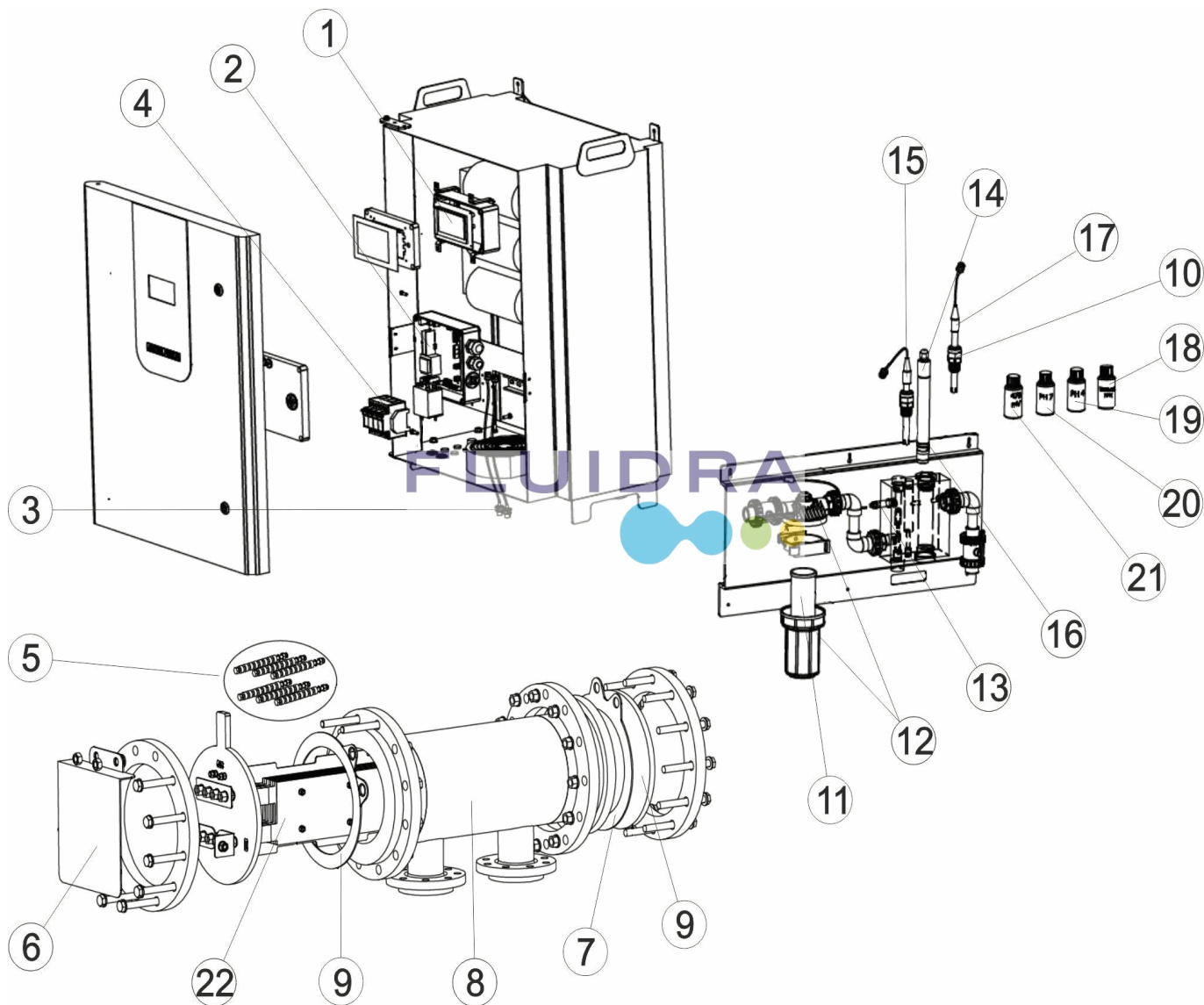
OBSERVACIONES

POS	CODIGO	OBSERVACIONES
1	4408040148	PARA: 35257, 35263
1	4408040149	PARA: 45841
2	4408040142	PARA: 35257
2	4408040147	PARA: 35263, 45841
3	4408040089	PARA: 45841
10	4408041310	PARA: 35263, 45841
11	4408041537	PARA: 45841
12	4408041538	PARA: 45841
13	4408041541	PARA: 45841
14	60645	PARA: 45841
15	60648	PARA: 35263, 45841
16	60647	PARA: 45841
17	60649	PARA: 35263
18	60646	PARA: 45841
19	60632	PARA: 35263, 45841
20	60618	PARA: 35263, 45841
21	60633	PARA: 35263
22	60679	PARA: 35263, 45841

CODE 35257, 35263, 45841

DESCRIPTION: ÉLECTROLYSE AU SEL ET CONTRÔLE PH D-500/600 EX/PLUS

POSTÉRIEUR À 04/2013



FRANCAIS

POS	CODE	DESCRIPTION	POS	CODE	DESCRIPTION
1	* 4408040148	CARTE AFFICHEUR ÉLECTROLYSE DV1 EX	11	* 4408041537	FILTRE CARTOUCHE LAVABLE
1	* 4408040149	CARTE AFFICHEUR ÉLECTROLYSE DV1 EX2	12	* 4408041538	CARTOUCHE 80 MICRONS
2	* 4408040142	PLAQUE CONTRÔLE D600 V1	13	* 4408041541	SONDE DE DÉBIT INDUCTIVE
2	* 4408040147	PLAQUE CONTRÔLE D600+ V1	14	* 60645	SONDE DE CHLORE LIBRE
3	* 4408040089	CÂBLE BNC EXT-2 BNC A PVA 24V	15	* 60648	ELECTRODE COMBINÉE PH
4	4408041609	FILTRE 380V A-150/A-250/A-600 EX/PLUS	16	* 60647	CAPSULE MEMBRANE POUR SONDE CHLORE LIBRE
5	4408041534	KIT DE VIS POUR FIXATION D'ÉLECTRODES D-100/300 EX/PLUS	17	* 60649	ELECTRODE ORP
6	4408040079	PROTECTEUR CONTACTS D-80 EX	18	* 60646	ELECTROLYTE
7	4408041519	JOINT CELLULE D-250/D-600EX/+	19	* 60632	TAMPON PH 7,0 50 M/L. ROUGE
8	4408041530	CELLULE PORTE-ÉLECTRODE D-250/300 EX/+	20	* 60618	TAMPON PH 7,0 50 M/L. VERT
9	4408041533	DISQUE EN METACRYLATE D.320/15 MM. D-250/600E	21	* 60633	SOLUTION CALIBRAGE 470 MV
10	* 4408041310	CONNECTEUR 12MM. - 1/2"	22	* 60679	ELECTRODE AUTO-NETTOYANTE D-250/300 EX/+

CODE **35257, 35263, 45841**

DESCRIPTION: **ÉLECTROLYSE AU SEL ET CONTRÔLE PH D-500/600 EX/PLUS**

POSTÉRIEUR À 04/2013

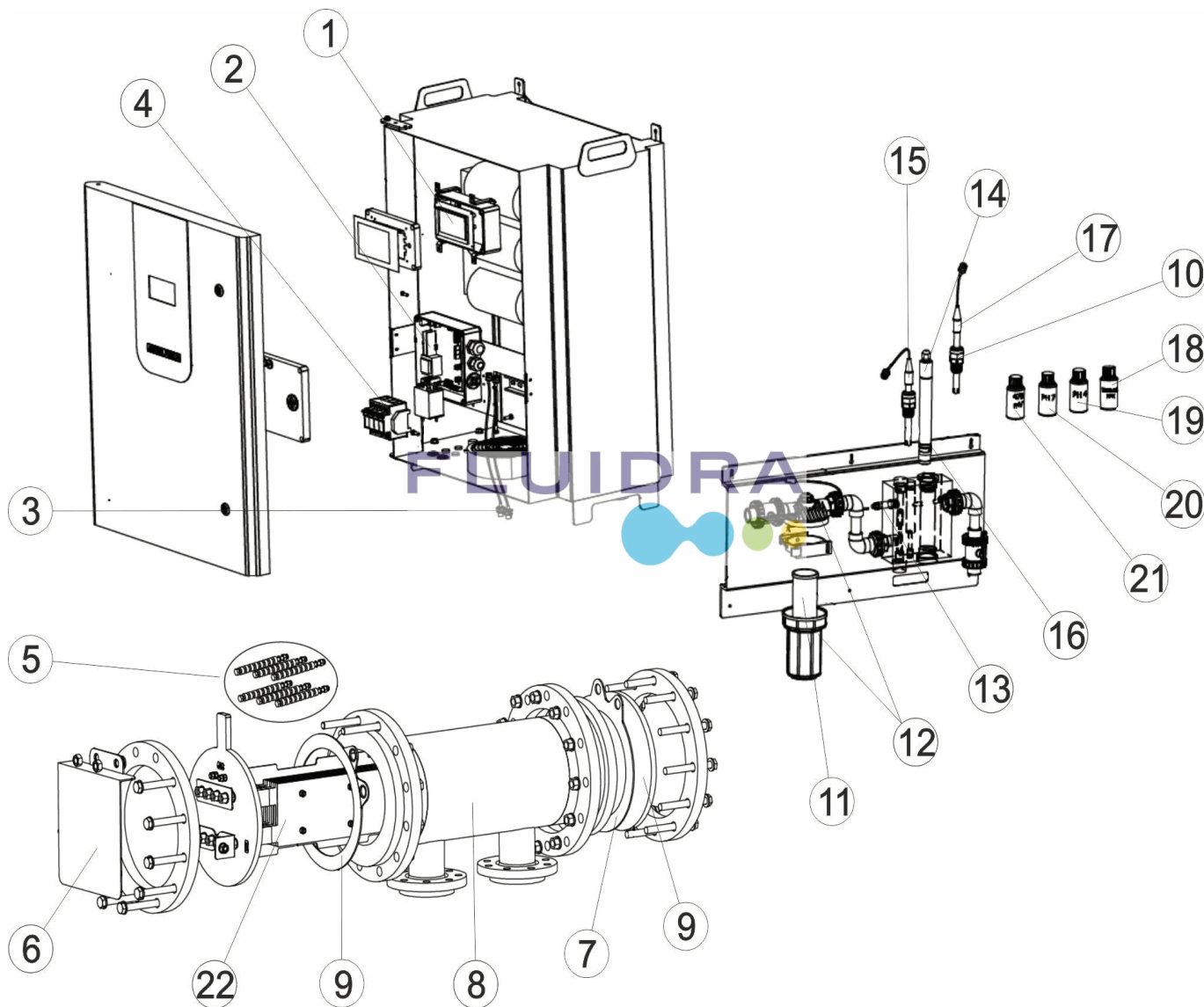
OBSERVATIONS

POS	CODE	OBSERVATIONS
1	4408040148	POUR: 35257, 35263
1	4408040149	POUR: 45841
2	4408040142	POUR: 35257
2	4408040147	POUR: 35263, 45841
3	4408040089	POUR: 45841
10	4408041310	POUR: 35263, 45841
11	4408041537	POUR: 45841
12	4408041538	POUR: 45841
13	4408041541	POUR: 45841
14	60645	POUR: 45841
15	60648	POUR: 35263, 45841
16	60647	POUR: 45841
17	60649	POUR: 35263
18	60646	POUR: 45841
19	60632	POUR: 35263, 45841
20	60618	POUR: 35263, 45841
21	60633	POUR: 35263
22	60679	POUR: 35263, 45841

CODE **35257, 35263, 45841**

DESCRIPTION: **SALT ELECTROLYSIS AND PH CONTROL D-500/600 EX/PLUS**

AFTER 04/2013



ENGLISH

POS	CODE	DESCRIPTION	POS	CODE	DESCRIPTION
1	* 4408040148	DV1 EX ELECTROLYSIS VIEWER CARD	11	* 4408041537	WASHABLE CARTRIDGE FILTER
1	* 4408040149	DV1 EX2 ELECTROLYSIS VIEWER CARD	12	* 4408041538	80 MICRONS CARTRIDGE
2	* 4408040142	ELECTRONIC CARD D600 V1	13	* 4408041541	INDUCTIVE FLOW SENSOR
2	* 4408040147	ELECTRONIC CARD D600+ V1	14	* 60645	FREE CHLORINE SENSOR
3	* 4408040089	EXT-2 BNC A PVA 24V CABLE	15	* 60648	ELECTRODE PH
4	4408041609	FILTER 380V A-150/A-250/A-600 EX/PLUS	16	* 60647	MEMBRANE CAP FOR FREE CHLORINE SENSOR
5	4408041534	SCREW KIT FOR ELECTRODE FIXATION D-100/300	17	* 60649	ORP ELECTRODE
6	4408040079	CONTAC PROTECTION D-80 EX	18	* 60646	ELECTROLITE
7	4408041519	CELL GASKET D-250/D-600EX/+	19	* 60632	CALIBRATION SOLUTION PH 7.0 (RED)
8	4408041530	ELECTRODE CELL D-250/300 EX/+	20	* 60618	CALIBRATION SOLUTION PH 7.0 50 ML.(GREEN)
9	4408041533	METHACRYLATE DISK D.320/15 MM. D-250/600EX/+	21	* 60633	CALIBRATION SOLUTION ORP 470 MV
10	* 4408041310	CONNECTOR 12M/M. - 1/2"	22	* 60679	SELF-CLEANING D-250/300 EX/+

CODE **35257, 35263, 45841**

DESCRIPTION: **SALT ELECTROLYSIS AND PH CONTROL D-500/600 EX/PLUS**

AFTER 04/2013

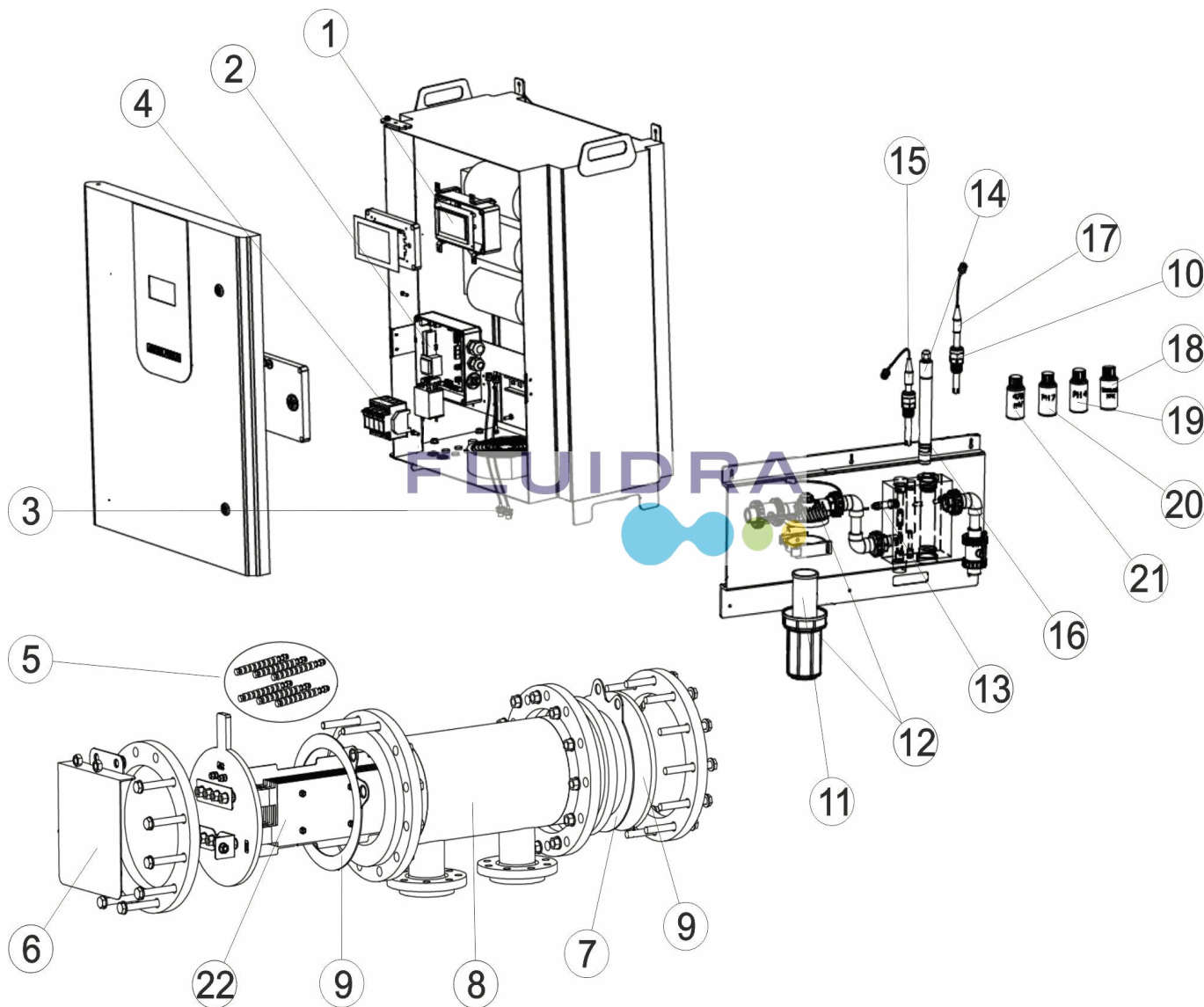
OBSERVATIONS

POS	CODE	OBSERVATIONS
1	4408040148	FOR: 35257, 35263
1	4408040149	FOR: 45841
2	4408040142	FOR: 35257
2	4408040147	FOR: 35263, 45841
3	4408040089	FOR: 45841
10	4408041310	FOR: 35263, 45841
11	4408041537	FOR: 45841
12	4408041538	FOR: 45841
13	4408041541	FOR: 45841
14	60645	FOR: 45841
15	60648	FOR: 35263, 45841
16	60647	FOR: 45841
17	60649	FOR: 35263
18	60646	FOR: 45841
19	60632	FOR: 35263, 45841
20	60618	FOR: 35263, 45841
21	60633	FOR: 35263
22	60679	FOR: 35263, 45841

CODICE 35257, 35263, 45841

DESCRIZIONE: ELETTROLISI DA SALE E CONTROLLO PH D-500/600 EX/PLUS

DOPO IL 04/2013



ITALIANO

POS	CODICE	DESCRIZIONE	POS	CODICE	DESCRIZIONE
1	* 4408040148	SCHEDA VISORE ELETTROLISI DV1 EX	11	* 4408041537	FILTRO CARTUCCIA LAVABILE
1	* 4408040149	SCHEDA VISORE ELETTROLISI DV1 EX2	12	* 4408041538	CARTUCCIA 80 MICRON
2	* 4408040142	SCHEDA D600 V1	13	* 4408041541	SONDA DI FLUSSO INDUTTIVA
2	* 4408040147	SCHEDA D600+ V1	14	* 60645	SONDA DI CLORO LIBERO
3	* 4408040089	CAVO BNC EXT-2 BNC A PVA 24V	15	* 60648	ELETTRODO COMBINATO PH
4	4408041609	FILTRE 380V A-150/A-250/A-600 EX/PLUS	16	* 60647	TAPPO MEMBRANA PER Sonda CLORO LIBERO
5	4408041534	KIT DI VITI PER FISSAGGIO DELL'ELETTRODO D-100,	17	* 60649	ELETTRODO RX
6	4408040079	PROTECTORE CONTATTI D-80 EX	18	* 60646	ELETTROLITO
7	4408041519	GIUNTA CELLULA D-250/D-600EX/+	19	* 60632	SOLUZIONE TAMPONE PH 7,0 50 ML. ROSSO
8	4408041530	CELLA PORTAELETTRODI D-250/300 EX/+	20	* 60618	SOLUZIONE TAMPONE PH 7,0 50 ML. VERDE
9	4408041533	DISC METACRILATO D.267/15 MM. D-250/600EX/+	21	* 60633	SOLUZIONE CALIBRAZIONE 470MV.
10	* 4408041310	CONNETTORE 12M/M. - 1/2"	22	* 60679	ELETTRODO AUTOPULENTI D-250/300 EX/+

CODICE 35257, 35263, 45841

DESCRIZIONE: ELETTROLISI DA SALE E CONTROLLO PH D-500/600 EX/PLUS

DOPO IL 04/2013

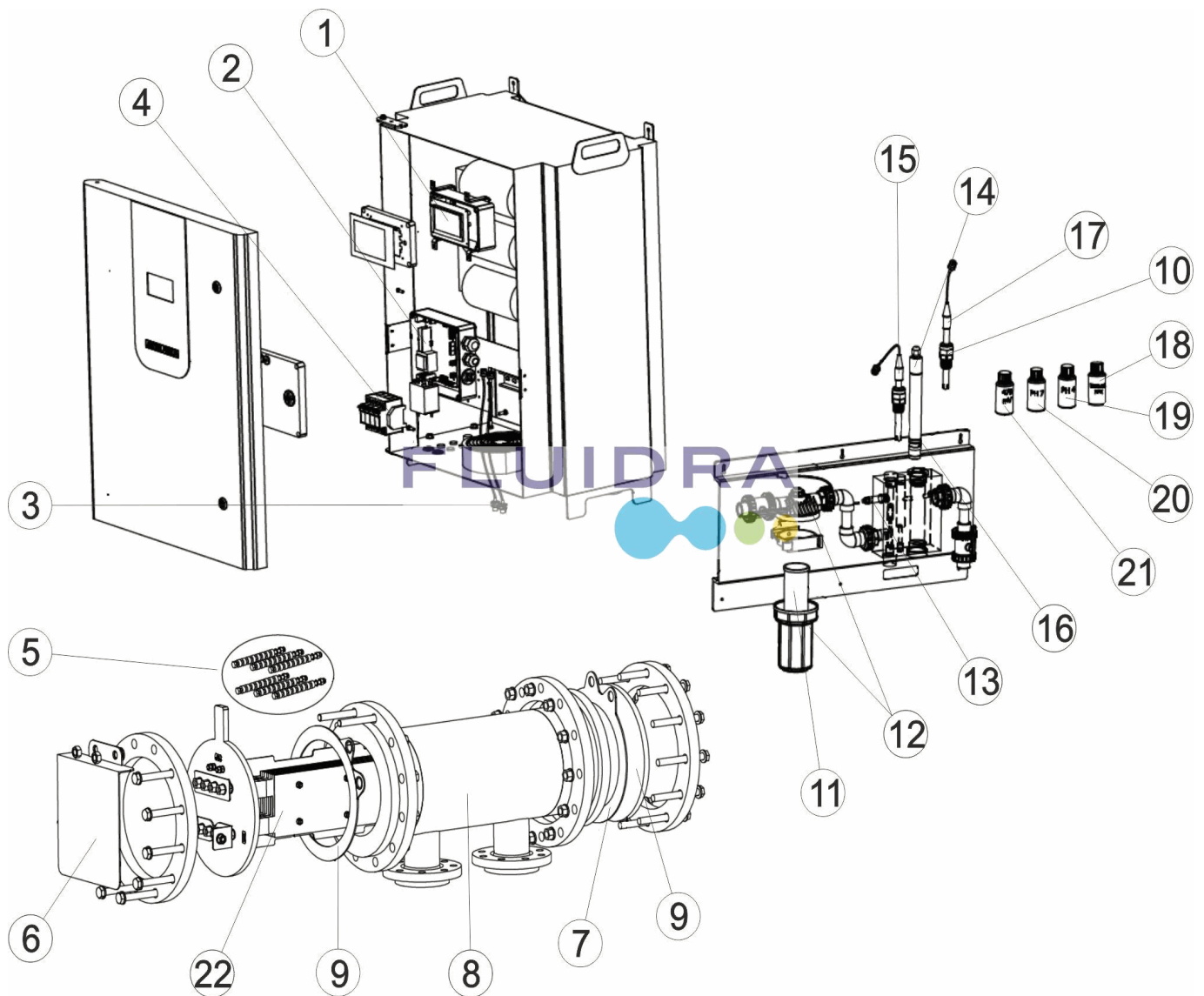
OSSERVAZIONI

POS	CODICE	OSSERVAZIONI
1	4408040148	PER: 35257, 35263
1	4408040149	PER: 45841
2	4408040142	PER: 35257
2	4408040147	PER: 35263, 45841
3	4408040089	PER: 45841
10	4408041310	PER: 35263, 45841
11	4408041537	PER: 45841
12	4408041538	PER: 45841
13	4408041541	PER: 45841
14	60645	PER: 45841
15	60648	PER: 35263, 45841
16	60647	PER: 45841
17	60649	PER: 35263
18	60646	PER: 45841
19	60632	PER: 35263, 45841
20	60618	PER: 35263, 45841
21	60633	PER: 35263
22	60679	PER: 35263, 45841

CODE **35257, 35263, 45841**

BESCHREIBUNG: **SALZ-ELEKTROLYSE UND PH-KONTROLLE PH D-500/600 EX/PLUS**

NACH 04/2013



DEUTSCH

POS	CODE	BESCHREIBUNG	POS	CODE	BESCHREIBUNG
1	* 4408040148	ANZEIGEKARTE ELEKTROLYSE DV1 EX	11	* 4408041537	WASCHBAER PATRONENFILTER
1	* 4408040149	ANZEIGEKARTE ELEKTROLYSE DV1 EX2	12	* 4408041538	80-MIKRON PATRONE
2	* 4408040142	SCHALTKARTE D600 V1	13	* 4408041541	INDUKTIVER STRÖMUNGSMESSWERTGEBER
2	* 4408040147	SCHALTKARTE D600+ V1	14	* 60645	FREIER CHLOR-SENSOR
3	* 4408040089	KABEL BNC EXT-2 BNC A PVA 24V	15	* 60648	ELEKTRODE PH
4	4408041609	FILTER 380V A-150/A-250/A-600 EX/PLUS	16	* 60647	MEMBRANEN-KAPPE FÜR FREIEN CHLOR-SENSOR
5	4408041534	SCHRAUBENSATZ FÜR ELEKTRODEN FIXATION D-1(17	* 60649	ORP ELEKTRODE
6	4408040079	KONTAKTSCHUTZ D-80 EX	18	* 60646	ELEKTROLYT
7	4408041519	ZELLENDICHTUNG D-250/600EX/+	19	* 60632	KALIBRIERUNGSLÖSUNG PH 7.0 (GRÜN)
8	4408041530	ELECTRDENZELLE D-250/300 EX/+	20	* 60618	KALIBRIERUNGSLÖSUNG PH 7.0 50 M/L. (ROT)
9	4408041533	METHACRYLAT-SCHEIBE D.320/15 MM. D-250/600EX/	21	* 60633	KALIBRIERUNGSLÖSUNG ORP 470 MV
10	* 4408041310	VERBINDUNGSSTÜCK 12M/M. - 1/2"	22	* 60679	SELBSTREINIGENDER ELEKTRODE D-250/300 EX

CODE **35257, 35263, 45841**

BESCHREIBUNG: **SALZ-ELEKTROLYSE UND PH-KONTROLLE PH D-500/600 EX/PLUS**

NACH 04/2013

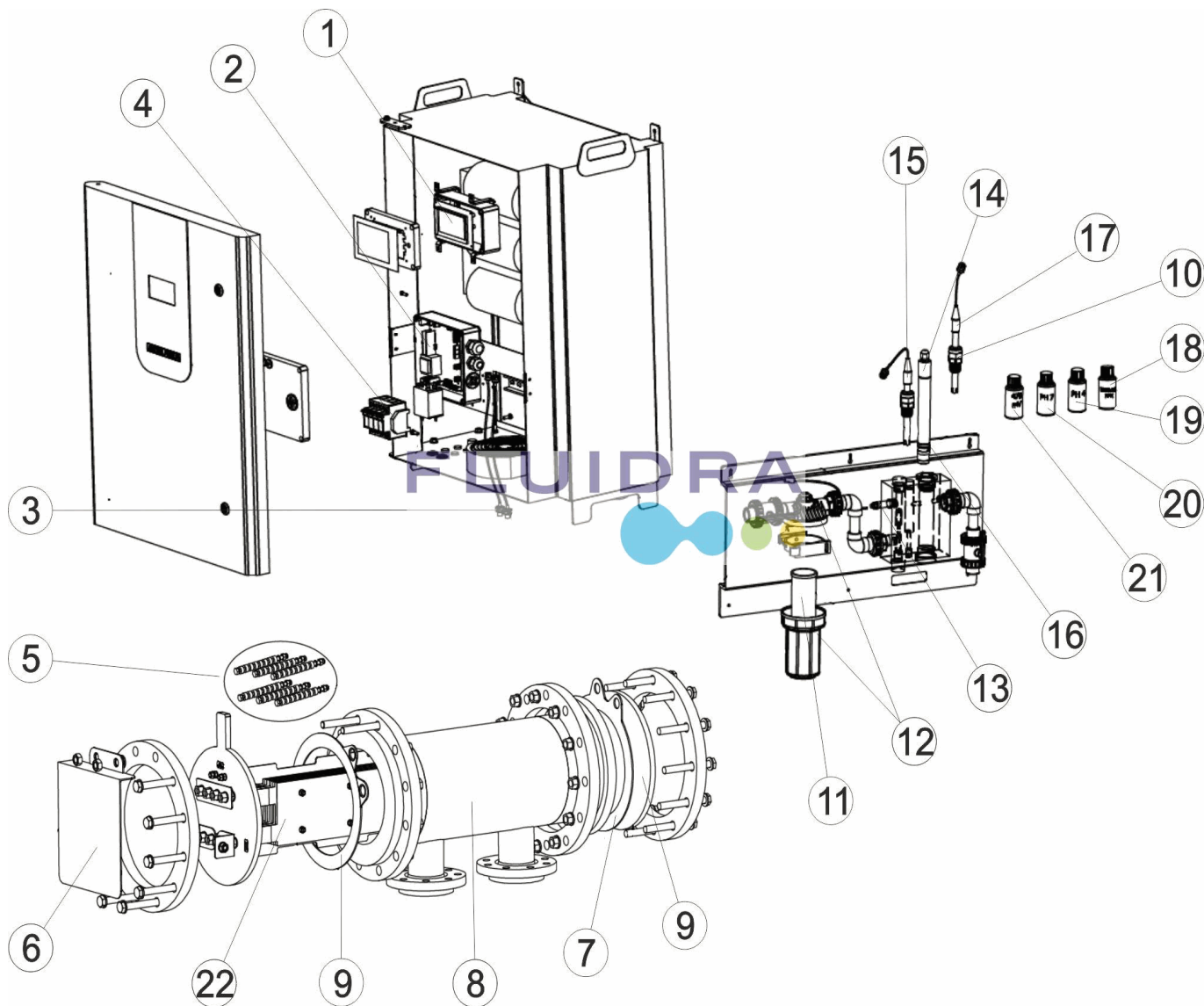
HINWEISE

POS	CODE	HINWEISE
1	4408040148	FÜR: 35257, 35263
1	4408040149	FÜR: 45841
2	4408040142	FÜR: 35257
2	4408040147	FÜR: 35263, 45841
3	4408040089	FÜR: 45841
10	4408041310	FÜR: 35263, 45841
11	4408041537	FÜR: 45841
12	4408041538	FÜR: 45841
13	4408041541	FÜR: 45841
14	60645	FÜR: 45841
15	60648	FÜR: 35263, 45841
16	60647	FÜR: 45841
17	60649	FÜR: 35263
18	60646	FÜR: 45841
19	60632	FÜR: 35263, 45841
20	60618	FÜR: 35263, 45841
21	60633	FÜR: 35263
22	60679	FÜR: 35263, 45841

CODIGO 35257, 35263, 45841

DESCRIÇÃO: ELECTRÓLISE DE SAL E CONTROLO PH D-500/600 EX/PLUS

POST. A 04/2013



PORTUGUES

POS	CODIGO	DESCRIÇÃO	POS	CODIGO	DESCRIÇÃO
1	* 4408040148	PLACA VISUALIZAÇÃO ELECTRÓLISE DV1 EX	11	* 4408041537	FILTRO CARTUCHO LAVÁVEL
1	* 4408040149	PLACA VISUALIZAÇÃO ELECTRÓLISE DV1 EX2	12	* 4408041538	CARTUCHO 80 MÍCRONS
2	* 4408040142	PLACA CONTROLO D600 V1	13	* 4408041541	SONDA DE CAUDAL INDUTIVA
2	* 4408040147	PLACA CONTROLO D600+ V1	14	* 60645	SONDA DE CLORO LIVRE
3	* 4408040089	CABO BNC EXT-2 BNC A PVA 24V	15	* 60648	ELECTRODO COMBINADO PH
4	4408041609	FILTRO 380V A-150/A-250/A-600 EX/PLUS	16	* 60647	CÁPSULA MEMBRANA PARA SONDA CLORO LIVRE
5	4408041534	CJTO.PARAFUSOS DE FIXAÇÃO DE ELECTRODOS 10	17	* 60649	ELECTRODO ORP
6	4408040079	PROTECTOR CONTACTOS D-80 EX	18	* 60646	ELECTROLITO
7	4408041519	JUNTA CELULA D-250/D-600EX/+	19	* 60632	SOLUÇÃO TAMPÃO PH 7.0
8	4408041530	VASO PORTA-ELECTRODOS D-250/300 EX/+	20	* 60618	SOLUÇÃO TAMPÃO PH 7.0 50 M/L.
9	4408041533	DISCO METACRILATO D.320/15 MM. D-250/600EX/+	21	* 60633	SOLUÇÃO TAMPÃO 470 MV
10	* 4408041310	CONECTOR 12M/M. - 1/2"	22	* 60679	ELECTRODO AUTO-LIMPANT. D-250 EX/+

CODIGO 35257, 35263, 45841

DESCRIÇÃO: ELECTRÓLISE DE SAL E CONTROLO PH D-500/600 EX/PLUS

POST. A 04/2013

OBSERVAÇÕES

POS	CODIGO	OBSERVAÇÕES
1	4408040148	PARA: 35257, 35263
1	4408040149	PARA: 45841
2	4408040142	PARA: 35257
2	4408040147	PARA: 35263, 45841
3	4408040089	PARA: 45841
10	4408041310	PARA: 35263, 45841
11	4408041537	PARA: 45841
12	4408041538	PARA: 45841
13	4408041541	PARA: 45841
14	60645	PARA: 45841
15	60648	PARA: 35263, 45841
16	60647	PARA: 45841
17	60649	PARA: 35263
18	60646	PARA: 45841
19	60632	PARA: 35263, 45841
20	60618	PARA: 35263, 45841
21	60633	PARA: 35263
22	60679	PARA: 35263, 45841