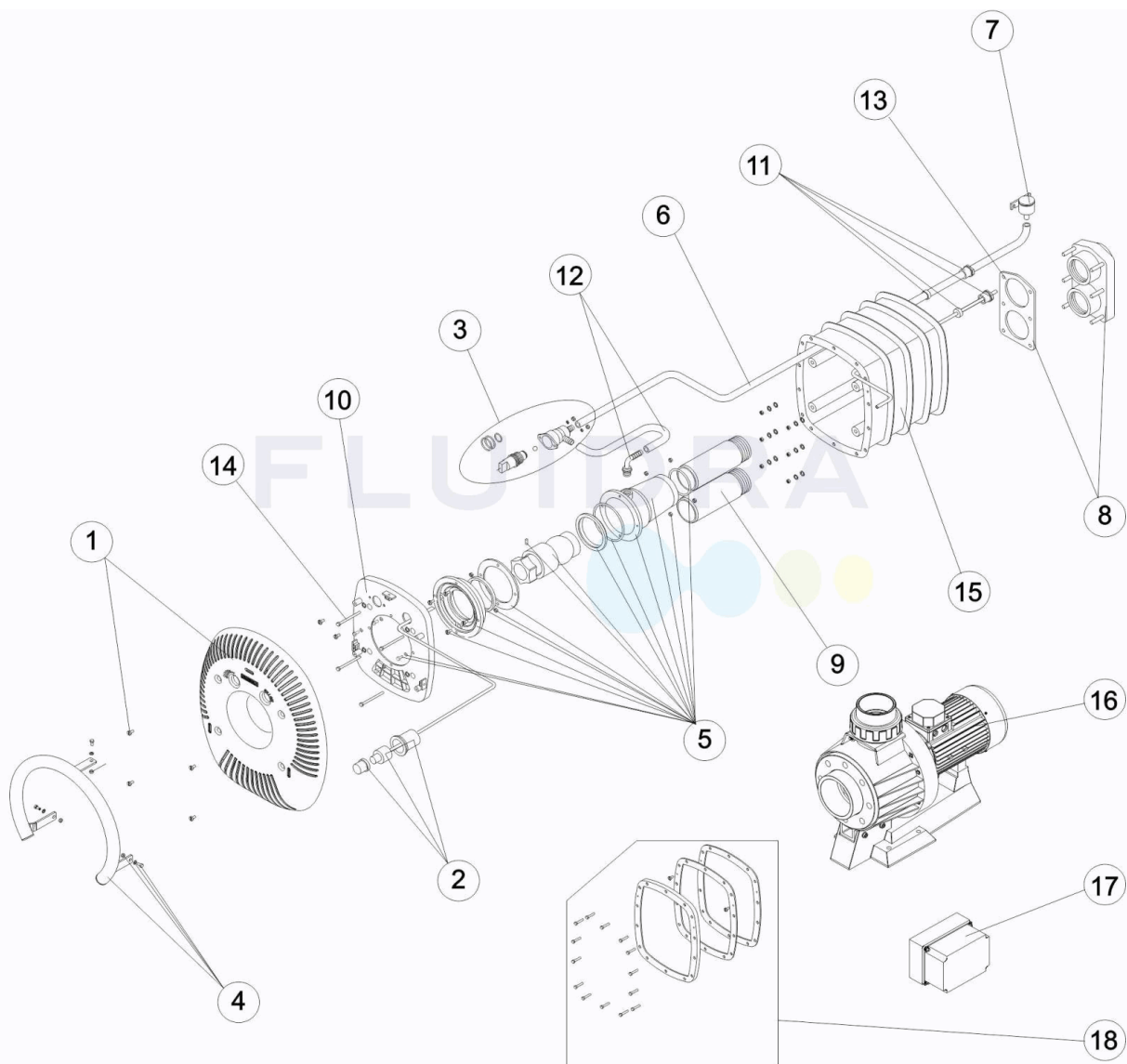


CODIGO **35375, 35376, 35377, 37214**

DESCRIPCION: **EQUIPO NATACION CONTRACORRIENTE**



ESPAÑOL

POS	CODIGO	DESCRIPCION	POS	CODIGO	DESCRIPCION
1	4402050601	CARATULA ECC. ECO.	12	4402050121	CONDUCTO ASPIRACION VENTURI L-300 M/M.
2	4402050119	PULSADOR COMPLETO	13	4402050108	JUNTA TAPA E.C.C.
3	4402050603	VALVULA REGULACION	14	4402050134	TORNILLERIA PLACA FIJACION PLASTICO
4	4402050604	AGARRADERA	15	11502R0100	CAJA ALOJAMIENTO PLASTICO
5	4402050605	BOQUILLA COMPLETA	16	* 28568	BOMBA 3 HP II
6	4401070015	CONDUCTO ASPIRACION 1,5 M.	16	* 30774	BOMBA 3 HP III
7	4402050109	VALVULA ASPIRACION AIRE	16	* 11509	BOMBA 4,5 HP III
8	4402050107	BRIDA CONEXIÓN CON JUNTA	17	* 25456	ARMARIO ELECTRICO 3 HP II
9	4402050118	TUBO ASPIRACION / IMPULSION	17	* 32151	ARMARIO ELECTRICO 3 HP III
10	4402050126	PLACA FIJACION PLASTICO	17	* 11510	ARMARIO ELECTRICO 4,5 HP III
11	4402050110	PRENSAESTOPAS E.C.C.	18	11503	ACCESORIOS MONTAJE LINER

CODIGO 35375, 35376, 35377, 37214

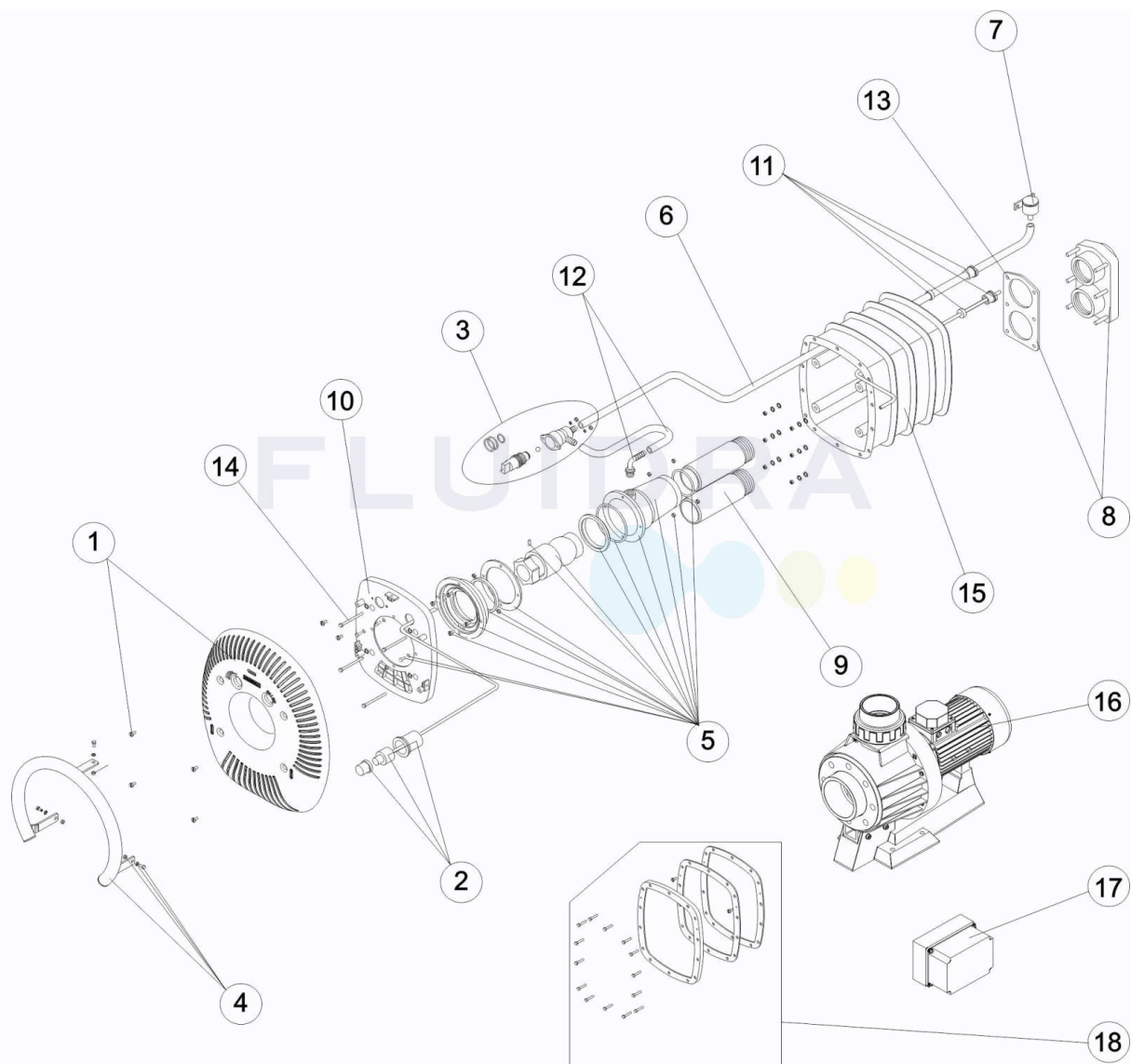
DESCRIPCION: EQUIPO NATACION CONTRACORRIENTE

OBSERVACIONES

POS	CODIGO	OBSERVACIONES
16	11509	PARA: 35377
16	28568	PARA: 35375
16	30774	PARA: 35376
17	11510	PARA: 35377
17	25456	PARA: 35375
17	32151	PARA: 35376

CODE 35375, 35376, 35377, 37214

DESCRIPTION: ÉQUIPEMENT NAGE CONTRE-COURANT



FRANCAIS

POS	CODE	DESCRIPTION	POS	CODE	DESCRIPTION
1	4402050601	COUVERCLE ECC. ECO.	12	4402050121	TUYAU D'ASPIRATION ET VENTURI L-300 M/M.
2	4402050119	BOUTON POUSSOIR	13	4402050108	JOINT DE CONNEXION
3	4402050603	BOUTON DE REGLAGE D'AIR	14	4402050134	VIS DE FIXATION
4	4402050604	MAIN COURANTE	15	11502R0100	BLOC D'ENCASTREMENT
5	4402050605	ENSEMBLE REFOULEMENT	16	* 28568	POMPES 3 HP II
6	4401070015	CONDUIT ASPIRATION 1,5 M.	16	* 30774	POMPES 3 HP III
7	4402050109	VALVE ASPIRATION D'AIR	16	* 11509	POMPES 4,5 HP III
8	4402050107	BRIDE DE CONNEXION AVEC JOINT	17	* 25456	COFFRETS DE COMANDE 3 HP II
9	4402050118	MANCHETTE ASPIRATION / REFOULEMENT	17	* 32151	COFFRETS DE COMANDE 3 HP III
10	4402050126	PLAQUE DE FIXATION ABS	17	* 11510	COFFRETS DE COMANDE 4,5 HP III
11	4402050110	PRESSE ETOUPE	18	11503	KIT POR MONTAGE PISCINES LINER ET POLYESTER

CODE **35375, 35376, 35377, 37214**

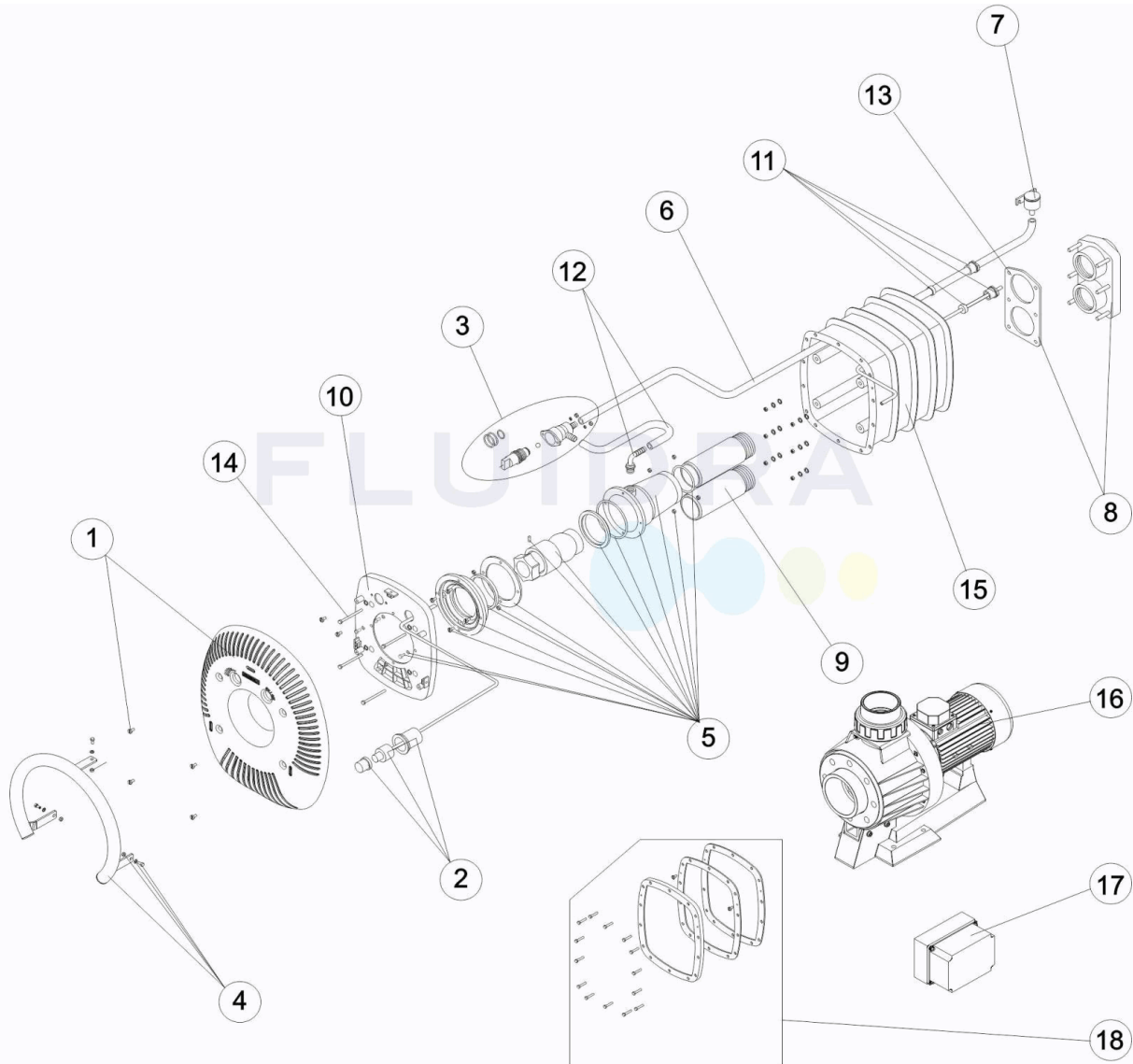
DESCRIPTION: **ÉQUIPEMENT NAGE CONTRE-COURANT**

OBSERVATIONS

POS	CODE	OBSERVATIONS
16	11509	POUR: 35377
16	28568	POUR: 35375
16	30774	POUR: 35376
17	11510	POUR: 35377
17	25456	POUR: 35375
17	32151	POUR: 35376

CODE **35375, 35376, 35377, 37214**

DESCRIPTION: **COUNTER-CURRENT SWIMMING EQUIPMENT**



ENGLISH

POS	CODE	DESCRIPTION	POS	CODE	DESCRIPTION
1	4402050601	COVER ECC. ECO	12	4402050121	VENTURI SUCTION CONDUIT L-300 M/M.
2	4402050119	COMPLETE SWITCH	13	4402050108	CCU GASKET COVER
3	4402050603	CUU REGULATOR VALVE	14	4402050134	PLASTIC FIXING PLATE SCREWS
4	4402050604	GRABRAIL	15	11502R0100	HOUSING CASC
5	4402050605	CUU COMPLETE INLET	16	* 28568	PUMP 3 HP II
6	4401070015	SUCTION GUIDE 1,5 M.	16	* 30774	PUMP 3 HP III
7	4402050109	AIR SUCTION VALVE	16	* 11509	PUMP 4,5 HP III
8	4402050107	FLANGE CONNECTION WITH GASKET	17	* 25456	ELECTRIC BOX 3 HP II
9	4402050118	SUCTION / RETURN TUBE	17	* 32151	ELECTRIC BOX 3 HP III
10	4402050126	PLASTIC FIXING PLATE	17	* 11510	ELECTRIC BOX 4,5 HP III
11	4402050110	CCU CABLE GLAND	18	11503	LINER ASSY. ACCESORY

CODE **35375, 35376, 35377, 37214**

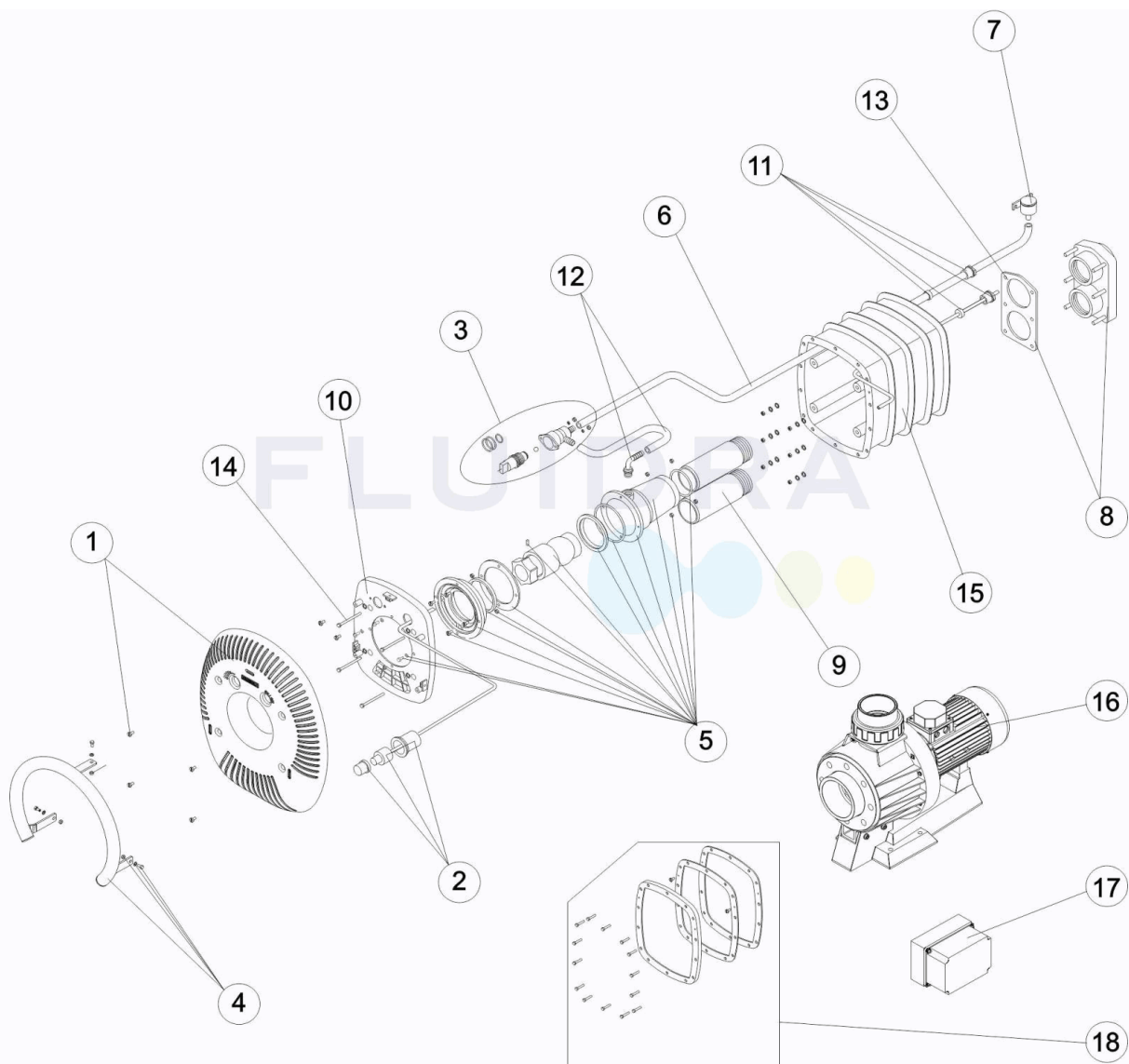
DESCRIPTION: **COUNTER-CURRENT SWIMMING EQUIPMENT**

OBSERVATIONS

POS	CODE	OBSERVATIONS
16	11509	FOR: 35377
16	28568	FOR: 35375
16	30774	FOR: 35376
17	11510	FOR: 35377
17	25456	FOR: 35375
17	32151	FOR: 35376

CODICE 35375, 35376, 35377, 37214

DESCRIZIONE: ATTREZZATURA NUOTO CONTROCORRENTE



ITALIANO

POS	CODICE	DESCRIZIONE	POS	CODICE	DESCRIZIONE
1	4402050601	COPERCHIO ECC. ECO.	12	4402050121	CONDOTTO DI ASPIRAZIONE VENTURI L-300 M/M.
2	4402050119	PULSANTE COMPLETO	13	4402050108	GUANIZIONE PER COPERCHIO N.C.C.
3	4402050603	VALVOLA DI REGOLAZIONE N.C.C.	14	4402050134	BULLONERIA PER PIASTRA DI FISSAGGIO IN PLAS
4	4402050604	CORRIMANO	15	11502R0100	CUSTODIA ALLOGGIAMENTO
5	4402050605	BOCCHETTA COMPLETA N.C.C.	16	* 28568	POMPE 3 HP II
6	4401070015	CONDOTTO ASPIRAZIONE 1,5 M.	16	* 30774	POMPE 3 HP III
7	4402050109	VALVOLA DI ASPIRAZIONE ARIA	16	* 11509	POMPE 4,5 HP III
8	4402050107	FLANGIA FISSAGGIO CON GUARNIZIONE	17	* 25456	QUADRI ELETTRICI 3 HP II
9	4402050118	TUBO DI ASPIRAZIONE / MANDATA	17	* 32151	QUADRI ELETTRICI 3 HP III
10	4402050126	PIASTRA DI FISSAGGIO IN PLASTICA	17	* 11510	QUADRI ELETTRICI 4,5 HP III
11	4402050110	PRESSACAVO N.C.C.	18	11503	KIT DI MONTAGGIO PER PISCINE LINER E POLIES

CODICE **35375, 35376, 35377, 37214**

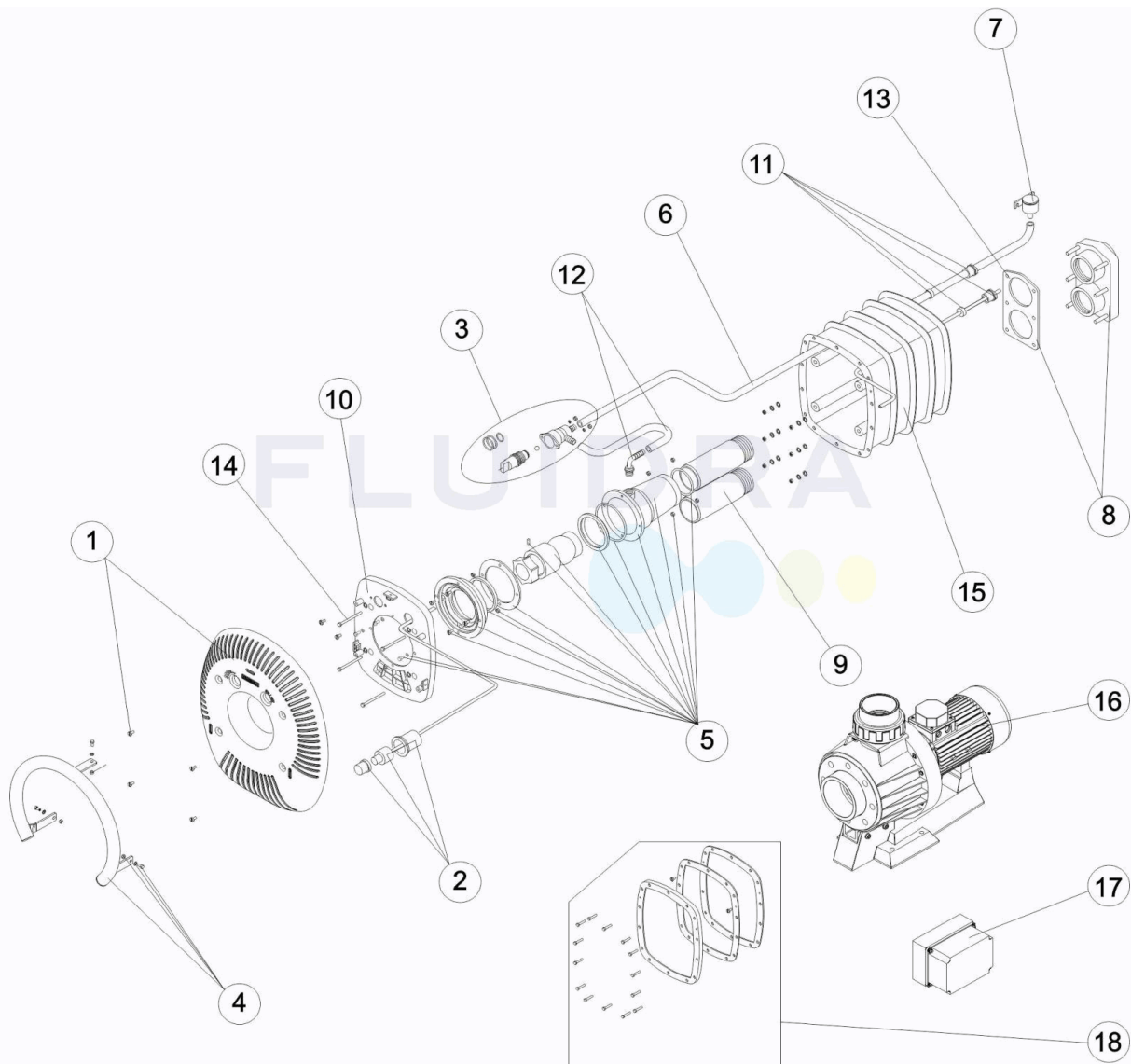
DESCRIZIONE: ATTREZZATURA NUOTO CONTROCORRENTE

OSSERVAZIONI

POS	CODICE	OSSERVAZIONI
16	11509	PER: 35377
16	28568	PER: 35375
16	30774	PER: 35376
17	11510	PER: 35377
17	25456	PER: 35375
17	32151	PER: 35376

CODE 35375, 35376, 35377, 37214

BESCHREIBUNG: ANLAGE GEGENSTROM-SCHWIMMEN



DEUTSCH

POS	CODE	BESCHREIBUNG	POS	CODE	BESCHREIBUNG
1	4402050601	ABDECKUNG ECC. ECO.	12	4402050121	LUFTSCHLAUCH GSA KURZ L-300 M/M.
2	4402050119	PNEUMATIKTASTER GSA KOMPLETT	13	4402050108	DICHTUNG ANSCHLUSSFLANSCH GSA
3	4402050603	LUFTREGLER GSA KOMPLETT	14	4402050134	SCHRAUBENSATZ BEFESTIGUNGSPLATTE GSA
4	4402050604	HALTEGRIF	15	11502R0100	GEHÄNSE
5	4402050605	DÜSE GSA KOMPLETT	16	* 28568	PUMPEN 3 HP II
6	4401070015	ANSAUGFÜHRUNS 1,5 M.	16	* 30774	PUMPEN 3 HP III
7	4402050109	LUFTANSAUGVENTIL	16	* 11509	PUMPEN 4,5 HP III
8	4402050107	ANSCHLUSSFLANSCH MIT DICHTUNG	17	* 25456	PN SCHALTKASTEN 3 HP II
9	4402050118	SAUG-/ DRUCKROHR GSA	17	* 32151	PN SCHALTKASTEN 3 HP III
10	4402050126	BEFESTIGUNGSPLATTE AUS KUNSTSTOFF	17	* 11510	PN SCHALTKASTEN 4,5 HP III
11	4402050110	PG-VERSCHRAUBUNGSSATZ GSA	18	11503	FLANSCHSATZ

CODE **35375, 35376, 35377, 37214**

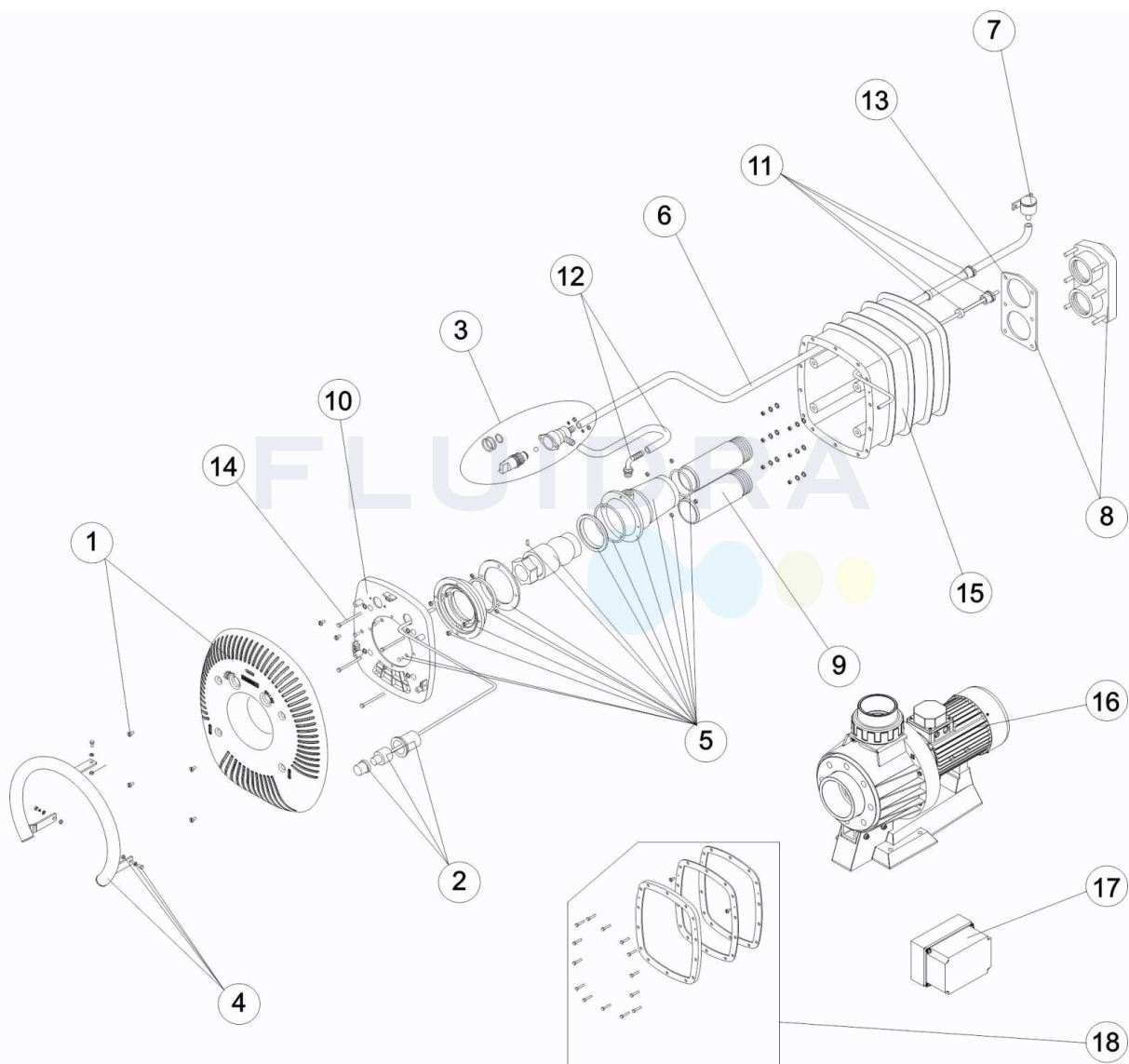
BESCHREIBUNG: **ANLAGE GEGENSTROM-SCHWIMMEN**

HINWEISE

POS	CODE	HINWEISE
16	11509	FÜR: 35377
16	28568	FÜR: 35375
16	30774	FÜR: 35376
17	11510	FÜR: 35377
17	25456	FÜR: 35375
17	32151	FÜR: 35376

CODIGO **35375, 35376, 35377, 37214**

DESCRIÇÃO: **EQUIPAMENTO NATAÇÃO CONTRA-CORRENTE**



PORTUGUES

POS	CODIGO	DESCRIÇÃO	POS	CODIGO	DESCRIÇÃO
1	4402050601	COBERTA ECC. ECO.	12	4402050121	TUBO ASPIRAÇÃO VENTURI L-300 M/M.
2	4402050119	PURSÁTIL COMPLETO	13	4402050108	JUNTA TAMPA E.C.C.
3	4402050603	VÁLVULA REGULAÇÃO E.C.C.	14	4402050134	PARAFUSOS PLACA FIXAÇÃO
4	4402050604	AGARRADEIRA	15	11502R0100	CAIXA DE ALOJAMENTO
5	4402050605	BOCA COMPLETA E.C.C.	16	* 28568	BOMBA 3 HP II
6	4401070015	TUBAGEM DE ASPIRAÇÃO 1,5 M.	16	* 30774	BOMBA 3 HP III
7	4402050109	VÁLVULA ASPIRAÇÃO AR	16	* 11509	BOMBA 4,5 HP III
8	4402050107	FLANGE LIGAÇÃO COM JUNTA	17	* 25456	QUADROS DE COMASNDOS 3 HP II
9	4402050118	TUBO ASPIRAÇÃO / IMPULSÃO	17	* 32151	QUADROS DE COMASNDOS 3 HP III
10	4402050126	PLACA FIXAÇÃO PLÁSTICO	17	* 11510	QUADROS DE COMASNDOS 4,5 HP III
11	4402050110	BUCIN	18	11503	KIT MONTAGEM DE PISCINAS LINER E POLIESTE

CODIGO 35375, 35376, 35377, 37214

DESCRIÇÃO: EQUIPAMENTO NATAÇÃO CONTRA-CORRENTE

OBSERVAÇÕES

POS	CODIGO	OBSERVAÇÕES
16	11509	PARA: 35377
16	28568	PARA: 35375
16	30774	PARA: 35376
17	11510	PARA: 35377
17	25456	PARA: 35375
17	32151	PARA: 35376