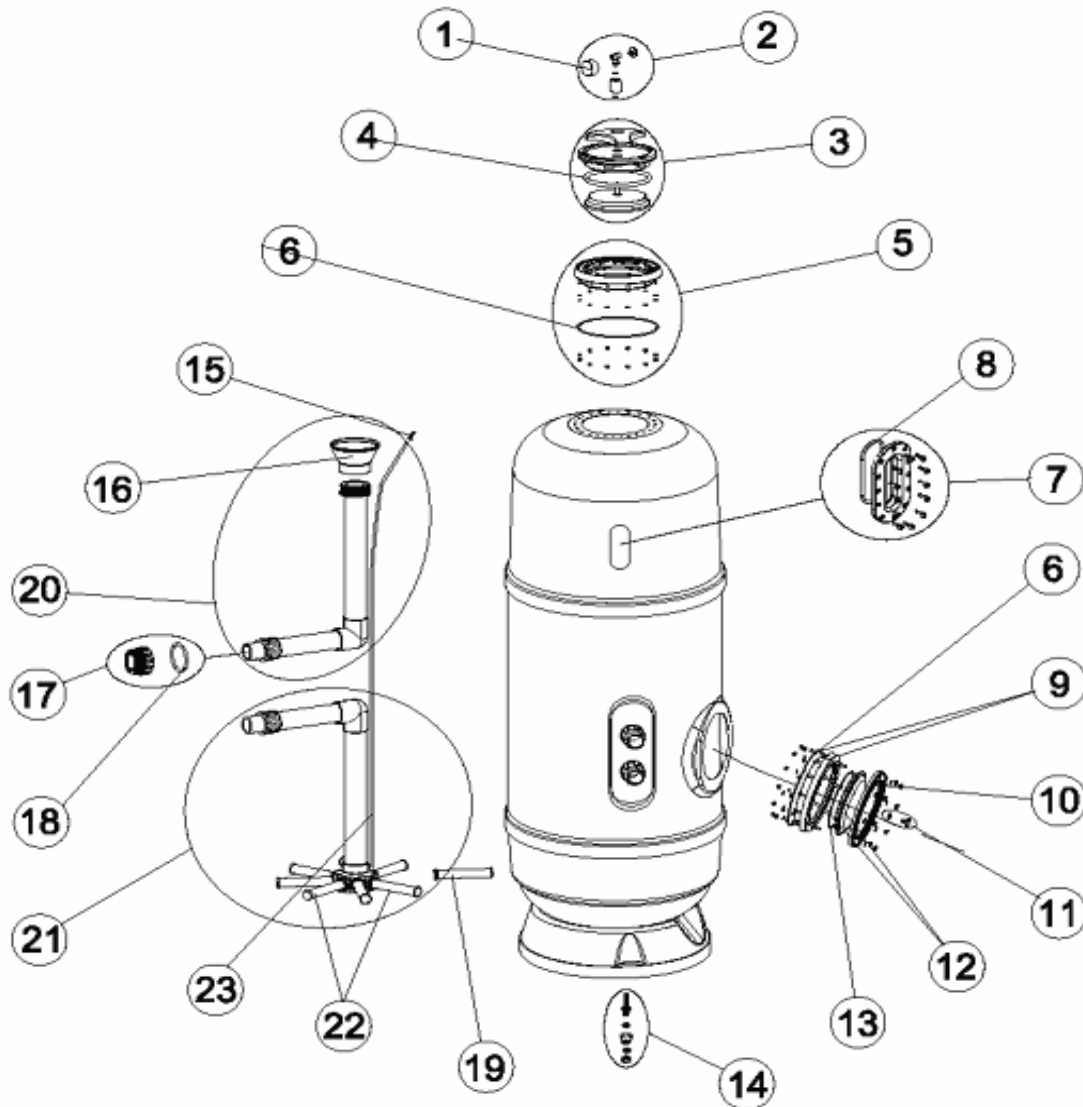


CODE **36676, 36677, 36680, 36681**

BESCHREIBUNG: **FILTER DELTA 100-1200 D. 650 - 800**



DEUTSCHE

POS	CODE	BESCHREIBUNG	POS	CODE	BESCHREIBUNG
1	4404010103	"MANOMETER 1/8" 3 KG./CM"	16	*4404300910	VERTEILER KONUS D. 63
2	4404020101	MANOMETER 1/8" KOMPLETT	17	*4404040103	"BEHÄLTERVERSCHRAUBUNG + O-RING 1 1/2""
3	4404020102	DECKEL RAPID KOMPLETT	17	*4404040112	"VERSCHRAUBUNG 2"" + O-RING"
4	4404020111	DECKELDICHTUNG	18	4404040115	O-RING D 60X8
5	4404020108	EINSATZ RAPID DECKEL KOMPLETT	19	*4404300916	"FILTERSTERN SCHLITZROHR 1"" 225 MM"
6	4404020116	O-RING 255X4	20	*4404010183	OBERER WASSERVERTEILER D. 650 - 1000
7	4404100000	SET SCHAUGLAS	20	*4404010184	OBERER WASSERVERTEILER D. 800 - 1000
8	4404301916	O-RING D 110,5X5,6	20	*4404010185	OBERER WASSERVERTEILER D. 650 - 1200
9	4404160809	ANSATZRING 20 SCHRAUBEN	20	*4404010186	OBERER WASSERVERTEILER D. 800 - 1200
10	4404160849	BLENDENSATZ DECKEL	21	*4404010187	UNTERER WASSERVERTEILER D. 650 - 1000
11	4404040113	KAPPE ENTLERUNG UND DICHTUNG	21	*4404010188	UNTERER WASSERVERTEILER D. 800 - 1000
12	4404160847	FILTERDECKEL D. 220 SCHWARZ	21	*4404010189	UNTERER WASSERVERTEILER D. 650 - 1200
13	4404260106	DICHTUNG FÜR BEFESTIGUNGSRING TOP-VENTIL	21	*4404010190	UNTERER WASSERVERTEILER D. 800 - 1200
14	4404010108	"ENTLEERUNGSSATZ FILTER 3/8""	22	*4404010027	SET FILTERSTERN SCHLITZROHR D. 650
15	4404040108	FILTER ENTLÜFTUNG	22	*4404010028	SET FILTERSTERN SCHLITZROHR D. 650
16	*4404301004	VERTEILER KONUS D. 50	23	4404300708	STARRES ROHR L-1900

CODE **36676, 36677, 36680, 36681**

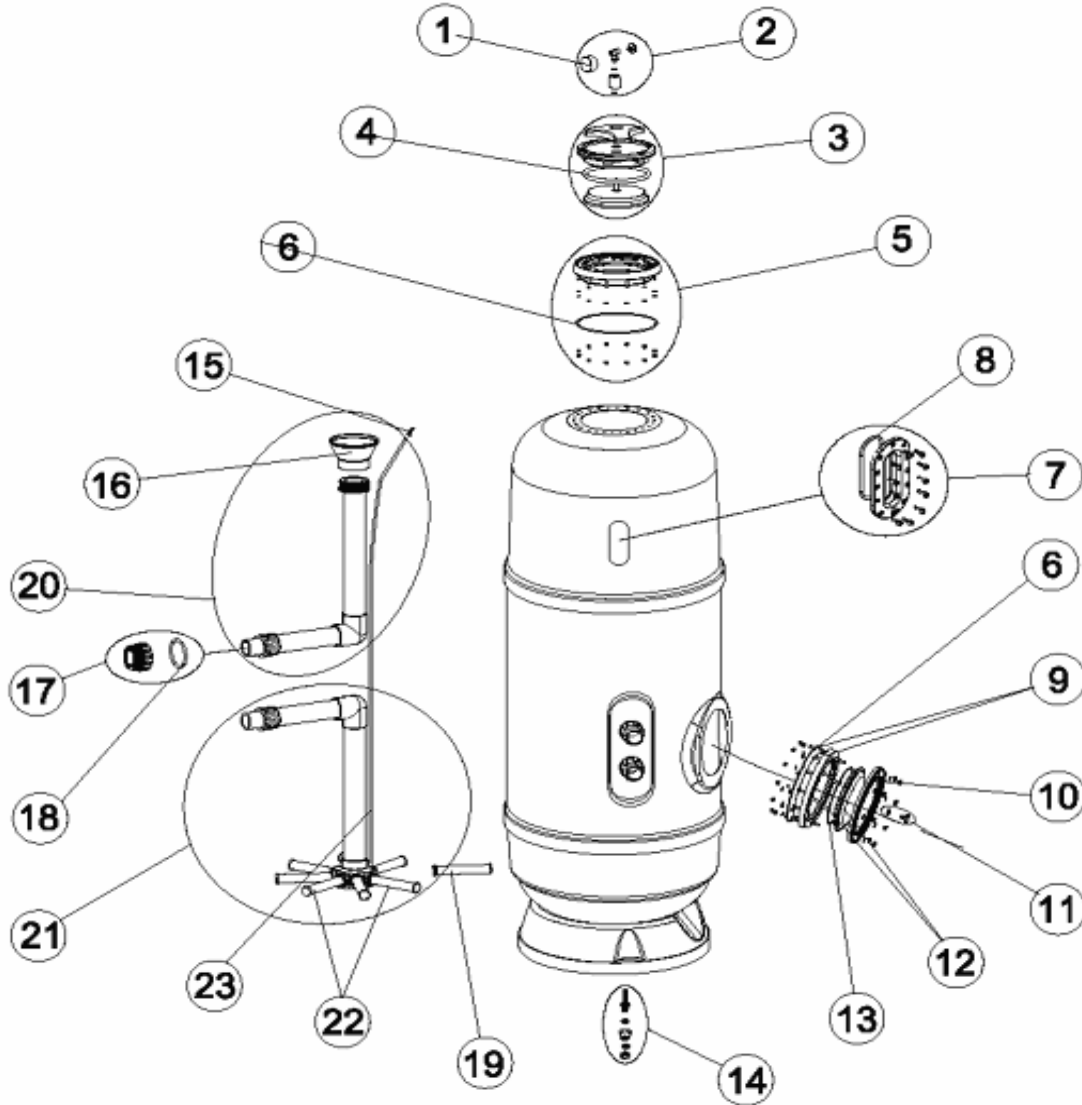
BESCHREIBUNG: **FILTER DELTA 100-1200 D. 650 - 800**

HINWEISE

POSICIÓN	PIEZA	OBSERVACIÓN
16	4404301004	PARA 36676, 36680
16	4404300910	PARA 36677, 36681
17	4404040103	PARA 36676, 36680
17	4404040112	PARA 36677, 36681
19	4404300916	PARA (36676-4), (36977-6), (36980-4), (36981-6)
20	4404010183	PARA 36676
20	4404010184	PARA 36677
20	4404010185	PARA 36680
20	4404010186	PARA 36681
21	4404010187	PARA 36676
21	4404010188	PARA 36677
21	4404010189	PARA 36680
21	4404010190	PARA 36681
22	4404010027	PARA 36676, 36680
22	4404010028	PARA 36677, 36681

CODE **36676, 36677, 36680, 36681**

DESCRIPTION: **DELTA FILTER 100 - 1200 D.650 - 800**



ENGLISH

POS	CODE	DESCRIPTION	POS	CODE	DESCRIPTION
1	4404010103	"PRESSURE GAUGE 1/8" 3 KG./CM"	16	*4404300910	DIFFUSER CONE D. 63
2	4404020101	PRESSURE GAUGE UNIT 1/8"	17	*4404040103	"FITTING 1 1/2" + O'RING"
3	4404020102	QUICK CLOSING LID UNIT	17	*4404040112	"2" OUTLET FITTING + O'RING"
4	4404020111	LID GASKET	18	4404040115	O' RING D. 60X8
5	4404020108	LID RING UNIT	19	*4404300916	"MANIFOLD ARM 1" 225 MM"
6	4404020116	O' RING 255X4	20	*4404010183	DIFFUSER ASSEMBLY D. 650 - 1000
7	4404100000	VISOR ASSEMBLY	20	*4404010184	DIFFUSER ASSEMBLY D. 800 - 1000
8	4404301916	O' RING D. 110,5X5,6	20	*4404010185	DIFFUSER ASSEMBLY D. 650 - 1200
9	4404160809	20-SCREW NECK RING	20	*4404010186	DIFFUSER ASSEMBLY D. 800 - 1200
10	4404160849	LIF FIXING RING	21	*4404010187	MANIFOLD ASSEMBLY D. 650 - 1000
11	4404040113	DRAIN PLUG AND GASKET	21	*4404010188	MANIFOLD ASSEMBLY D. 800 - 1000
12	4404160847	FILTER LID D. 220 BLACK	21	*4404010189	MANIFOLD ASSEMBLY D. 650 - 1200
13	4404260106	VALVE TOP RING FIXING GASKET	21	*4404010190	MANIFOLD ASSEMBLY D. 800 - 1200
14	4404010108	"WATER PURGE 3/8""	22	*4404010027	MANIFOLD ARM ASSEMBLY D. 650
15	4404040108	AIR PURGE	22	*4404010028	MANIFOLD ARM ASSEMBLY D. 650
16	*4404301004	DIFFUSER CONE D. 50	23	4404300708	RIGID PIPE L-1900

CODE **36676, 36677, 36680, 36681**

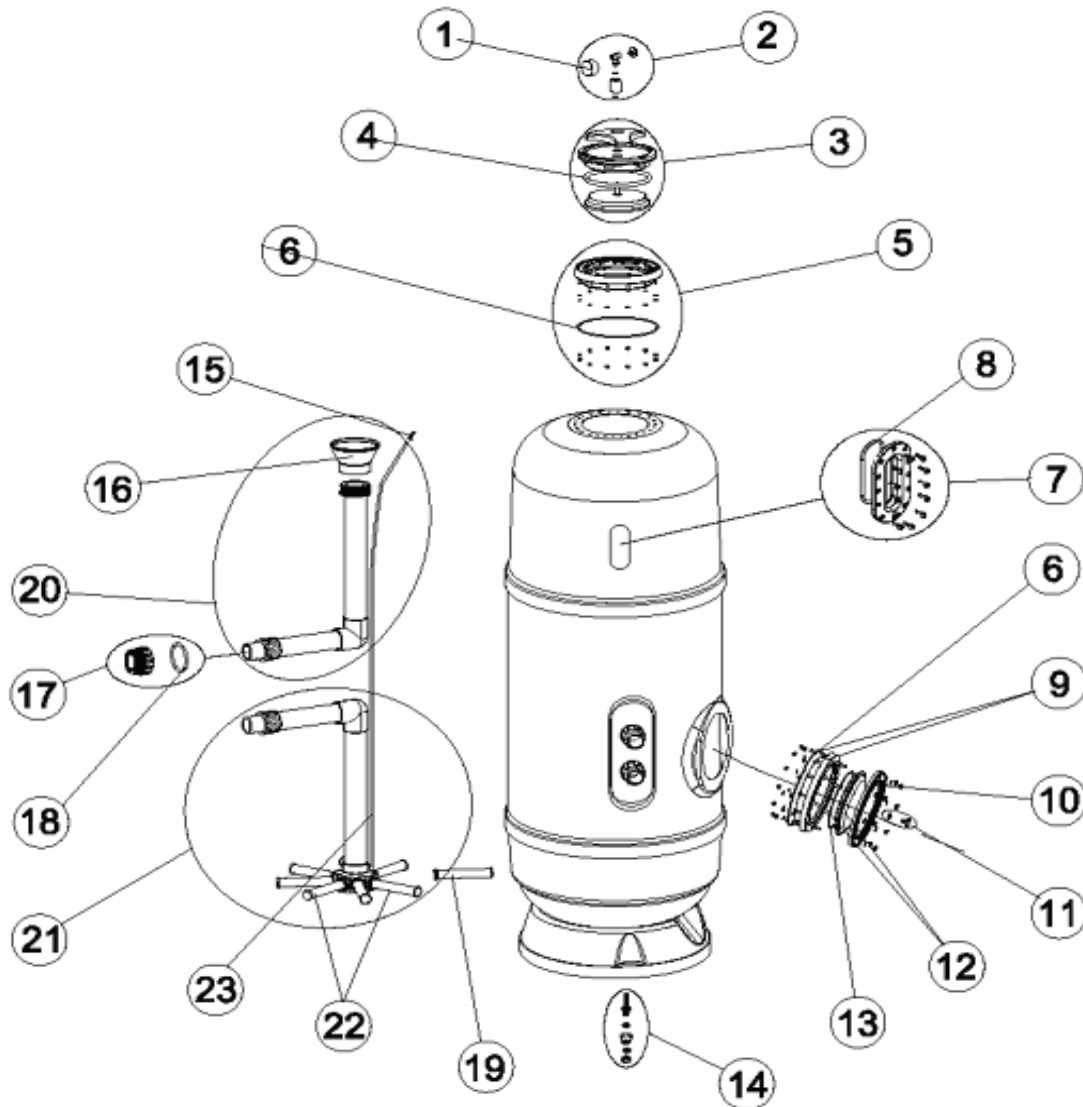
DESCRIPTION: **DELTA FILTER 100 - 1200 D.650 - 800**

OBSERVATIONS

POSICIÓN	PIEZA	OBSERVACIÓN
16	4404301004	PARA 36676, 36680
16	4404300910	PARA 36677, 36681
17	4404040103	PARA 36676, 36680
17	4404040112	PARA 36677, 36681
19	4404300916	PARA (36676-4), (36977-6), (36980-4), (36981-6)
20	4404010183	PARA 36676
20	4404010184	PARA 36677
20	4404010185	PARA 36680
20	4404010186	PARA 36681
21	4404010187	PARA 36676
21	4404010188	PARA 36677
21	4404010189	PARA 36680
21	4404010190	PARA 36681
22	4404010027	PARA 36676, 36680
22	4404010028	PARA 36677, 36681

CODIGO **36676, 36677, 36680, 36681**

DESCRIPCION: **FILTRO DELTA 100-1200 D.650 - 800**



ESPAÑOL

POS	CODIGO	DESCRIPCION	POS	CODIGO	DESCRIPCION
1	4404010103	MANOMETRO 1/8" 3 KG./CM	16	* 4404300910	CONO DIFUSOR D. 63
2	4404020101	MANOMETRO 1/8" COMPLETO	17	* 4404040103	RACORD 1 1/2" + JUNTA TORICA
3	4404020102	TAPA RAPID COMPLETA	17	* 4404040112	"RACORD SALIDA 2" + JUNTA TORICA"
4	4404020111	JUNTA TAPA	18	4404040115	JUNTA TORICA D. 60X8
5	4404020108	ARO TAPA COMPLETO	19	* 4404300916	BRAZO COLECTOR 1" 225 MM
6	4404020116	JUNTA TORICA 255X4	20	* 4404010183	CJTO. DIFUSOR D. 650 - 1000
7	4404100000	CJTO. MIRILLA	20	* 4404010184	CJTO. DIFUSOR D. 800 - 1000
8	4404301916	JUNTA TORICA MIRILLA	20	* 4404010185	CJTO. DIFUSOR D. 650 - 1200
9	4404160809	ARO CUELLO 20 TORNILLOS	20	* 4404010186	CJTO. DIFUSOR D. 800 - 1200
10	4404160849	ARO FIJACION TAPA	21	* 4404010187	CJTO. COLECTOR D. 650 - 1000
11	4404040113	TAPON PURGA Y JUNTA	21	* 4404010188	CJTO. COLECTOR D. 800 - 1000
12	4404160847	TAPA FILTRO D. 220 NEGRA	21	* 4404010189	CJTO. COLECTOR D. 650 - 1200
13	4404260106	JUNTA ARO FIJACION VALVULA	21	* 4404010190	CJTO. COLECTOR D. 800 - 1200
14	4404010108	PURGA AGUA 3/8"	22	* 4404010027	CJTO. BRAZOS COLECTOR D. 650
15	4404040108	PURGA AIRE	22	* 4404010028	CJTO. BRAZOS COLECTOR D. 650
16	* 4404301004	CONO DIFUSOR D.50	23	4404300708	TUBO RIGIDO L-1900

CODIGO **36676, 36677, 36680, 36681**

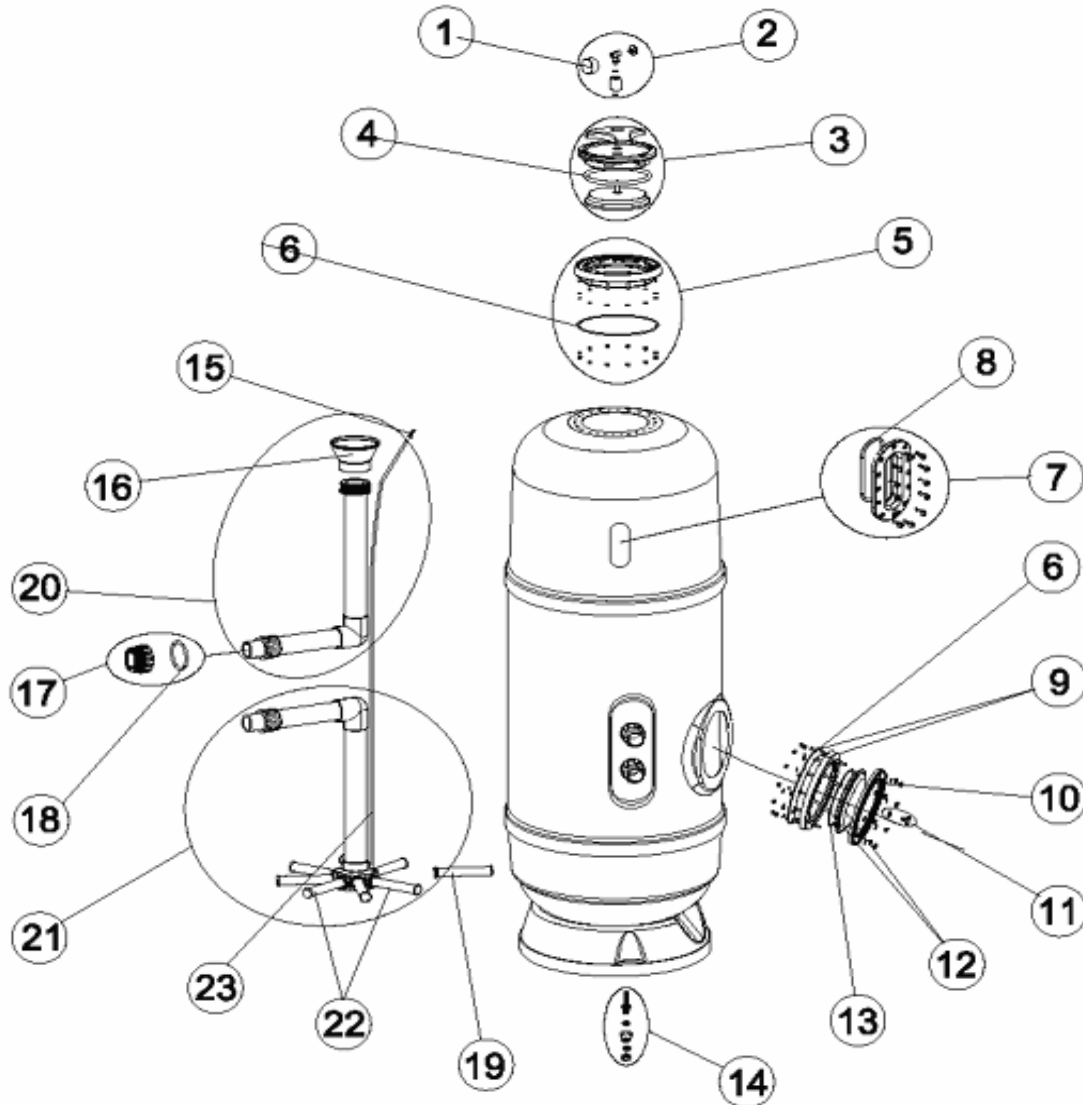
DESCRIPCION: **FILTRO DELTA 100-1200 D.650 - 800**

OBSERVACIONES

POSICIÓN	PIEZA	OBSERVACIÓN
16	4404301004	PARA 36676, 36680
16	4404300910	PARA 36677, 36681
17	4404040103	PARA 36676, 36680
17	4404040112	PARA 36677, 36681
19	4404300916	PARA (36676-4), (36977-6), (36980-4), (36981-6)
20	4404010183	PARA 36676
20	4404010184	PARA 36677
20	4404010185	PARA 36680
20	4404010186	PARA 36681
21	4404010187	PARA 36676
21	4404010188	PARA 36677
21	4404010189	PARA 36680
21	4404010190	PARA 36681
22	4404010027	PARA 36676, 36680
22	4404010028	PARA 36677, 36681

CODE 36676, 36677, 36680, 36681

DESCRIPTION: **FILTRE DELTA 100-1200 D.650 - 800**



FRANCAIS

POS	CODE	DESCRIPTION	POS	CODE	DESCRIPTION
1	4404010103	"MANOMETRE 1/8" 3 KG./CM"	16	*4404300910	DIFUSOR CONIQUE SUPERIOR D. 63
2	4404020101	MANOMETRE 1/8" COMPLET	17	*4404040103	"RACCORD 1 1/2" + JOINT TORIQUE"
3	4404020102	COUVERCLE RAPID COMPLET	17	*4404040112	"RACCORD SORTIE 2" + JOINT TORIQUE"
4	4404020111	JOINT DE COUVERCLE	18	4404040115	JOINT TORIQUE D 60X8
5	4404020108	BRIDE DE COUVERCLE COMPLETE	19	*4404300916	"BRAS DE REPARTITEUR 1" 225 MM"
6	4404020116	JOINT TORIQUE 255X4	20	*4404010183	ENSEMBLE DIFFUSEUR D. 650 - 1000
7	4404100000	ENSEMBLE VOYANT	20	*4404010184	ENSEMBLE DIFFUSEUR D. 800 - 1000
8	4404301916	JOINT TORIQUE D 110,5X5,6	20	*4404010185	ENSEMBLE DIFFUSEUR D. 650 - 1200
9	4404160809	BRIDE GORGE 20 VIS	20	*4404010186	ENSEMBLE DIFFUSEUR D. 800 - 1200
10	4404160849	BRIDE DE FIXATION COUVERCLE	21	*4404010187	ENSEMBLE COLLECTEUR D. 650 - 1000
11	4404040113	BOUCHON PURGE ET JOINT	21	*4404010188	ENSEMBLE COLLECTEUR D. 800 - 1000
12	4404160847	COUVERCLE FILTRE D. 220 NOIR	21	*4404010189	ENSEMBLE COLLECTEUR D. 650 - 1200
13	4404260106	JOINT BRIDE FIXATION VANNE TOP	21	*4404010190	ENSEMBLE COLLECTEUR D. 800 - 1200
14	4404010108	"PURGE D'EAU 3/8"	22	*4404010027	ENSEMBLE BRAS DE REPARTITEUR D. 650
15	4404040108	PURGE D'AIR	22	*4404010028	ENSEMBLE BRAS DE REPARTITEUR D. 800
16	*4404301004	DIFUSOR CONIQUE SUPERIOR D. 50	23	4404300708	TUBE RIGIDE L-1900

CODE **36676, 36677, 36680, 36681**

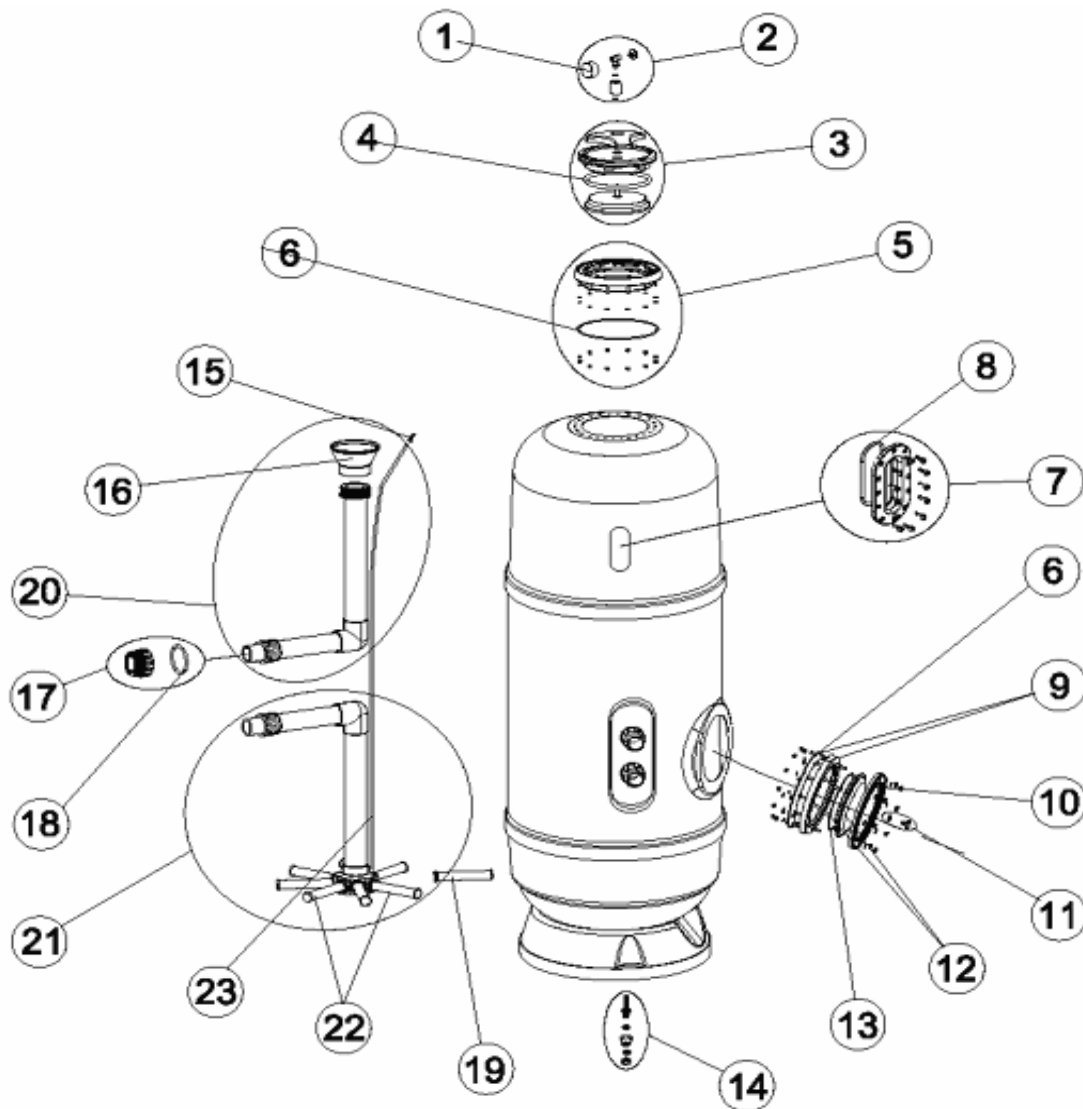
DESCRIPTION: **FILTRE DELTA 100-1200 D.650 - 800**

OBSERVATIONS

POSICIÓN	PIEZA	OBSERVACIÓN
16	4404301004	PARA 36676, 36680
16	4404300910	PARA 36677, 36681
17	4404040103	PARA 36676, 36680
17	4404040112	PARA 36677, 36681
19	4404300916	PARA (36676-4), (36977-6), (36980-4), (36981-6)
20	4404010183	PARA 36676
20	4404010184	PARA 36677
20	4404010185	PARA 36680
20	4404010186	PARA 36681
21	4404010187	PARA 36676
21	4404010188	PARA 36677
21	4404010189	PARA 36680
21	4404010190	PARA 36681
22	4404010027	PARA 36676, 36680
22	4404010028	PARA 36677, 36681

CODICE **36676, 36677, 36680, 36681**

DESCRIZIONE: **FILTRO DELTA 100-1200 D. 650 - 800**



ITALIANO

POS	CODICE	DESCRIZIONE	POS	CODICE	DESCRIZIONE
1	4404010103	"MANOMETRO 1/8" 3 KG./CM"	16	*4404300910	CONO DIFFUSORE D. 63
2	4404020101	MANOMETRO 1/8" COMPLETO	17	*4404040103	"RACCORDO 1 1/2" + O-RING"
3	4404020102	COPERCHIO RAPID COMPLETO	17	*4404040112	RACCORDO USCITA 2" + O-RING
4	4404020111	GUARNIZIONE COPERCHIO	18	4404040115	O-RING D. 60X8
5	4404020108	FLANGIA COPERCHIO COMPLETO	19	*4404300916	"CANDELOTTO COLLETTORE 1" 225 MM"
6	4404020116	O-RING 255X4	20	*4404010183	RACCORDO DIFFUSORE D. 650 - 1000
7	4404100000	GRUPPO SPIONCINO	20	*4404010184	RACCORDO DIFFUSORE D. 800 - 1000
8	4404301916	O-RING D. 110,5X5,6	20	*4404010185	RACCORDO DIFFUSORE D. 650 - 1200
9	4404160809	ANELLO COLLO 20 VITI	20	*4404010186	RACCORDO DIFFUSORE D. 800 - 1200
10	4404160849	FLANGIA FISSAGGIO COPERCHIO	21	*4404010187	KIT COLLETTORE D. 650 - 1000
11	4404040113	TAPPO SPURGO E GUARNIZIONE	21	*4404010188	KIT COLLETTORE D. 800 - 1000
12	4404160847	COPERCHIO FILTRO D. 220 NERO	21	*4404010189	KIT COLLETTORE D. 650 - 1200
13	4404260106	GUARNIZIONE FLANGIA FISSAGGIO VALVOLE TOP	21	*4404010190	KIT COLLETTORE D. 800 - 1200
14	4404010108	"SCARICO ACQUA 3/8"	22	*4404010027	GRUPPO CANDELOTTO COLLETTORE D. 650
15	4404040108	SFIATO ARIA	22	*4404010028	GRUPPO CANDELOTTO COLLETTORE D. 650
16	*4404301004	CONO DIFFUSORE D. 50	23	4404300708	TUBO RIGIDO L-1900

CODICE **36676, 36677, 36680, 36681**

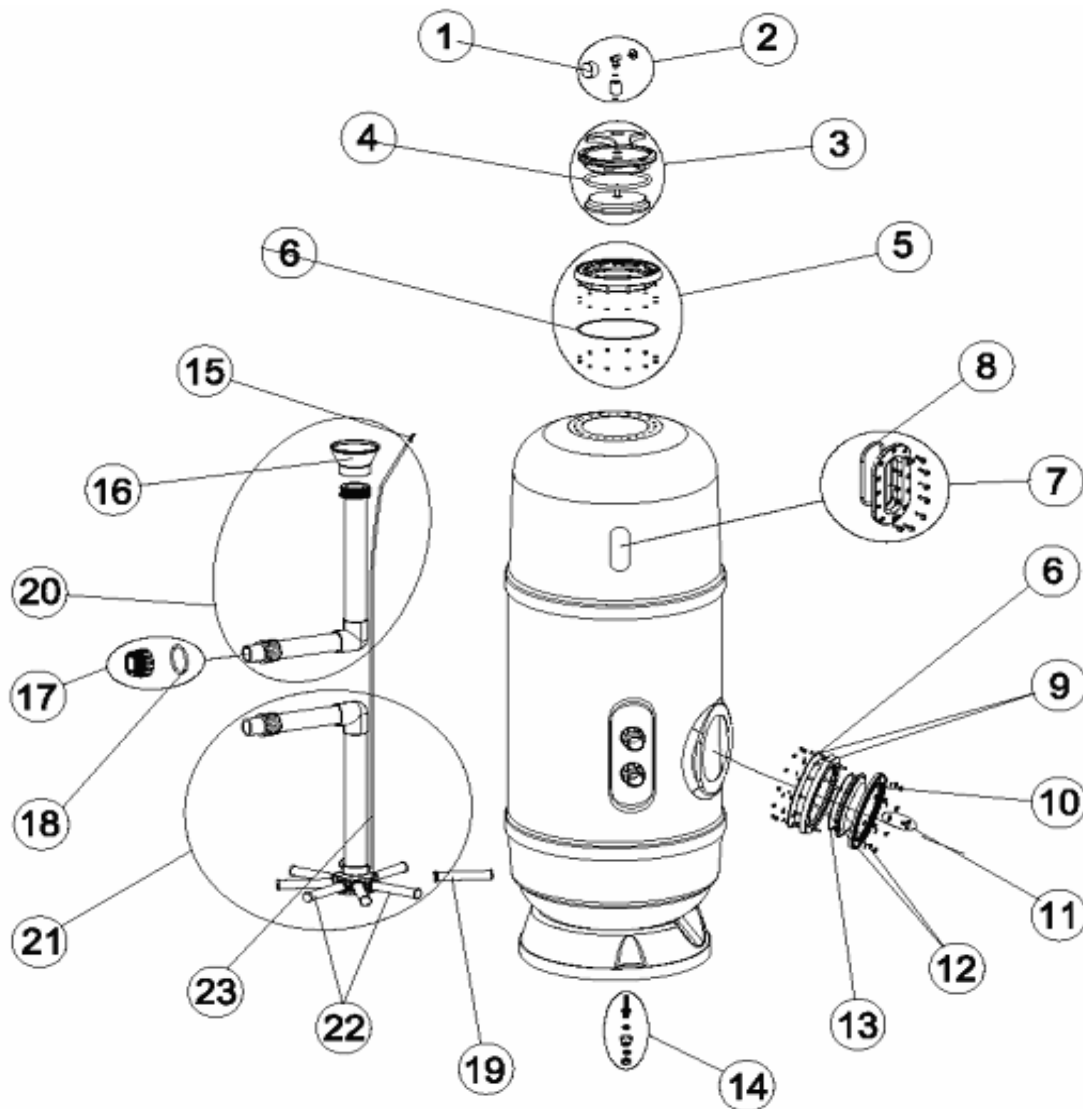
DESCRIZIONE: **FILTRO DELTA 100-1200 D. 650 - 800**

OSSERVAZIONI

POSICIÓN	PIEZA	OBSERVACIÓN
16	4404301004	PARA 36676, 36680
16	4404300910	PARA 36677, 36681
17	4404040103	PARA 36676, 36680
17	4404040112	PARA 36677, 36681
19	4404300916	PARA (36676-4), (36977-6), (36980-4), (36981-6)
20	4404010183	PARA 36676
20	4404010184	PARA 36677
20	4404010185	PARA 36680
20	4404010186	PARA 36681
21	4404010187	PARA 36676
21	4404010188	PARA 36677
21	4404010189	PARA 36680
21	4404010190	PARA 36681
22	4404010027	PARA 36676, 36680
22	4404010028	PARA 36677, 36681

CODIGO **36676, 36677, 36680, 36681**

DESCRIÇÃO: **FILTRO DELTA 100-1200 D. 650 - 800**



PORTUGUES

POS	CODIGO	DESCRIÇÃO	POS	CODIGO	DESCRIÇÃO
1	4404010103	"MANOMETRO 1/8" 3 KG./CM"	16	*4404300910	CONO DIFUSOR D. 63
2	4404020101	MANÓMETRO 1/8" COMPLETO	17	*4404040103	"RACORD 1 1/2" JUNTA TORICA"
3	4404020102	TAMPA RÁPIDA COMPLETA	17	*4404040112	"ACOPLADOR SAÍDA 2" + JUNTA TORICA"
4	4404020111	JUNTA TAMPA	18	4404040115	JUNTA TÓRICA D 60X8
5	4404020108	ARO TAMPA COMPLETO	19	*4404300916	"BRAÇO COLECTOR 1" 225 MM"
6	4404020116	JUNTA TÓRICA 255X4	20	*4404010183	CJTO. DIFUSOR D. 650 - 1000
7	4404100000	CONJUNTO VIGIA	20	*4404010184	CJTO. DIFUSOR D. 800 - 1000
8	4404301916	JUNTA TÓRICA D110,5X5,6	20	*4404010185	CJTO. DIFUSOR D. 650 - 1200
9	4404160809	ARO PESCOCOÇO 20 PARAFUSOS	20	*4404010186	CJTO. DIFUSOR D. 800 - 1200
10	4404160849	ARO FIXAÇÃO TAMPA	21	*4404010187	CJTO. COLECTOR D. 650 - 1000
11	4404040113	TAMPÃO PURGA E JUNTA	21	*4404010188	CJTO. COLECTOR D. 800 - 1000
12	4404160847	TAMPA FILTRO D.220 NEGRA	21	*4404010189	CJTO. COLECTOR D. 650 - 1200
13	4404260106	JUNTA ARO FIXAÇÃO VALVULA TOP	21	*4404010190	CJTO. COLECTOR D. 800 - 1200
14	4404010108	"PURGA AGUA 3/8"	22	*4404010027	CJTO. BRAÇO COLECTOR D.650
15	4404040108	PURGA AREIA	22	*4404010028	CJTO. BRAÇO COLECTOR D.650
16	*4404301004	CONO DIFUSOR D. 50	23	4404300708	TUBO RÍGIDO L-1900

CODIGO **36676, 36677, 36680, 36681**

DESCRIÇÃO: **FILTRO DELTA 100-1200 D. 650 - 800**

OBSERVAÇÕES

POSICIÓN	PIEZA	OBSERVACIÓN
16	4404301004	PARA 36676, 36680
16	4404300910	PARA 36677, 36681
17	4404040103	PARA 36676, 36680
17	4404040112	PARA 36677, 36681
19	4404300916	PARA (36676-4), (36977-6), (36980-4), (36981-6)
20	4404010183	PARA 36676
20	4404010184	PARA 36677
20	4404010185	PARA 36680
20	4404010186	PARA 36681
21	4404010187	PARA 36676
21	4404010188	PARA 36677
21	4404010189	PARA 36680
21	4404010190	PARA 36681
22	4404010027	PARA 36676, 36680
22	4404010028	PARA 36677, 36681