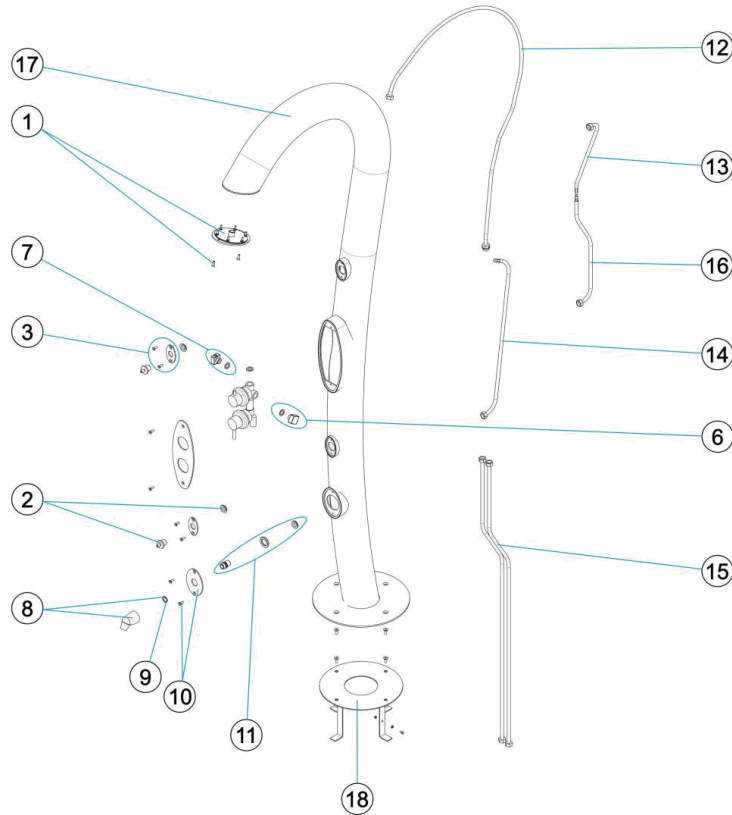
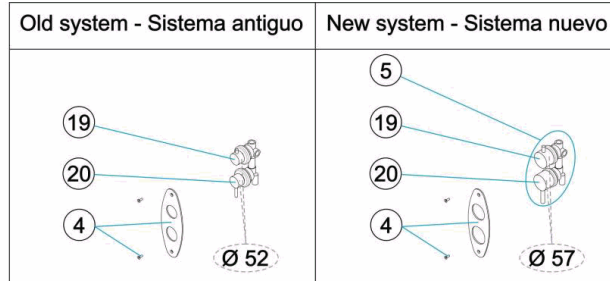


CODIGO **45867**

DESCRIPCION: **DUCHA MISTY ART**



ESPAÑOL

| POS | CODIGO | DESCRIPCION | POS | CODIGO | DESCRIPCION |
|-----|------------|-----------------------------|------|------------|---|
| 1 | 4401040135 | PIÑA MISTY | 12 | 4401040145 | LATIGUILLO 1/2" MACHO + 1/2" HEMBRA L = 1700" |
| 2 | 4401040136 | BOQUILLA NEBULIZADORA | 13 | 4401040097 | LATIGUILLO 1/2" H LOCA M-10 M. L=400" |
| 3 | 4401040137 | EMBELLECEDOR NEBULIZADOR | 14 | 4401040037 | LATIGUILLO 1/2" H. M-10 M. L=800 MM " |
| 4 * | 4401040138 | EMBELLECEDOR MONOMANDO Ø 52 | 15 | 4401040055 | LATIGUILLO 1/2" HEMBRA + 1/2" MACHO L=400 M/M " |
| 4 * | 4401040271 | EMBELLECEDOR MONOMANDO Ø 57 | 16 | 4401040146 | LATIGUILLO 1/2" HEMBRA +M10 MACHO L=550 M " |
| 5 * | 4401040268 | MONOMANDO COMPLETO | 17 | 45867R0100 | CUERPO DUCHA |
| 6 | 4401040140 | CONEXIÓN MONOMANDO | 18 | 45867R0810 | ANCLAJE |
| 7 | 4401040141 | CONEXIÓN NEBULIZADORES | 19 * | 4401040270 | CARTUCHO MONOMANDO |
| 8 | 4401040142 | ROCIADOR LAVAPIES | 19 * | 4401040269 | CARTUCHO MONOMANDO |
| 9 | 4401040011 | JUNTA PLANA | 20 * | 4401040272 | CARTUCHO DISTRIBUIDOR |
| 10 | 4401040143 | EMBELLECEDOR LAVAPIES | 20 * | 4401040273 | CARTUCHO DISTRIBUIDOR |
| 11 | 4401040144 | CONEXION ROCIADOR | | | |

CODIGO **45867**

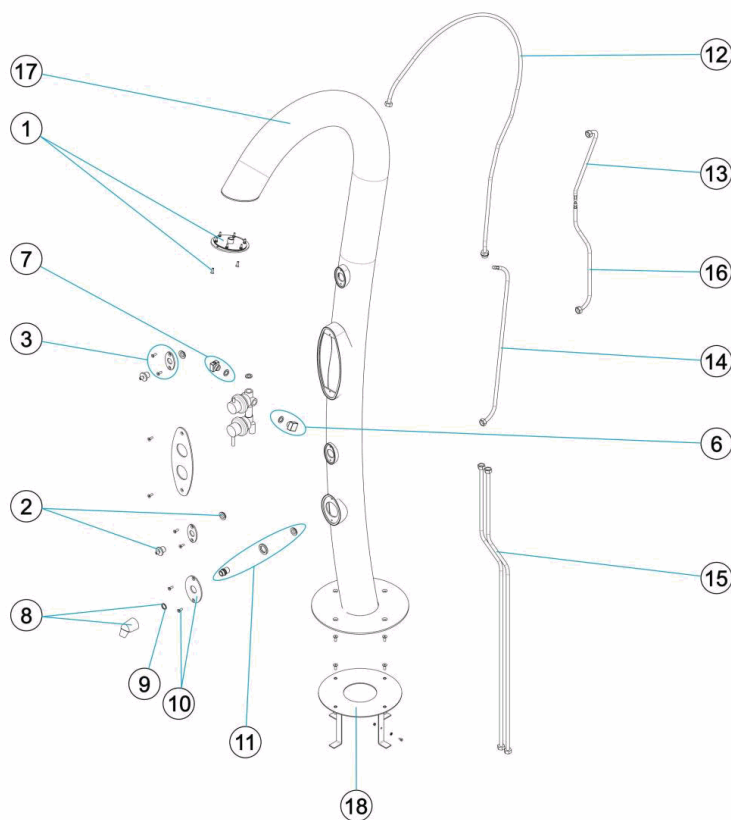
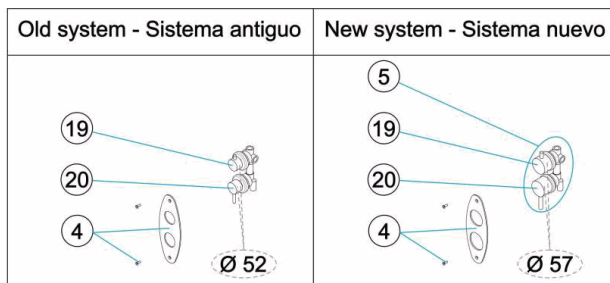
DESCRIPCION: **DUCHA MISTY ART**

OBSERVACIONES

| POS | CODIGO | OBSERVACIONES |
|-----|------------|--|
| 4 | 4401040138 | PARA: Ø 52 |
| 4 | 4401040271 | PARA: Ø 57 |
| 5 | 4401040268 | PARA: Ø 57. Requiere el embellecedor Ø 57 (4401040271) / Requires trim cover Ø 57 (4401040271) |
| 19 | 4401040270 | PARA: Ø 52 |
| 19 | 4401040269 | PARA: Ø 57 |
| 20 | 4401040272 | PARA: Ø 52 |
| 20 | 4401040273 | PARA: Ø 57 |

CODE **45867**

DESCRIPTION: **DOUCHE MISTY ART**



FRANCAIS

| POS | CODE | DESCRIPTION | POS | CODE | DESCRIPTION |
|-----|--------------|----------------------------|-----|--------------|---|
| 1 | 4401040135 | POMMEAU DE DOUCHE MISTY | 12 | 4401040145 | TUYAU 1/2" FEMELLE + M-10 MÂLE L=1700 M " |
| 2 | 4401040136 | BUSE NÉBULISATION | 13 | 4401040097 | FLEXIBLE 1/2" H LOCA M-10 M. L=400" |
| 3 | 4401040137 | ENJOLIVEUR PULVÉRISATEUR | 14 | 4401040037 | TUYAU 1/2" FEMELLE + M-10 MÂLE L=800" |
| 4 | * 4401040138 | ENJOLIVEUR MITIGEUR Ø 52 | 15 | 4401040055 | FLEXIBLE |
| 4 | * 4401040271 | ENJOLIVEUR MITIGEUR Ø 57 | 16 | 4401040146 | TUYAU 1/2" FEMELLE + M-10 MÂLE L=550 M " |
| 5 | * 4401040268 | COMMANDE DOUCHE COMPLETE | 17 | 45867R0100 | CORPS DE DOUCHE |
| 6 | 4401040140 | CONNEXION ROBINET MITIGEUR | 18 | 45867R0810 | ANCRAGE |
| 7 | 4401040141 | CONNEXION PULVÉRISATEURS | 19 | * 4401040270 | CARTOUCHE MONOCOMMANDE |
| 8 | 4401040142 | ROBINET RINCE-PIEDS | 19 | * 4401040269 | CARTOUCHE MONOCOMMANDE |
| 9 | 4401040011 | JOINT PLAT | 20 | * 4401040272 | CARTOUCHE DISTRIBUTEUR |
| 10 | 4401040143 | ENJOLIVEUR RINCE-PIEDS | 20 | * 4401040273 | CARTOUCHE DISTRIBUTEUR |
| 11 | 4401040144 | CONNEXION ENTREE | | | |

CODE **45867**

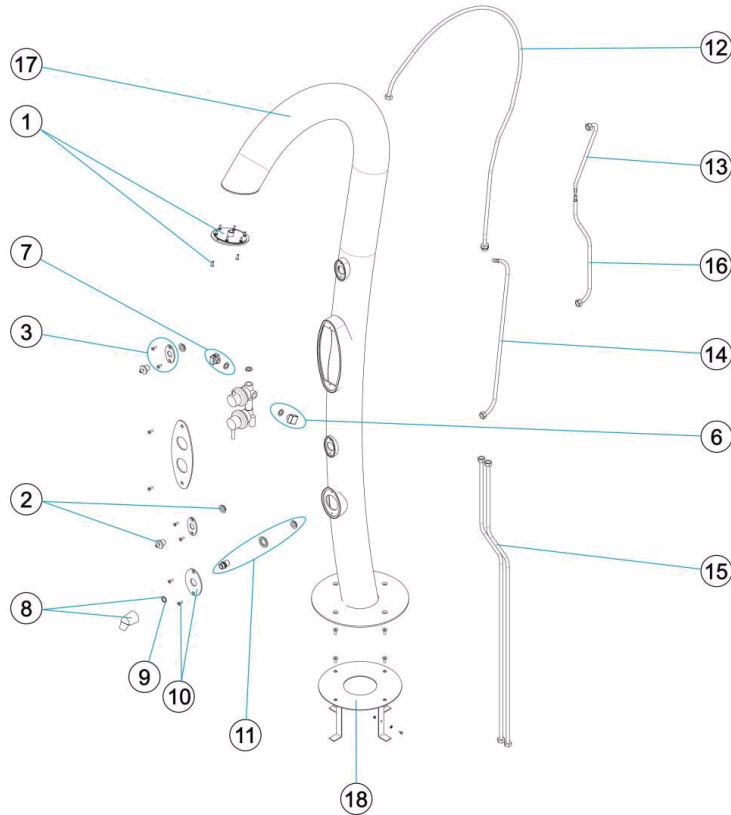
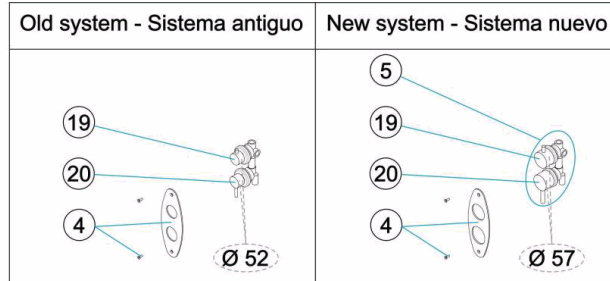
DESCRIPTION: **DOUCHE MISTY ART**

OBSERVATIONS

| POS | CODE | OBSERVATIONS |
|-----|------------|--|
| 4 | 4401040138 | POUR: Ø 52 |
| 4 | 4401040271 | POUR: Ø 57 |
| 5 | 4401040268 | POUR: Ø 57. Requiere el embellecedor Ø 57 (4401040271) / Requires trim cover Ø 57 (4401040271) |
| 19 | 4401040270 | POUR: Ø 52 |
| 19 | 4401040269 | POUR: Ø 57 |
| 20 | 4401040272 | POUR: Ø 52 |
| 20 | 4401040273 | POUR: Ø 57 |

CODE **45867**

DESCRIPTION: **MISTY ART SHOWER**



ENGLISH

| POS | CODE | DESCRIPTION | POS | CODE | DESCRIPTION |
|-----|------------|------------------------------|------|------------|---|
| 1 | 4401040135 | MISTY SHOWER HEAD | 12 | 4401040145 | FLEXIBLE HOSE 1/2" FEMALE + M-10 MALE L=170C |
| 2 | 4401040136 | NEBULISER NOZZLE | 13 | 4401040097 | 1/2" H LOCA M-10 M. L=400 CABL " |
| 3 | 4401040137 | NEBULISER TRIM | 14 | 4401040037 | FLEXIBLE HOSE 1/2" FEMALE + M-10 MALE L = 80C |
| 4 * | 4401040138 | SINGLE-LEVER TRIM COVER Ø 52 | 15 | 4401040055 | BRAIDED HOSE |
| 4 * | 4401040271 | SINGLE-LEVER TRIM COVER Ø 57 | 16 | 4401040146 | FLEXIBLE HOSE 1/2" FEMALE + M-10 MALE L=550 |
| 5 * | 4401040268 | COMPLETE SINGLE-HANDLE UNIT | 17 | 45867R0100 | BODY SHOWER |
| 6 | 4401040140 | SINGLE-LEVER CONNECTOR | 18 | 45867R0810 | ANCHOR |
| 7 | 4401040141 | NEBULISER CONNECTOR | 19 * | 4401040270 | SINGLE-LEVER CARTRIDGE |
| 8 | 4401040142 | FOOTWASH SPRAY | 19 * | 4401040269 | SINGLE-LEVER CARTRIDGE |
| 9 | 4401040011 | FLAT GASKET | 20 * | 4401040272 | CARTRIDGE DISTRIBUTOR |
| 10 | 4401040143 | FOOTWASH TRIM | 20 * | 4401040273 | CARTRIDGE DISTRIBUTOR |
| 11 | 4401040144 | SPRAY CONNECTION | | | |

CODE **45867**

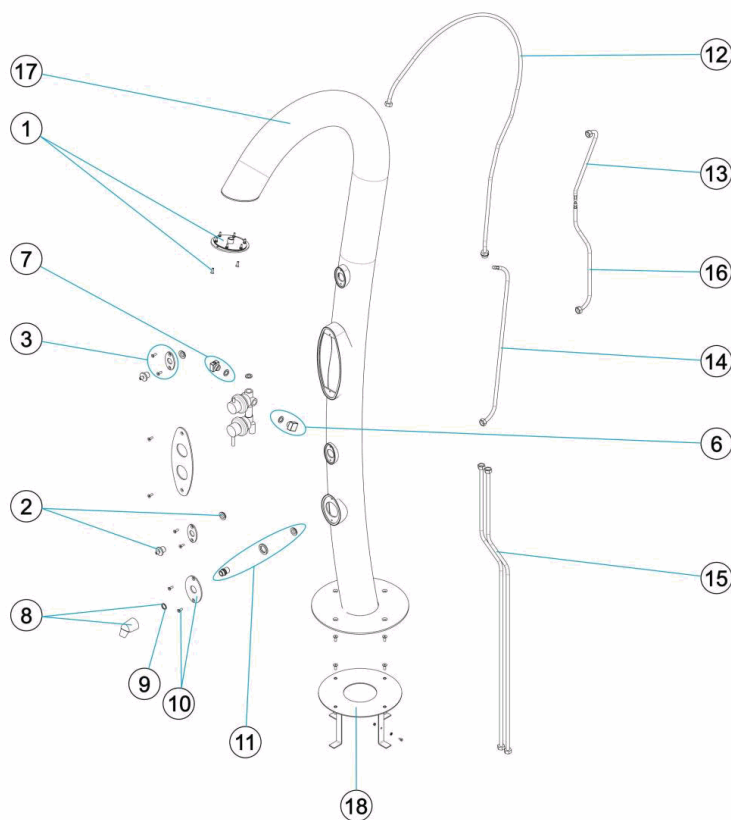
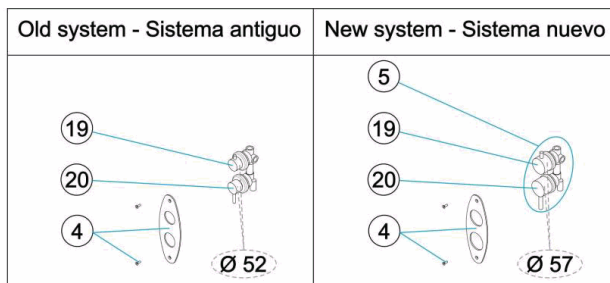
DESCRIPTION: **MISTY ART SHOWER**

OBSERVATIONS

| POS | CODE | OBSERVATIONS |
|-----|------------|---|
| 4 | 4401040138 | FOR: Ø 52 |
| 4 | 4401040271 | FOR: Ø 57 |
| 5 | 4401040268 | FOR: Ø 57. Requiere el embellecedor Ø 57 (4401040271) / Requires trim cover Ø 57 (4401040271) |
| 19 | 4401040270 | FOR: Ø 52 |
| 19 | 4401040269 | FOR: Ø 57 |
| 20 | 4401040272 | FOR: Ø 52 |
| 20 | 4401040273 | FOR: Ø 57 |

CODICE 45867

DESCRIZIONE: DOCCIA MISTY ART



ITALIANO

| POS | CODICE | DESCRIZIONE | POS | CODICE | DESCRIZIONE |
|-----|------------|------------------------------|------|------------|--|
| 1 | 4401040135 | DIFFUSORE DOCCIA MISTY | 12 | 4401040145 | SPINOTTO 1/2" FEMMINA + M-10 MASCHIO L=170C |
| 2 | 4401040136 | BOCCHETTA NEBULIZZATA | 13 | 4401040097 | CAVETTO 1/2" H LOCA M-10 M. L=400" |
| 3 | 4401040137 | RIVESTIMENTO NEBULIZZATORE | 14 | 4401040037 | SPINOTTO 1/2" FEMMINA + M-10 MASCHIO L=800" |
| 4 * | 4401040138 | IMBELLITORE MONOCOMANDO Ø 52 | 15 | 4401040055 | FLESSIBILE |
| 4 * | 4401040271 | IMBELLITORE MONOCOMANDO Ø 57 | 16 | 4401040146 | SPINOTTO 1/2" FEMMINA + M-10 MASCHIO L=550 I |
| 5 * | 4401040268 | RUBINETTO COMPLETO | 17 | 45867R0100 | CORPO DOCCIA |
| 6 | 4401040140 | CONNESSIONE MONOCOMANDO | 18 | 45867R0810 | ANCORAGGIO |
| 7 | 4401040141 | CONNESSIONE NEBULIZZATORE | 19 * | 4401040270 | CARTUCCIA MONOCOMANDO |
| 8 | 4401040142 | SPRUZZATORE LAVAPIEDI | 19 * | 4401040269 | CARTUCCIA MONOCOMANDO |
| 9 | 4401040011 | GIUNTURA PIANA | 20 * | 4401040272 | CARTUCCIA DISTRIBUTORE |
| 10 | 4401040143 | RIVESTIMENTO LAVAPIEDI | 20 * | 4401040273 | CARTUCCIA DISTRIBUTORE |
| 11 | 4401040144 | COLLEGAMENTO SOFFIONE | | | |

* -> SI FACCIA RIFERIMENTO AL FOGLIO DELLE OSSERVAZIONI

CODICE **45867**

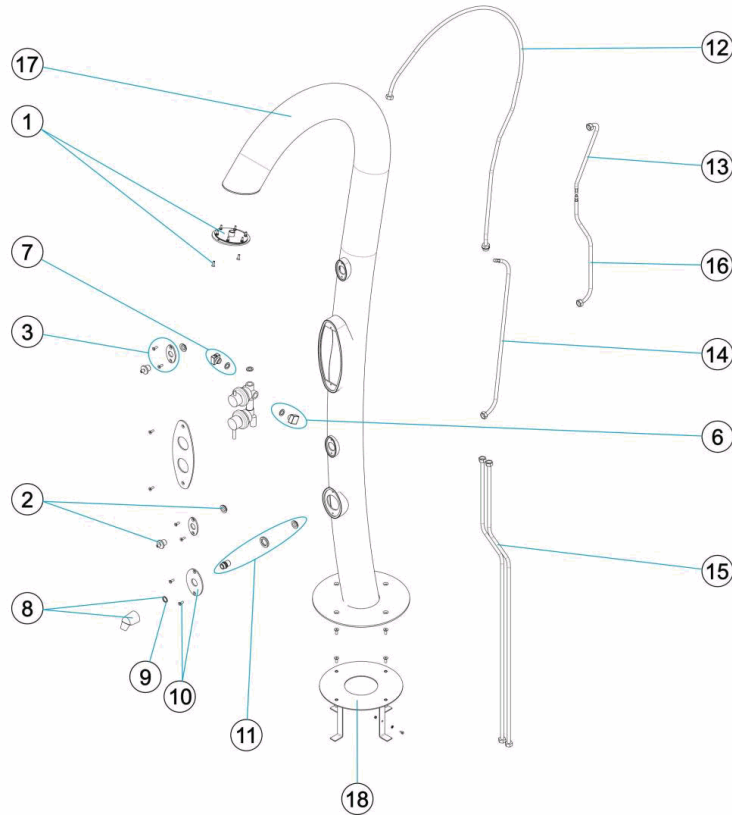
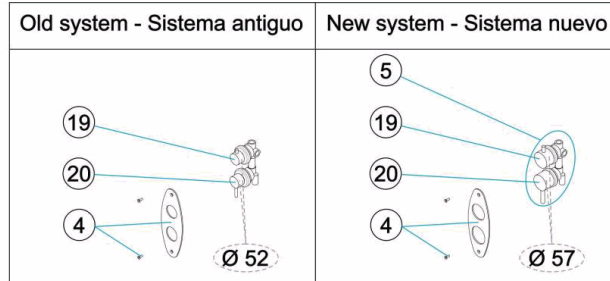
DESCRIZIONE: **DOCCIA MISTY ART**

OSSERVAZIONI

| POS | CODICE | OSSERVAZIONI |
|-----|------------|---|
| 4 | 4401040138 | PER: Ø 52 |
| 4 | 4401040271 | PER: Ø 57 |
| 5 | 4401040268 | PER: Ø 57. Requiere el embellecedor Ø 57 (4401040271) / Requires trim cover Ø 57 (4401040271) |
| 19 | 4401040270 | PER: Ø 52 |
| 19 | 4401040269 | PER: Ø 57 |
| 20 | 4401040272 | PER: Ø 52 |
| 20 | 4401040273 | PER: Ø 57 |

CODE **45867**

BESCHREIBUNG: **DUSCHE MISTY ART**



DEUTSCH

| POS | CODE | BESCHREIBUNG | POS | CODE | BESCHREIBUNG |
|-----|------------|---------------------------|------|------------|---|
| 1 | 4401040135 | DUSCHKOPF MISTY | 12 | 4401040145 | SCHLAUCHLEITUNG 1/2" NIPPEL UND 1/2" MUFFE |
| 2 | 4401040136 | SPÜHDÜSE | 13 | 4401040097 | SCHLAUCHLEITUNG 1/2" GEWINDEKÖRPER MUFF |
| 3 | 4401040137 | BLLENDE NEBELGERÄT | 14 | 4401040037 | SCHLAUCHLEITUNG 1/2" MUFFE M-10 NIPPEL L=80 |
| 4 * | 4401040138 | BLLENDE EINHANDHEBEL Ø 52 | 15 | 4401040055 | SCHLAUCHLEITUNG 1/2" MUFFE UND 1/2" NIPPEL |
| 4 * | 4401040271 | BLLENDE EINHANDHEBEL Ø 57 | 16 | 4401040146 | SCHLAUCHLEITUNG 1/2" MUFFE UND M10 NIPPEL |
| 5 * | 4401040268 | EINHANDHEBEL KOMPLETT | 17 | 45867R0100 | DUSCHEINHEIT |
| 6 | 4401040140 | ANSCHLUSS EINHANDHEBEL | 18 | 45867R0810 | VERANKERUNG |
| 7 | 4401040141 | ANSCHLUSS SPRÜHDÜSEN | 19 * | 4401040270 | KARTUSCHE EINHANDHEBEL |
| 8 | 4401040142 | DUSCHKOPF FUSSDUSCHE | 19 * | 4401040269 | KARTUSCHE EINHANDHEBEL |
| 9 | 4401040011 | FLACHDICHTUNG | 20 * | 4401040272 | KARTUSCHE VERTEILER |
| 10 | 4401040143 | BLLENDE FUSSDUSCHE | 20 * | 4401040273 | KARTUSCHE VERTEILER |
| 11 | 4401040144 | ANSCHLUSS DUSCHKOPF | | | |

CODE **45867**

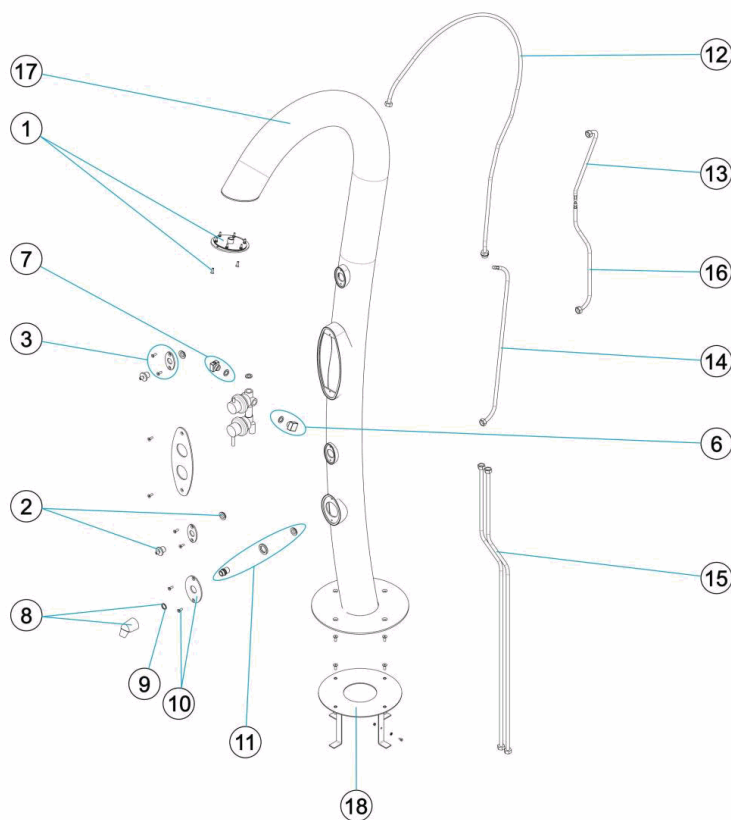
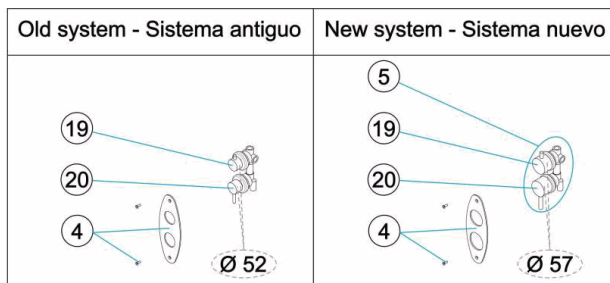
BESCHREIBUNG: **DUSCHE MISTY ART**

HINWEISE

| POS | CODE | HINWEISE |
|-----|------------|---|
| 4 | 4401040138 | FÜR: Ø 52 |
| 4 | 4401040271 | FÜR: Ø 57 |
| 5 | 4401040268 | FÜR: Ø 57. Requiere el embellecedor Ø 57 (4401040271) / Requires trim cover Ø 57 (4401040271) |
| 19 | 4401040270 | FÜR: Ø 52 |
| 19 | 4401040269 | FÜR: Ø 57 |
| 20 | 4401040272 | FÜR: Ø 52 |
| 20 | 4401040273 | FÜR: Ø 57 |

CODIGO **45867**

DESCRIÇÃO: **DUCHE MISTY ART**



PORTUGUES

| POS | CODIGO | DESCRIÇÃO | POS | CODIGO | DESCRIÇÃO |
|-----|------------|---------------------------------|------|------------|--|
| 1 | 4401040135 | REGADOR CHUVEIROMISTY | 12 | 4401040145 | MANGA 1/2" FÊMEA + M-10 MACHO L=1700 M " |
| 2 | 4401040136 | BOQUILHA NEBULIZADA | 13 | 4401040097 | MANGA 1/2" H LOCA M-10 M. L=400" |
| 3 | 4401040137 | PLACA DECORATIVA NEBULIZADOR | 14 | 4401040037 | MANGA 1/2" FÊMEA + M-10 MACHO L = 800" |
| 4 * | 4401040138 | ARO DECORATIVO MONOCOMANDO Ø 52 | 15 | 4401040055 | FLEXO |
| 4 * | 4401040271 | ARO DECORATIVO MONOCOMANDO Ø 57 | 16 | 4401040146 | MANGA 1/2" FÊMEA + M-10 MACHO L=550 M " |
| 5 * | 4401040268 | MONOCOMANDO COMPLETO | 17 | 45867R0100 | CORPO DE CHUVEIRO |
| 6 | 4401040140 | LIGAÇÃO MONOCOMANDO | 18 | 45867R0810 | ANCORA |
| 7 | 4401040141 | LIGAÇÃO NEBULIZADORES | 19 * | 4401040270 | CARTUCHO MONOCOMANDO |
| 8 | 4401040142 | BORRIFADOR LAVA-PÉS | 19 * | 4401040269 | CARTUCHO MONOCOMANDO |
| 9 | 4401040011 | BUCHA BORRACHA | 20 * | 4401040272 | DISTRIBUIDOR DE CARTUCHO |
| 10 | 4401040143 | PLACA DECORATIVA LAVA-PÉS | 20 * | 4401040273 | DISTRIBUIDOR DE CARTUCHO |
| 11 | 4401040144 | LIGAÇÃO DE PINHA | | | |

* -> VEJA A FICHA DE OBSERVAÇÕES

CODIGO **45867**

DESCRIÇÃO: **DUCHE MISTY ART**

OBSERVAÇÕES

| POS | CODIGO | OBSERVAÇÕES |
|-----|------------|--|
| 4 | 4401040138 | PARA: Ø 52 |
| 4 | 4401040271 | PARA: Ø 57 |
| 5 | 4401040268 | PARA: Ø 57. Requiere el embellecedor Ø 57 (4401040271) / Requires trim cover Ø 57 (4401040271) |
| 19 | 4401040270 | PARA: Ø 52 |
| 19 | 4401040269 | PARA: Ø 57 |
| 20 | 4401040272 | PARA: Ø 52 |
| 20 | 4401040273 | PARA: Ø 57 |