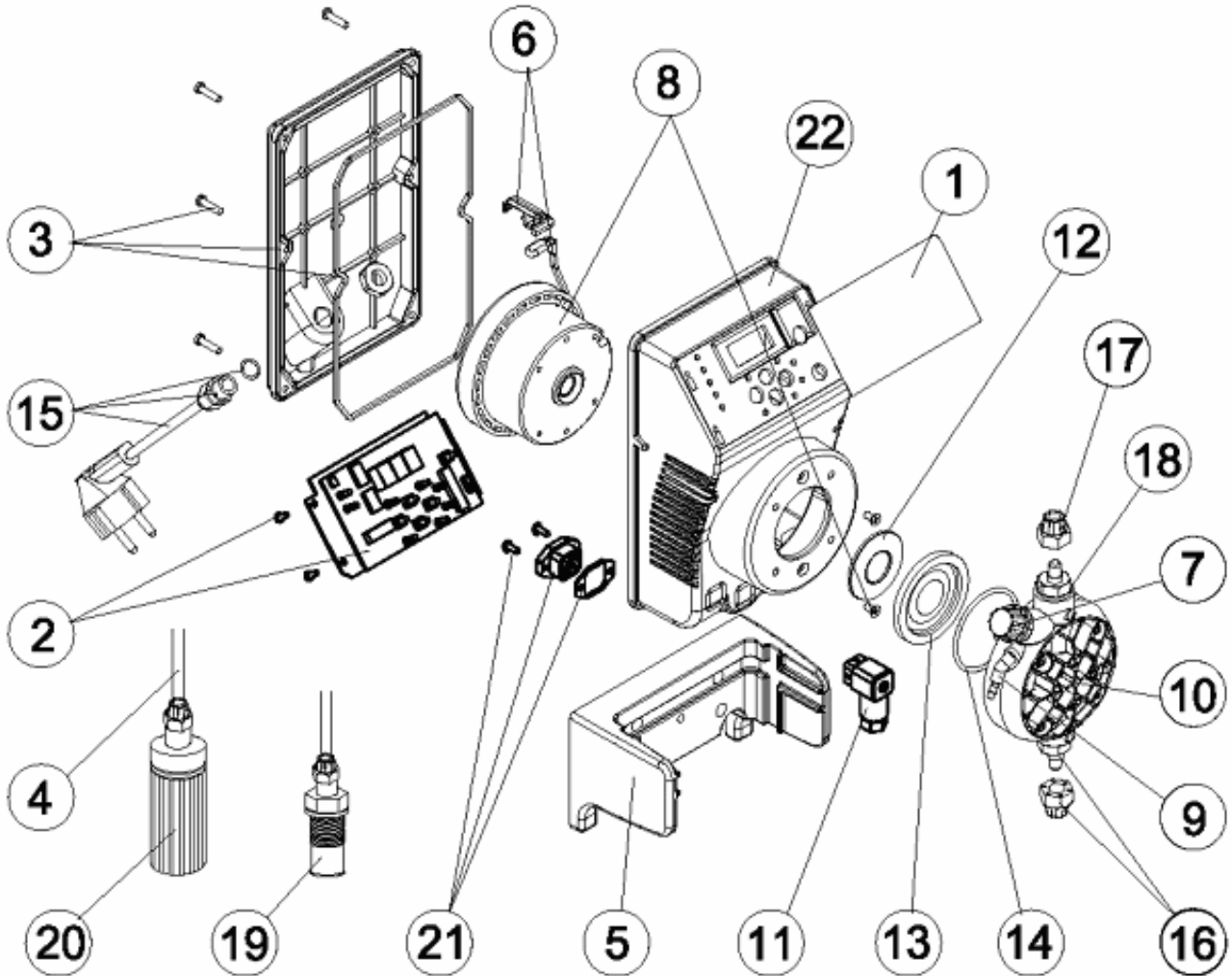


CODIGO **43491,43492,43493,43494**

DESCRIPCION: **BOMBA EXACTUS MANUAL PROPORCIONAL CC/M**



**ESPAÑOL**

POS	CODIGO	DESCRIPCION	POS	CODIGO	DESCRIPCION
1	4408032501	PANEL TACTIL CC/M EXACTUS 2009	10	* 4408030409	CABEZAL COMPLETO 20L. 5KG.
2	* 4408031308	CIRCUITO ELECTRONICO CC/M 230V.	11	4408031729	CONECTOR DE NIVEL
2	* 4408032502	CIRCUITO ELECTRONICO CC/M 20L 5KG 2009	12	* 4408031119	ARANDELA PISTON 2L 5KG - 2L 10KG - 5L 10KG
3	4408030025	TAPA POSTERIOR EXACTUS CON JUNTA	12	* 4408030531	ARANDELA PISTON 5L 7KG
4	4408030122	TUBO ASPIRACION/IMPULSION	12	* 4408031121	ARANDELA PISTON 10L 5KG
5	4408032303	SOPORTE EXACTUS 2009	12	* 4408031122	ARANDELA PISTON 20L 5KG
6	4408032305	SOPORTE MAS TERMOSTADO 110°	13	* 4408030119	MEMBRANA COMPLETA
7	4408032308	TAPON PURGA CABEZAL CP STD	13	* 4408030429	MEMBRANA COMPLETA 20L 5KG
8	* 4408030118	ELECTROIMAN COMPLETO 5L 7KG	14	* 4408030111	JUNTA TORICA CABEZAL
8	* 4408031114	ELECTROIMAN 5L 10KG	14	* 4408030413	JUNTA TORICA CABEZAL 20L 5KG
8	* 4408030517	ELECTROIMAN 10L 5KG	15	4408031221	CABLE ALIMENTACION
8	* 4408032309	ELECTROIMAN 20L.-5KG.	16	4408030112	CUERPO RACORD + DUTRAL
9	4408031203	RACOR PURGA CABEZAL	16	4408030113	CUERPO RACORD + VITON
10	* 4408031205	CABEZAL COMPLETO	16	4408030114	CUERPO RACORD + SILICONA

**\* -> VER HOJA DE OBSERVACIONES**

**CODIGO 43491,43492,43493,43494**

**DESCRIPCION: BOMBA EXACTUS MANUAL PROPORCIONAL CC/M**

17	4408030126	TUERCA SUJECCION TUBO	19	4408030121	VALVULA INYECCION COMPLETA
18	4408030115	VALVULA DUTRAL + SOPORTE	20	4408030123	FILTRO ASPIRACION COMPLETO
18	4408030116	VALVULA VITON + SOPORTE	21	4408031405	CONECTOR MACHO
18	4408030117	VALVULA SILICONA + SOPORTE	22	57174R0001	CAJA EXACTUS

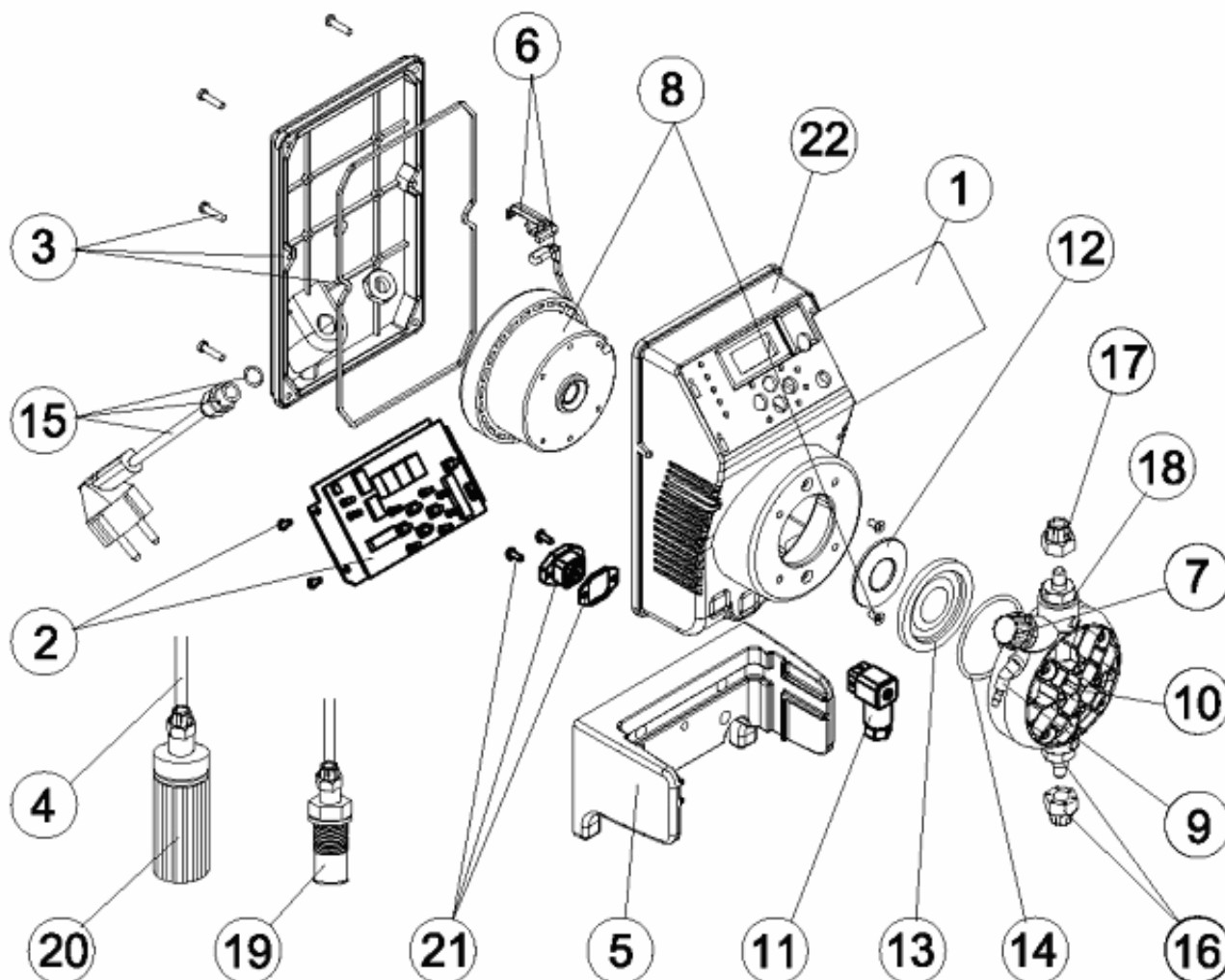
**CODIGO 43491,43492,43493,43494**

**DESCRIPCION: BOMBA EXACTUS MANUAL PROPORCIONAL CC/M**

**OBSERVACIONES**

POS	CODIGO	OBSERVACIONES
2	4408031308	PARA 43491, 43492, 43493
2	4408032502	PARA 43494
8	4408030118	PARA 43491
8	4408031114	PARA 43492
8	4408030517	PARA 43493
8	4408032309	PARA 43494
10	4408031205	PARA 43491, 43492, 43493
10	4408030409	PARA 43494
12	4408031119	PARA 43491
12	4408030531	PARA 43492
12	4408031121	PARA 43493
12	4408031122	PARA 43494
13	4408030119	PARA 43491, 43492, 43493
13	4408030429	PARA 43494
14	4408030111	PARA 43491, 43492, 43493
14	4408030413	PARA 43494

CODE **43491,43492,43493,43494**

 DESCRIPTION: **POMPE EXACTUS MANUELLE PROPORTIONNELLE CC/M**

**FRANCAIS**

POS	CODE	DESCRIPTION	POS	CODE	DESCRIPTION
1	4408032501	TABLEAU DE CONTROLE TACTILE CC/M EXACTUS 20L	10	* 4408030409	TETE COMPLET 20L. 5KG.
2	* 4408031308	CIRCUIT ELECTRONIQUE CC/M. 230V.	11	4408031729	CONECTEUR DE NIVEAU
2	* 4408032502	CIRCUIT ELECTRONIQUE CC/M 20L 5KG 2009	12	* 4408031119	RONDELLE PISTON 2L 5KG - 2L 10KG - 5L 10KG
3	4408030025	COUVERCLE POMPE EXACTUS	12	* 4408030531	RONDELLE PISTON 5L 7KG
4	4408030122	TUBE ASPIRATION/IMPULSION	12	* 4408031121	RONDELLE PISTON 10L 5KG
5	4408032303	SUPPORT DE POMPE EXACTUS 2009	12	* 4408031122	RONDELLE PISTON 20L 5KG
6	4408032305	SUPPORT + THERMOSTAT DE 110 °	13	* 4408030119	MEMBRANE COMPLETE
7	4408032308	BOUCHON PURGE	13	* 4408030429	MEMBRANE COMPLETE 20L 5KG
8	* 4408030118	ELECTROAIMANT COMPLETO 5L 7KG	14	* 4408030111	JOINT TORIQUE TETE
8	* 4408031114	ELECTROAIMANT 5L 10KG	14	* 4408030413	JOINT TORIQUE TETE 20L 5KG
8	* 4408030517	ELECTROAIMANT 10L 5KG	15	4408031221	CABLE ALIMENTATION
8	* 4408032309	ELECTROAIMANT 20L. 5KG	16	4408030112	CORPS RACCORD + CLAPET DUTRAL
9	4408031203	RACCOR PURGE	16	4408030113	CORPS RACCORD + CLAPET VITON
10	* 4408031205	TETE COMPLET	16	4408030114	CORPS RACCORD + CLAPET SILICONE

\* -&gt; VOIR FICHE D'OBSERVATIONS

CODE **43491,43492,43493,43494**

DESCRIPTION: **POMPE EXACTUS MANUELLE PROPORTIONNELLE CC/M**

17	4408030126	ECROU DE TUBE D'ASPIRATION	19	4408030121	VANNE INJECTION COMPLETE
18	4408030115	CLAPET DUTRAL + SUPPORT	20	4408030123	FILTRE ASPIRATION COMPLETE
18	4408030116	CLAPET VITON + SUPPORT	21	4408031405	CONNECTEUR MÂLE
18	4408030117	CLAPET SILICONA + SUPPORT	22	57174R0001	BOITIER DE POMPE EXACTUS

CODE **43491,43492,43493,43494**

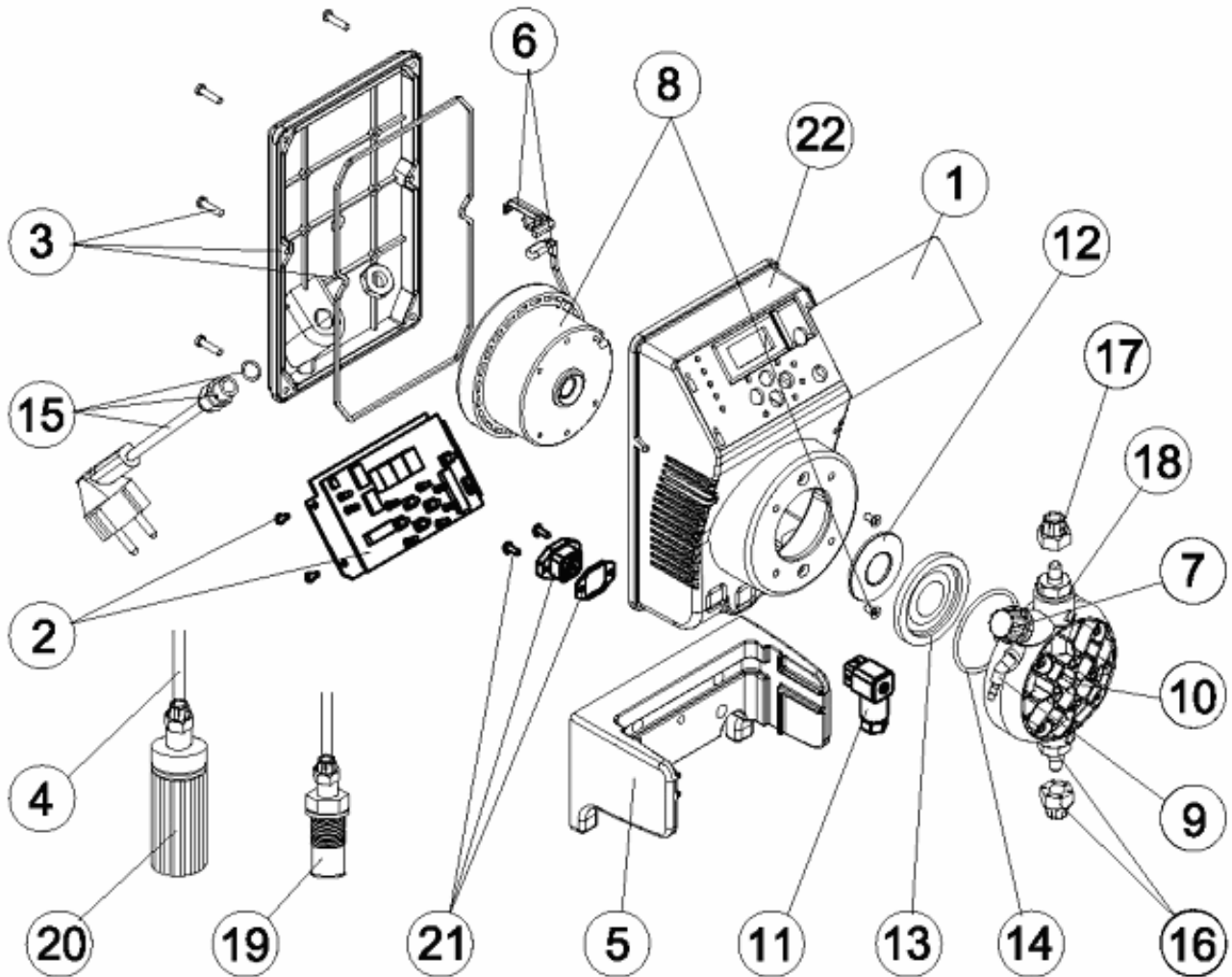
DESCRIPTION: **POMPE EXACTUS MANUELLE PROPORTIONNELLE CC/M**

### OBSERVATIONS

POS	CODE	OBSERVATIONS
2	4408031308	PARA 43491, 43492, 43493
2	4408032502	PARA 43494
8	4408030118	PARA 43491
8	4408031114	PARA 43492
8	4408030517	PARA 43493
8	4408032309	PARA 43494
10	4408031205	PARA 43491, 43492, 43493
10	4408030409	PARA 43494
12	4408031119	PARA 43491
12	4408030531	PARA 43492
12	4408031121	PARA 43493
12	4408031122	PARA 43494
13	4408030119	PARA 43491, 43492, 43493
13	4408030429	PARA 43494
14	4408030111	PARA 43491, 43492, 43493
14	4408030413	PARA 43494

CODE **43491,43492,43493,43494**

DESCRIPTION: **EXACTUS MANUAL PROPORTIONAL PUMP CC/MM**



**ENGLISH**

POS	CODE	DESCRIPTION	POS	CODE	DESCRIPTION
1	4408032501	TOUCH SCREEN PANEL CC/M 2009	10	* 4408030409	COMPLETE HEAD ASSEMBLY 20L. 5KG.
2	* 4408031308	ELECTRONIC CIRCUIT CC/M. 230V.	11	4408031729	FEMALE CONNECTOR BCN
2	* 4408032502	ELECTRONIC CIRCUIT MCCM 20L 5KG. 2009	12	* 4408031119	PISTON WASHER 2L 5KG - 2L 10KG - 5L 10KG
3	4408030025	PUMP REAR COVER	12	* 4408030531	PISTON WASHER 5L 7KG
4	4408030122	SUCTION/RETURN TUBE	12	* 4408031121	PISTON WASHER 10L 5KG
5	4408032303	PUMP SUPPORT 2009	12	* 4408031122	PISTON WASHER 20L 5KG
6	4408032305	SUPPORT AND THERMOSTAT 110°	13	* 4408030119	DIAPHRAM COMPLETE
7	4408032308	DRAIN PLUG	13	* 4408030429	DIAPHRAM COMPLETE 20L 5KG
8	* 4408030118	ELECTROMAGNET ASSEMBLY COMPLETEO 5L 7KG	14	* 4408030111	HEAD O RING
8	* 4408031114	ELECTROMAGNET 5L 10KG	14	* 4408030413	HEAD O RING 20L 5KG
8	* 4408030517	ELECTROMAGNET 10L 5KG	15	4408031221	SUPPLY CABLE
8	* 4408032309	ELECTROMAGNET 20L - 5KG	16	4408030112	HEAD CONNECTOR BODY + DUTRAL
9	4408031203	PURGE FITTING	16	4408030113	HEAD CONNECTOR BODY + VITON
10	* 4408031205	COMPLETE HEAD ASSEMBLY	16	4408030114	HEAD CONNECTOR BODY + SILICON

\* -> SEE OBSERVATIONS SHEET

CODE **43491,43492,43493,43494**

DESCRIPTION: **EXACTUS MANUAL PROPORTIONAL PUMP CC/MM**

17	4408030126	SUCTION TUBE NUT	19	4408030121	INJECTOR VALVE ASSEMBLY
18	4408030115	DUTRAL VALVE + SUPPORT	20	4408030123	FILTER ASSEMBLY
18	4408030116	VITON VALVE + SUPPORT	21	4408031405	MALE CONNECTOR
18	4408030117	SILICON VALVE + SUPPORT	22	57174R0001	EXACTUS PUMP BOX



CODE **43491,43492,43493,43494**

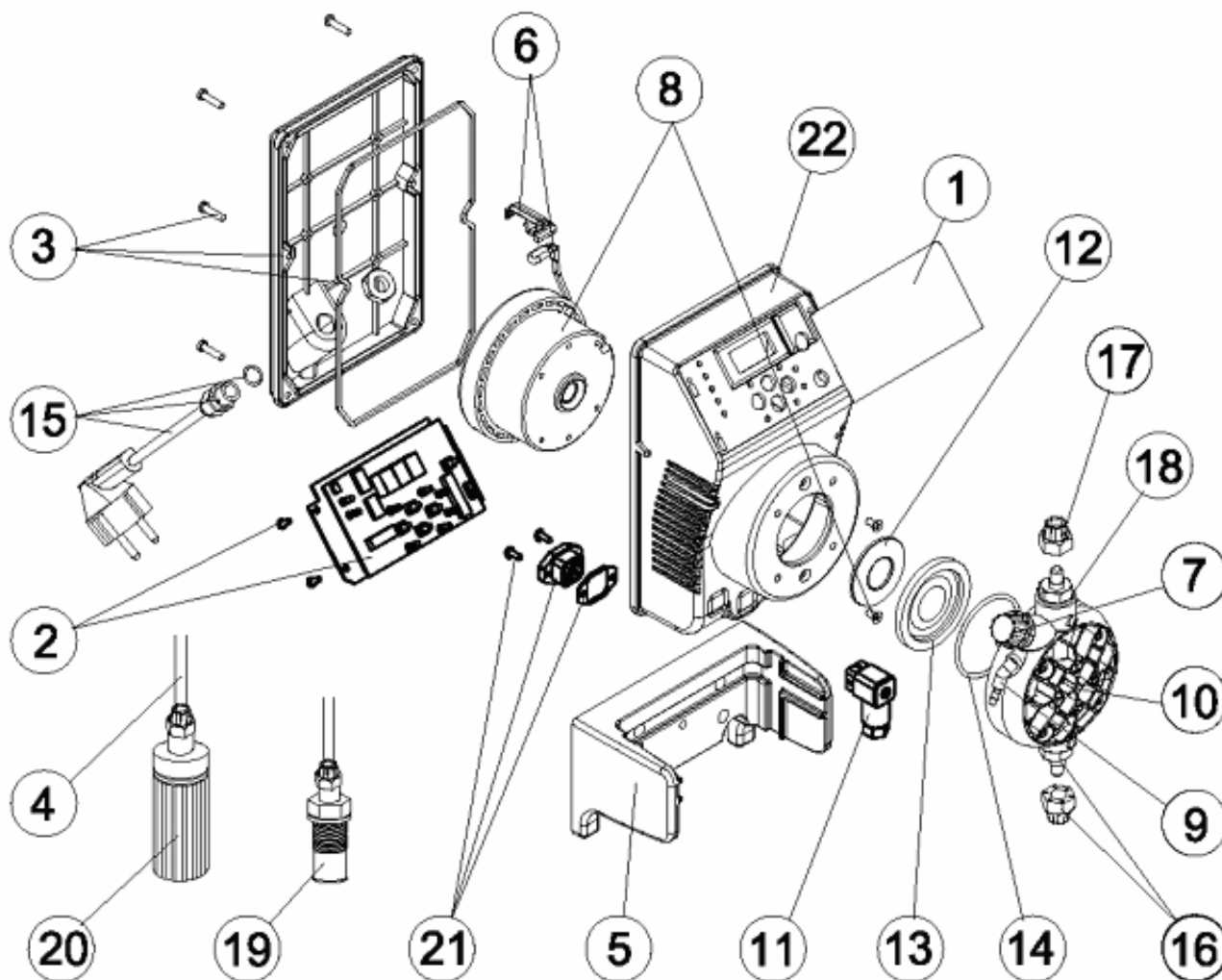
DESCRIPTION: **EXACTUS MANUAL PROPORTIONAL PUMP CC/MM**

## OBSERVATIONS

POS	CODE	OBSERVATIONS
2	4408031308	PARA 43491, 43492, 43493
2	4408032502	PARA 43494
8	4408030118	PARA 43491
8	4408031114	PARA 43492
8	4408030517	PARA 43493
8	4408032309	PARA 43494
10	4408031205	PARA 43491, 43492, 43493
10	4408030409	PARA 43494
12	4408031119	PARA 43491
12	4408030531	PARA 43492
12	4408031121	PARA 43493
12	4408031122	PARA 43494
13	4408030119	PARA 43491, 43492, 43493
13	4408030429	PARA 43494
14	4408030111	PARA 43491, 43492, 43493
14	4408030413	PARA 43494

CODICE **43491,43492,43493,43494**

DESCRIZIONE: **POMPA EXACTUS MANUALE PROPORZIONALE CC/M**



**ITALIANO**

POS	CODICE	DESCRIZIONE	POS	CODICE	DESCRIZIONE
1	4408032501	PANNELLO DIGITALE CC/M EXACTUS 2009	10	* 4408030409	TESTA COMPLETA 20L. 5KG.
2	* 4408031308	CIRCUITO ELETTRONICO CC/M. 230V	11	4408031729	CONNETTORE DI LIVELLO
2	* 4408032502	CIRCUITO ELETTRONICO CC/M 20L 5KG 2009	12	* 4408031119	RONDELLA PISTONE 2L 5KG - 2L 10KG - 5L 10KG
3	4408030025	COPRIVENTOLA POMPA EXACTUS	12	* 4408030531	RONDELLA PISTONE 5L 7KG
4	4408030122	TUBO DI ASPIRAZIONE/ MANDATA	12	* 4408031121	RONDELLA PISTONE 10L 5KG
5	4408032303	SUPPORTO POMPA EXACTUS 2009	12	* 4408031122	RONDELLA PISTONE 20L 5KG
6	4408032305	SUPPORTO + TERMOSTATO 110°	13	* 4408030119	MEMBRANA COMPLETA
7	4408032308	TAPPO SPURGO	13	* 4408030429	MEMBRANA COMPLETA 20L 5KG
8	* 4408030118	ELETTROCALAMITA COMPLETA 5L 7KG	14	* 4408030111	O-RING PER TESTA
8	* 4408031114	ELETTROCALAMITA 5L 10KG	14	* 4408030413	O-RING TESTA 20L 5KG
8	* 4408030517	ELETTROCALAMITA 10L 5KG	15	4408031221	CAVO DI ALIMENTAZIONE
8	* 4408032309	ELETTROCALAMITA 20L 5KG.	16	4408030112	CORPO RACCORDO + VALVOLA IN DUTRAL
9	4408031203	RACORDO SCARIO	16	4408030113	CORPO RACCORDO + VALVOLA IN VITON
10	* 4408031205	TESTA COMPLETA	16	4408030114	CORPO RACCORDO + VALVOLA IN SILICONE

**\* -> SI FACCIAMO RIFERIMENTO AL FOGLIO DELLE OSSERVAZIONI**

**CODICE 43491,43492,43493,43494**

**DESCRIZIONE: POMPA EXACTUS MANUALE PROPORZIONALE CC/M**

17	4408030126	GHIERA FISSAGGIO TUBO	19	4408030121	VALVOLA INIEZIONE COMPLETA
18	4408030115	VALVOLA DUTRAL + SUPPORTO	20	4408030123	FILTRO ASPIRAZIONE COMPLETO
18	4408030116	VALVOLA + SUPPORTO	21	4408031405	CONNETTORE MASCHIO
18	4408030117	VALVOLA SILICONE + SUPPORTO	22	57174R0001	CASSA POMPA EXACTUS

**CODICE 43491,43492,43493,43494**

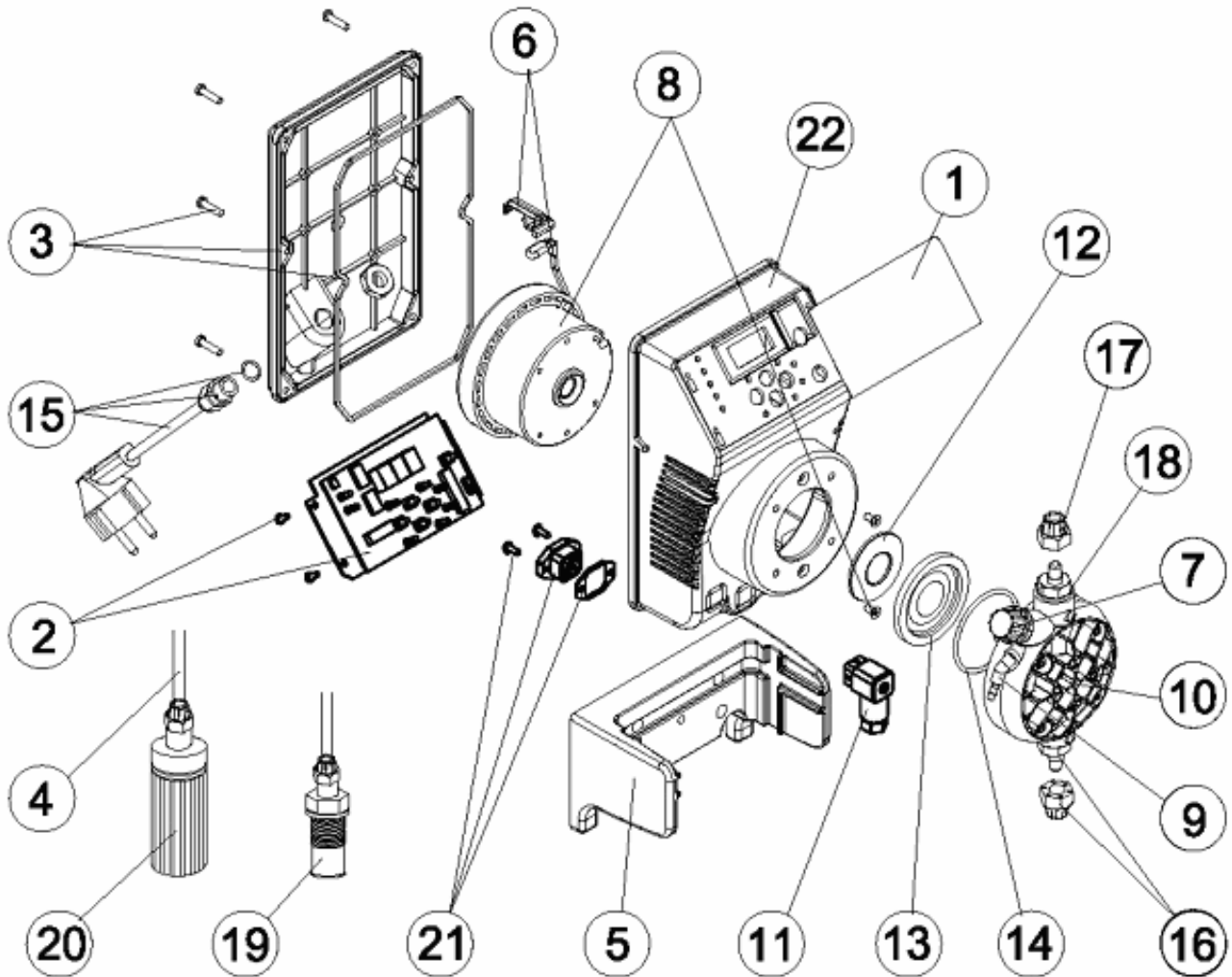
**DESCRIZIONE: POMPA EXACTUS MANUALE PROPORZIONALE CC/M**

## OSSERVAZIONI

POS	CODICE	OSSERVAZIONI
2	4408031308	PARA 43491, 43492, 43493
2	4408032502	PARA 43494
8	4408030118	PARA 43491
8	4408031114	PARA 43492
8	4408030517	PARA 43493
8	4408032309	PARA 43494
10	4408031205	PARA 43491, 43492, 43493
10	4408030409	PARA 43494
12	4408031119	PARA 43491
12	4408030531	PARA 43492
12	4408031121	PARA 43493
12	4408031122	PARA 43494
13	4408030119	PARA 43491, 43492, 43493
13	4408030429	PARA 43494
14	4408030111	PARA 43491, 43492, 43493
14	4408030413	PARA 43494

CODE **43491,43492,43493,43494**

BESCHREIBUNG: **PUMPE EXACTUS MANUELL PROPORTIONAL CC/M**



**DEUTSCH**

POS	CODE	BESCHREIBUNG	POS	CODE	BESCHREIBUNG
1	4408032501	TOUCHSCREN BEDIENFELD CC/M 2009	10	* 4408030409	KOPFSTÜCK KOMPLETT 20L. 5KG.
2	* 4408031308	PLATINE DOSIERPUMPE CC/M. 230V	11	4408031729	ANSCHLUSS NIVEAU
2	* 4408032502	PLATINE DOSIERPUMPE CC/M 20L 5KG 2009	12	* 4408031119	DOSIERKOPF DICHTUNG 2L 5KG - 2L 10KG - 5L 10KG
3	4408030025	DECKEL GEHÄUSE HINTEN	12	* 4408030531	DOSIERKOPF DICHTUNG 5L 7KG
4	4408030122	P/N-SCHLAUCH DOSIERPUMPE	12	* 4408031121	DOSIERKOPF DICHTUNG 10L 5KG
5	4408032303	PUMPENHALTERUNG 2009	12	* 4408031122	DOSIERKOPF DICHTUNG 20L 5KG
6	4408032305	BEFESTIGUNG UND THERMOSTAT 110°	13	* 4408030119	MEMBRANE KOMPLETT
7	4408032308	ENTLÜFTUNGSSCHRAUBE	13	* 4408030429	MEMBRANE KOMPLETT 20L 5KG
8	* 4408030118	ELEKTROMAGNET KOMPLETT 5L 7KG	14	* 4408030111	O-RING KOPFSTÜCK
8	* 4408031114	ELEKTROMAGNET 5L 10KG	14	* 4408030413	O-RING KOPFSTÜCK 20L 5KG
8	* 4408030517	ELEKTROMAGNET 10L 5KG	15	4408031221	KABEL DOSIERPUMPE
8	* 4408032309	ELEKTROMAGNET 20L 5KG	16	4408030112	VENTILSATZ DUTRAL
9	4408031203	BEHÄLTERVERSCHRAUBUNGSSATZ	16	4408030113	VENTILSATZ VITON
10	* 4408031205	KOPFSTÜCK KOMPLETT	16	4408030114	VENTILSATZ SILIKON

\* -> SIEHE ANMERKUNGSBLATT

CODE **43491,43492,43493,43494**

BESCHREIBUNG: **PUMPE EXACTUS MANUELL PROPORTIONAL CC/M**

17	4408030126	ÜBERWURFMUTTERN SAUG-/DRUCKVENTIL	19	4408030121	IMPFVENTIL KOMPLETT
18	4408030115	VENTIL DUTRAL	20	4408030123	SAUG-FILTER KOMPLETT
18	4408030116	VENTIL VITON	21	4408031405	ANSCHLUSS-STECKER
18	4408030117	VENTIL SILIKON	22	57174R0001	GEHÄUSE DOSIERPUMPE EXACTUS

CODE **43491,43492,43493,43494**

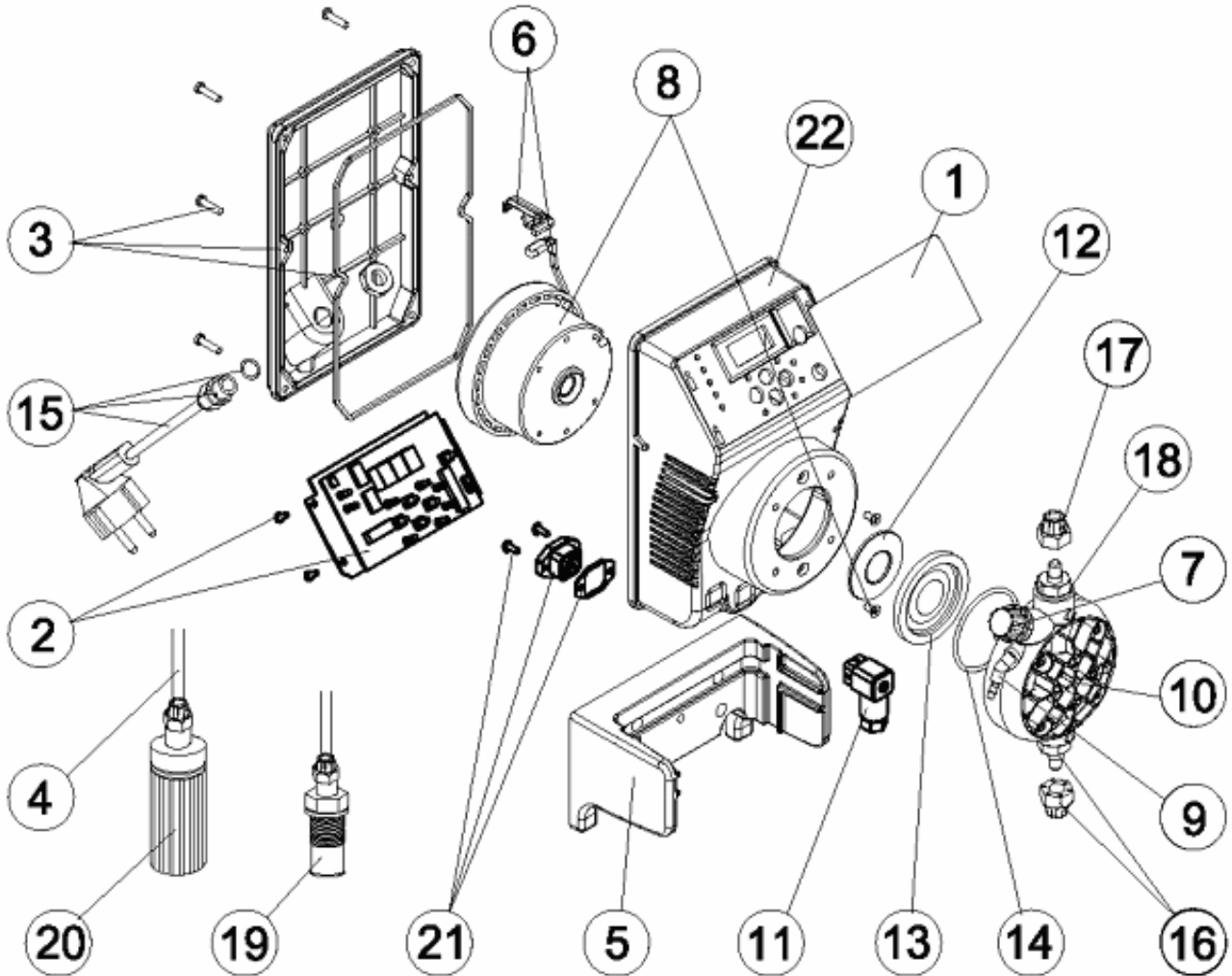
BESCHREIBUNG: **PUMPE EXACTUS MANUELL PROPORTIONAL CC/M**

**HINWEISE**

POS	CODE	HINWEISE
2	4408031308	PARA 43491, 43492, 43493
2	4408032502	PARA 43494
8	4408030118	PARA 43491
8	4408031114	PARA 43492
8	4408030517	PARA 43493
8	4408032309	PARA 43494
10	4408031205	PARA 43491, 43492, 43493
10	4408030409	PARA 43494
12	4408031119	PARA 43491
12	4408030531	PARA 43492
12	4408031121	PARA 43493
12	4408031122	PARA 43494
13	4408030119	PARA 43491, 43492, 43493
13	4408030429	PARA 43494
14	4408030111	PARA 43491, 43492, 43493
14	4408030413	PARA 43494

CODIGO **43491,43492,43493,43494**

DESCRIÇÃO: **BOMBA EXACTUS MANUAL PROPORCIONAL CC/M**



**PORTUGUES**

POS	CODIGO	DESCRIÇÃO	POS	CODIGO	DESCRIÇÃO
1	4408032501	PAINEL DIGITAL TÁCTIL CC/M EXACTUS 2009	10	* 4408030409	CABEÇAL COMPLETO 20L. 5KG.
2	* 4408031308	CIRCUITO ELECTRONICO CC/M. 230V.	11	4408031729	LIGAÇÃO NIVEL
2	* 4408032502	CIRCUITO ELECTRONICO CC/M 20L 5KG 2009	12	* 4408031119	ANILHA PISTON 2L 5KG - 2L 10KG - 5L 10KG
3	4408030025	TAMPA TRASEIRA BOMBA EXACTUS	12	* 4408030531	ANILHA PISTON 5L 7KG
4	4408030122	TUBO ASPIRAÇÃO/IMPULSÃO	12	* 4408031121	ANILHA PISTON 10L 5KG
5	4408032303	SUPORTE BOMBA EXACTUS 2009	12	* 4408031122	ANILHA PISTON 20L 5KG
6	4408032305	SUPORTE MAIS TERMOSTATO DE 110°	13	* 4408030119	MEMBRANA COMPLETA
7	4408032308	TAMPÃO PURGA	13	* 4408030429	MEMBRANA COMPLETA 20L 5KG
8	* 4408030118	ELECTROIMAN COMPLETO 5L 7KG	14	* 4408030111	JUNTA TORICA CABEÇAL
8	* 4408031114	ELECTROIMAN 5L 10KG	14	* 4408030413	JUNTA TORICA CABEÇAL 20L 5KG
8	* 4408030517	ELECTROIMAN 10L 5KG	15	4408031221	CABO ALIMENTAÇÃO
8	* 4408032309	ELECTROIMAN 20L. 5KG	16	4408030112	CORPO RACORD + DUTRAL
9	4408031203	RACCORD PURGA	16	4408030113	CORPO RACORD + VITON
10	* 4408031205	CABEÇAL COMPLETO	16	4408030114	CORPO RACORD + SILICONE

**\* -> VEJA A FICHA DE OBSERVAÇÕES**



**CODIGO 43491,43492,43493,43494**

**DESCRIÇÃO: BOMBA EXACTUS MANUAL PROPORCIONAL CC/M**

17	4408030126	PORCA SUJEIÇÃO TUBO	19	4408030121	INJECTOR COMPLETO
18	4408030115	VÁLVULA DUTRAL + SUPORTE	20	4408030123	FILTRO ASPIRAÇÃO COMPLETO
18	4408030116	VÁLVULA VITON + SUPORTE	21	4408031405	LIGAÇÃO MACHO
18	4408030117	VÁLVULA SILICONE + SUPORTE	22	57174R0001	CAIXA BOMBA EXACTUS

**CODIGO 43491,43492,43493,43494**

**DESCRIÇÃO: BOMBA EXACTUS MANUAL PROPORCIONAL CC/M**

### OBSERVAÇÕES

POS	CODIGO	OBSERVAÇÕES
2	4408031308	PARA 43491, 43492, 43493
2	4408032502	PARA 43494
8	4408030118	PARA 43491
8	4408031114	PARA 43492
8	4408030517	PARA 43493
8	4408032309	PARA 43494
10	4408031205	PARA 43491, 43492, 43493
10	4408030409	PARA 43494
12	4408031119	PARA 43491
12	4408030531	PARA 43492
12	4408031121	PARA 43493
12	4408031122	PARA 43494
13	4408030119	PARA 43491, 43492, 43493
13	4408030429	PARA 43494
14	4408030111	PARA 43491, 43492, 43493
14	4408030413	PARA 43494