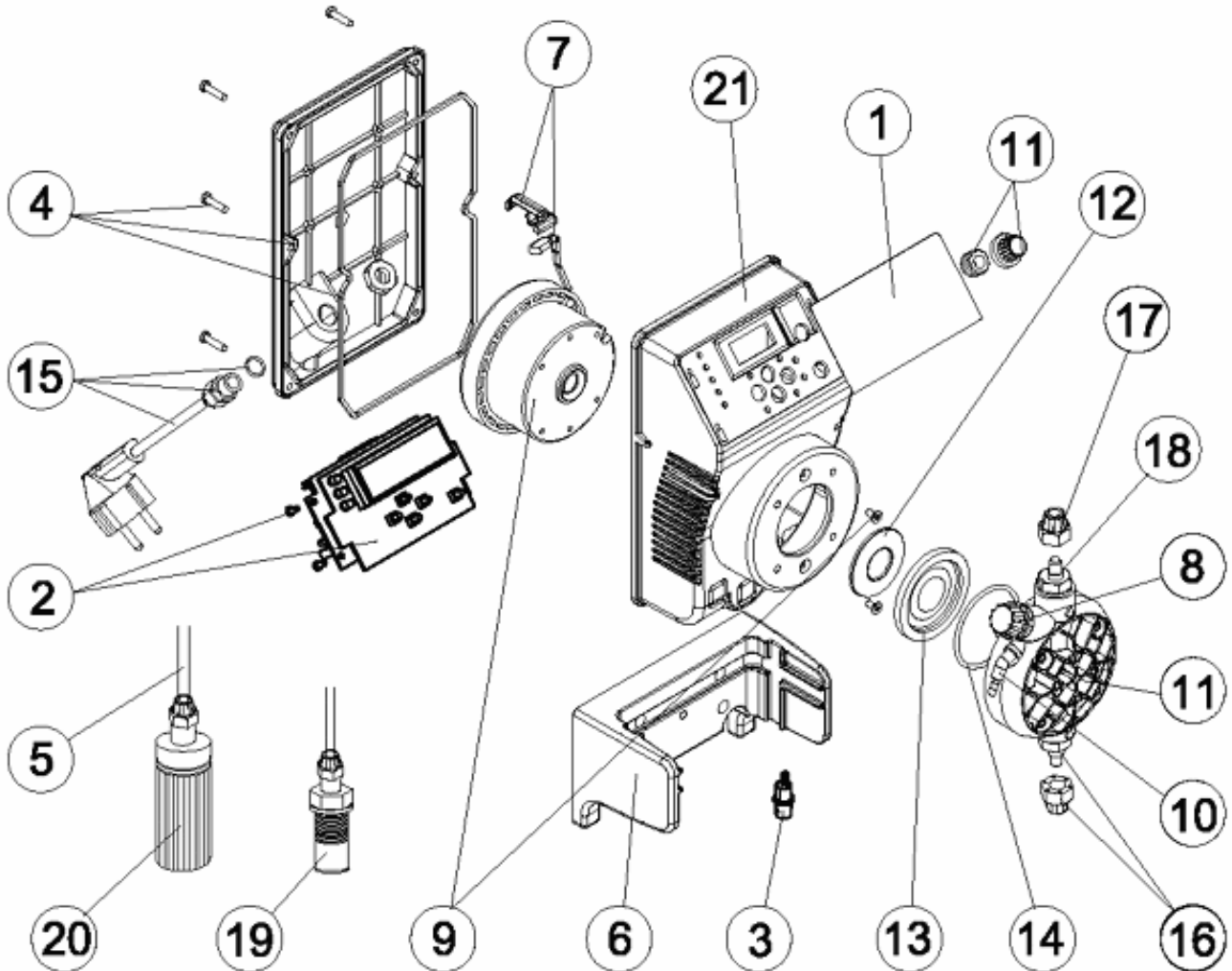


CODIGO **43495,43496,43497**

DESCRIPCION: **BOMBA EXACTUS PH/RX**



**ESPAÑOL**

POS	CODIGO	DESCRIPCION	POS	CODIGO	DESCRIPCION
1	4408032601	PANEL TACTIL PH/RX EXACTUS 2009	12	* 4408030531	ARANDELA PISTON 5L 7KG
2	4408032602	CIRCUITO ELECTRONICO PH/RX. 230/240V.	12	* 4408031121	ARANDELA PISTON 10L 5KG
3	4408032603	CONECTOR HEMBRA BNC EXACTUS 2009	13	4408030119	MEMBRANA COMPLETA
4	4408030025	TAPA POSTERIOR EXACTUS CON JUNTA	14	4408030111	JUNTA TORICA CABEZAL
5	4408030122	TUBO ASPIRACION/IMPULSION	15	4408031221	CABLE ALIMENTACION
6	4408032303	SOPORTE EXACTUS 2009	16	4408030112	CUERPO RACORD + DUTRAL
7	4408032305	SOPORTE MAS TERMOSTADO 110°	16	4408030113	CUERPO RACORD + VITON
8	4408032308	TAPON PURGA CABEZAL CP STD	16	4408030114	CUERPO RACORD + SILICONA
9	* 4408030118	ELECTROIMAN COMPLETO 5L 7KG	17	4408030126	TUERCA SUJECCION TUBO
9	* 4408031114	ELECTROIMAN 5L 10KG	18	4408030115	VALVULA DUTRAL + SOPORTE
9	* 4408030517	ELECTROIMAN 10L 5KG	18	4408030116	VALVULA VITON + SOPORTE
10	4408031203	RACOR PURGA CABEZAL	18	4408030117	VALVULA SILICONA + SOPORTE
11	4408031205	CABEZAL COMPLETO	19	4408030121	VALVULA INYECCION COMPLETA
12	* 4408031119	ARANDELA PISTON 2L 5KG - 2L 10KG - 5L 10KG	20	4408030123	FILTRO ASPIRACION COMPLETO

**\* -> VER HOJA DE OBSERVACIONES**

CODIGO **43495,43496,43497**

DESCRIPCION: **BOMBA EXACTUS PH/RX**

21	57174R0001	CAJA EXACTUS			
----	------------	--------------	--	--	--

**CODIGO 43495,43496,43497**

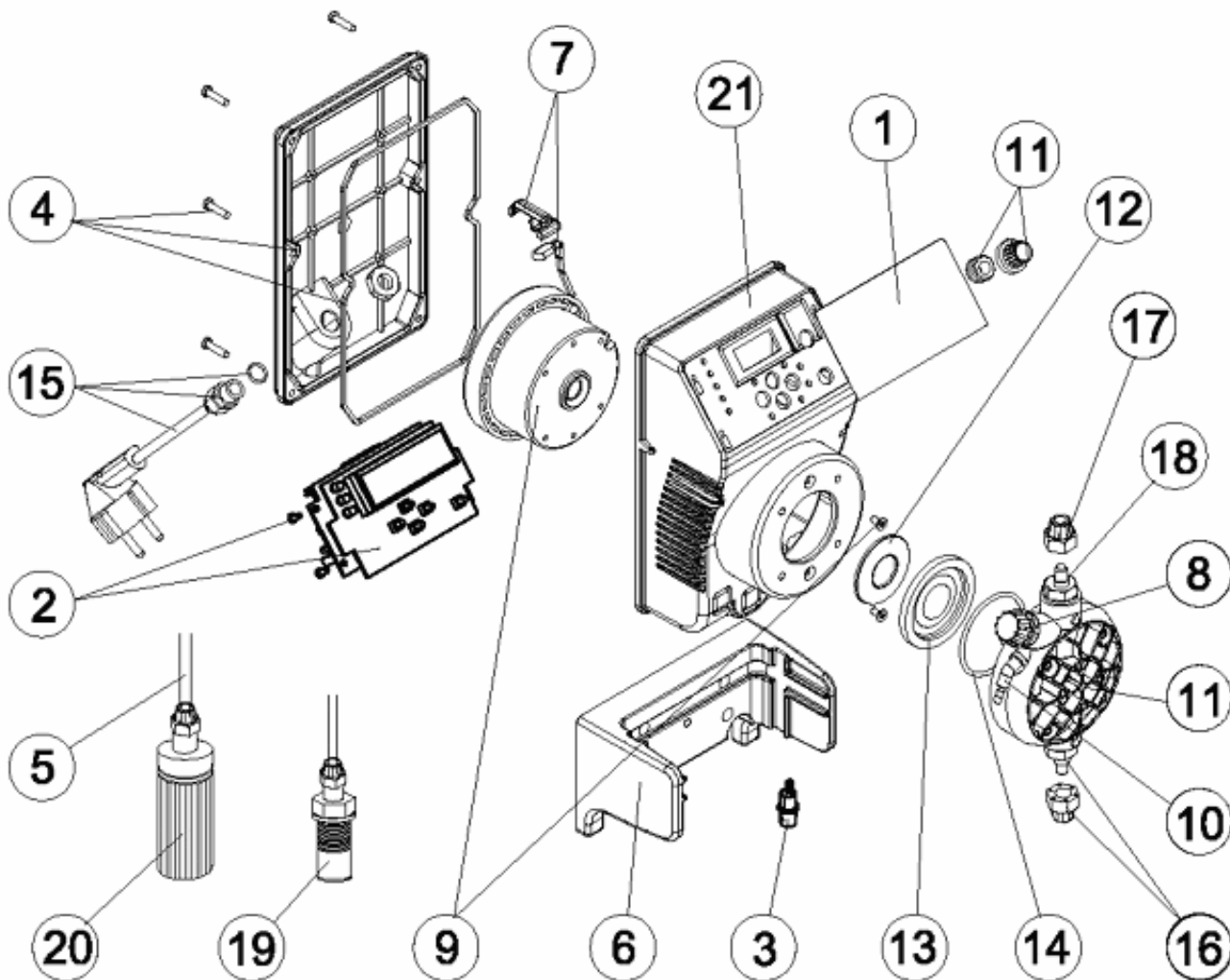
**DESCRIPCION: BOMBA EXACTUS PH/RX**

**OBSERVACIONES**

POS	CODIGO	OBSERVACIONES
9	4408030118	PARA 43495
9	4408031114	PARA 43496
9	4408030517	PARA 43497
12	4408031119	PARA 43495
12	4408030531	PARA 43496
12	4408031121	PARA 43497

CODE 43495,43496,43497

DESCRIPTION: POMPE EXACTUS PH/RX



FRANCAIS

POS	CODE	DESCRIPTION	POS	CODE	DESCRIPTION
1	4408032601	TABLEAU DE CONTROLE TACTILE PH/RX EXACTUS ;	12	* 4408030531	RONDELLE PISTON 5L 7KG
2	4408032602	CIRCUIT ELECTRONIQUE PH/RX. 2009	12	* 4408031121	RONDELLE PISTON 10L 5KG
3	4408032603	CONNEXION FEMELLE BCN EXACTUS 2009	13	4408030119	MEMBRANE COMPLETE
4	4408030025	COUVERCLE POMPE EXACTUS	14	4408030111	JOINT TORIQUE TETE
5	4408030122	TUBE ASPIRATION/IMPULSION	15	4408031221	CABLE ALIMENTATION
6	4408032303	SUPPORT DE POMPE EXACTUS 2009	16	4408030112	CORPS RACCORD + CLAPET DUTRAL
7	4408032305	SUPPORT + THERMOSTAT DE 110 °	16	4408030113	CORPS RACCORD + CLAPET VITON
8	4408032308	BOUCHON PURGE	16	4408030114	CORPS RACCORD + CLAPET SILICONE
9	* 4408030118	ELECTROAIMANT COMPLETO 5L 7KG	17	4408030126	ECROU DE TUBE D'ASPIRATION
9	* 4408031114	ELECTROAIMANT 5L 10KG	18	4408030115	CLAPET DUTRAL + SUPPORT
9	* 4408030517	ELECTROAIMANT 10L 5KG	18	4408030116	CLAPET VITON + SUPPORT
10	4408031203	RACCOR PURGE	18	4408030117	CLAPET SILICONA + SUPPORT
11	4408031205	TETE COMPLET	19	4408030121	VANNE INJECTION COMPLETE
12	* 4408031119	RONDELLE PISTON 2L 5KG - 2L 10KG - 5L 10KG	20	4408030123	FILTRE ASPIRATION COMPLETE

\* -> VOIR FICHE D'OBSERVATIONS

CODE **43495,43496,43497**

DESCRIPTION: **POMPE EXACTUS PH/RX**

21	57174R0001	BOITIER DE POMPE EXACTUS			
----	------------	--------------------------	--	--	--

CODE **43495,43496,43497**

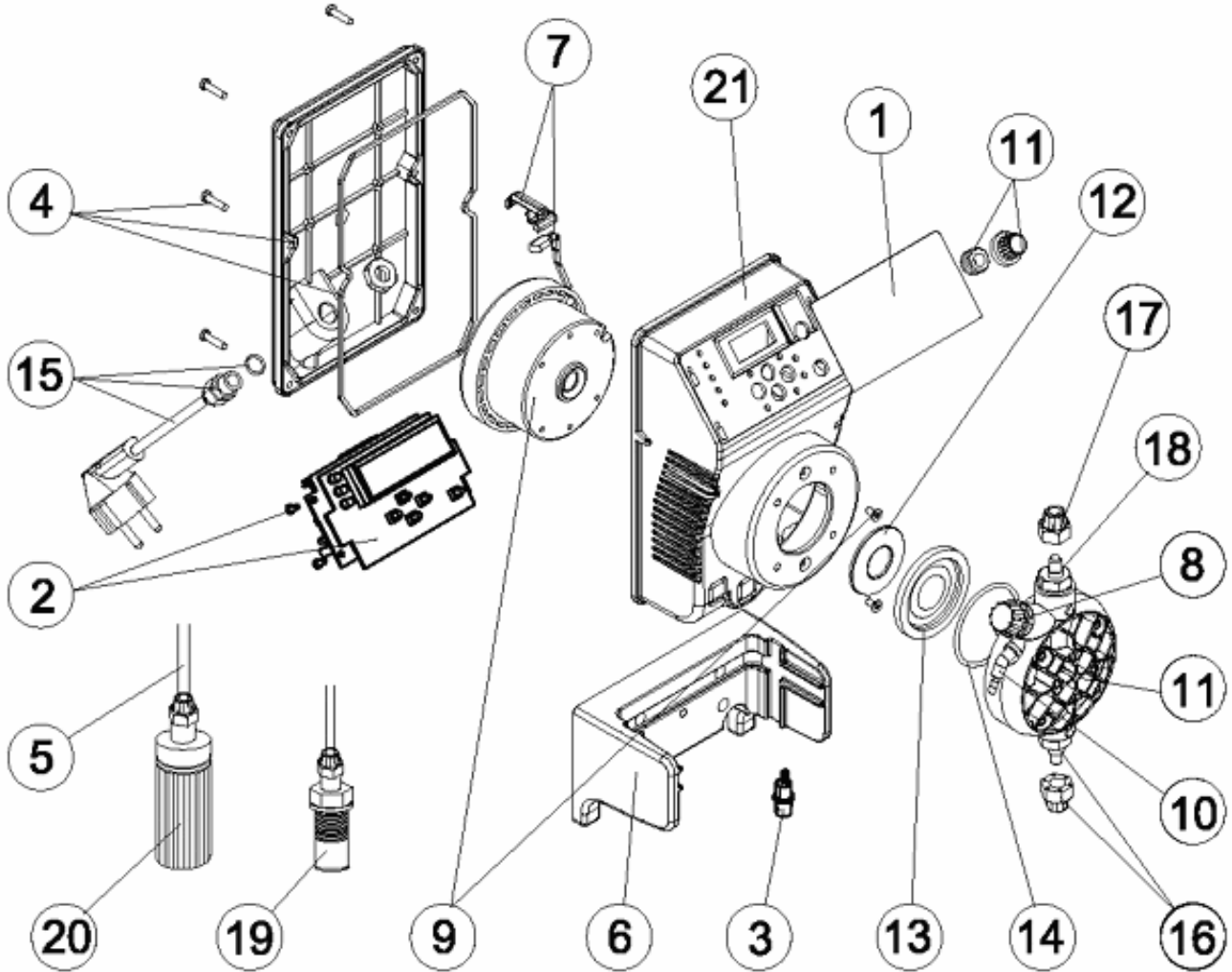
DESCRIPTION: **POMPE EXACTUS PH/RX**

## OBSERVATIONS

POS	CODE	OBSERVATIONS
9	4408030118	PARA 43495
9	4408031114	PARA 43496
9	4408030517	PARA 43497
12	4408031119	PARA 43495
12	4408030531	PARA 43496
12	4408031121	PARA 43497

CODE **43495,43496,43497**

DESCRIPTION: **EXACTUS PUMP PH/RX**



**ENGLISH**

POS	CODE	DESCRIPTION	POS	CODE	DESCRIPTION
1	4408032601	TOUCH SCREEN PANEL PH/RX 2009	12	* 4408030531	PISTON WASHER 5L 7KG
2	4408032602	ELECTRONIC CIRCUIT PH/RX 2009	12	* 4408031121	PISTON WASHER 10L 5KG
3	4408032603	FEMALE CONNECTOR BCN EXACTUS 2009	13	4408030119	DIAPHRAM COMPLETE
4	4408030025	PUMP REAR COVER	14	4408030111	HEAD O RING
5	4408030122	SUCTION/RETURN TUBE	15	4408031221	SUPPLY CABLE
6	4408032303	PUMP SUPPORT 2009	16	4408030112	HEAD CONNECTOR BODY + DUTRAL
7	4408032305	SUPPORT AND THERMOSTAT 110°	16	4408030113	HEAD CONNECTOR BODY + VITON
8	4408032308	DRAIN PLUG	16	4408030114	HEAD CONNECTOR BODY + SILICON
9	* 4408030118	ELECTROMAGNET ASSEMBLY COMPLETEO 5L 7KG	17	4408030126	SUCTION TUBE NUT
9	* 4408031114	ELECTROMAGNET 5L 10KG	18	4408030115	DUTRAL VALVE + SUPPORT
9	* 4408030517	ELECTROMAGNET 10L 5KG	18	4408030116	VITON VALVE + SUPPORT
10	4408031203	PURGE FITTING	18	4408030117	SILICON VALVE + SUPPORT
11	4408031205	COMPLETE HEAD ASSEMBLY	19	4408030121	INJECTOR VALVE ASSEMBLY
12	* 4408031119	PISTON WASHER 2L 5KG - 2L 10KG - 5L 10KG	20	4408030123	FILTER ASSEMBLY

\* -> SEE OBSERVATIONS SHEET

CODE **43495,43496,43497**

DESCRIPTION: **EXACTUS PUMP PH/RX**

21	57174R0001	EXACTUS PUMP BOX			
----	------------	------------------	--	--	--



CODE **43495,43496,43497**

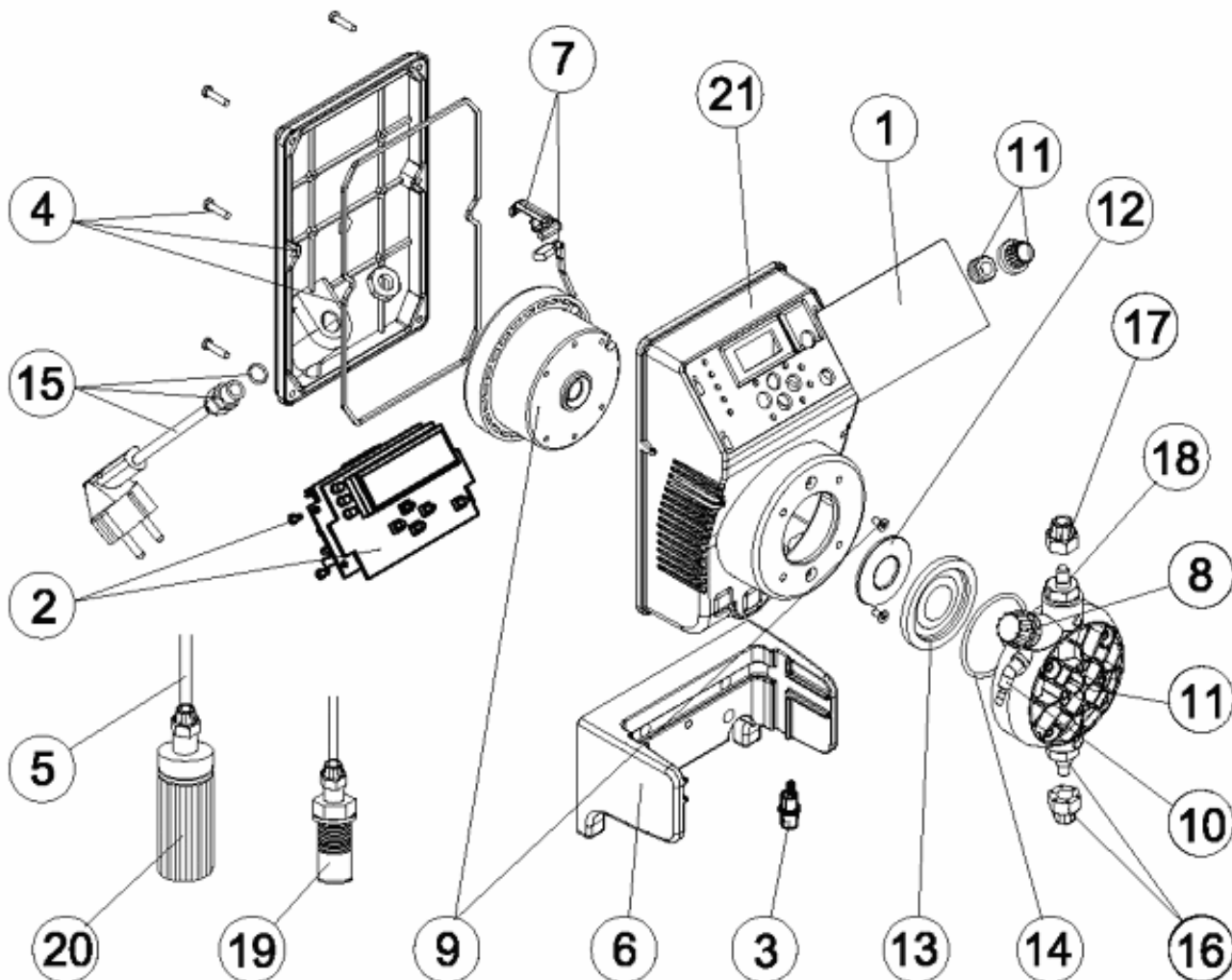
DESCRIPTION: **EXACTUS PUMP PH/RX**

### OBSERVATIONS

POS	CODE	OBSERVATIONS
9	4408030118	PARA 43495
9	4408031114	PARA 43496
9	4408030517	PARA 43497
12	4408031119	PARA 43495
12	4408030531	PARA 43496
12	4408031121	PARA 43497

CODICE 43495,43496,43497

DESCRIZIONE: POMPA EXACTUS PH/RX



ITALIANO

POS	CODICE	DESCRIZIONE	POS	CODICE	DESCRIZIONE
1	4408032601	PANNELLO DIGITALE PH/RX EXACTUS 2009	12	* 4408030531	RONDELLA PISTONE 5L 7KG
2	4408032602	CIRCUITO ELETTRONICO PH/RX. 2009	12	* 4408031121	RONDELLA PISTONE 10L 5KG
3	4408032603	CONNETTORE FEMMINA BCN EXACTUS 2009	13	4408030119	MEMBRANA COMPLETA
4	4408030025	COPRIVENTOLA POMPA EXACTUS	14	4408030111	O-RING PER TESTA
5	4408030122	TUBO DI ASPIRAZIONE/ MANDATA	15	4408031221	CAVO DI ALIMENTAZIONE
6	4408032303	SUPPORTO POMPA EXACTUS 2009	16	4408030112	CORPO RACCORDO + VALVOLA IN DUTRAL
7	4408032305	SUPPORTO + TERMOSTATO 110°	16	4408030113	CORPO RACCORDO + VALVOLA IN VITON
8	4408032308	TAPPO SPURGO	16	4408030114	CORPO RACCORDO + VALVOLA IN SILICONE
9	* 4408030118	ELETTROCALAMITA COMPLETA 5L 7KG	17	4408030126	GHIERA FISSAGGIO TUBO
9	* 4408031114	ELETTROCALAMITA 5L 10KG	18	4408030115	VALVOLA DUTRAL + SUPPORTO
9	* 4408030517	ELETTROCALAMITA 10L 5KG	18	4408030116	VALVOLA + SUPPORTO
10	4408031203	RACORDO SCARIO	18	4408030117	VALVOLA SILICONE + SUPPORTO
11	4408031205	TESTA COMPLETA	19	4408030121	VALVOLA INIEZIONE COMPLETA
12	* 4408031119	RONDELLA PISTONE 2L 5KG - 2L 10KG - 5L 10KG	20	4408030123	FILTRO ASPIRAZIONE COMPLETO

\* -> SI FACCIA RIFERIMENTO AL FOGLIO DELLE OSSERVAZIONI

**CODICE**                    **43495,43496,43497**

**DESCRIZIONE: POMPA EXACTUS PH/RX**

21	57174R0001	CASSA POMPA EXACTUS			
----	------------	---------------------	--	--	--

**CODICE 43495,43496,43497**

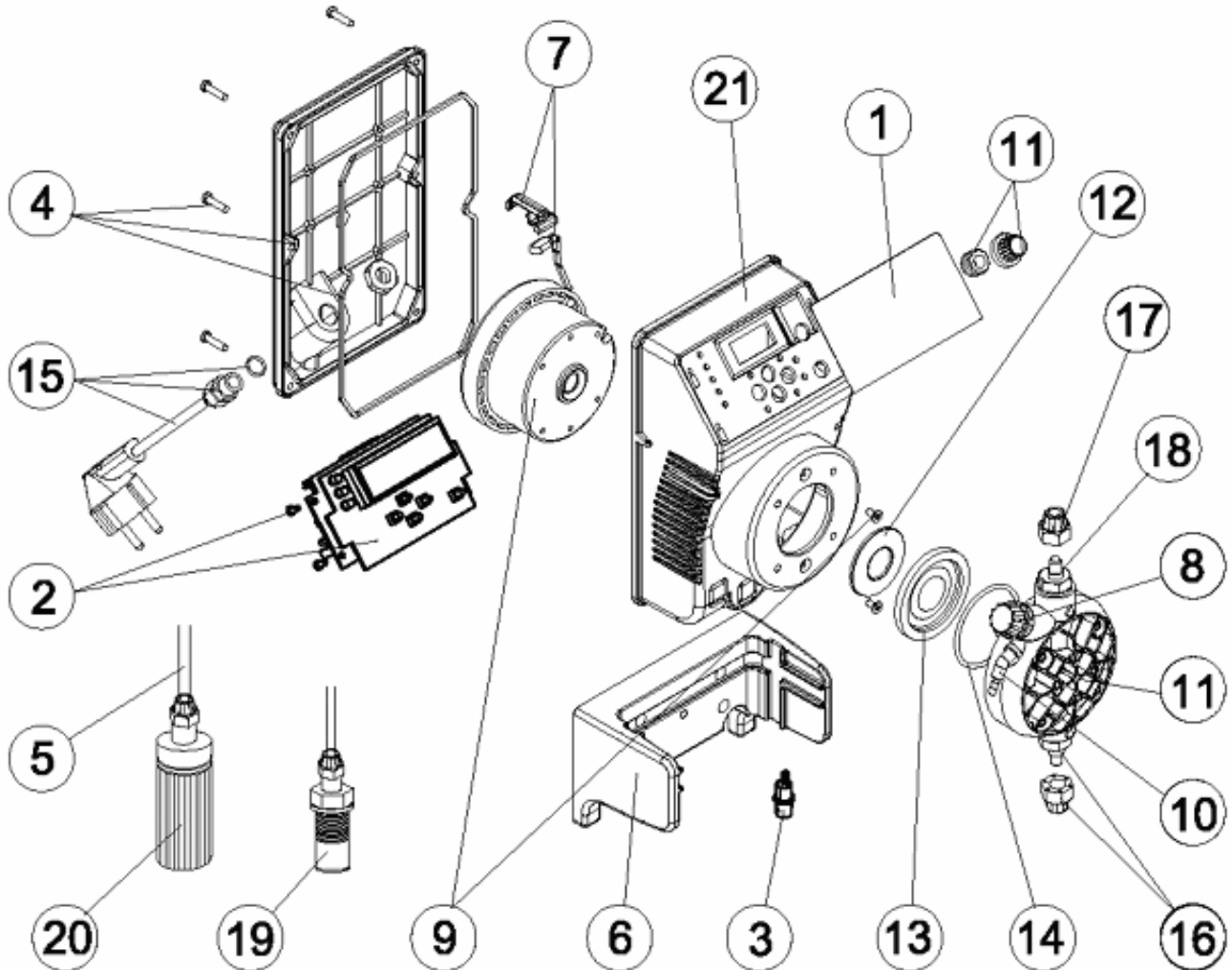
**DESCRIZIONE: POMPA EXACTUS PH/RX**

**OSSERVAZIONI**

POS	CODICE	OSSERVAZIONI
9	4408030118	PARA 43495
9	4408031114	PARA 43496
9	4408030517	PARA 43497
12	4408031119	PARA 43495
12	4408030531	PARA 43496
12	4408031121	PARA 43497

CODE 43495,43496,43497

BESCHREIBUNG: PUMPE EXACTUS PH/RX



DEUTSCH

POS	CODE	BESCHREIBUNG	POS	CODE	BESCHREIBUNG
1	4408032601	TOUCHSCREN BEDIENFELD PH/RX 2009	12	* 4408030531	DOSIERKOPF DICHTUNG 5L 7KG
2	4408032602	PLATINE DOSIERPUMPE PH/RX. 2009	12	* 4408031121	DOSIERKOPF DICHTUNG 10L 5KG
3	4408032603	ANSCHLUSS INNENGEWINDE BCN EXACTUS 2009	13	4408030119	MEMBRANE KOMPLETT
4	4408030025	DECKEL GEHÄUSE HINTEN	14	4408030111	O-RING KOPFSTÜCK
5	4408030122	P/N-SCHLAUCH DOSIERPUMPE	15	4408031221	KABEL DOSIERPUMPE
6	4408032303	PUMPENHALTERUNG 2009	16	4408030112	VENTILSATZ DUTRAL
7	4408032305	BEFESTIGUNG UND THERMOSTAT 110°	16	4408030113	VENTILSATZ VITON
8	4408032308	ENTLÜFTUNGSSCHRAUBE	16	4408030114	VENTILSATZ SILIKON
9	* 4408030118	ELEKTROMAGNET KOMPLETT 5L 7KG	17	4408030126	ÜBERWURFMUTTERN SAUG-/DRUCKVENTIL
9	* 4408031114	ELEKTROMAGNET 5L 10KG	18	4408030115	VENTIL DUTRAL
9	* 4408030517	ELEKTROMAGNET 10L 5KG	18	4408030116	VENTIL VITON
10	4408031203	BEHÄLTERVERSCHRAUBUNGSSATZ	18	4408030117	VENTIL SILIKON
11	4408031205	KOPFSTÜCK KOMPLETT	19	4408030121	IMPFVENTIL KOMPLETT
12	* 4408031119	DOSIERKOPF DICHTUNG 2L 5KG - 2L 10KG - 5L 10KG	20	4408030123	SAUG-FILTER KOMPLETT

\* -> SIEHE ANMERKUNGSBLATT

CODE **43495,43496,43497**

BESCHREIBUNG: **PUMPE EXACTUS PH/RX**

21	57174R0001	GEHÄUSE DOSIERPUMPE EXACTUS			
----	------------	-----------------------------	--	--	--

CODE **43495,43496,43497**

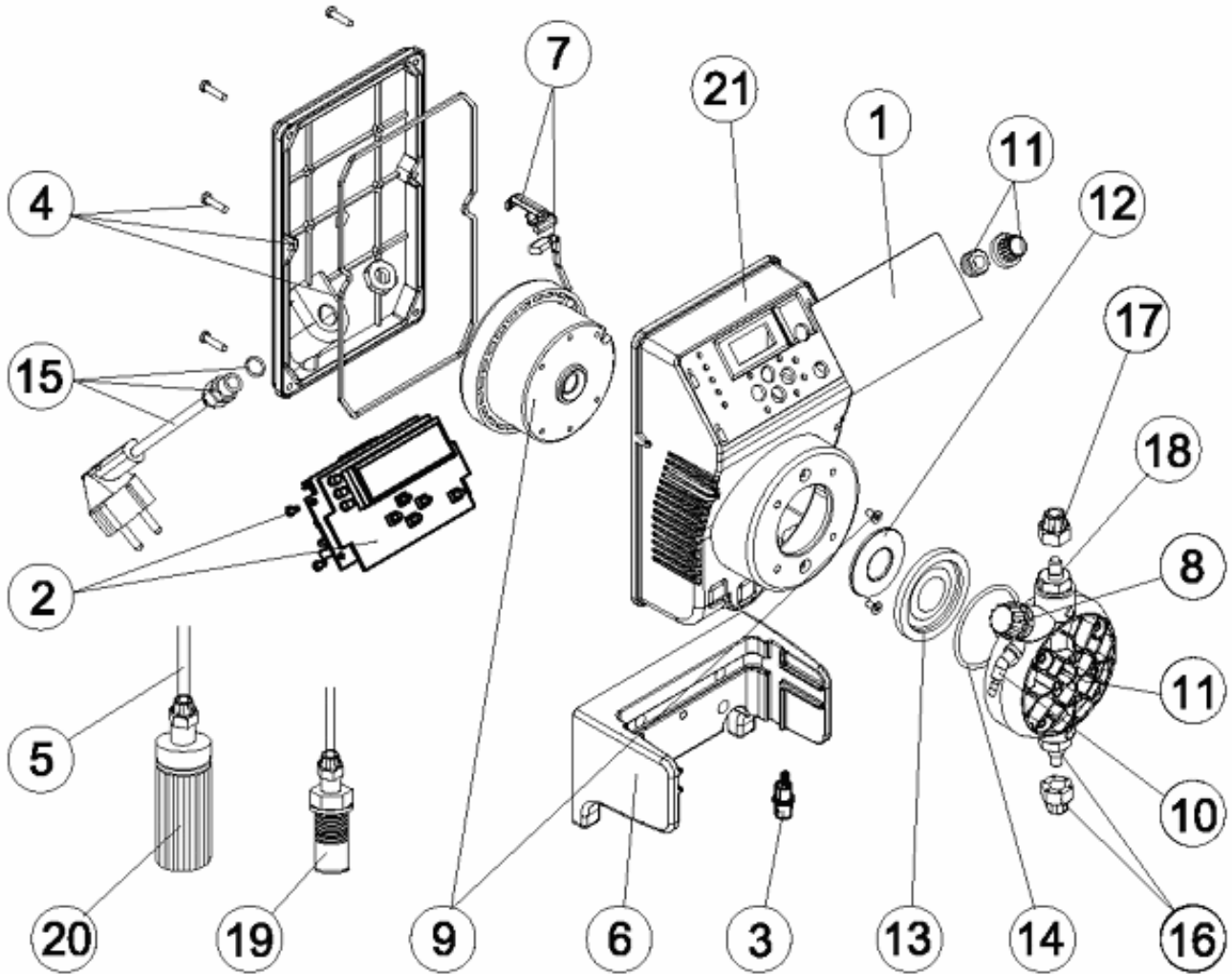
BESCHREIBUNG: **PUMPE EXACTUS PH/RX**

**HINWEISE**

POS	CODE	HINWEISE
9	4408030118	PARA 43495
9	4408031114	PARA 43496
9	4408030517	PARA 43497
12	4408031119	PARA 43495
12	4408030531	PARA 43496
12	4408031121	PARA 43497

CODIGO **43495,43496,43497**

DESCRIÇÃO: **BOMBA EXACTUS PH/RX**



**PORTUGUES**

POS	CODIGO	DESCRIÇÃO	POS	CODIGO	DESCRIÇÃO
1	4408032601	PAINEL DIGITAL TÁCTIL PH/RX EXACTUS 2009	12	* 4408030531	ANILHA PISTON 5L 7KG
2	4408032602	CIRCUITO ELECTRONICO PH/RX. 2009	12	* 4408031121	ANILHA PISTON 10L 5KG
3	4408032603	LIGAÇÃO FÊMEA BCN. EXACTUS 2009	13	4408030119	MEMBRANA COMPLETA
4	4408030025	TAMPA TRASEIRA BOMBA EXACTUS	14	4408030111	JUNTA TORICA CABEÇAL
5	4408030122	TUBO ASPIRAÇÃO/IMPULSÃO	15	4408031221	CABO ALIMENTAÇÃO
6	4408032303	SUPORTE BOMBA EXACTUS 2009	16	4408030112	CORPO RACORD + DUTRAL
7	4408032305	SUPORTE MAIS TERMOSTATO DE 110°	16	4408030113	CORPO RACORD + VITON
8	4408032308	TAMPÃO PURGA	16	4408030114	CORPO RACORD + SILICONE
9	* 4408030118	ELECTROIMAN COMPLETO 5L 7KG	17	4408030126	PORCA SUJEIÇÃO TUBO
9	* 4408031114	ELECTROIMAN 5L 10KG	18	4408030115	VÁLVULA DUTRAL + SUPORTE
9	* 4408030517	ELECTROIMAN 10L 5KG	18	4408030116	VÁLVULA VITON + SUPORTE
10	4408031203	RACCORD PURGA	18	4408030117	VÁLVULA SILICONE + SUPORTE
11	4408031205	CABEÇAL COMPLETO	19	4408030121	INJECTOR COMPLETO
12	* 4408031119	ANILHA PISTON 2L 5KG - 2L 10KG - 5L 10KG	20	4408030123	FILTRO ASPIRAÇÃO COMPLETO

**\* -> VEJA A FICHA DE OBSERVAÇÕES**



**CODIGO 43495,43496,43497**

**DESCRIÇÃO: BOMBA EXACTUS PH/RX**

21	57174R0001	CAIXA BOMBA EXACTUS			
----	------------	---------------------	--	--	--

**CODIGO 43495,43496,43497**

**DESCRIÇÃO: BOMBA EXACTUS PH/RX**

**OBSERVAÇÕES**

POS	CODIGO	OBSERVAÇÕES
9	4408030118	PARA 43495
9	4408031114	PARA 43496
9	4408030517	PARA 43497
12	4408031119	PARA 43495
12	4408030531	PARA 43496
12	4408031121	PARA 43497