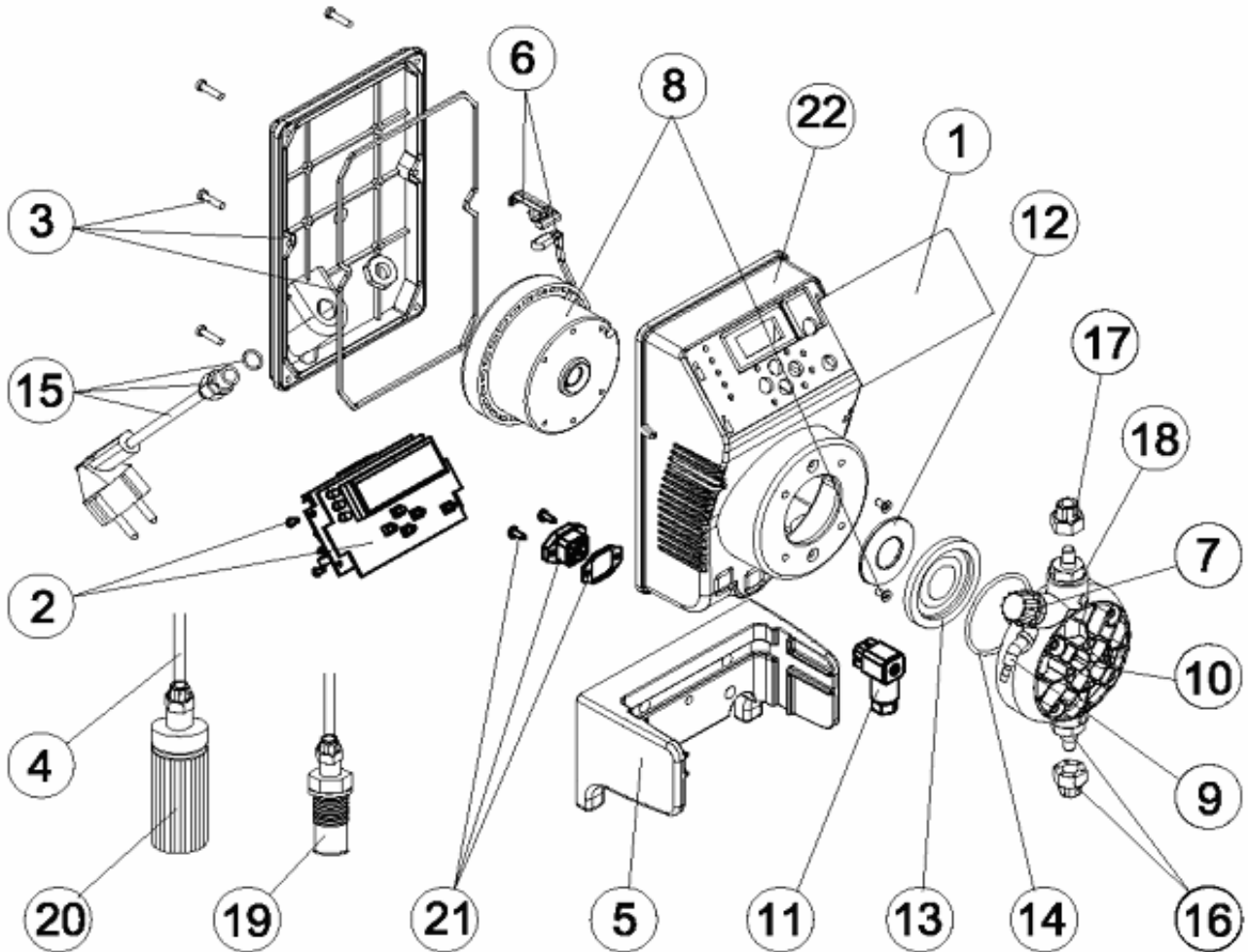


CODIGO 43498,43499,43500

DESCRIPCION: BOMBA EXACTUS CL/M



ESPAÑOL

POS	CODIGO	DESCRIPCION	POS	CODIGO	DESCRIPCION
1	4408032701	PANEL TACTIL CL/M EXACTUS 2009	12	* 4408030531	ARANDELA PISTON 5L 7KG
2	4408032702	CIRCUITO ELECTRONICO CL/M 2009	12	* 4408031121	ARANDELA PISTON 10L 5KG
3	4408030025	TAPA POSTERIOR EXACTUS CON JUNTA	13	4408030119	MEMBRANA COMPLETA
4	4408030122	TUBO ASPIRACION/IMPULSION	14	4408030111	JUNTA TORICA CABEZAL
5	4408032303	SOPORTE EXACTUS 2009	15	4408031221	CABLE ALIMENTACION
6	4408032305	SOPORTE MAS TERMOSTADO 110°	16	4408030112	CUERPO RACORD + DUTRAL
7	4408032308	TAPON PURGA CABEZAL CP STD	16	4408030113	CUERPO RACORD + VITON
8	* 4408030118	ELECTROIMAN COMPLETO 5L 7KG	16	4408030114	CUERPO RACORD + SILICONA
8	* 4408031114	ELECTROIMAN 5L 10KG	17	4408030126	TUERCA SUJECCION TUBO
8	* 4408030517	ELECTROIMAN 10L 5KG	18	4408030115	VALVULA DUTRAL + SOPORTE
9	4408031203	RACOR PURGA CABEZAL	18	4408030116	VALVULA VITON + SOPORTE
10	4408031205	CABEZAL COMPLETO	18	4408030117	VALVULA SILICONA + SOPORTE
11	4408031729	CONECTOR DE NIVEL	19	4408030121	VALVULA INYECCION COMPLETA
12	* 4408031119	ARANDELA PISTON 2L 5KG - 2L 10KG - 5L 10KG	20	4408030123	FILTRO ASPIRACION COMPLETO

* -> VER HOJA DE OBSERVACIONES

CODIGO **43498,43499,43500**

DESCRIPCION: BOMBA EXACTUS CL/M

21	4408032703	CONECTOR MACHO Sonda de cloro CL/M	22	57174R0001	CAJA EXACTUS
----	------------	------------------------------------	----	------------	--------------

CODIGO 43498,43499,43500

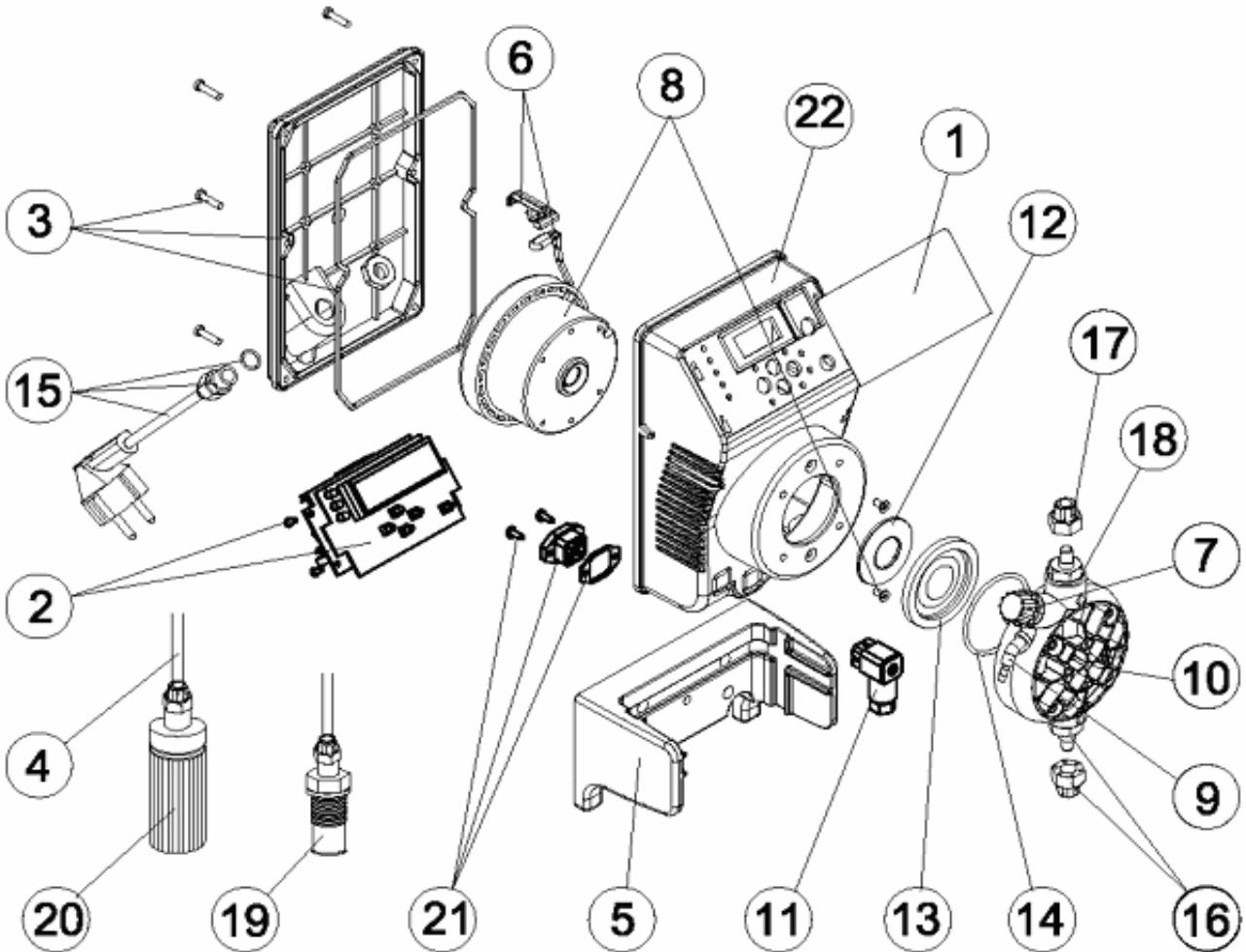
DESCRIPCION: BOMBA EXACTUS CL/M

OBSERVACIONES

POS	CODIGO	OBSERVACIONES
8	4408030118	PARA 43498
8	4408031114	PARA 43499
8	4408030517	PARA 43500
12	4408031119	PARA 43498
12	4408030531	PARA 43499
12	4408031121	PARA 43500

CODE **43498,43499,43500**

DESCRIPTION: **POMPE EXACTUS CL/M**



FRANCAIS

POS	CODE	DESCRIPTION	POS	CODE	DESCRIPTION
1	4408032701	TABEAU DE CONTROLE TACTILE CL/M EXACTUS 2009	12	* 4408030531	RONDELLE PISTON 5L 7KG
2	4408032702	CIRCUIT ELECTRONIQUE CL/M 2009	12	* 4408031121	RONDELLE PISTON 10L 5KG
3	4408030025	COUVERCLE POMPE EXACTUS	13	4408030119	MEMBRANE COMPLETE
4	4408030122	TUBE ASPIRATION/IMPULSION	14	4408030111	JOINT TORIQUE TETE
5	4408032303	SUPPORT DE POMPE EXACTUS 2009	15	4408031221	CABLE ALIMENTATION
6	4408032305	SUPPORT + THERMOSTAT DE 110 °	16	4408030112	CORPS RACCORD + CLAPET DUTRAL
7	4408032308	BOUCHON PURGE	16	4408030113	CORPS RACCORD + CLAPET VITON
8	* 4408030118	ELECTROAIMANT COMPLETO 5L 7KG	16	4408030114	CORPS RACCORD + CLAPET SILICONE
8	* 4408031114	ELECTROAIMANT 5L 10KG	17	4408030126	ECROU DE TUBE D'ASPIRATION
8	* 4408030517	ELECTROAIMANT 10L 5KG	18	4408030115	CLAPET DUTRAL + SUPPORT
9	4408031203	RACCOR PURGE	18	4408030116	CLAPET VITON + SUPPORT
10	4408031205	TETE COMPLET	18	4408030117	CLAPET SILICONA + SUPPORT
11	4408031729	CONECTEUR DE NIVEAU	19	4408030121	VANNE INJECTION COMPLETE
12	* 4408031119	RONDELLE PISTON 2L 5KG - 2L 10KG - 5L 10KG	20	4408030123	FILTRE ASPIRATION COMPLETE

*** -> VOIR FICHE D'OBSERVATIONS**

CODE **43498,43499,43500**

DESCRIPTION: **POMPE EXACTUS CL/M**

21	4408032703	CONNECTEUR MÂLE	22	57174R0001	BOITIER DE POMPE EXACTUS
----	------------	-----------------	----	------------	--------------------------

CODE **43498,43499,43500**

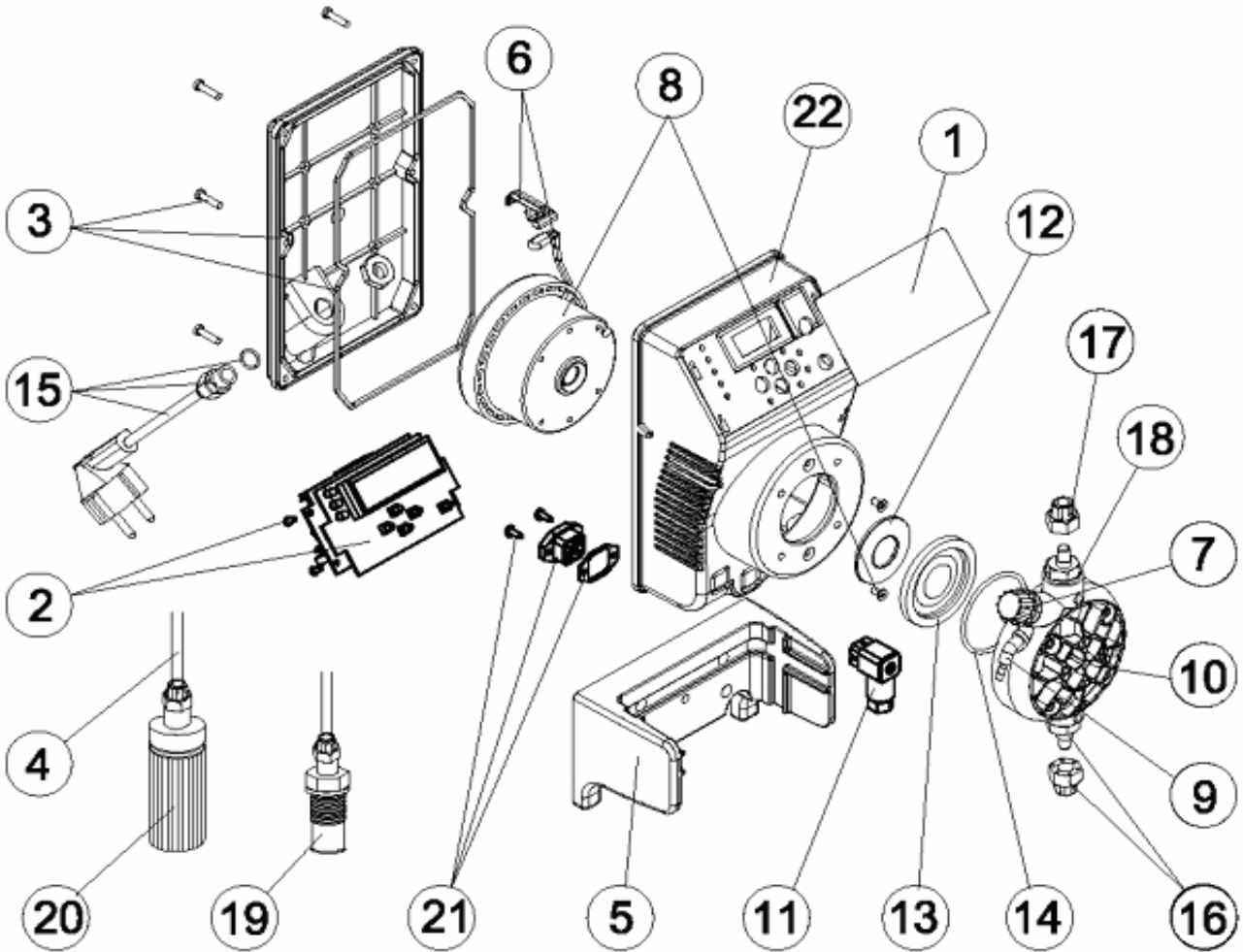
DESCRIPTION: **POMPE EXACTUS CL/M**

OBSERVATIONS

POS	CODE	OBSERVATIONS
8	4408030118	PARA 43498
8	4408031114	PARA 43499
8	4408030517	PARA 43500
12	4408031119	PARA 43498
12	4408030531	PARA 43499
12	4408031121	PARA 43500

CODE **43498,43499,43500**

DESCRIPTION: **EXACTUS PUMP CL/M**



ENGLISH

POS	CODE	DESCRIPTION	POS	CODE	DESCRIPTION
1	4408032701	TOUCH SCREEN PANEL CL/M 2009	12	* 4408030531	PISTON WASHER 5L 7KG
2	4408032702	ELECTRONIC CIRCUIT CL/M 2009.	12	* 4408031121	PISTON WASHER 10L 5KG
3	4408030025	PUMP REAR COVER	13	4408030119	DIAPHRAM COMPLETE
4	4408030122	SUCTION/RETURN TUBE	14	4408030111	HEAD O RING
5	4408032303	PUMP SUPPORT 2009	15	4408031221	SUPPLY CABLE
6	4408032305	SUPPORT AND THERMOSTAT 110°	16	4408030112	HEAD CONNECTOR BODY + DUTRAL
7	4408032308	DRAIN PLUG	16	4408030113	HEAD CONNECTOR BODY + VITON
8	* 4408030118	ELECTROMAGNET ASSEMBLY COMPLETEO 5L 7KG	16	4408030114	HEAD CONNECTOR BODY + SILICON
8	* 4408031114	ELECTROMAGNET 5L 10KG	17	4408030126	SUCTION TUBE NUT
8	* 4408030517	ELECTROMAGNET 10L 5KG	18	4408030115	DUTRAL VALVE + SUPPORT
9	4408031203	PURGE FITTING	18	4408030116	VITON VALVE + SUPPORT
10	4408031205	COMPLETE HEAD ASSEMBLY	18	4408030117	SILICON VALVE + SUPPORT
11	4408031729	FEMALE CONNECTOR BCN	19	4408030121	INJECTOR VALVE ASSEMBLY
12	* 4408031119	PISTON WASHER 2L 5KG - 2L 10KG - 5L 10KG	20	4408030123	FILTER ASSEMBLY

* -> SEE OBSERVATIONS SHEET

CODE **43498,43499,43500**

DESCRIPTION: **EXACTUS PUMP CL/M**

21	4408032703	MALE CONNECTOR	22	57174R0001	EXACTUS PUMP BOX
----	------------	----------------	----	------------	------------------

CODE **43498,43499,43500**

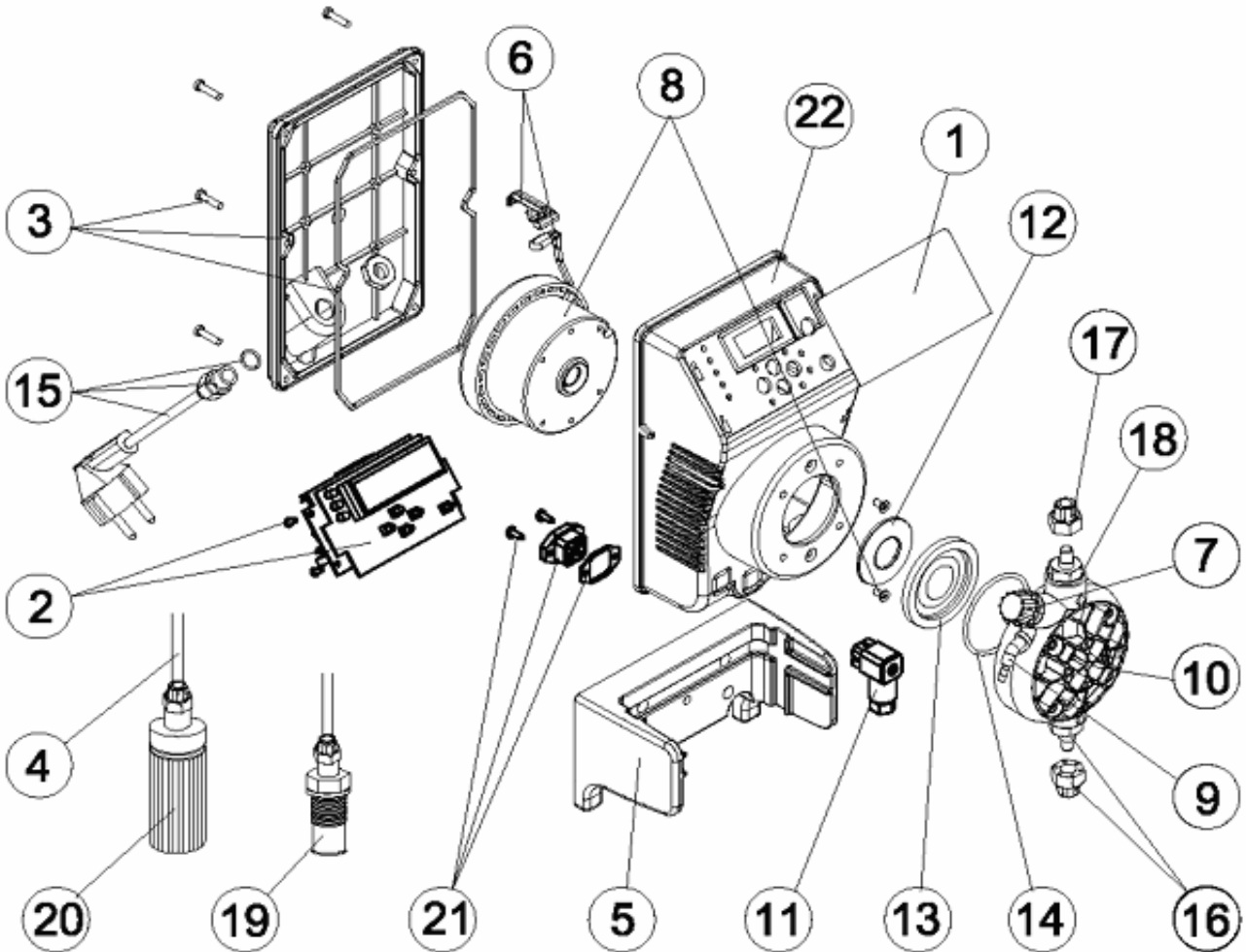
DESCRIPTION: **EXACTUS PUMP CL/M**

OBSERVATIONS

POS	CODE	OBSERVATIONS
8	4408030118	PARA 43498
8	4408031114	PARA 43499
8	4408030517	PARA 43500
12	4408031119	PARA 43498
12	4408030531	PARA 43499
12	4408031121	PARA 43500

CODICE **43498,43499,43500**

DESCRIZIONE: **POMPA EXACTUS CL/M**



ITALIANO

POS	CODICE	DESCRIZIONE	POS	CODICE	DESCRIZIONE
1	4408032701	PANNELLO DIGITALE CL/M EXACTUS 2009	12	* 4408030531	RONDELLA PISTONE 5L 7KG
2	4408032702	CIRCUITO ELETTRONICO CL/M 2009	12	* 4408031121	RONDELLA PISTONE 10L 5KG
3	4408030025	COPRIVENTOLA POMPA EXACTUS	13	4408030119	MEMBRANA COMPLETA
4	4408030122	TUBO DI ASPIRAZIONE/ MANDATA	14	4408030111	O-RING PER TESTA
5	4408032303	SUPPORTO POMPA EXACTUS 2009	15	4408031221	CAVO DI ALIMENTAZIONE
6	4408032305	SUPPORTO + TERMOSTATO 110°	16	4408030112	CORPO RACCORDO + VALVOLA IN DUTRAL
7	4408032308	TAPPO SPURGO	16	4408030113	CORPO RACCORDO + VALVOLA IN VITON
8	* 4408030118	ELETTROCALAMITA COMPLETA 5L 7KG	16	4408030114	CORPO RACCORDO + VALVOLA IN SILICONE
8	* 4408031114	ELETTROCALAMITA 5L 10KG	17	4408030126	GHIERA FISSAGGIO TUBO
8	* 4408030517	ELETTROCALAMITA 10L 5KG	18	4408030115	VALVOLA DUTRAL + SUPPORTO
9	4408031203	RACORDO SCARIO	18	4408030116	VALVOLA + SUPPORTO
10	4408031205	TESTA COMPLETA	18	4408030117	VALVOLA SILICONE + SUPPORTO
11	4408031729	CONNETTORE DI LIVELLO	19	4408030121	VALVOLA INIEZIONE COMPLETA
12	* 4408031119	RONDELLA PISTONE 2L 5KG - 2L 10KG - 5L 10KG	20	4408030123	FILTRO ASPIRAZIONE COMPLETO

*** -> SI FACCI RIFERIMENTO AL FOGLIO DELLE OSSERVAZIONI**

CODICE **43498,43499,43500**

DESCRIZIONE: **POMPA EXACTUS CL/M**

21	4408032703	CONNETTORE MASCHIO	22	57174R0001	CASSA POMPA EXACTUS
----	------------	--------------------	----	------------	---------------------

CODICE 43498,43499,43500

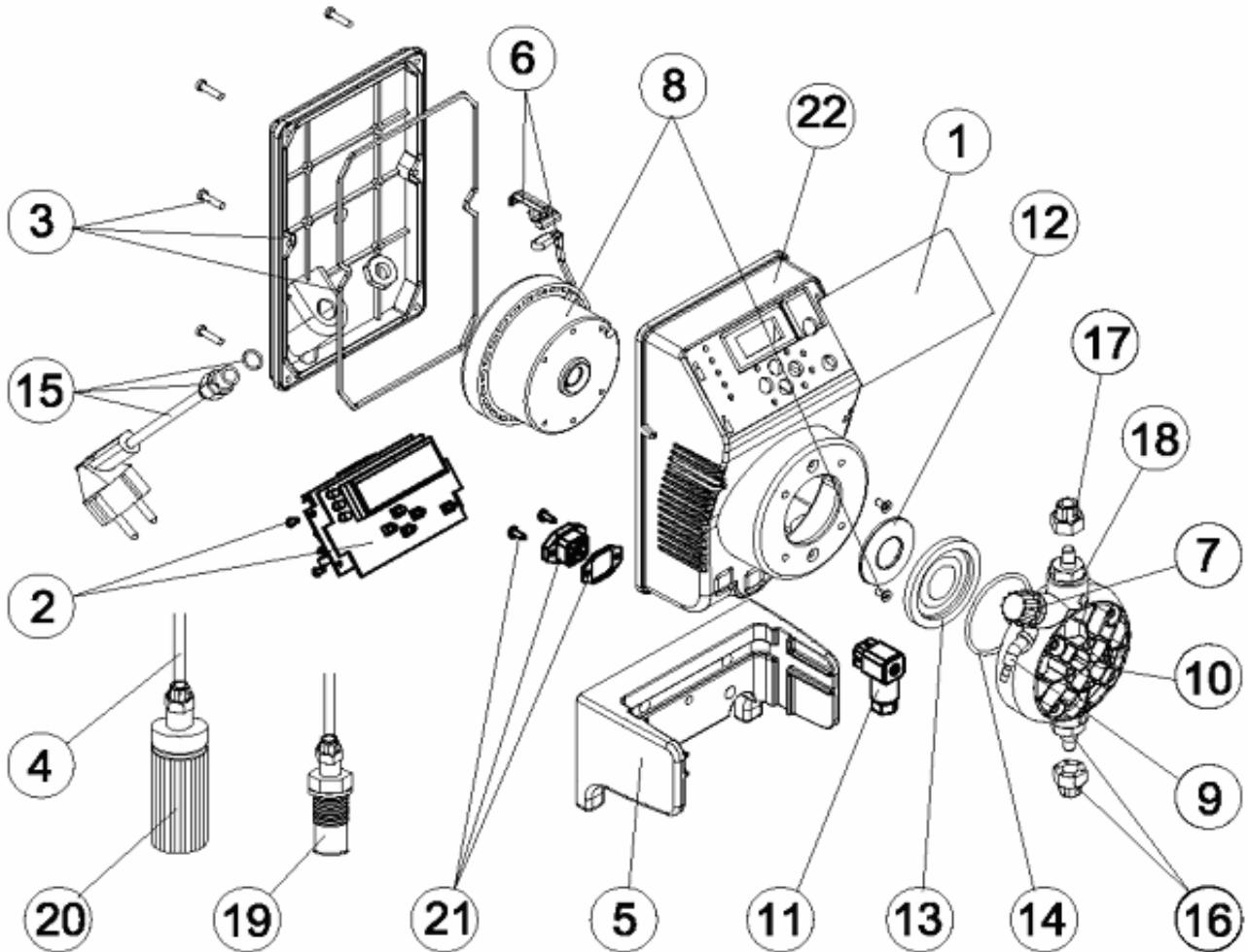
DESCRIZIONE: POMPA EXACTUS CL/M

OSSERVAZIONI

POS	CODICE	OSSERVAZIONI
8	4408030118	PARA 43498
8	4408031114	PARA 43499
8	4408030517	PARA 43500
12	4408031119	PARA 43498
12	4408030531	PARA 43499
12	4408031121	PARA 43500

CODE **43498,43499,43500**

BESCHREIBUNG: **PUMPE EXACTUS CL/M**



DEUTSCH

POS	CODE	BESCHREIBUNG	POS	CODE	BESCHREIBUNG
1	4408032701	TOUCHSCREN BEDIENFELD CL/M 2009	12	* 4408030531	DOSIERKOPF DICHTUNG 5L 7KG
2	4408032702	PLATINE DOSIERPUMPE CL/M 2009	12	* 4408031121	DOSIERKOPF DICHTUNG 10L 5KG
3	4408030025	DECKEL GEHÄUSE HINTEN	13	4408030119	MEMBRANE KOMPLETT
4	4408030122	P/N-SCHLAUCH DOSIERPUMPE	14	4408030111	O-RING KOPFSTÜCK
5	4408032303	PUMPENHALTERUNG 2009	15	4408031221	KABEL DOSIERPUMPE
6	4408032305	BEFESTIGUNG UND THERMOSTAT 110°	16	4408030112	VENTILSATZ DUTRAL
7	4408032308	ENTLÜFTUNGSSCHRAUBE	16	4408030113	VENTILSATZ VITON
8	* 4408030118	ELEKTROMAGNET KOMPLETT 5L 7KG	16	4408030114	VENTILSATZ SILIKON
8	* 4408031114	ELEKTROMAGNET 5L 10KG	17	4408030126	ÜBERWURFMUTTERN SAUG-/DRUCKVENTIL
8	* 4408030517	ELEKTROMAGNET 10L 5KG	18	4408030115	VENTIL DUTRAL
9	4408031203	BEHÄLTERVERSCHRAUBUNGSSATZ	18	4408030116	VENTIL VITON
10	4408031205	KOPFSTÜCK KOMPLETT	18	4408030117	VENTIL SILIKON
11	4408031729	ANSCHLUSS NIVEAU	19	4408030121	IMPFVENTIL KOMPLETT
12	* 4408031119	DOSIERKOPF DICHTUNG 2L 5KG - 2L 10KG - 5L 10KG	20	4408030123	SAUG-FILTER KOMPLETT

* -> SIEHE ANMERKUNGSBLATT

CODE **43498,43499,43500**

BESCHREIBUNG: **PUMPE EXACTUS CL/M**

21	4408032703	ANSCHLUSS-STECKER	22	57174R0001	GEHÄUSE DOSIERPUMPE EXACTUS
----	------------	-------------------	----	------------	-----------------------------

CODE **43498,43499,43500**

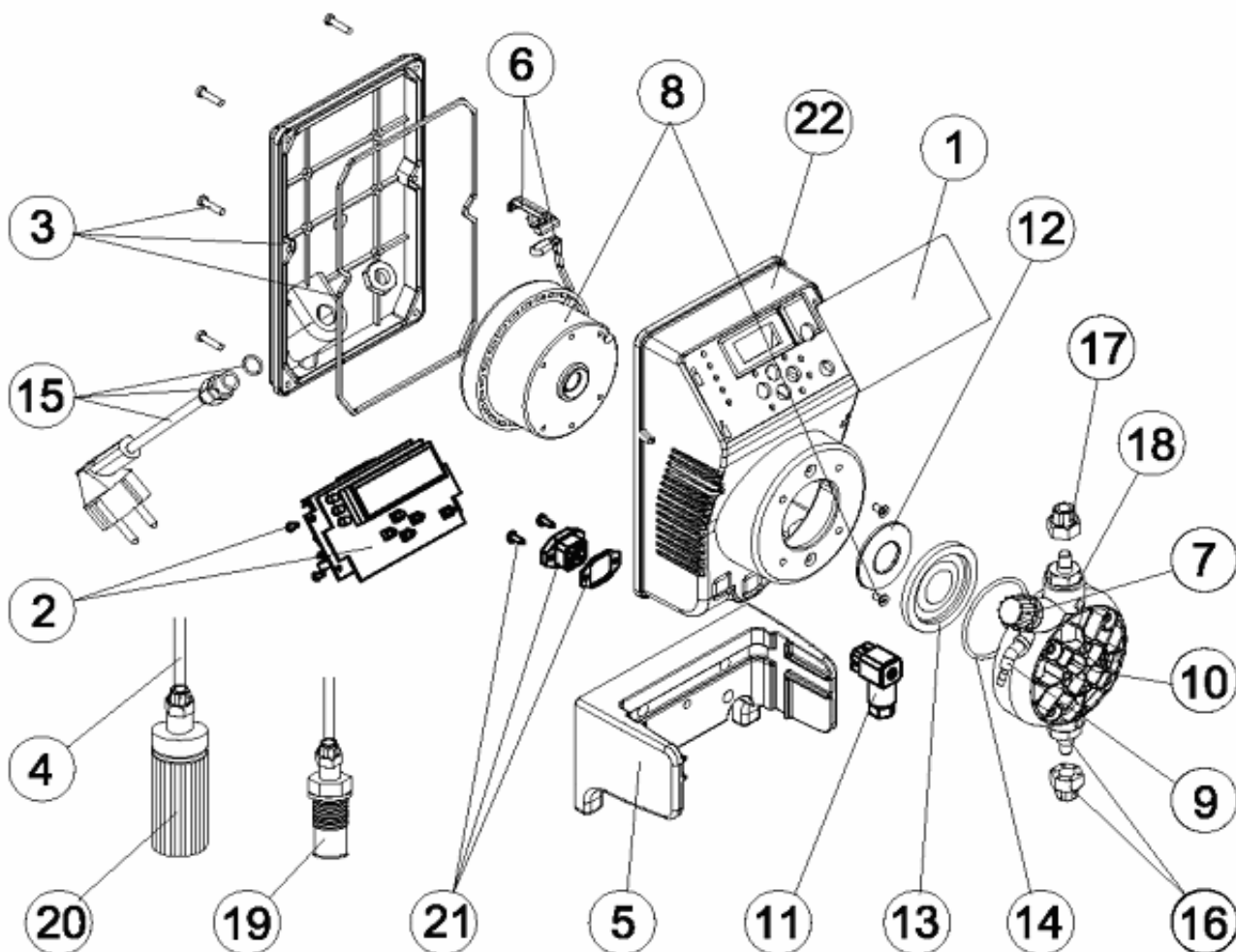
BESCHREIBUNG: **PUMPE EXACTUS CL/M**

HINWEISE

POS	CODE	HINWEISE
8	4408030118	PARA 43498
8	4408031114	PARA 43499
8	4408030517	PARA 43500
12	4408031119	PARA 43498
12	4408030531	PARA 43499
12	4408031121	PARA 43500

CODIGO **43498,43499,43500**

DESCRIÇÃO: **BOMBA EXACTUS CL/M**



PORTUGUES

POS	CODIGO	DESCRIÇÃO	POS	CODIGO	DESCRIÇÃO
1	4408032701	PAINEL DIGITAL TÁCTIL CL/M EXACTUS 2009	12	* 4408030531	ANILHA PISTON 5L 7KG
2	4408032702	CIRCUITO ELECTRONICO CL/M 2009	12	* 4408031121	ANILHA PISTON 10L 5KG
3	4408030025	TAMPA TRASEIRA BOMBA EXACTUS	13	4408030119	MEMBRANA COMPLETA
4	4408030122	TUBO ASPIRAÇÃO/IMPULSÃO	14	4408030111	JUNTA TORICA CABEÇAL
5	4408032303	SUPORTE BOMBA EXACTUS 2009	15	4408031221	CABO ALIMENTAÇÃO
6	4408032305	SUPORTE MAIS TERMOSTATO DE 110°	16	4408030112	CORPO RACORD + DUTRAL
7	4408032308	TAMPÃO PURGA	16	4408030113	CORPO RACORD + VITON
8	* 4408030118	ELECTROIMAN COMPLETO 5L 7KG	16	4408030114	CORPO RACORD + SILICONE
8	* 4408031114	ELECTROIMAN 5L 10KG	17	4408030126	PORCA SUJEIÇÃO TUBO
8	* 4408030517	ELECTROIMAN 10L 5KG	18	4408030115	VÁLVULA DUTRAL + SUPORTE
9	4408031203	RACCORD PURGA	18	4408030116	VÁLVULA VITON + SUPORTE
10	4408031205	CABEÇAL COMPLETO	18	4408030117	VÁLVULA SILICONE + SUPORTE
11	4408031729	LIGAÇÃO NIVEL	19	4408030121	INJECTOR COMPLETO
12	* 4408031119	ANILHA PISTON 2L 5KG - 2L 10KG - 5L 10KG	20	4408030123	FILTRO ASPIRAÇÃO COMPLETO

*** -> VEJA A FICHA DE OBSERVAÇÕES**

CODIGO 43498,43499,43500

DESCRIÇÃO: BOMBA EXACTUS CL/M

21	4408032703	LIGAÇÃO MACHO	22	57174R0001	CAIXA BOMBA EXACTUS
----	------------	---------------	----	------------	---------------------

CODIGO 43498,43499,43500

DESCRIÇÃO: BOMBA EXACTUS CL/M

OBSERVAÇÕES

POS	CODIGO	OBSERVAÇÕES
8	4408030118	PARA 43498
8	4408031114	PARA 43499
8	4408030517	PARA 43500
12	4408031119	PARA 43498
12	4408030531	PARA 43499
12	4408031121	PARA 43500