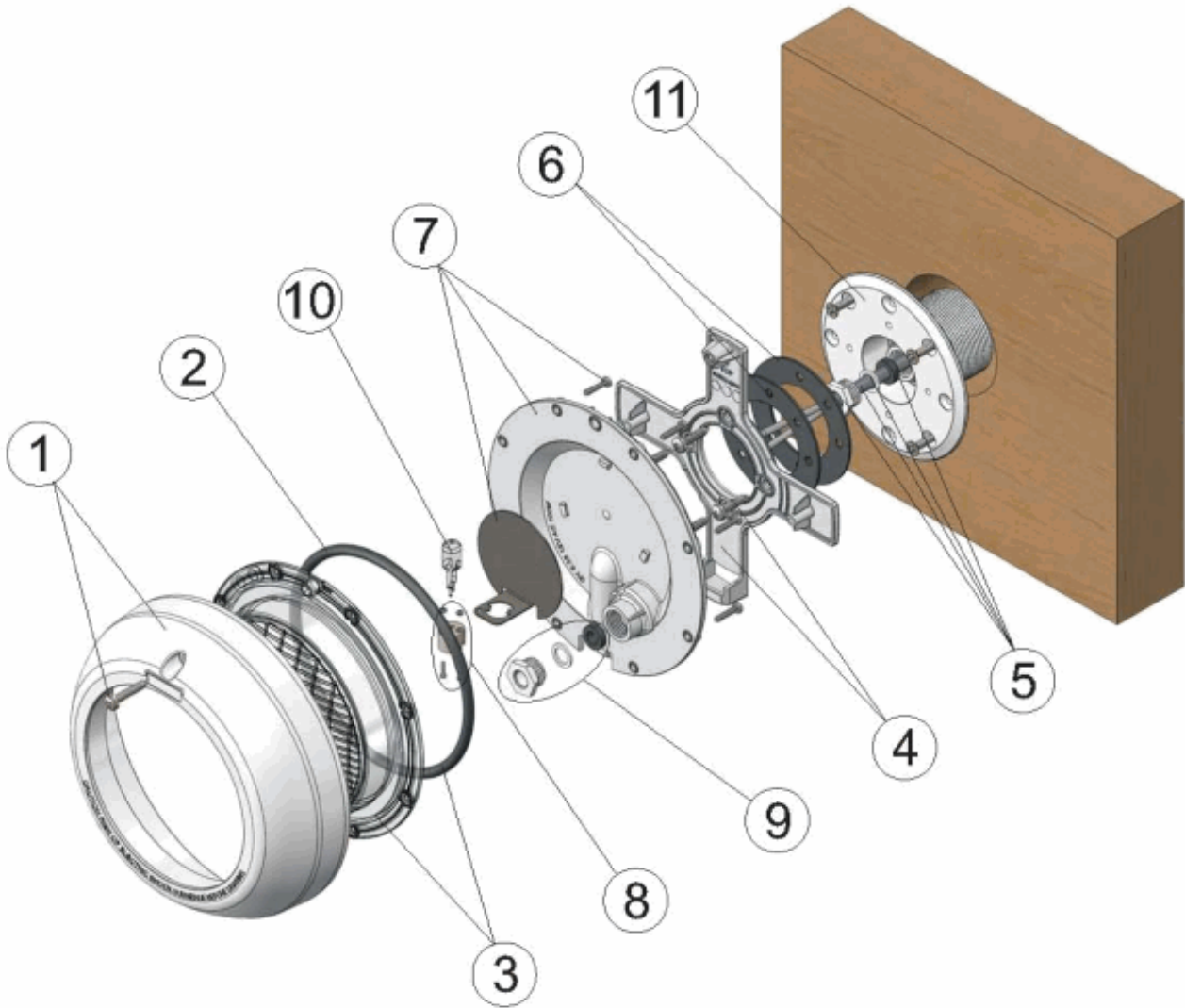


CODE **43933**

BESCHREIBUNG: **SCHEINWERFER MIT MÜNDUNG KABELDURCHLAUF**

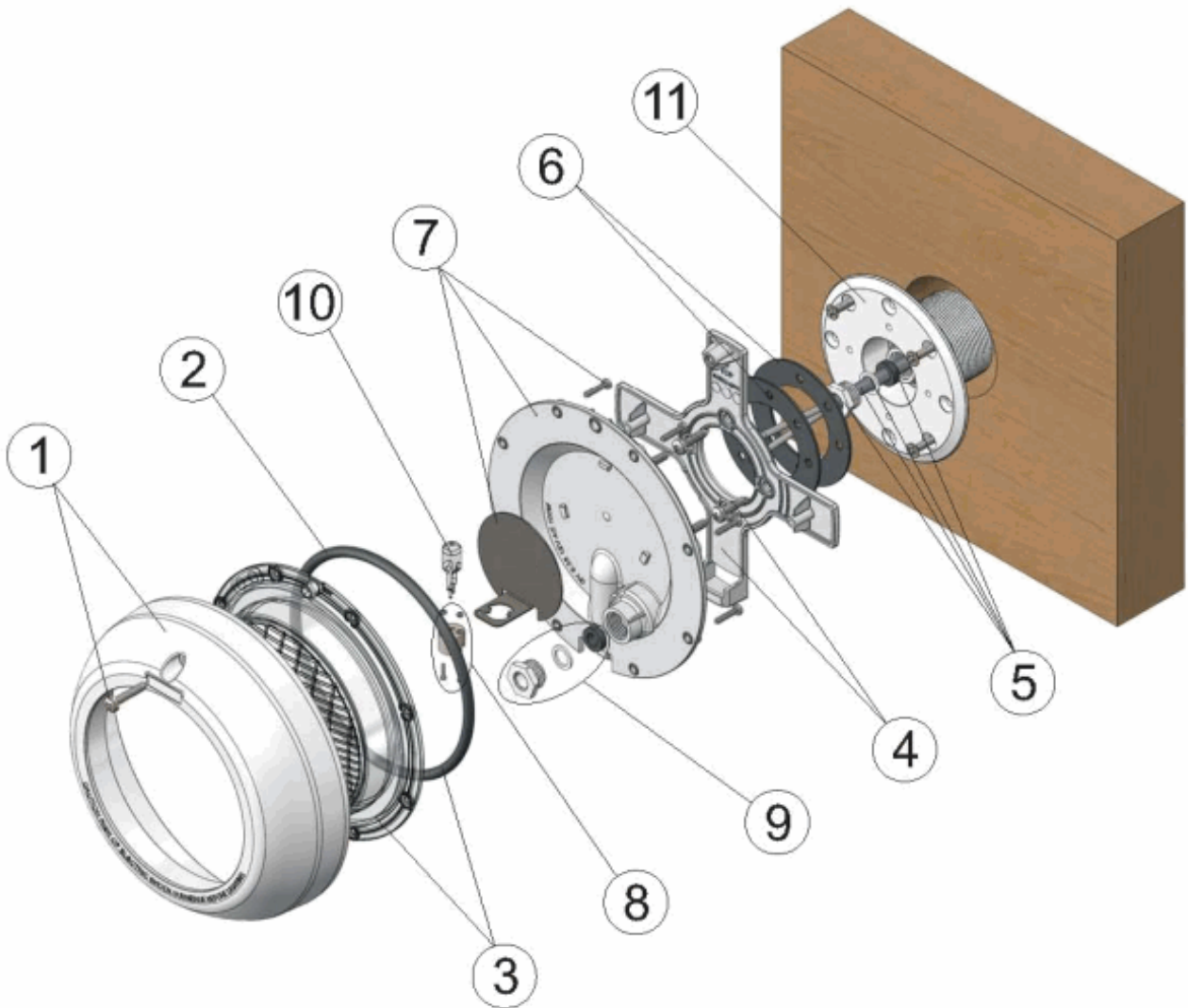


**DEUTSCHE**

POS	CODE	BESCHREIBUNG	POS	CODE	BESCHREIBUNG
1	4403015401	BLENDE FÜR UWS	7	4403015407	LAMPENGEHÄUSE UWS FLACH
2	4403015402	O-RING	8	4403011403	LAMPENHALTERUNG UWS-MINI
3	4403015403	DURCHSICHTIGES GLAS MIT DICHTUNG	9	4403014101	KIT STOPFEN QUETSCHDICHTUNG 12X2
4	4403015404	SCHEINWERFERHALTERUNG	10	4403010069	LAMPE 12 V. 100 W.
5	4403015405	KABEL UWS, QUETSCHDICHTUNG	11	43933R0005	DÜSENKÖRPER
6	4403015406	DICHTUNG FLANSCH			

CODE **43933**

DESCRIPTION: **POOL LIGHT WITH CABLE CONDUIT**

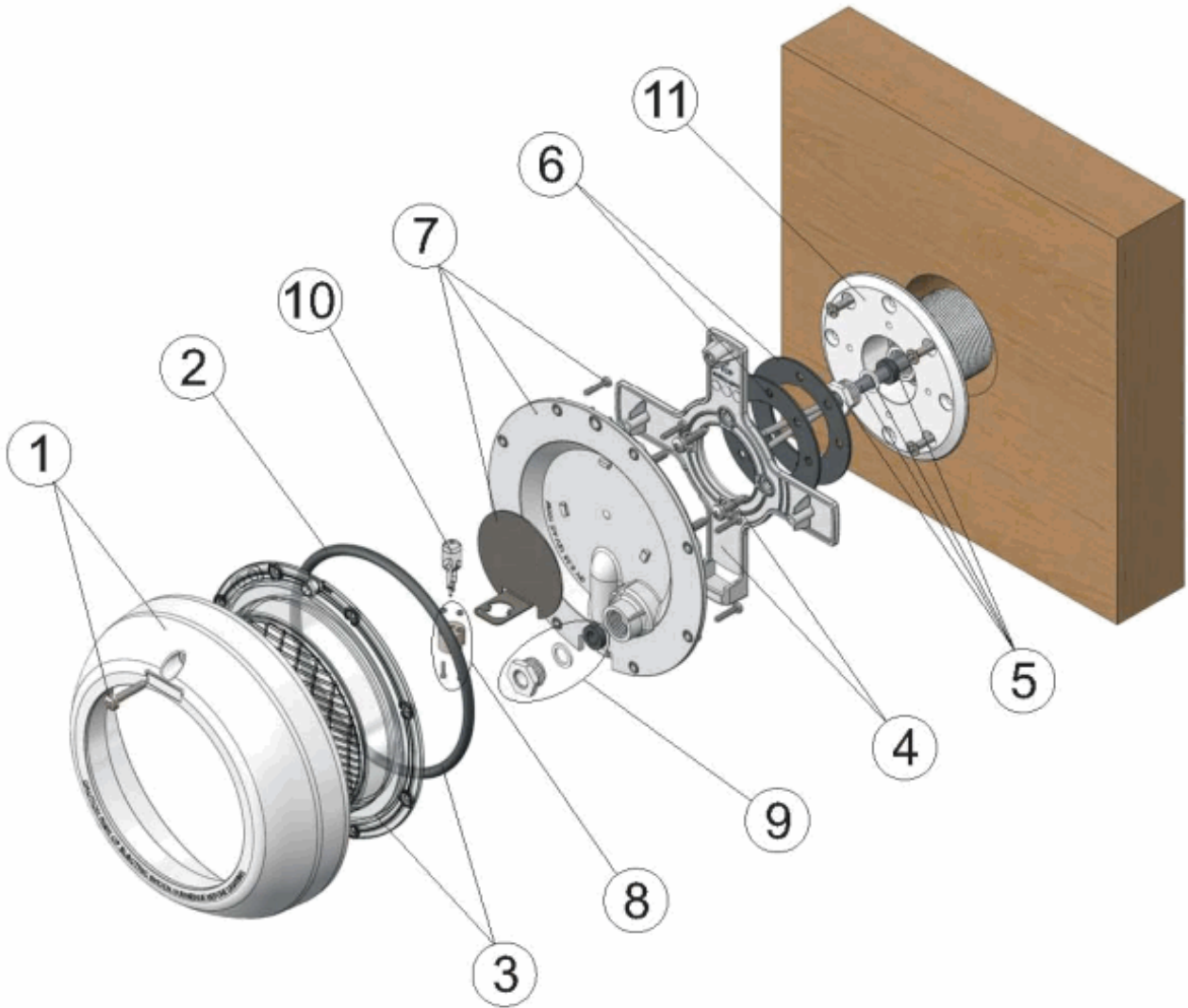


**ENGLISH**

POS	CODE	DESCRIPTION	POS	CODE	DESCRIPTION
1	4403015401	LIGHT FACEPLATE	7	4403015407	REAR BASE
2	4403015402	'O' RING	8	4403011403	DICHRO BULB HOLDER
3	4403015403	TRANSPARENT LENS + O-RING	9	4403014101	KIT PLUG PACKING GLAND 12X2
4	4403015404	LIGHT SUPPORT	10	4403010069	LIGHTBULB 12 V. 100 W.
5	4403015405	PROJECTOR CABLE, PACKING GLANDS PROJECTOR	11	43933R0005	INLET BODY
6	4403015406	ADHESIVE GASKET			

CODIGO **43933**

DESCRIPCION: **PROYECTOR CON BOQUILLA PASACABLES**

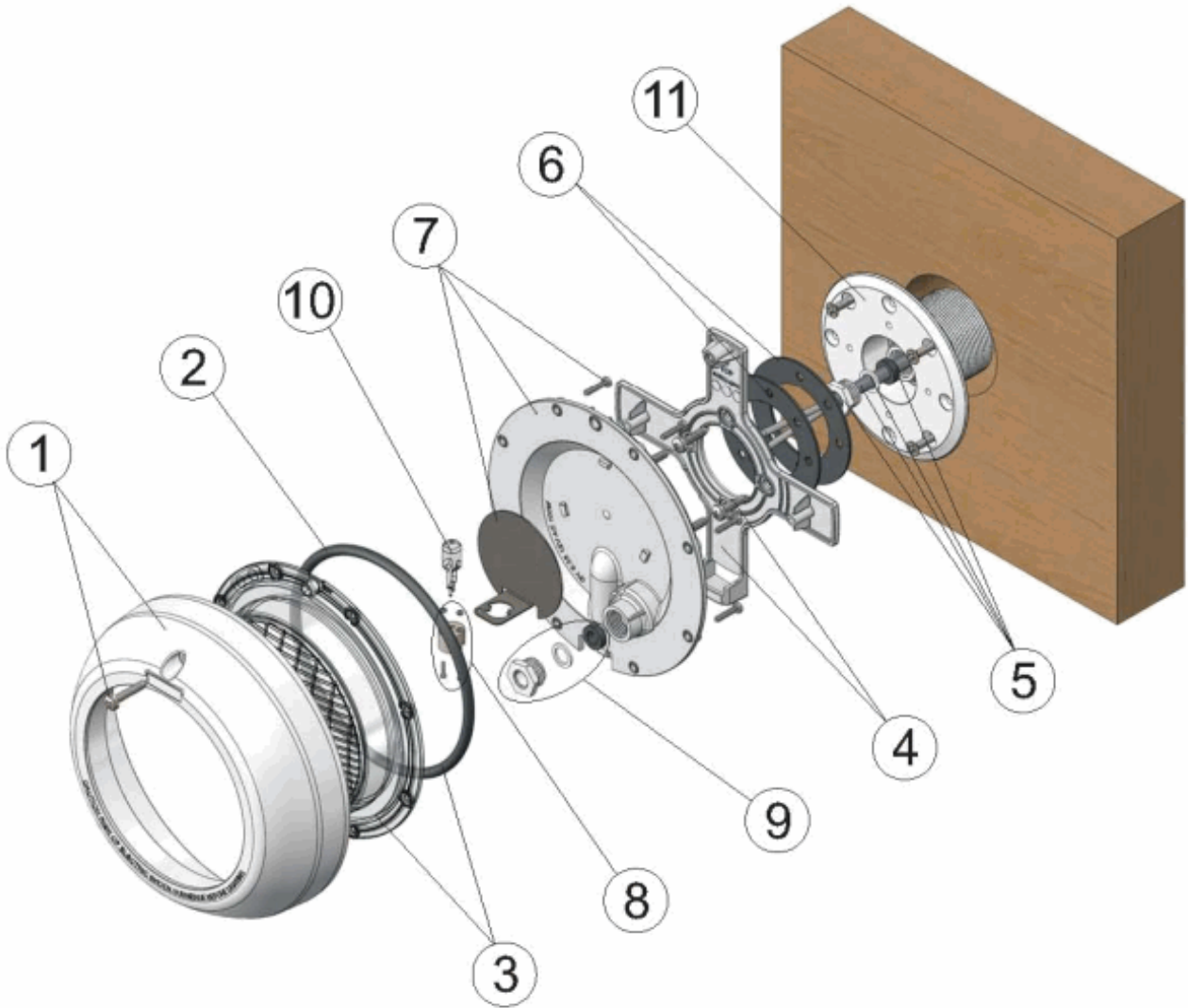


**ESPAÑOL**

POS	CODIGO	DESCRIPCION	POS	CODIGO	DESCRIPCION
1	4403015401	EMBELLECEDOR PROYECTOR	7	4403015407	PANTALLA PROYECTOR
2	4403015402	JUNTA TORICA 148 X 7	8	4403011403	PORTALAMPARAS DICROICO
3	4403015403	CRISTAL TRANSPARENTE CON JUNTA	9	4403014101	C.JTO. TAPON PRENSAESTOPAS TR 12X2
4	4403015404	SOPORTE PROYECTOR	10	4403010069	LAMPARA HALOGENA 12 V. 100 W.
5	4403015405	CABLE PROYECTOR, PRENSAESTOPAS	11	43933R0005	CUERPO BOQUILLA PASACABLE
6	4403015406	JUNTA ADHESIVA BOQUILLA			

CODE **43933**

DESCRIPTION: **PROJECTEUR AVEC EMBOUT PASSE-CÂBLES**

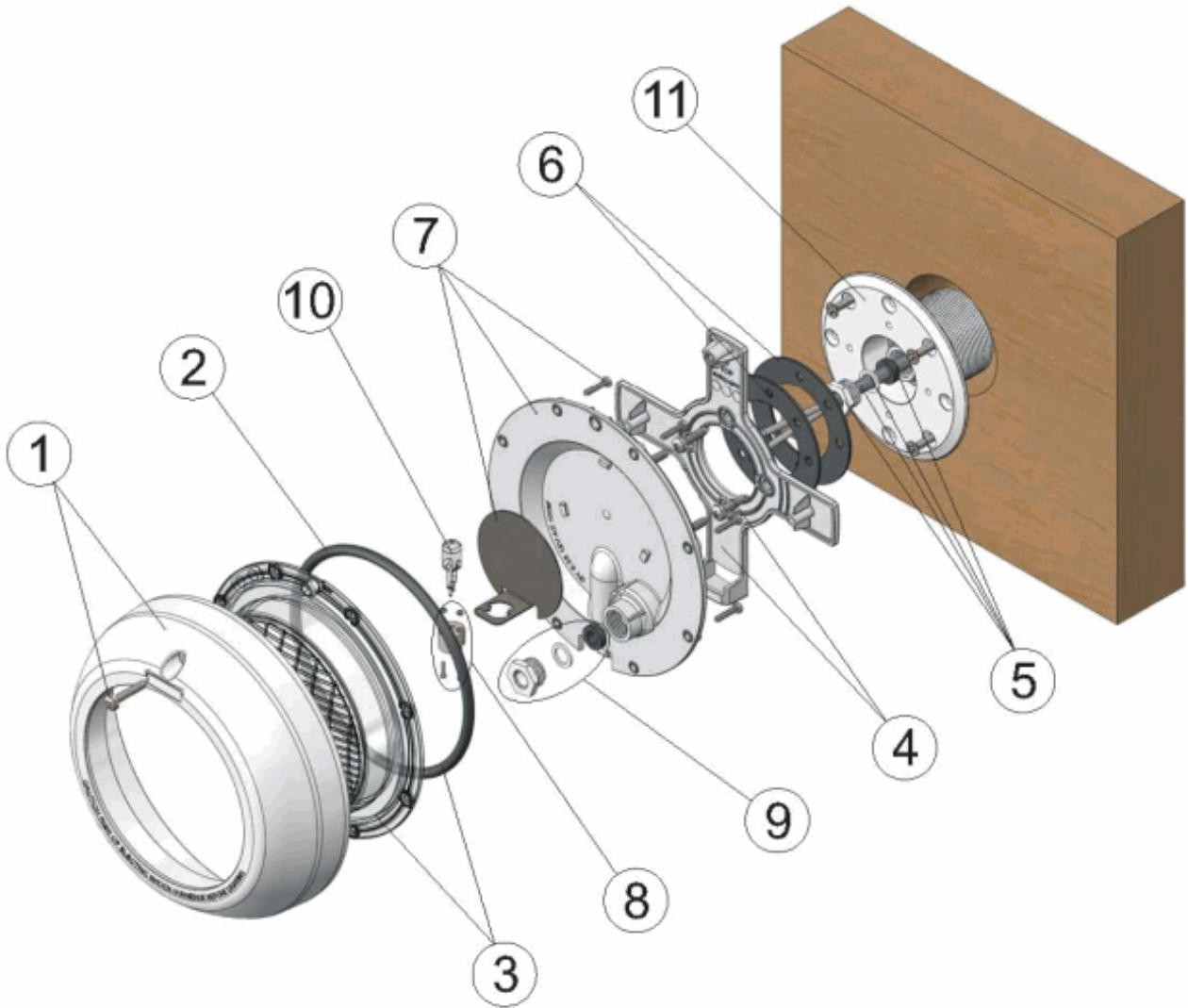


**FRANCAIS**

POS	CODE	DESCRIPTION	POS	CODE	DESCRIPTION
1	4403015401	ENJOLIVEUR DE PROJECTEUR	7	4403015407	FLASQUE DE PROJECTEUR
2	4403015402	JOINT TORIQUE	8	4403011403	DOUILLE DICHROIQUE
3	4403015403	OPTIQUE TRANSPARENT + JOINT	9	4403014101	BOUCHON PRESSE ÉTOUPE 12X2
4	4403015404	SUPPORT PROJECTEUR	10	4403010069	LAMPE 12 V. 100 W.
5	4403015405	CABLE PROJECTEUR PRESSE ÉTOUPE	11	43933R0005	CORPS BOUCHE
6	4403015406	JOINT ADHESIF			

CODICE **43933**

DESCRIZIONE: **PROIETTORE CON BOCCHETTA PASSACAVI**



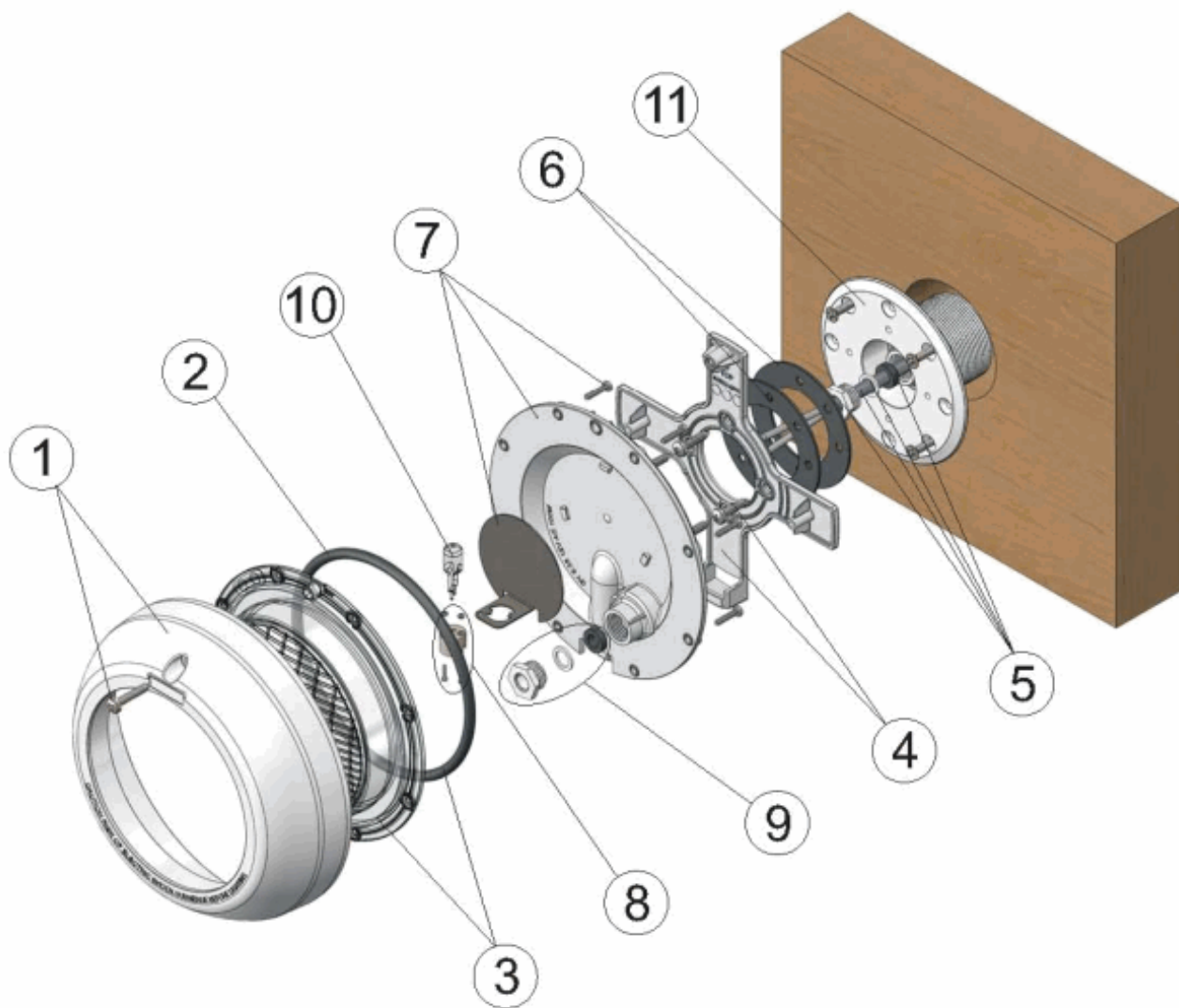
**ITALIANO**

POS	CODICE	DESCRIZIONE	POS	CODICE	DESCRIZIONE
1	4403015401	ANELLO FRONTALE FARO	7	4403015407	SCHERMO FARO
2	4403015402	O-RING	8	4403011403	PROTALAMPADE DICROICO
3	4403015403	LENTE TRASPARENTEPER + O-RING	9	4403014101	KIT TAPPO
4	4403015404	SUPPORTO FARO	10	4403010069	LAMPADINA 12 V. 100 W.
5	4403015405	CAVO FARO, PRESSACAVO	11	43933R0005	CORPO BOCCHETTA
6	4403015406	GUARNIZIONE ADESIVA			



CODIGO **43933**

DESCRIÇÃO: **PROJECTOR COM BOQUILHA PASSA-CABOS**



**PORTUGUES**

POS	CODIGO	DESCRIÇÃO	POS	CODIGO	DESCRIÇÃO
1	4403015401	EMBELEZADOR PROJECTOR	7	4403015407	LENTE PROJECTOR
2	4403015402	JUNTA TÓRICA	8	4403011403	CASQUILHO DICROICO
3	4403015403	LENTE TRANSPARENTE + JUNTA	9	4403014101	CJTO. TAMPÃO VEDANTE 12X2
4	4403015404	SUPORTE PROJECTOR	10	4403010069	BOMBILHA 12 V. 100 W.
5	4403015405	CABO P' PROJECTOR BUCIM PROJECTOR	11	43933R0005	CORPO BOCA DA
6	4403015406	JUNTA ADESIVA			