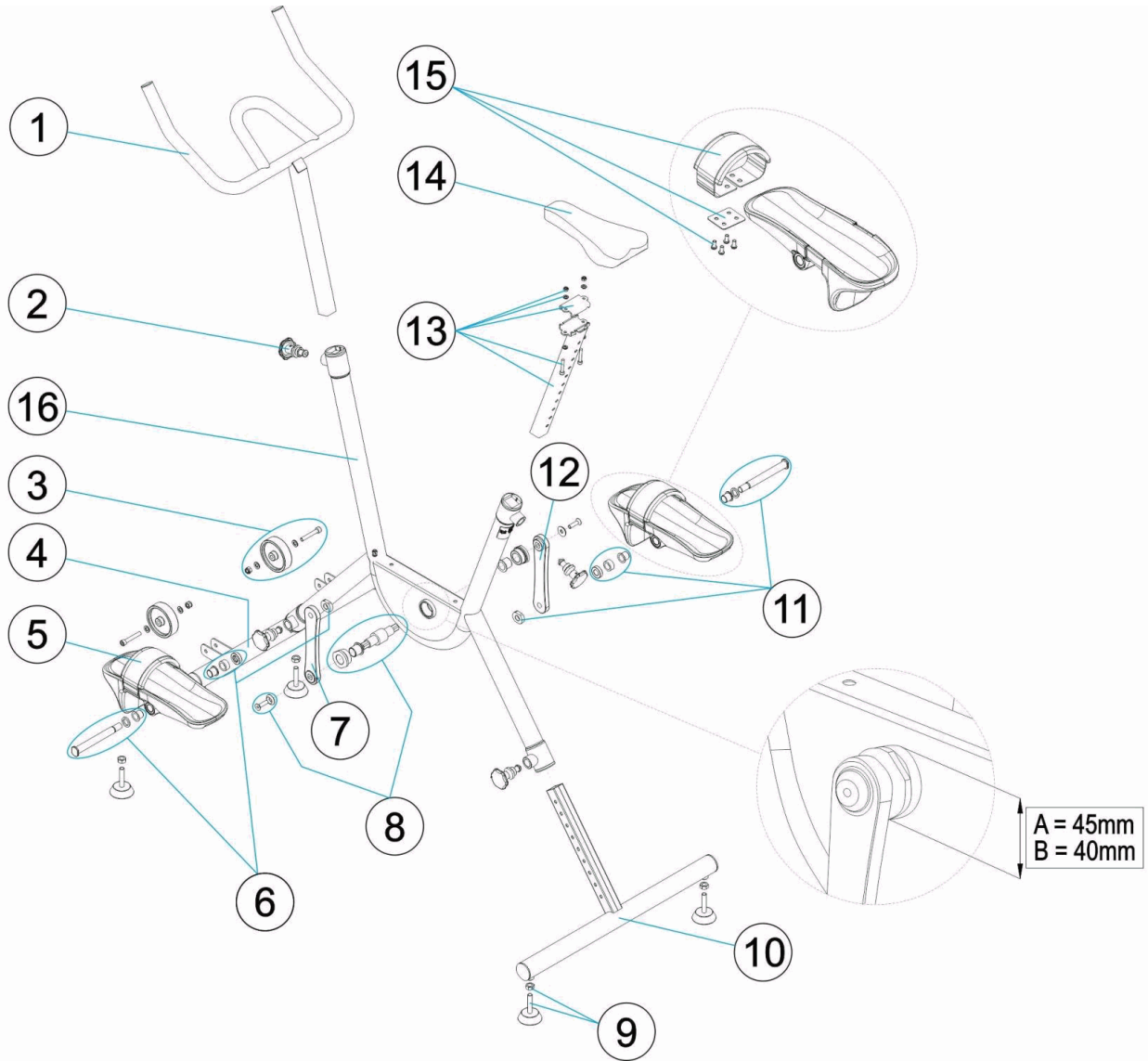


CODIGO 52089

DESCRIPCION: BICICLETA ESTATICA



ESPAÑOL

POS	CODIGO	DESCRIPCION	POS	CODIGO	DESCRIPCION
1	4401110000	MANILLAR	9	4401110007	TOPE ESTRUCTURA
2	4401110001	CJTO. POMO FIJACIÓN D.50 M10	10	4401110008	PIE POSTERIOR
3	4401110002	RUEDA NYLON D. 80 X 22 BLANCA	11	* 4401110019	CJTO. UNION PEDAL DERECHO
4	4401110010	PIE DELANTERO	11	* 4401110011	CJTO. UNION PEDAL DERECHO
5	4401110003	PEDAL	12	* 4401110018	BIELA DERECHA
6	* 4401110015	CJTO. UNION PEDAL IZQUIERDO	12	* 4401110009	BIELA DERECHA
6	* 4401110004	CJTO. UNION PEDAL IZQUIERDO	13	4401110012	SOPORTE SILLIN
7	* 4401110016	BIELA IZQUIERDA	14	4401110013	SILLIN
7	* 4401110005	BIELA IZQUIERDA	15	4401110014	CINTA SUJACION PEDAL
8	* 4401110017	CJTO. EJE	16	* 52089R1100	ESTRUCTURA PRINCIPAL
8	* 4401110006	CJTO. EJE	16	* 52089R0100	ESTRUCTURA PRINCIPAL

CODIGO **52089**

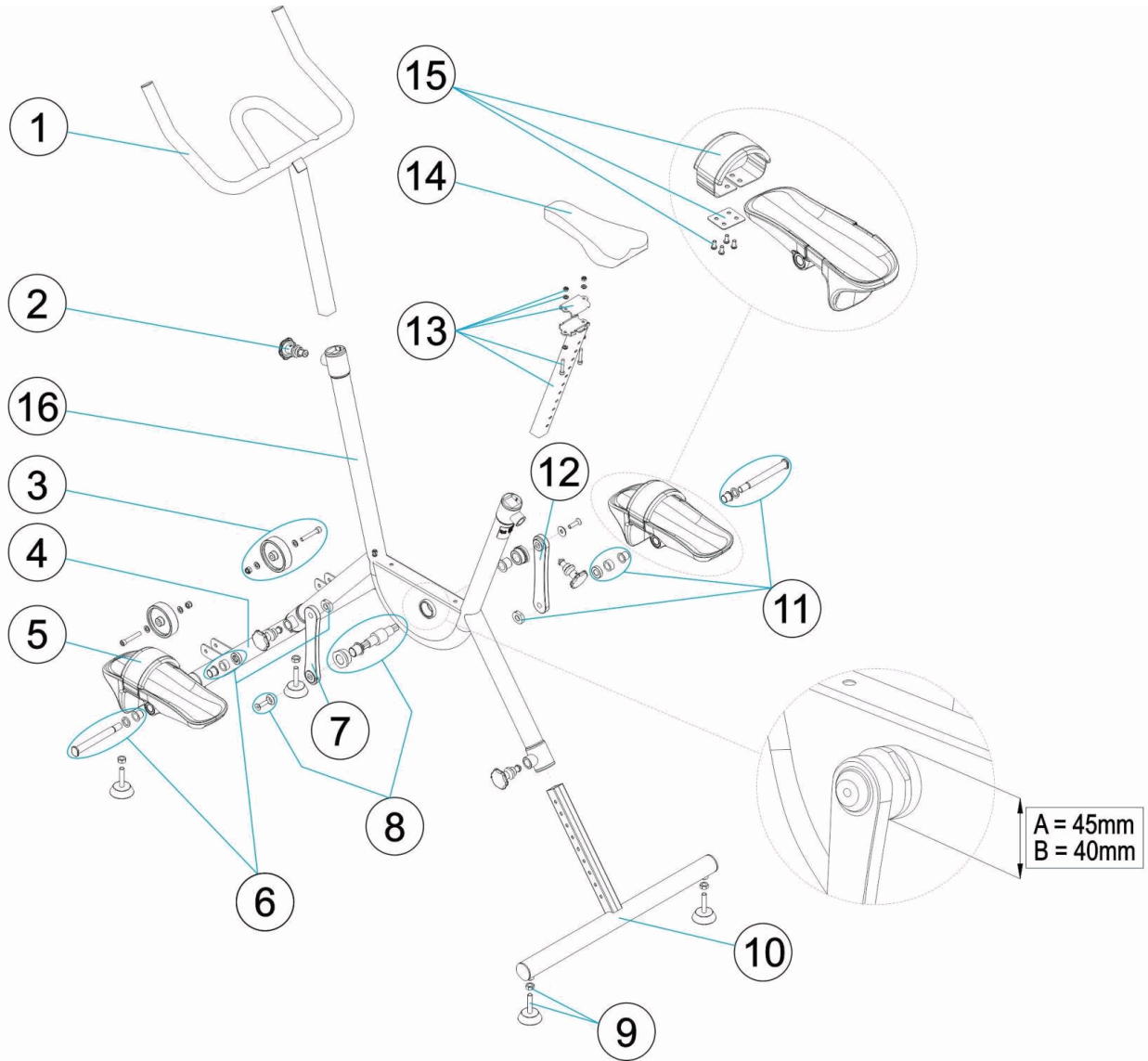
DESCRIPCION: **BICICLETA ESTATICA**

OBSERVACIONES

POS	CODIGO	OBSERVACIONES
6	4401110004	PARA: B=40mm
6	4401110015	PARA: A=45mm
7	4401110005	PARA: B=40mm
7	4401110016	PARA: A=45mm
8	4401110006	PARA: B=40mm
8	4401110017	PARA: A=45mm
11	4401110011	PARA: B=40mm
11	4401110019	PARA: A=45mm
12	4401110009	PARA: B=40mm
12	4401110018	PARA: A=45mm
16	52089R0100	PARA: B=40mm
16	52089R1100	PARA: A=45mm

CODE 52089

DESCRIPTION: VÉLO D'APPARTEMENT



FRANCAIS

POS	CODE	DESCRIPTION	POS	CODE	DESCRIPTION
1	4401110000	GUIDON	9	4401110007	BUTÉE STRUCTURE
2	4401110001	ENS. MOLETTE FIXATION D.50 M10	10	4401110008	PIED ARRIÈRE
3	4401110002	ROUE NYLON D. 80 X 22 BLANCHE	11	* 4401110019	ENS. FIXATION PÉDALE DROITE
4	4401110010	PIED AVANT	11	* 4401110011	ENS. FIXATION PÉDALE DROITE
5	4401110003	PÉDALE	12	* 4401110018	MANIVELLE DROITE
6	* 4401110015	ENS. FIXATION PÉDALE GAUCHE	12	* 4401110009	MANIVELLE DROITE
6	* 4401110004	ENS. FIXATION PÉDALE GAUCHE	13	4401110012	TIGE SELLE
7	* 4401110016	MANIVELLE GAUCHE	14	4401110013	SELLE
7	* 4401110005	MANIVELLE GAUCHE	15	4401110014	BANDE MAINTIEN PÉDALE
8	* 4401110017	ENS. AXE	16	* 52089R1100	STRUCTURE PRINCIPALE
8	* 4401110006	ENS. AXE	16	* 52089R0100	STRUCTURE PRINCIPALE

* -> VOIR FICHE D'OBSERVATIONS

CODE **52089**

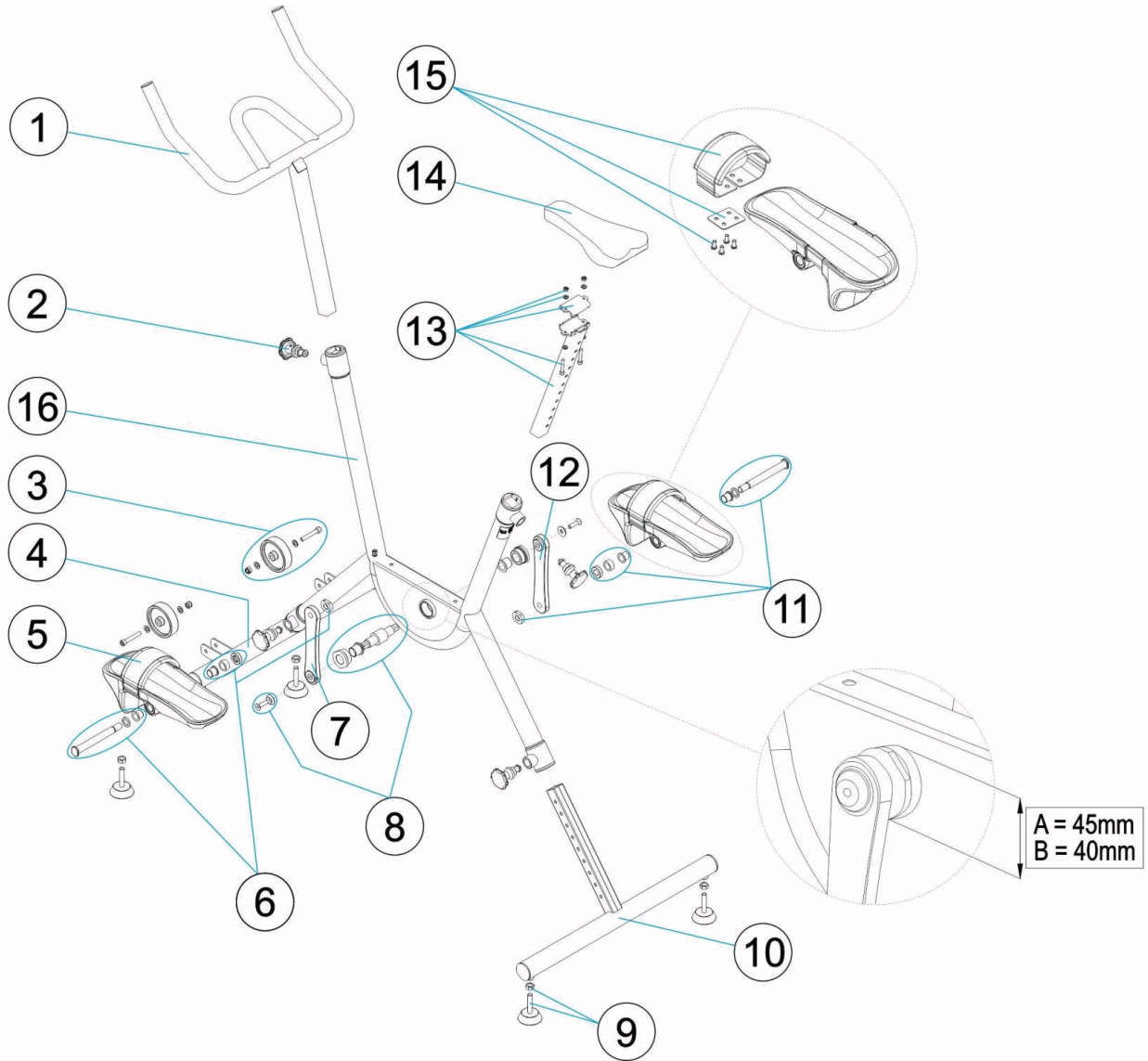
DESCRIPTION: **VÉLO D'APPARTEMENT**

OBSERVATIONS

POS	CODE	OBSERVATIONS
6	4401110004	POUR: B=40mm
6	4401110015	POUR: A=45mm
7	4401110005	POUR: B=40mm
7	4401110016	POUR: A=45mm
8	4401110006	POUR: B=40mm
8	4401110017	POUR: A=45mm
11	4401110011	POUR: B=40mm
11	4401110019	POUR: A=45mm
12	4401110009	POUR: B=40mm
12	4401110018	POUR: A=45mm
16	52089R0100	POUR: B=40mm
16	52089R1100	POUR: A=45mm

CODE **52089**

DESCRIPTION: **EXERCISE BIKE**



ENGLISH

POS	CODE	DESCRIPTION	POS	CODE	DESCRIPTION
1	4401110000	HANDLEBAR	9	4401110007	STOP
2	4401110001	FASTENING KNOB UNIT D.50 M10	10	4401110008	REAR FOOT
3	4401110002	WHITE D. 80 X 22 NYLON WHEEL	11	* 4401110019	RIGHT PEDAL FIXING SET
4	4401110010	FRONT LEG	11	* 4401110011	RIGHT PEDAL FIXING SET
5	4401110003	PEDAL	12	* 4401110018	RIGHT ROD
6	* 4401110015	LEFT PEDAL FIXING SET	12	* 4401110009	RIGHT ROD
6	* 4401110004	LEFT PEDAL FIXING SET	13	4401110012	SEAT BRACKET
7	* 4401110016	LEFT ROD	14	4401110013	SEAT
7	* 4401110005	LEFT ROD	15	4401110014	PEDAL FIXING BAND
8	* 4401110017	SHAFT UNIT	16	* 52089R1100	MAIN STRUCTURE
8	* 4401110006	SHAFT UNIT	16	* 52089R0100	MAIN STRUCTURE

CODE **52089**

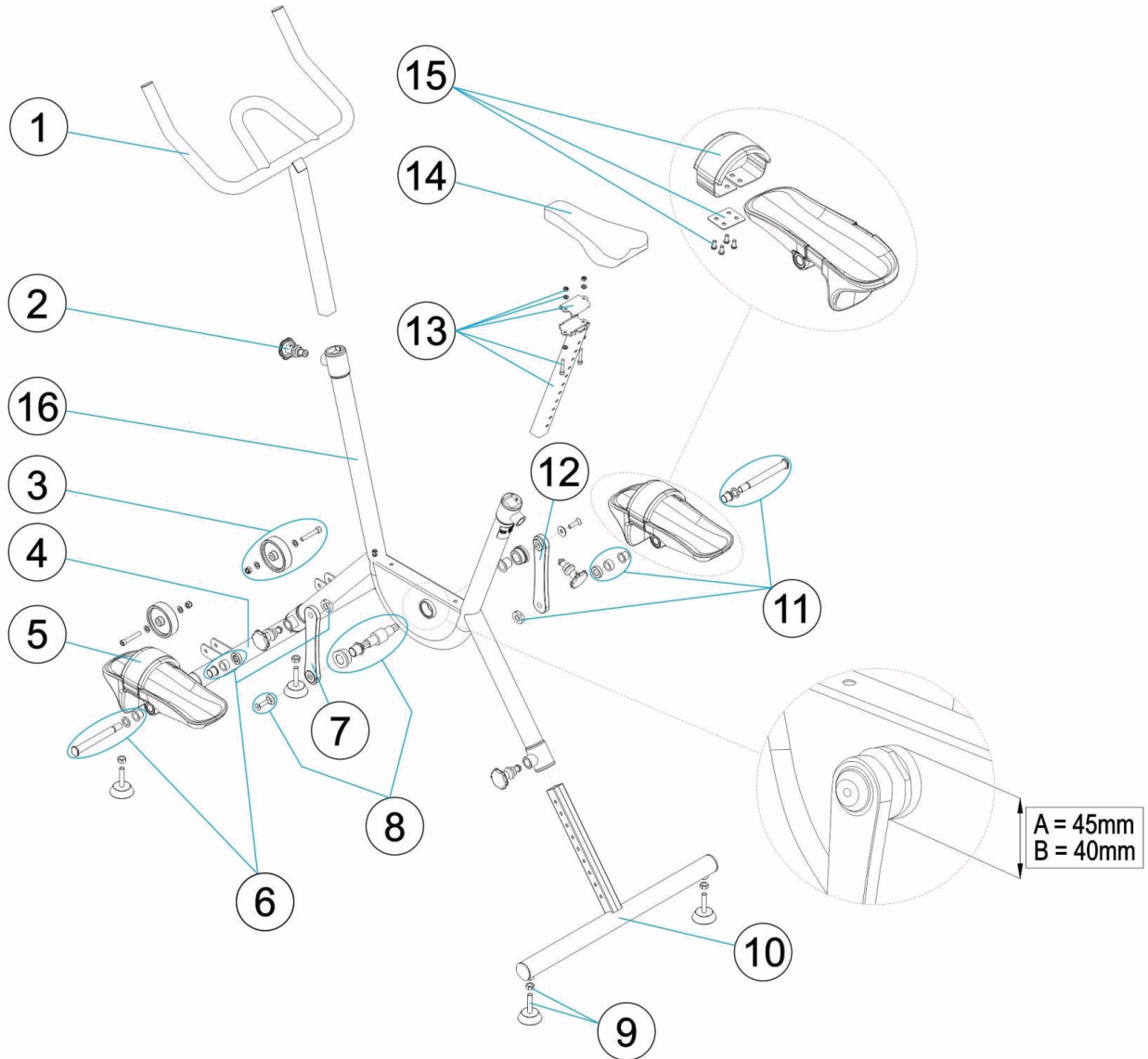
DESCRIPTION: **EXERCISE BIKE**

OBSERVATIONS

POS	CODE	OBSERVATIONS
6	4401110004	FOR: B=40mm
6	4401110015	FOR: A=45mm
7	4401110005	FOR: B=40mm
7	4401110016	FOR: A=45mm
8	4401110006	FOR: B=40mm
8	4401110017	FOR: A=45mm
11	4401110011	FOR: B=40mm
11	4401110019	FOR: A=45mm
12	4401110009	FOR: B=40mm
12	4401110018	FOR: A=45mm
16	52089R0100	FOR: B=40mm
16	52089R1100	FOR: A=45mm

CODICE 52089

DESCRIZIONE: BICICLETTA STATICA



ITALIANO

POS	CODICE	DESCRIZIONE	POS	CODICE	DESCRIZIONE
1	4401110000	MANUBRIO	9	4401110007	FERMI STRUTTURA
2	4401110001	KIT POMELLO FISSAGGIO D.50 M10	10	4401110008	PIEDE POSTERIORE
3	4401110002	RUOTA NYLON D. 80 X 22 BIANCA	11	* 4401110019	COMPLESSO UNIONE PEDALE DESTRO
4	4401110010	PIEDE ANTERIORE	11	* 4401110011	COMPLESSO UNIONE PEDALE DESTRO
5	4401110003	PEDALE	12	* 4401110018	BIELLA DESTRA
6	* 4401110015	COMPLESSO UNIONE PEDALE SINISTRO	12	* 4401110009	BIELLA DESTRA
6	* 4401110004	COMPLESSO UNIONE PEDALE SINISTRO	13	4401110012	SUPPORTO SELLINO
7	* 4401110016	BIELLA SINISTRA	14	4401110013	SELLINO
7	* 4401110005	BIELLA SINISTRA	15	4401110014	FERMAPIEDE
8	* 4401110017	COMPLESSO ASSE	16	* 52089R1100	STRUTTURA PRINCIPALE
8	* 4401110006	COMPLESSO ASSE	16	* 52089R0100	STRUTTURA PRINCIPALE

* -> SI FACCIA RIFERIMENTO AL FOGLIO DELLE OSSERVAZIONI

CODICE **52089**

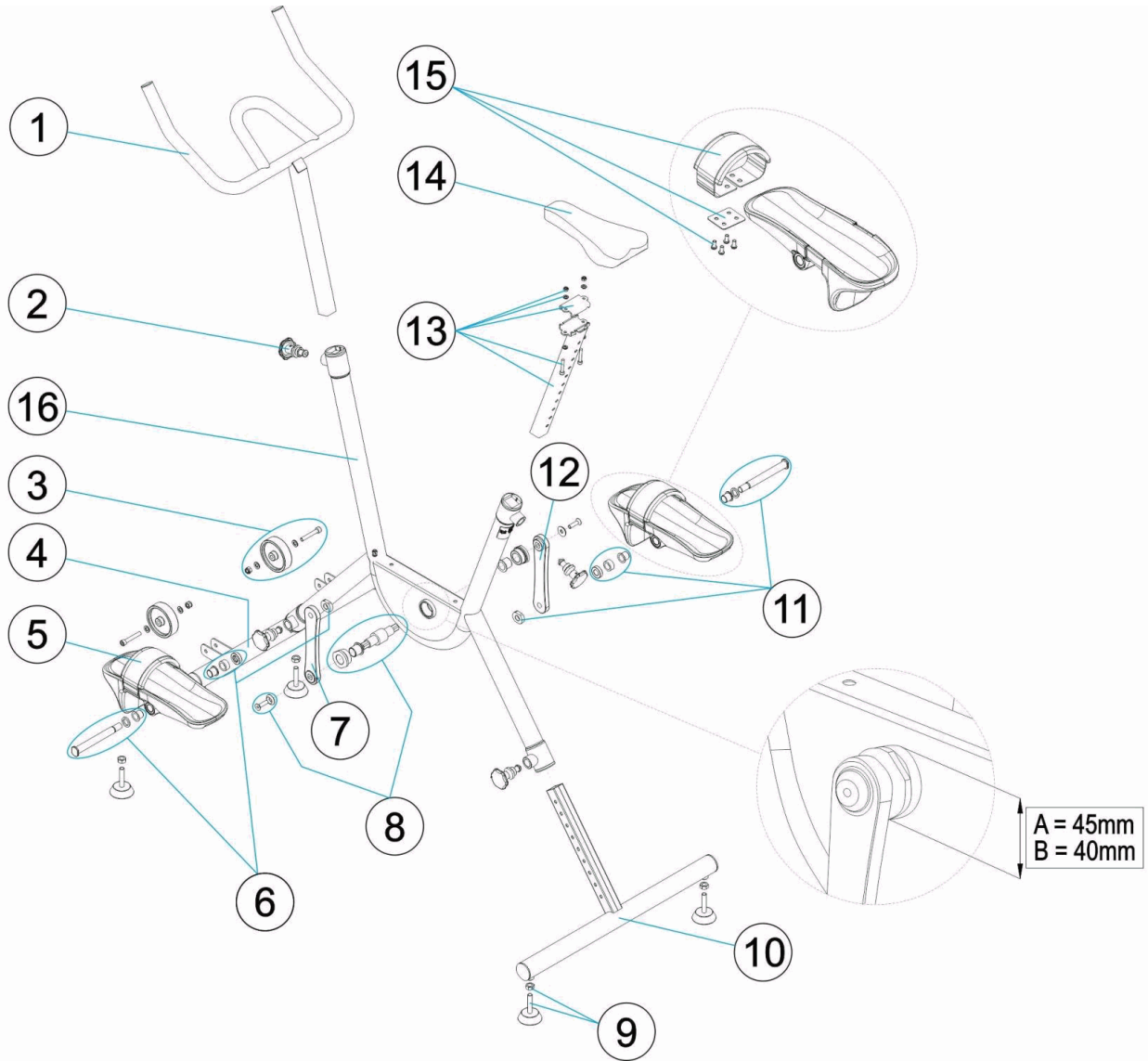
DESCRIZIONE: **BICICLETTA STATICA**

OSSERVAZIONI

POS	CODICE	OSSERVAZIONI
6	4401110004	PER: B=40mm
6	4401110015	PER: A=45mm
7	4401110005	PER: B=40mm
7	4401110016	PER: A=45mm
8	4401110006	PER: B=40mm
8	4401110017	PER: A=45mm
11	4401110011	PER: B=40mm
11	4401110019	PER: A=45mm
12	4401110009	PER: B=40mm
12	4401110018	PER: A=45mm
16	52089R0100	PER: B=40mm
16	52089R1100	PER: A=45mm

CODE 52089

BESCHREIBUNG: HOMETRAINER



DEUTSCH

POS	CODE	BESCHREIBUNG	POS	CODE	BESCHREIBUNG
1	4401110000	LENKSTANGE	9	4401110007	ABSCHLUSS STRUKTUR
2	4401110001	SET DREHGRIFFF FIXIERUNG D. 50 M-10	10	4401110008	FUSS HINTEN
3	4401110002	RAD NYLON D. 80 X 22 WEISS	11	* 4401110019	SET VERBINDUNG PEDAL RECHTS
4	4401110010	FUSS VORNE	11	* 4401110011	SET VERBINDUNG PEDAL RECHTS
5	4401110003	PEDAL	12	* 4401110018	TRETKURBEL RECHTS
6	* 4401110015	SET VERBINDUNG PEDAL LINKS	12	* 4401110009	TRETKURBEL RECHTS
6	* 4401110004	SET VERBINDUNG PEDAL LINKS	13	4401110012	HALTERUNG SITZ
7	* 4401110016	TRETKURBEL LINKS	14	4401110013	SATTEL
7	* 4401110005	TRETKURBEL LINKS	15	4401110014	BEFESTIGUNGSSCHLEIFE PEDAL
8	* 4401110017	SET ACHSE	16	* 52089R1100	HAUPTSTRUKTUR
8	* 4401110006	SET ACHSE	16	* 52089R0100	HAUPTSTRUKTUR

CODE **52089**

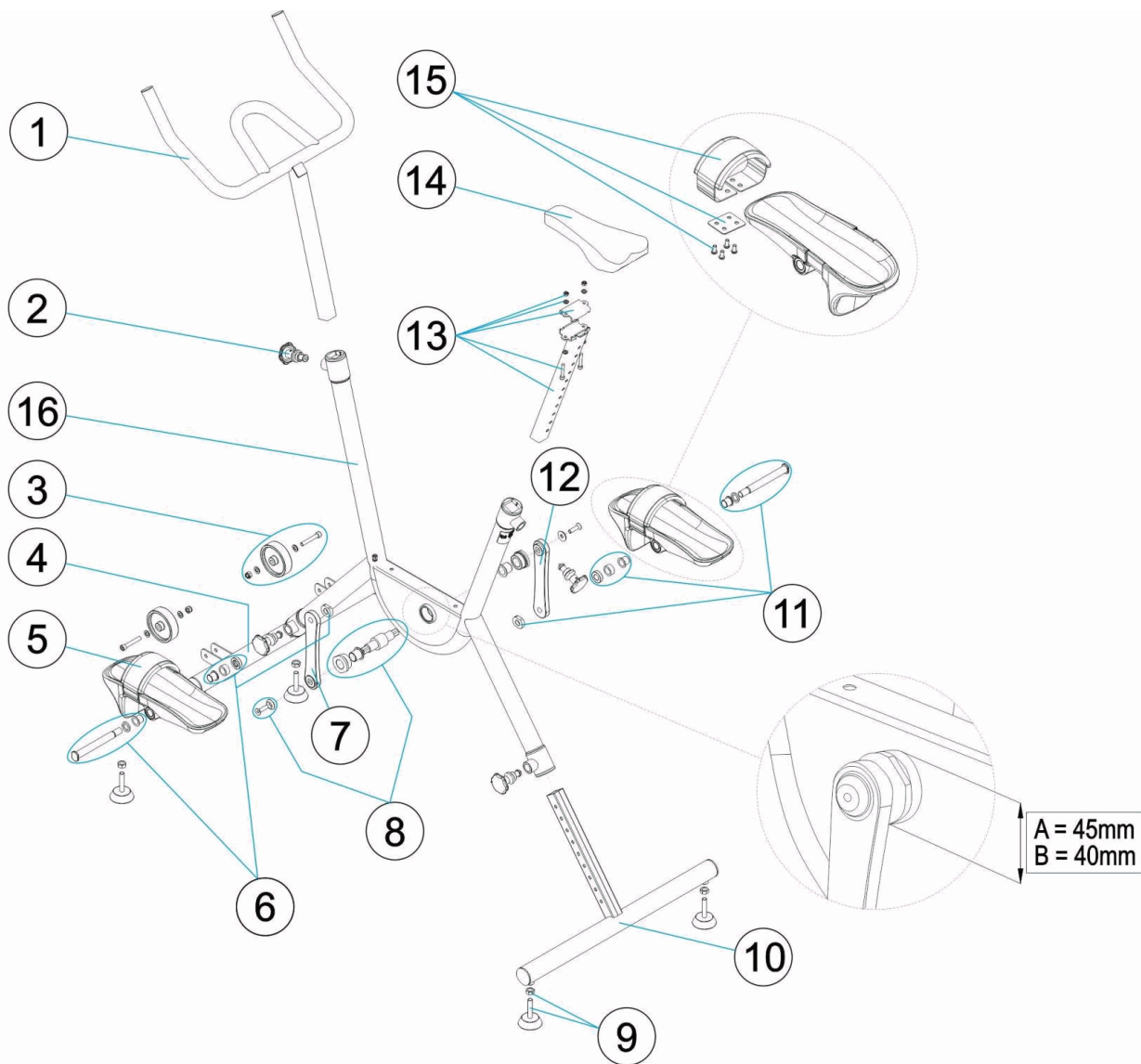
BESCHREIBUNG: **HOMETRAINER**

HINWEISE

POS	CODE	HINWEISE
6	4401110004	FÜR: B=40mm
6	4401110015	FÜR: A=45mm
7	4401110005	FÜR: B=40mm
7	4401110016	FÜR: A=45mm
8	4401110006	FÜR: B=40mm
8	4401110017	FÜR: A=45mm
11	4401110011	FÜR: B=40mm
11	4401110019	FÜR: A=45mm
12	4401110009	FÜR: B=40mm
12	4401110018	FÜR: A=45mm
16	52089R0100	FÜR: B=40mm
16	52089R1100	FÜR: A=45mm

CODIGO **52089**

DESCRIÇÃO: **BICICLETA ESTÁTICA**



PORTUGUES

POS	CODIGO	DESCRIÇÃO	POS	CODIGO	DESCRIÇÃO
1	4401110000	GUIADOR	9	4401110007	BATENTE ESTRUTURA
2	4401110001	CJTO. PUXADOR FIXAÇÃO D.50 M10	10	4401110008	PÉ POSTERIOR
3	4401110002	RODA NYLON D. 80 X 22 BRANCA	11	* 4401110019	CJTO. UNIÃO PEDAL DIREITO
4	4401110010	PERNA DIANTEIRA	11	* 4401110011	CJTO. UNIÃO PEDAL DIREITO
5	4401110003	PEDAL	12	* 4401110018	BIELA DIREITA
6	* 4401110015	CJTO. UNIÃO PEDAL ESQUERDO	12	* 4401110009	BIELA DIREITA
6	* 4401110004	CJTO. UNIÃO PEDAL ESQUERDO	13	4401110012	SUPORTE SELIM
7	* 4401110016	BIELA ESQUERDA	14	4401110013	SELIM
7	* 4401110005	BIELA ESQUERDA	15	4401110014	FITA APERTO PEDAL
8	* 4401110017	CJTO. EIXO	16	* 52089R1100	ESTRUTURA PRINCIPAL
8	* 4401110006	CJTO. EIXO	16	* 52089R0100	ESTRUTURA PRINCIPAL

*** -> VEJA A FICHA DE OBSERVAÇÕES**

CODIGO 52089

DESCRIÇÃO: BICICLETA ESTÁTICA

OBSERVAÇÕES

POS	CODIGO	OBSERVAÇÕES
6	4401110004	PARA: B=40mm
6	4401110015	PARA: A=45mm
7	4401110005	PARA: B=40mm
7	4401110016	PARA: A=45mm
8	4401110006	PARA: B=40mm
8	4401110017	PARA: A=45mm
11	4401110011	PARA: B=40mm
11	4401110019	PARA: A=45mm
12	4401110009	PARA: B=40mm
12	4401110018	PARA: A=45mm
16	52089R0100	PARA: B=40mm
16	52089R1100	PARA: A=45mm