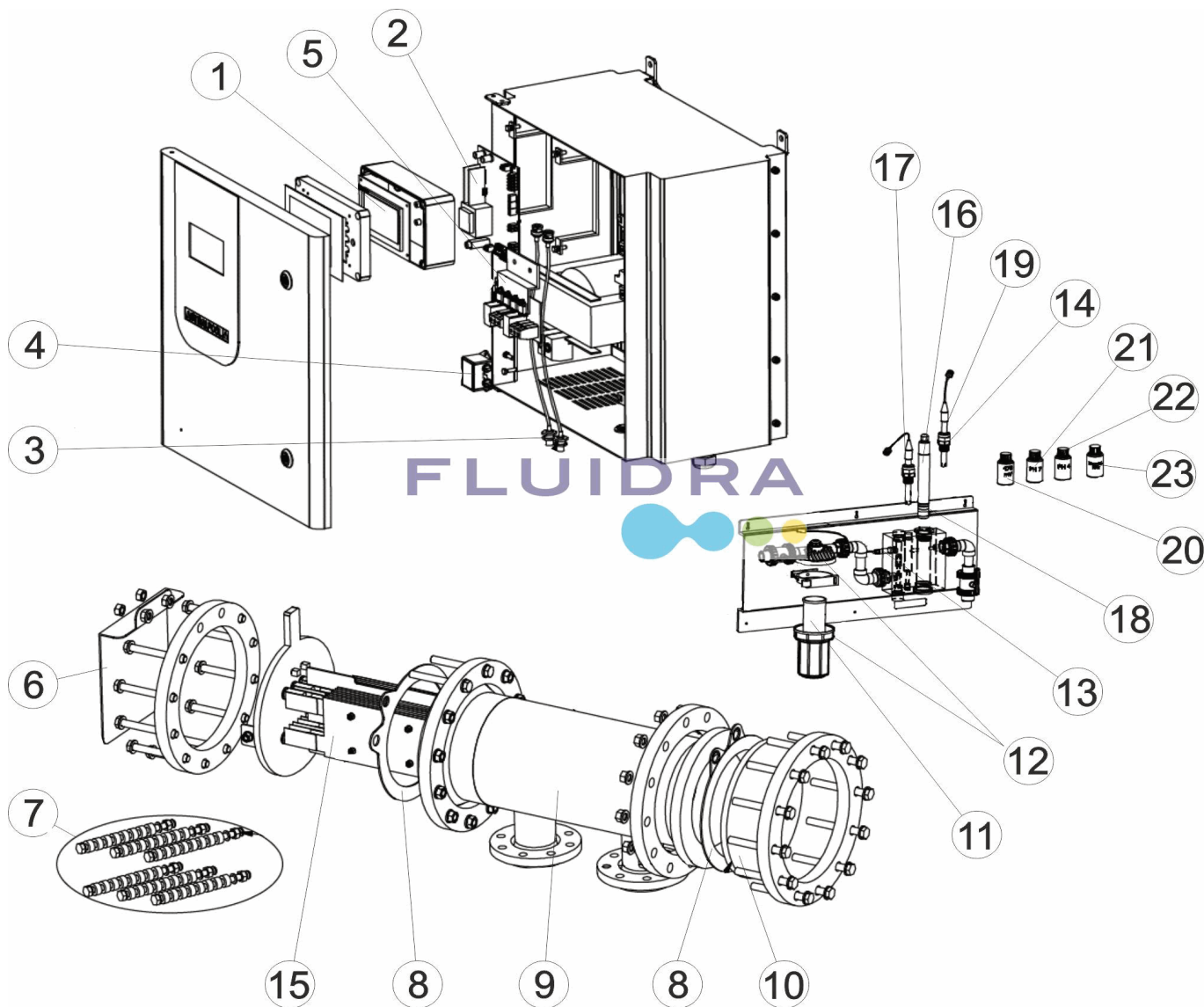


CODIGO 53810, 53815, 53820

DESCRIPCION: ELECTROLISIS PIS. COM. NATURE SALT



ESPAÑOL

POS	CODIGO	DESCRIPCION	POS	CODIGO	DESCRIPCION
1	* 4408040148	TARGETA VISUALIZADORA TACTIL DV1 EX	12	* 4408041538	CARTUCHO 80 MICRAS
1	* 4408040149	TARGETA VISUALIZADORA TACTIL DV1 EX2	13	* 4408041541	SENSOR INDUCTIVO DE CAUDAL
2	* 4408040080	PLACA CONTROL DV1-50 EX	14	* 4408041310	RACOR INSERCIÓN Sonda 12M/M.-1/2"
2	* 4408040081	PLACA CONTROL DV1-50 EXT-1/2	15	60680	ELECTRODO AUTO-LIMPIANTE D-50 LS
3	* 4408040088	LATIGUILLO BNC 0,7 EXTERNO	16	* 60645	SENSOR CLORO LIBRE
4	4408041021	FILTRO 230V A-65/A-120 EX/PLUS	17	* 60648	ELECTRODO COMBINADO PH
5	4408040087	TARJETA POTENCIA TIRISTORES DV1-50	18	* 60647	CABEZAL MEMBRANA SENSOR CLORO LIBRE
6	4408040078	PROTECTOR CONTACTOS D-120/180	19	* 60649	ELECTRODO ORP
7	4408041410	CJTO. TORNILLOS ANCLAJE ELECTRODOS	20	* 60633	SOLUCION CALIBRACION 470MV.
8	4408041518	JUNTA BRIDA CELULA D-100/150EX/+	21	* 60618	TAMPON PH 7.0 50 M/L. (VERDE)
9	4408040127	CELULA SISTEME ELECTROLISIS D-50 LS	22	* 60632	TAMPON PH 7.0 50 M/L. (ROJO)
10	4408041532	DISCO METACRILATO D.267/15 MM. D-100/150EX/+	23	* 60646	ELECTROLITO ECC1/GEL Sonda CL
11	* 4408041537	FILTRO CARTUCHO LAVABLE			

CODIGO 53810, 53815, 53820

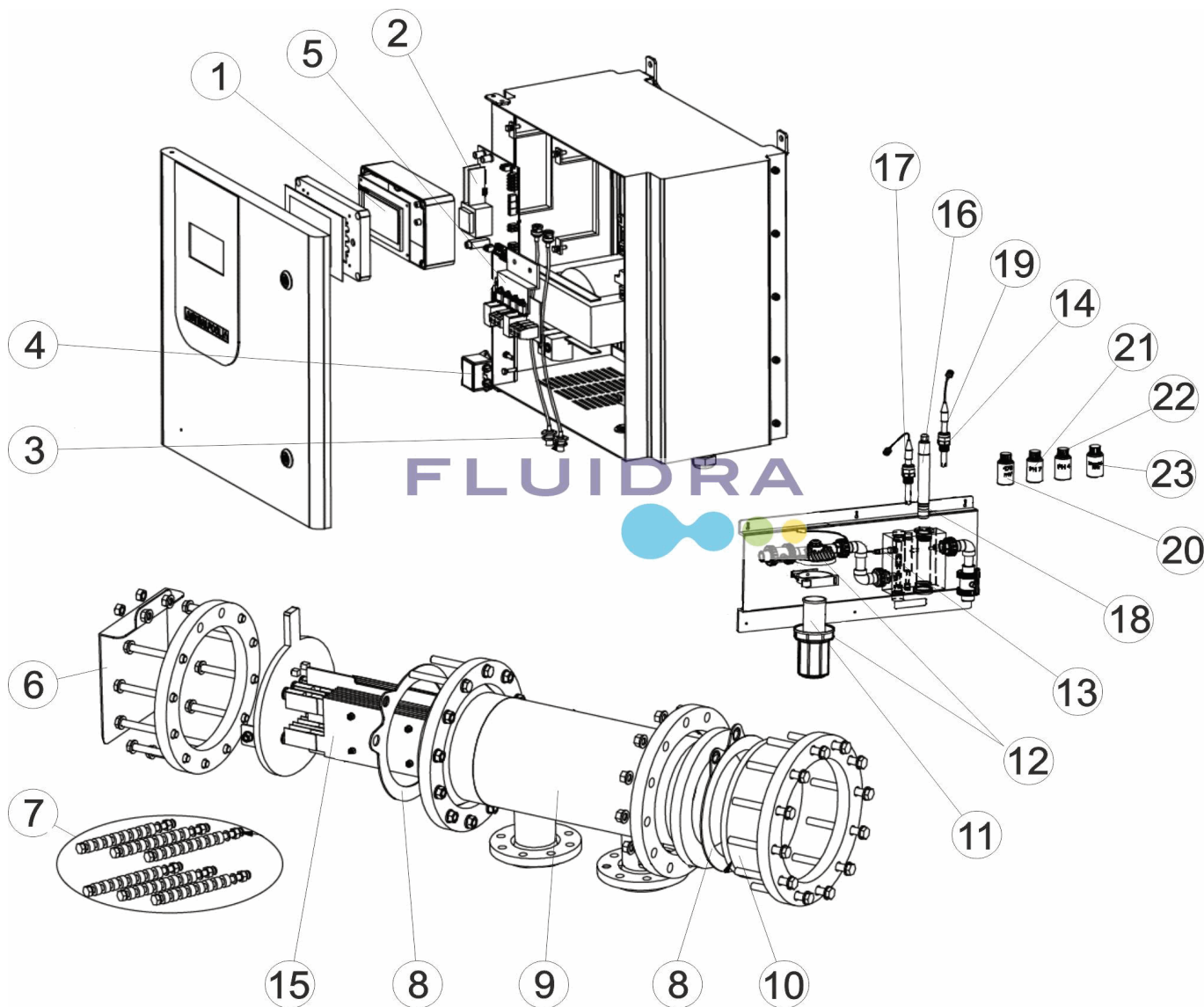
DESCRIPCION: ELECTROLISIS PIS. COM. NATURE SALT

OBSERVACIONES

POS	CODIGO	OBSERVACIONES
1	4408040148	PARA: 53810, 53815
1	4408040149	PARA: 53820
2	4408040080	PARA: 53810
2	4408040081	PARA: 53815, 53820
3	4408040088	PARA: 53815, 53820
11	4408041537	PARA: 53820
12	4408041538	PARA: 53820
13	4408041541	PARA: 53820
14	4408041310	PARA: 53815, 53820
16	60645	PARA: 53820
17	60648	PARA: 53815, 53820
18	60647	PARA: 53820
19	60649	PARA: 53815
20	60633	PARA: 53815
21	60618	PARA: 53815, 53820
22	60632	PARA: 53815, 53820
23	60646	PARA: 53820

CODE 53810, 53815, 53820

DESCRIPTION: ÉLECTRO. PISC. COMP. NATURE SALT



FRANCAIS

POS	CODE	DESCRIPTION	POS	CODE	DESCRIPTION
1	* 4408040148	CARTE AFFICHEUR ÉLECTROLYSE DV1 EX	12	* 4408041538	CARTOUCHE 80 MICRONS
1	* 4408040149	CARTE AFFICHEUR ÉLECTROLYSE DV1 EX2	13	* 4408041541	SONDE DE DÉBIT INDUCTIVE
2	* 4408040080	PLAQUE CONTRÔLE DV1-50 EX	14	* 4408041310	CONNECTEUR 12MM. - 1/2"
2	* 4408040081	PLAQUE CONTRÔLE DV1-50 EXT-1/2	15	60680	ELECTRODE AUTO-NETTOYANTE D-50 LS
3	* 4408040088	CÂBLE BNC 0,7	16	* 60645	SONDE DE CHLORE LIBRE
4	4408041021	FILTRE 230V A-65/A-120 EX/PLUS	17	* 60648	ELECTRODE COMBINÉE PH
5	4408040087	CARTE PUISSANCE DV1-50	18	* 60647	CAPSULE MEMBRANE POUR SONDE CHLORE LIBRE
6	4408040078	PROTECTEUR CONTACTS D-80 EX	19	* 60649	ELECTRODE ORP
7	4408041410	KIT DE VIS POUR FIXATION D'ÉLECTRODES	20	* 60633	SOLUTION CALIBRAGE 470 MV
8	4408041518	JOINT CELLULE D-100/150EX/+	21	* 60618	TAMPON PH 7,0 50 M/L. VERT
9	4408040127	CELLULE SYSTÈME ÉLECTROLYSE D-50 LS	22	* 60632	TAMPON PH 7,0 50 M/L. ROUGE
10	4408041532	DISQUE EN METACRYLATE D.267/15 MM.. D-100/150EX	23	* 60646	ELECTROLYTE
11	* 4408041537	FILTRE CARTOUCHE LAVABLE			

CODE **53810, 53815, 53820**

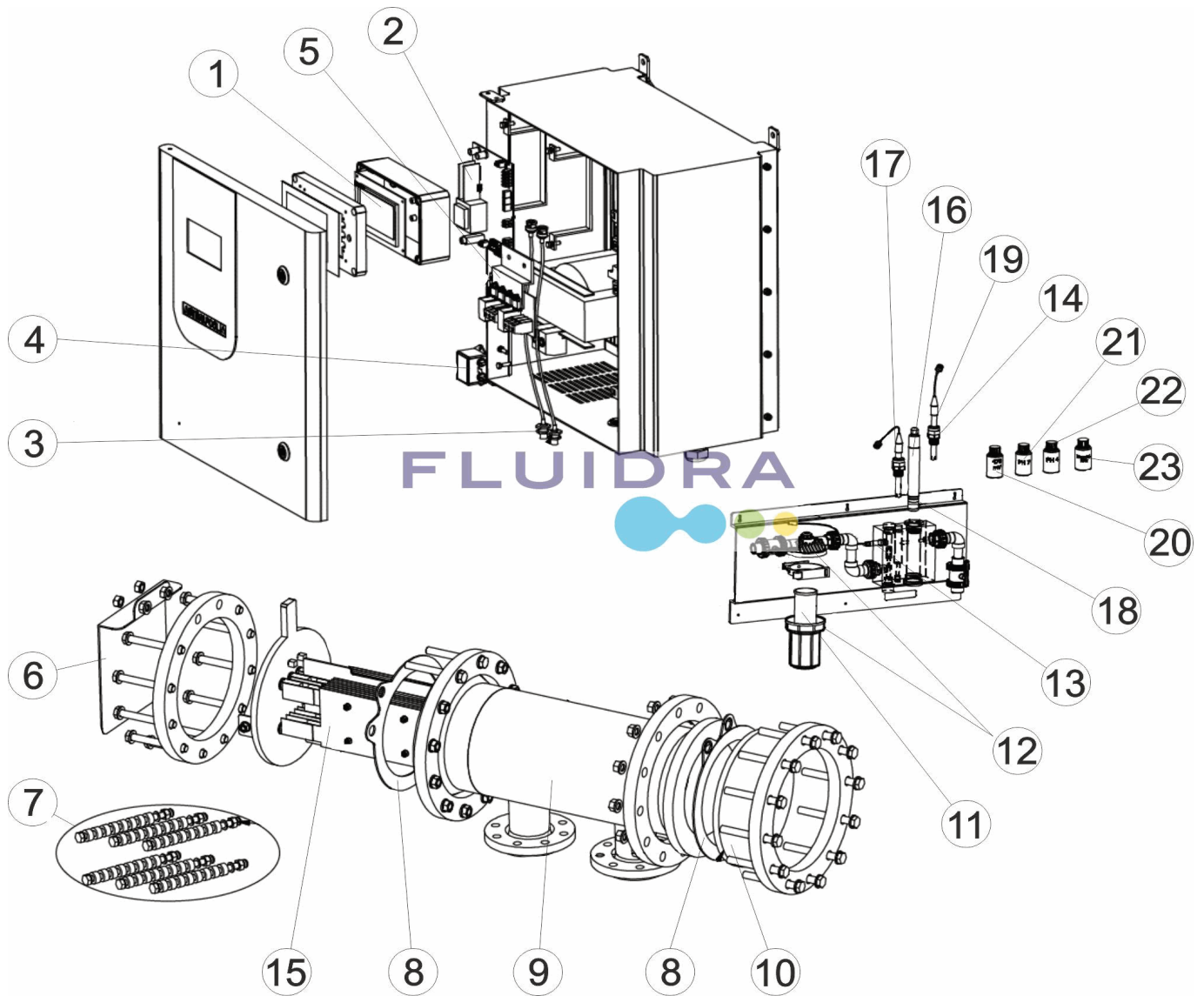
DESCRIPTION: **ÉLECTRO. PISC. COMP. NATURE SALT**

OBSERVATIONS

POS	CODE	OBSERVATIONS
1	4408040148	POUR: 53810, 53815
1	4408040149	POUR: 53820
2	4408040080	POUR: 53810
2	4408040081	POUR: 53815, 53820
3	4408040088	POUR: 53815, 53820
11	4408041537	POUR: 53820
12	4408041538	POUR: 53820
13	4408041541	POUR: 53820
14	4408041310	POUR: 53815, 53820
16	60645	POUR: 53820
17	60648	POUR: 53815, 53820
18	60647	POUR: 53820
19	60649	POUR: 53815
20	60633	POUR: 53815
21	60618	POUR: 53815, 53820
22	60632	POUR: 53815, 53820
23	60646	POUR: 53820

CODE **53810, 53815, 53820**

DESCRIPTION: **ELECTROLYSIS COMP. POOL NATURE SALT**



ENGLISH

POS	CODE	DESCRIPTION	POS	CODE	DESCRIPTION
1	* 4408040148	DV1 EX ELECTROLYSIS VIEWER CARD	12	* 4408041538	80 MICRONS CARTRIDGE
1	* 4408040149	DV1 EX2 ELECTROLYSIS VIEWER CARD	13	* 4408041541	INDUCTIVE FLOW SENSOR
2	* 4408040080	ELECTRONIC CARD DV1-50 EX	14	* 4408041310	CONNECTOR 12M/M. - 1/2"
2	* 4408040081	ELECTRONIC CARD DV1-50 EXT-1/2	15	60680	SELF-CLEANING D-50 LS
3	* 4408040088	BNC 0,7 EX CABLE	16	* 60645	FREE CHLORINE SENSOR
4	4408041021	FILTER 230V A-65/A-120 EX/PLUS	17	* 60648	ELECTRODE PH
5	4408040087	POWER CARD DV1-50	18	* 60647	MEMBRANE CAP FOR FREE CHLORINE SENSOR
6	4408040078	CONTAC PROTECTION D-80 EX	19	* 60649	ORP ELECTRODE
7	4408041410	SCREW KIT FOR ELECTRODE FIXATION	20	* 60633	CALIBRATION SOLUTION ORP 470 MV
8	4408041518	CELL GASKET D-100/150EX/+	21	* 60618	CALIBRATION SOLUTION PH 7.0 50 M/L.(GREEN)
9	4408040127	ELECTROLYSIS CELL SYSTEM D-50 LS	22	* 60632	CALIBRATION SOLUTION PH 7.0 (RED)
10	4408041532	METHACRYLATE DISK D.267/15 MM.. D-100/150EX/+	23	* 60646	ELECTROLITE
11	* 4408041537	WASHABLE CARTRIDGE FILTER			

CODE **53810, 53815, 53820**

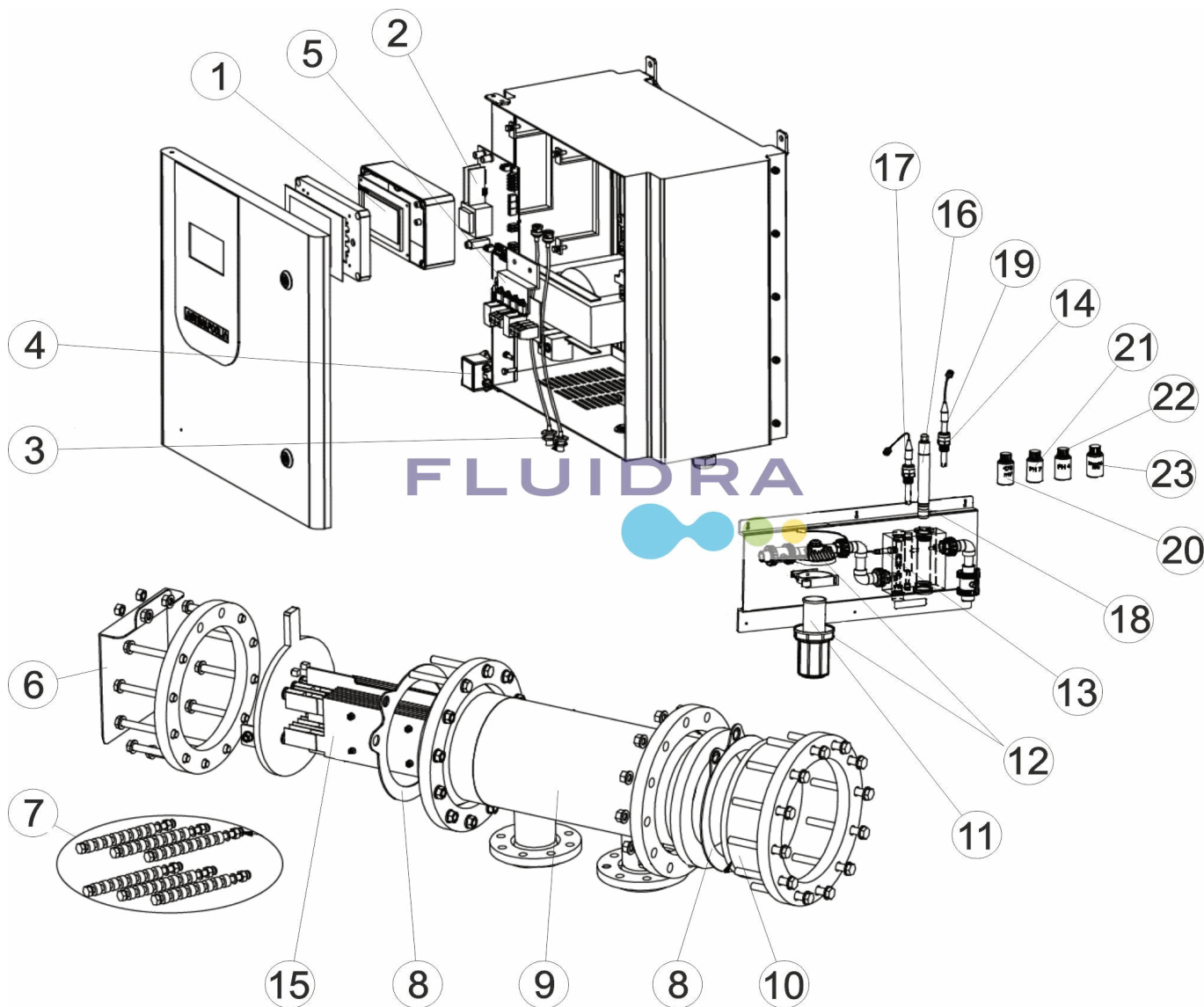
DESCRIPTION: **ELECTROLYSIS COMP. POOL NATURE SALT**

OBSERVATIONS

POS	CODE	OBSERVATIONS
1	4408040148	FOR: 53810, 53815
1	4408040149	FOR: 53820
2	4408040080	FOR: 53810
2	4408040081	FOR: 53815, 53820
3	4408040088	FOR: 53815, 53820
11	4408041537	FOR: 53820
12	4408041538	FOR: 53820
13	4408041541	FOR: 53820
14	4408041310	FOR: 53815, 53820
16	60645	FOR: 53820
17	60648	FOR: 53815, 53820
18	60647	FOR: 53820
19	60649	FOR: 53815
20	60633	FOR: 53815
21	60618	FOR: 53815, 53820
22	60632	FOR: 53815, 53820
23	60646	FOR: 53820

CODICE 53810, 53815, 53820

DESCRIZIONE: ELETTROLISI PISC. COMP. NATURE SALT



ITALIANO

POS	CODICE	DESCRIZIONE	POS	CODICE	DESCRIZIONE
1	* 4408040148	SCHEDA VISORE ELETTROLISI DV1 EX	12	* 4408041538	CARTUCCIA 80 MICRON
1	* 4408040149	SCHEDA VISORE ELETTROLISI DV1 EX2	13	* 4408041541	SONDA DI FLUSSO INDUTTIVA
2	* 4408040080	SCHEDA DV1-50 EX	14	* 4408041310	CONNETTORE 12M/M. - 1/2"
2	* 4408040081	SCHEDA DV1-50 EXT-1/2	15	60680	ELETTRODO AUTOPULENTI D-50 LS
3	* 4408040088	CAVO BNC 0,7	16	* 60645	SONDA DI CLORO LIBERO
4	4408041021	FILTRE 230V A-65/A-120 EX/PLUS	17	* 60648	ELETTRODO COMBINATO PH
5	4408040087	CARTA POTENZA DV1-50	18	* 60647	TAPPO MEMBRANA PER Sonda CLORO LIBERO
6	4408040078	PROTECTORE CONTATTI D-80 EX	19	* 60649	ELETTRODO RX
7	4408041410	KIT DI VITI PER FISSAGGIO DELL'ELETTRODO	20	* 60633	SOLUZIONE CALIBRAZIONE 470MV.
8	4408041518	GIUNTA CELLULA D-100/150EX/+	21	* 60618	SOLUZIONE TAMPONE PH 7,0 50 ML. VERDE
9	4408040127	CELLULA SISTEMA ELETTROLISI D-50 LS	22	* 60632	SOLUZIONE TAMPONE PH 7,0 50 ML. ROSSO
10	4408041532	DISC METACRILATO D.267/15 MM.. D-100/150EX/+	23	* 60646	ELETTROLITO
11	* 4408041537	FILTRO CARTUCCIA LAVABILE			

CODICE **53810, 53815, 53820**

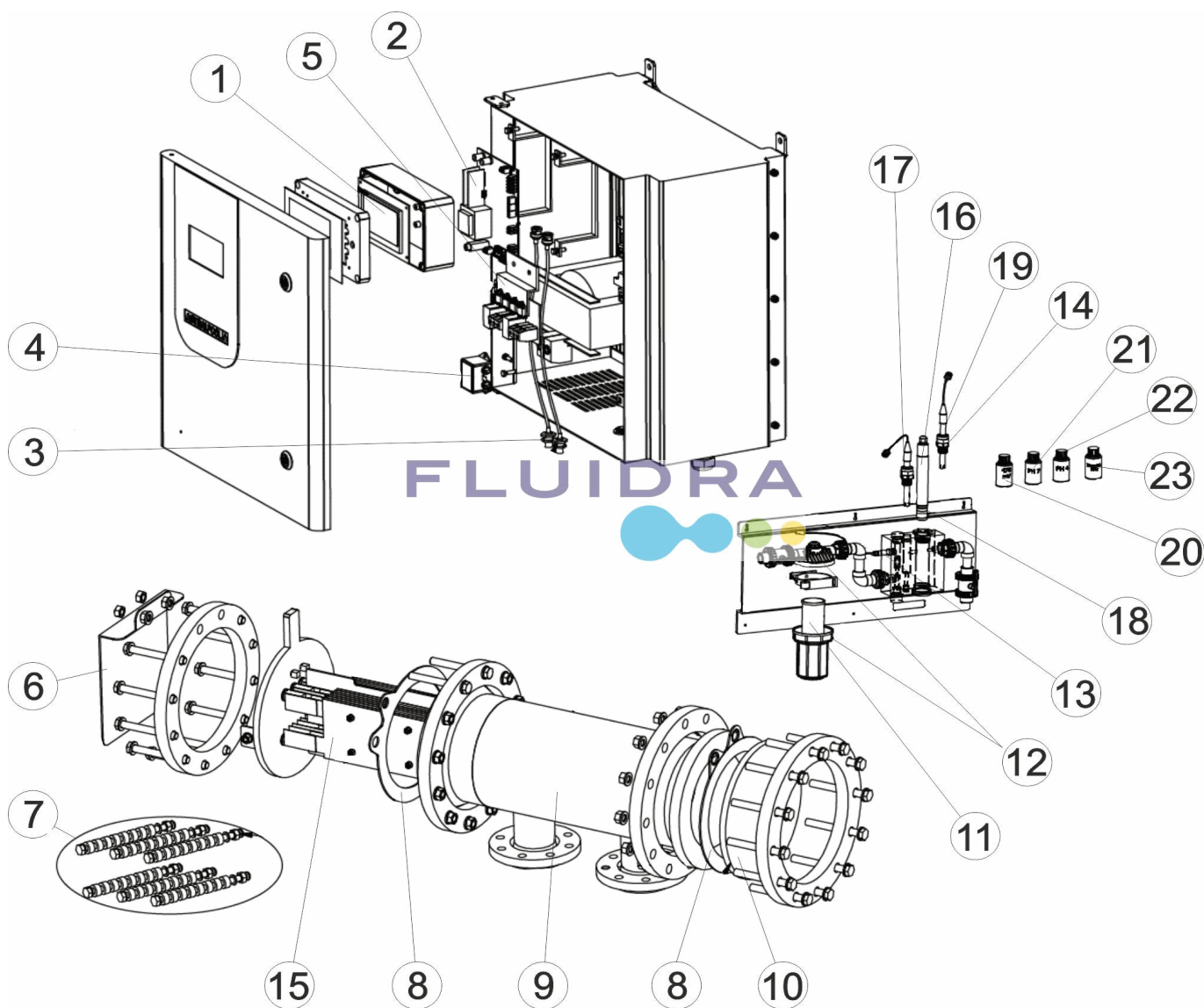
DESCRIZIONE: Elettrolisi pisc. comp. Nature Salt

OSSERVAZIONI

POS	CODICE	OSSERVAZIONI
1	4408040148	PER: 53810, 53815
1	4408040149	PER: 53820
2	4408040080	PER: 53810
2	4408040081	PER: 53815, 53820
3	4408040088	PER: 53815, 53820
11	4408041537	PER: 53820
12	4408041538	PER: 53820
13	4408041541	PER: 53820
14	4408041310	PER: 53815, 53820
16	60645	PER: 53820
17	60648	PER: 53815, 53820
18	60647	PER: 53820
19	60649	PER: 53815
20	60633	PER: 53815
21	60618	PER: 53815, 53820
22	60632	PER: 53815, 53820
23	60646	PER: 53820

CODE 53810, 53815, 53820

BESCHREIBUNG: ELEKTROLYSE WETTBEW.-SCHWIMMB. NATURE SALT



DEUTSCH

POS	CODE	BESCHREIBUNG	POS	CODE	BESCHREIBUNG
1	* 4408040148	ANZEIGEKARTE ELEKTROLYSE DV1 EX	12	* 4408041538	80-MIKRON PATRONE
1	* 4408040149	ANZEIGEKARTE ELEKTROLYSE DV1 EX2	13	* 4408041541	INDUKTIVER STRÖMUNGSMESSWERTGEBER
2	* 4408040080	SCHALTKARTE DV1-50 EX	14	* 4408041310	VERBINDUNGSTÜCK 12MM. - 1/2"
2	* 4408040081	SCHALTKARTE DV1-50 EXT-1/2	15	60680	SELBSTREINIGENDER ELEKTRODE D-50 LS
3	* 4408040088	BNC 0,7 KABEL	16	* 60645	FREIER CHLOR-SENSOR
4	4408041021	FILTER 230V A-65/A-120 EX/PLUS	17	* 60648	ELEKTRODE PH
5	4408040087	KRAFTKARTE DV1-50	18	* 60647	MEMBRANEN-KAPPE FÜR FREIEN CHLOR-SENSOR
6	4408040078	KONTAKTSCHUTZ D-80 EX	19	* 60649	ORP ELEKTRODE
7	4408041410	SCHRAUBENSATZ FÜR ELEKTRODEN FIXATION	20	* 60633	KALIBRIERUNGSLÖSUNG ORP 470 MV
8	4408041518	ZELLENDICHTUNG D-100/150EX/+	21	* 60618	KALIBRIERUNGSLÖSUNG PH 7.0 50 M/L. (ROT)
9	4408040127	ZELLE ELEKTROLYSE-SYSTEM D-50 LS	22	* 60632	KALIBRIERUNGSLÖSUNG PH 7.0 (GRÜN)
10	4408041532	METHACRYLAT-SCHEIBE D.267/15 MM.. D-100/150EX	23	* 60646	ELEKTROLYT
11	* 4408041537	WASCHBAER PATRONENFILTER			

CODE **53810, 53815, 53820**

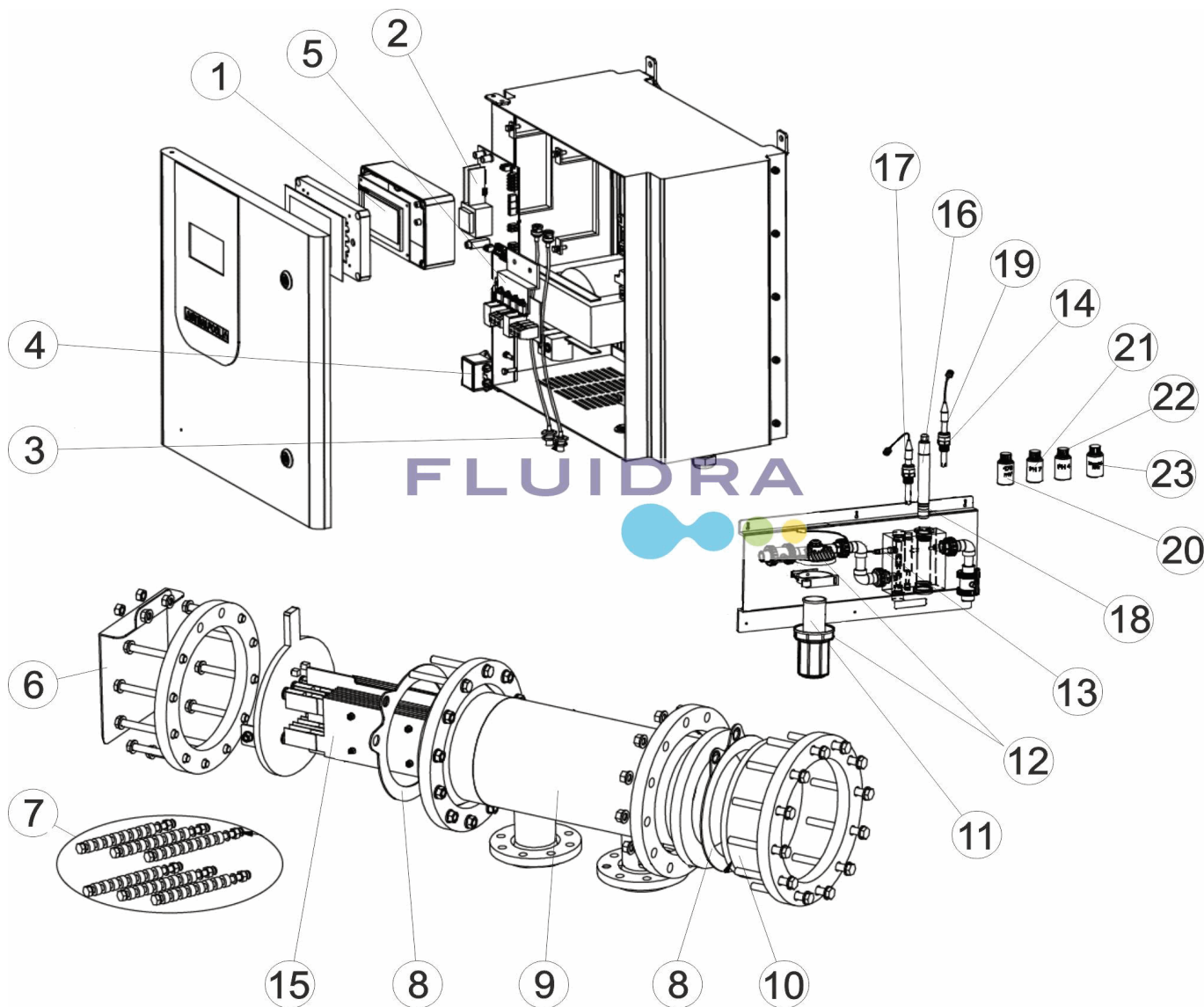
BESCHREIBUNG: **ELEKTROLYSE WETTBEW.-SCHWIMMB. NATURE SALT**

HINWEISE

POS	CODE	HINWEISE
1	4408040148	FÜR: 53810, 53815
1	4408040149	FÜR: 53820
2	4408040080	FÜR: 53810
2	4408040081	FÜR: 53815, 53820
3	4408040088	FÜR: 53815, 53820
11	4408041537	FÜR: 53820
12	4408041538	FÜR: 53820
13	4408041541	FÜR: 53820
14	4408041310	FÜR: 53815, 53820
16	60645	FÜR: 53820
17	60648	FÜR: 53815, 53820
18	60647	FÜR: 53820
19	60649	FÜR: 53815
20	60633	FÜR: 53815
21	60618	FÜR: 53815, 53820
22	60632	FÜR: 53815, 53820
23	60646	FÜR: 53820

CODIGO **53810, 53815, 53820**

DESCRIÇÃO: **ELETRÓLISE PIS. COM. NATURE SALT**



PORTUGUES

POS	CODIGO	DESCRIÇÃO	POS	CODIGO	DESCRIÇÃO
1	* 4408040148	PLACA VISUALIZAÇÃO ELECTRÓLISE DV1 EX	12	* 4408041538	CARTUCHO 80 MÍCRONS
1	* 4408040149	PLACA VISUALIZAÇÃO ELECTRÓLISE DV1 EX2	13	* 4408041541	SONDA DE CAUDAL INDUTIVA
2	* 4408040080	PLACA CONTROLO DV1-50 EX	14	* 4408041310	CONECTOR 12M/M. - 1/2"
2	* 4408040081	PLACA CONTROLO DV1-50 EXT-1/2	15	60680	ELECTRODO AUTO-LIMPANT. D-50 LS
3	* 4408040088	CABO BNC 0,7	16	* 60645	SONDA DE CLORO LIVRE
4	4408041021	FILTRO 230V A-65/A-120 EX/PLUS	17	* 60648	ELECTRODO COMBINADO PH
5	4408040087	TARJETA POTÊNCIA DV1-50	18	* 60647	CÁPSULA MEMBRANA PARA SONDA CLORO LIVRE
6	4408040078	PROTECTOR CONTACTOS D-80 EX	19	* 60649	ELECTRODO ORP
7	4408041410	CJTO.PARAFUSOS DE FIXAÇÃO DE ELECTRODOS	20	* 60633	SOLUÇÃO TAMPÃO 470 MV
8	4408041518	JUNTA CELULA D-100/D-150EX/+	21	* 60618	SOLUÇÃO TAMPÃO PH 7.0 50 M/L.
9	4408040127	CÉLULA SISTEMA ELECTRÓLISE D-50 LS	22	* 60632	SOLUÇÃO TAMPÃO PH 7.0
10	4408041532	DISCO METACRILATO D.267/15 MM.. D-100/150EX/+	23	* 60646	ELECTROLITO
11	* 4408041537	FILTRO CARTUCHO LAVÁVEL			

CODIGO 53810, 53815, 53820

DESCRIÇÃO: ELETRÓLISE PIS. COM. NATURE SALT

OBSERVAÇÕES

POS	CODIGO	OBSERVAÇÕES
1	4408040148	PARA: 53810, 53815
1	4408040149	PARA: 53820
2	4408040080	PARA: 53810
2	4408040081	PARA: 53815, 53820
3	4408040088	PARA: 53815, 53820
11	4408041537	PARA: 53820
12	4408041538	PARA: 53820
13	4408041541	PARA: 53820
14	4408041310	PARA: 53815, 53820
16	60645	PARA: 53820
17	60648	PARA: 53815, 53820
18	60647	PARA: 53820
19	60649	PARA: 53815
20	60633	PARA: 53815
21	60618	PARA: 53815, 53820
22	60632	PARA: 53815, 53820
23	60646	PARA: 53820