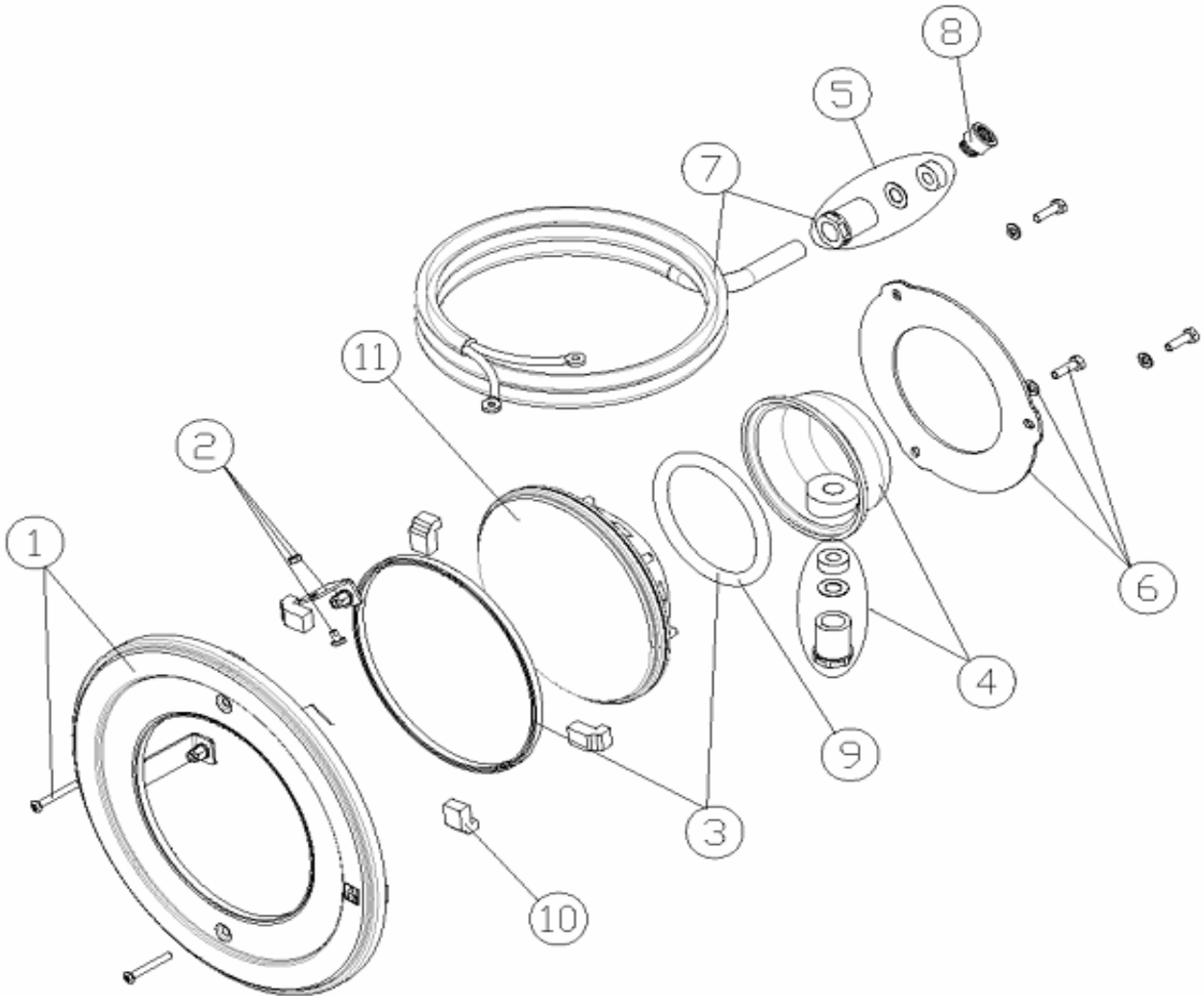


CODE **54098**

BESCHREIBUNG: **SCHEINWERFER D. 295 LED 2.0 WHITE**

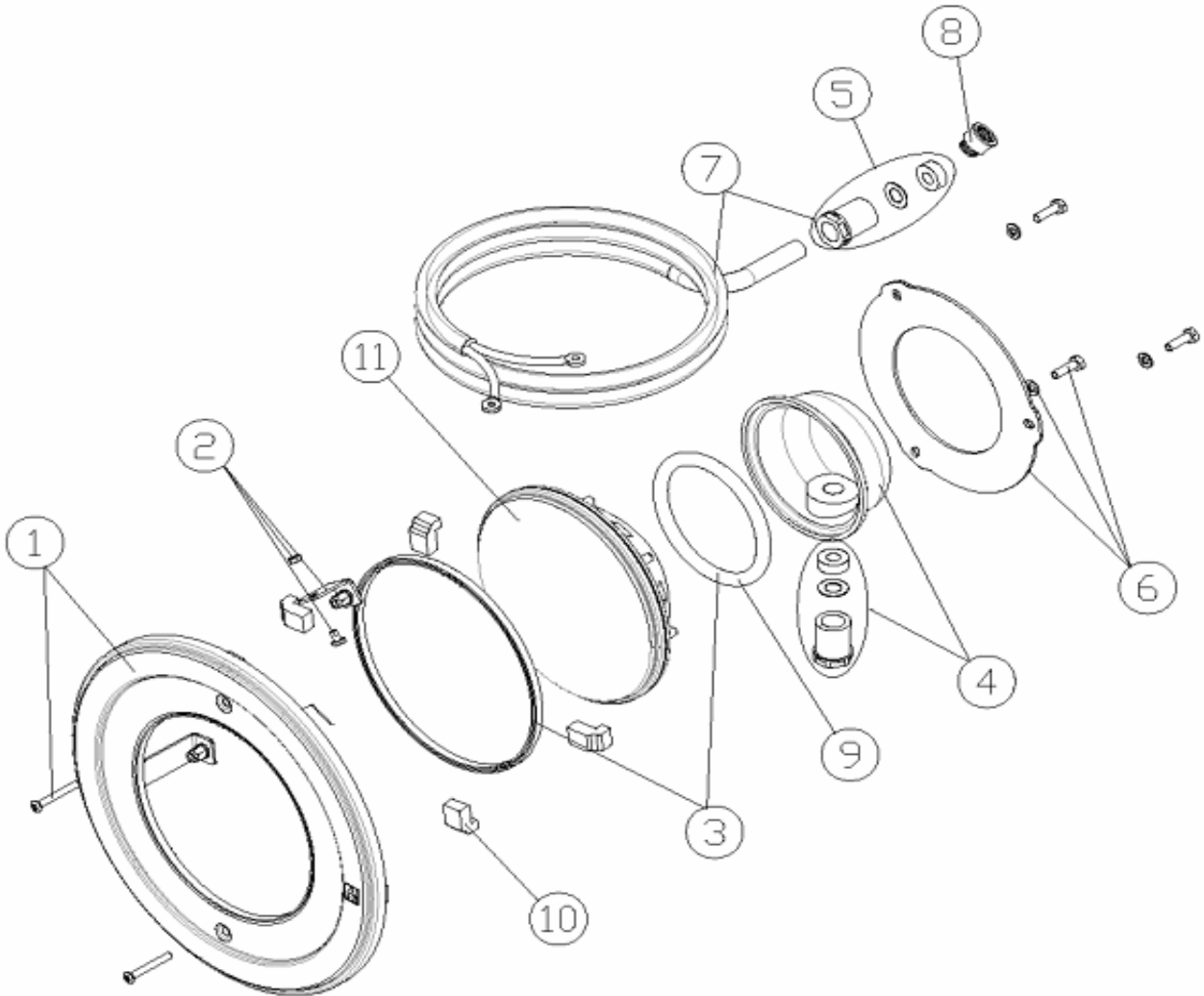


**DEUTSCHE**

POS	CODE	BESCHREIBUNG	POS	CODE	BESCHREIBUNG
1	4403010056	BLENDENSATZ UWS	7	4403010053	KABEL UWS
2	4403010025	FIXIERUNG ABNEHMBARER RING	8	4403013707	MUFFE M-25 PG16
3	4403010026	PROFIL HALTERUNG LAMPE + O-RING	9	4403010054	O-RING UWS
4	4403010051	LAMPENGHÄUSE UWS	10	4403010057	STOP RING
5	4403010052	SET QUETSCHVERSCHRAUBUNG	11	43412R0500	LAMPE LEDS 2.0 WHITE
6	4403010028	BEFESTIGUNGSLASCHE DECKEL LAMPE			

CODE **54098**

DESCRIPTION: **LIGHT D. 295 LED 2.0 WHITE**

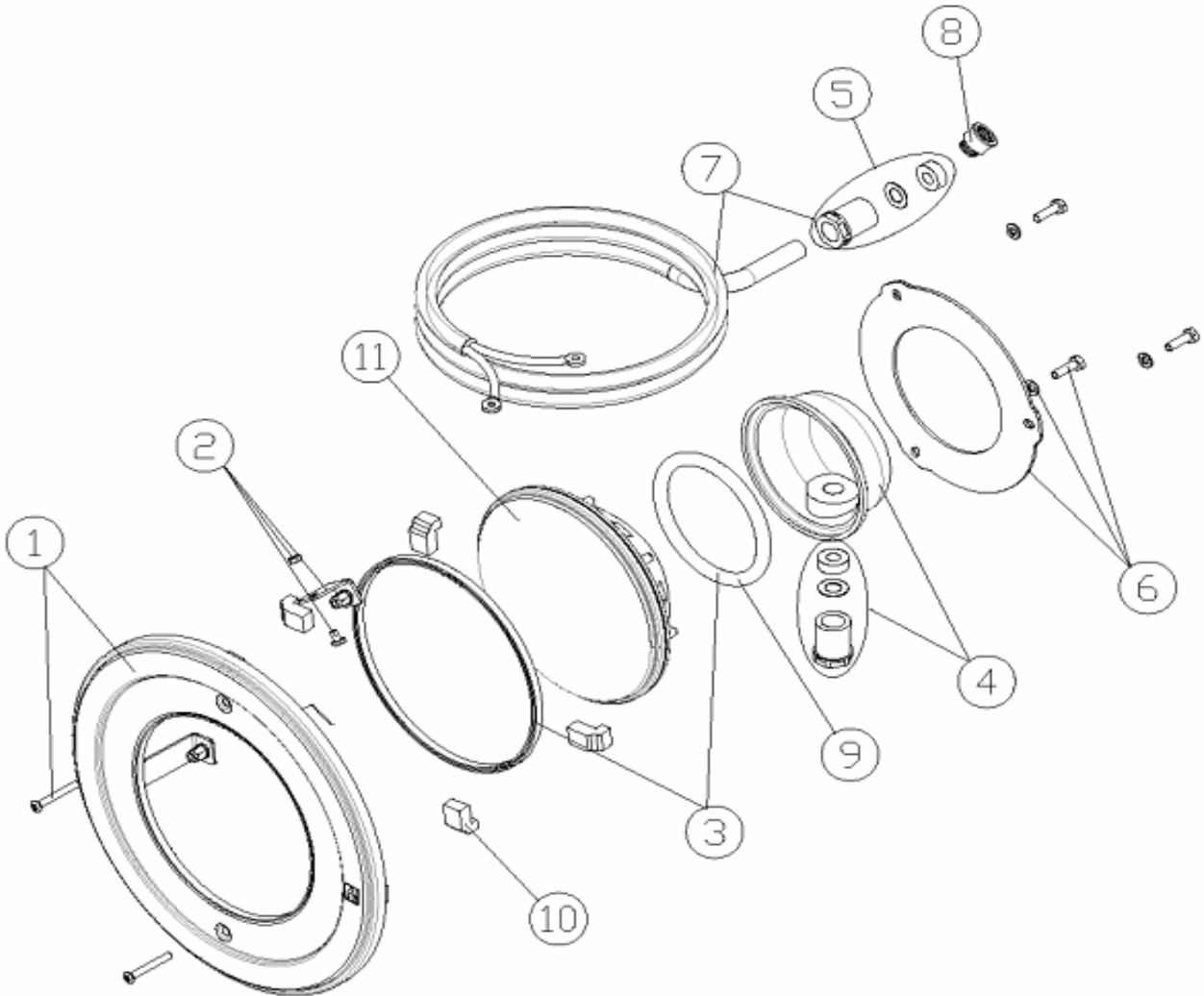


**ENGLISH**

POS	CODE	DESCRIPTION	POS	CODE	DESCRIPTION
1	4403010056	LAMP FIXING RING	7	4403010053	LIGHT CABLE
2	4403010025	FIXINGS FOR REMOVABLE RING	8	4403013707	SOCKET ADAPTOR M-25 PG16
3	4403010026	LAMP SUPPORT PROFILE + O-RING SEAL	9	4403010054	LIGHT O RING
4	4403010051	LIGHT CONNECTING COVER	10	4403010057	RING BUTT
5	4403010052	GLAND SEAL ASSY.	11	43412R0500	LAMPELC LEDS 2.0 WHITE
6	4403010028	LAMP COVER FIXING FLANGE			

CODIGO **54098**

DESCRIPCION: **FOCO D. 295 LED 2.0 BLANCO**

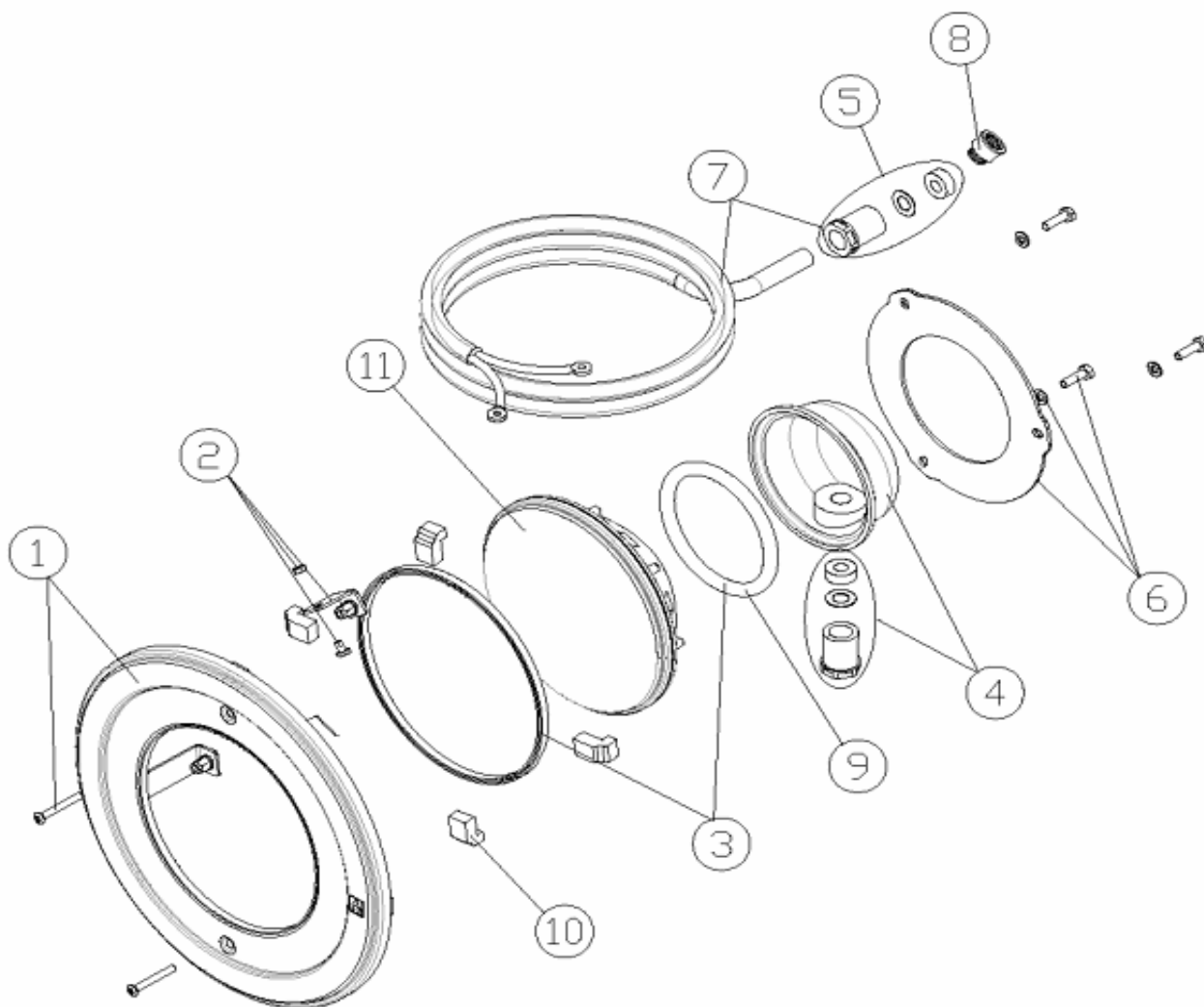


**ESPAÑOL**

POS	CODIGO	DESCRIPCION	POS	CODIGO	DESCRIPCION
1	4403010056	ARO FIJACION LAMPARA	7	4403010053	CABLE PROYECTOR
2	4403010025	FIJACION ARO DESMONTABLE	8	4403013707	MANGUITO CONVERTIDOR M-25 PG16
3	4403010026	PERFIL APOYO LAMPARA + JUNTA TORICA	9	4403010054	JUNTA TORICA PROYECTOR
4	4403010051	TAPA CONEXIÓN LAMPARA	10	4403010057	TOPE ARO PROYECTOR
5	4403010052	CJTO. PRENSAESTOPAS	11	43412R0500	LAMPARA LEDS 2.0 BLANCA
6	4403010028	BRIDA SUJECION TAPA LAMPARA			

CODE **54098**

DESCRIPTION: **PROJECTEUR D. 295 LED 2.0 BLANC**

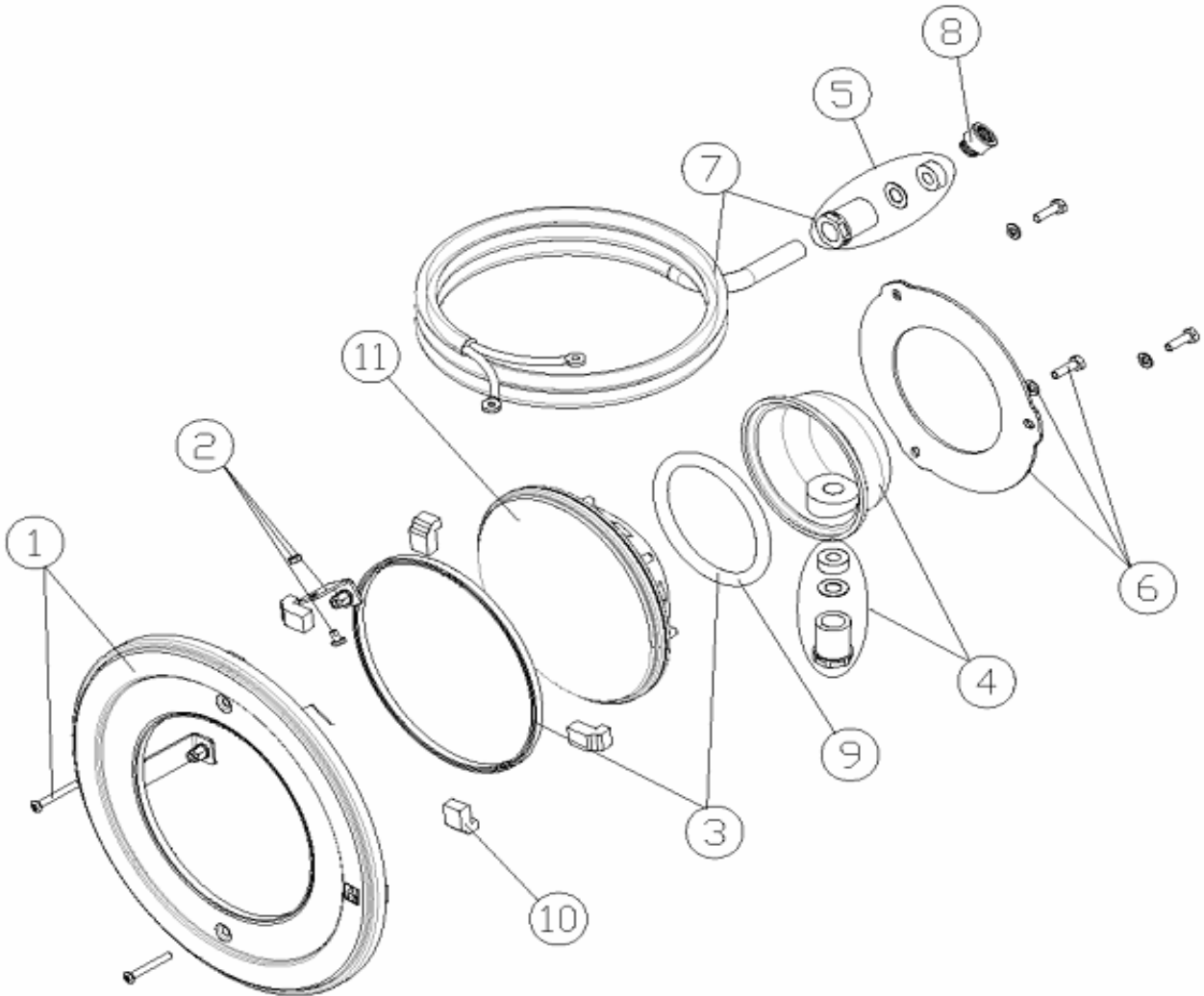


**FRANCAIS**

POS	CODE	DESCRIPTION	POS	CODE	DESCRIPTION
1	4403010056	BRIDE DE FIXATION LAMPE	7	4403010053	CABLE PROJECTEUR
2	4403010025	FIXATION ANNEAU DÉMONTABLE	8	4403013707	MANCHE CONVERTISSEUR M-25 PG16
3	4403010026	PROFIL APPUI LAMPE + JOINT TORIQUE	9	4403010054	JOINT TORIQUE PROJECTEUR
4	4403010051	NICHE PROJECTEUR	10	4403010057	JONC D'ARRÊT
5	4403010052	ENS. PRESSE ETOUPE	11	43412R0500	LAMPE LEDS 2.0 BLANC
6	4403010028	BRIDE MAINTIEN COUVERCLE LAMPE			

CODICE **54098**

DESCRIZIONE: **PROIETTORE D. 295 LED 2.0 BIANCO**

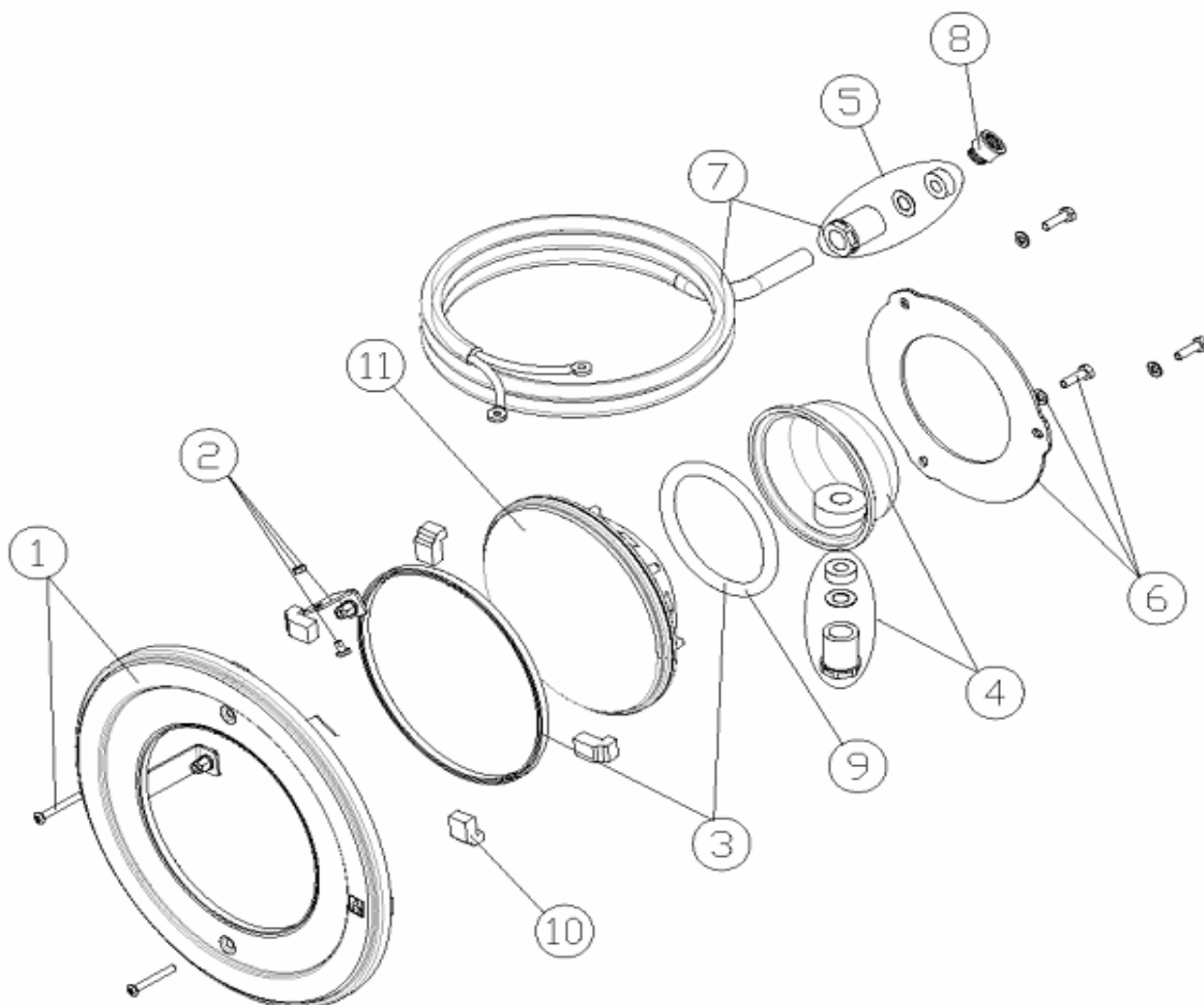


**ITALIANO**

POS	CODICE	DESCRIZIONE	POS	CODICE	DESCRIZIONE
1	4403010056	FLANGIA FISSAGGIO LAMPADA	7	4403010053	CAVO FARO
2	4403010025	FISSAGGIO ANELLO SMONTABILE	8	4403013707	MANICOTTO CONVERSIONE M-25 PG16
3	4403010026	PROFILO APPOGGIO LAMPADA + GIUNTURA TORICA	9	4403010054	O-RING FARO
4	4403010051	COPERCHIO COLLEGAMENTO LAMPADA	10	4403010057	ANELLO DI FERMO
5	4403010052	KIT PRESSACAVI	11	43412R0500	LAMPADA LEDS 2.0 BIANCO
6	4403010028	FLANGIA DI SOSTENGO COPERTURA LAMPADA			

CODIGO **54098**

DESCRIÇÃO: **PROJECTOR D. 295 LED 2.0 BRANCO**



**PORTUGUES**

POS	CODIGO	DESCRIÇÃO	POS	CODIGO	DESCRIÇÃO
1	4403010056	ARO FIXAÇÃO LÂMPADA	7	4403010053	CABO PROJECTOR
2	4403010025	FIXAÇÃO ARO DESMONTÁVEL	8	4403013707	MANGUITO CONVERSOR M-25 PG16
3	4403010026	PERFIL APOIO LÂMPADA + JUNTA TÓRICA	9	4403010054	JUNTA TÓRICA PROJECTOR
4	4403010051	TAMPA LIGAÇÃO LÂMPADA	10	4403010057	PARE DE ANEL
5	4403010052	CONJ.CAIXA DE VEDAÇÃO	11	43412R0500	LÂMPADA LEDS 2.0 BRANCO
6	4403010028	FLANGE FIXAÇÃO TAMPA LÂMPADA			