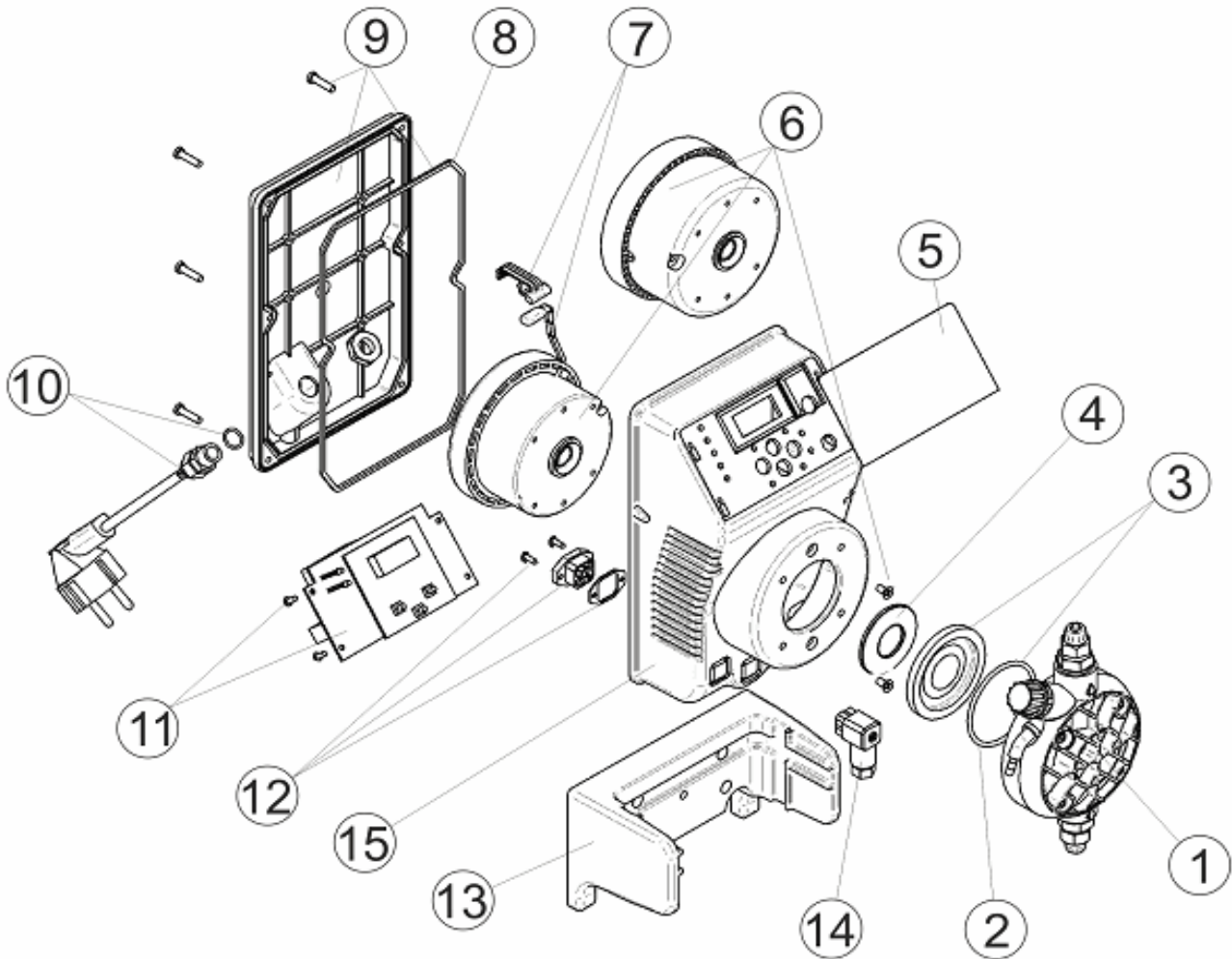


CODE **57159, 57160, 57161, 57162, 57163**

BESCHREIBUNG: **PUMPE EXACTUS MA/MB**

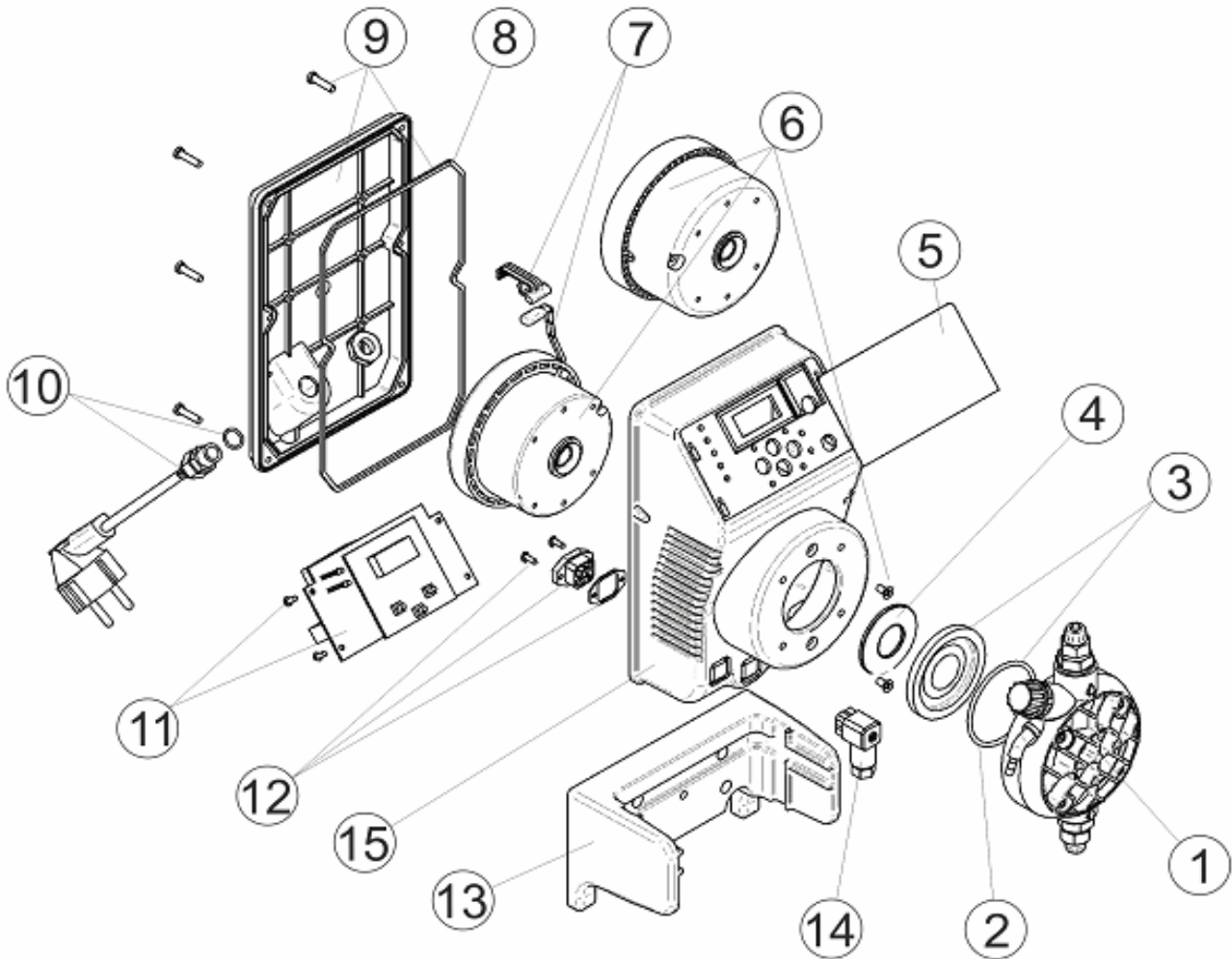


**DEUTSCHE**

POS	CODE	BESCHREIBUNG	POS	CODE	BESCHREIBUNG
1	4408031205	KOPFSTÜCK KOMPLETT	6	4408031114	ELEKTROMAGNET 5L 10KG
1	4408030409	KOPFSTÜCK KOMPLETT 20L 5KG.	6	4408030517	ELEKTROMAGNET 10L 5KG
2	4408030111	O-RING KOPFSTÜCK	6	4408032309	ELEKTROMAGNET 20L 5KG
2	4408030413	O-RING KOPFSTÜCK 20L 5KG	7	4408032305	BEFESTIGUNG UND THERMOSTAT 110°
3	4408030023	MEMBRANE 5-10 L.	8	4408032302	DECKELDICHUNG 2009
3	4408030429	MEMBRANE KOMPLETT 20L 5KG	9	4408030025	DECKEL GEHÄUSE HINTEN
4	4408031119	DOSIERKOPF DICHTUNG 2L 5KG - 2L 10KG - 5L 10KG	10	4408031221	KABEL DOSIERPUMPE
4	4408030531	DOSIERKOPF DICHTUNG 5L 7KG	11	4408031708	PLATINE DOSIERPUMPE MAM. 230V
4	4408031121	DOSIERKOPF DICHTUNG 10L 5KG	11	4408030030	PLATINE DOSIERPUMPE 20L-5KG
4	4408031122	DOSIERKOPF DICHTUNG 20L 5KG	12	4408031405	ANSCHLUSS-STECKER
5	4408030024	TOUCHSCREEN BEDIENFELD VFT/MB	13	4408032303	PUMPENHALTERUNG 2009
6	4408030921	ELEKTROMAGNET 2 L. 5KG	14	4408031729	ANSCHLUSS NIVEAU
6	4408030118	ELEKTROMAGNET KOMPLETT 5L 7KG	26	57174R0001	GEHÄUSE DOSIERPUMPE EXACTUS

CODE **57159, 57160, 57161, 57162, 57163**

DESCRIPTION: **EXACTUS PUMP MA/MB**

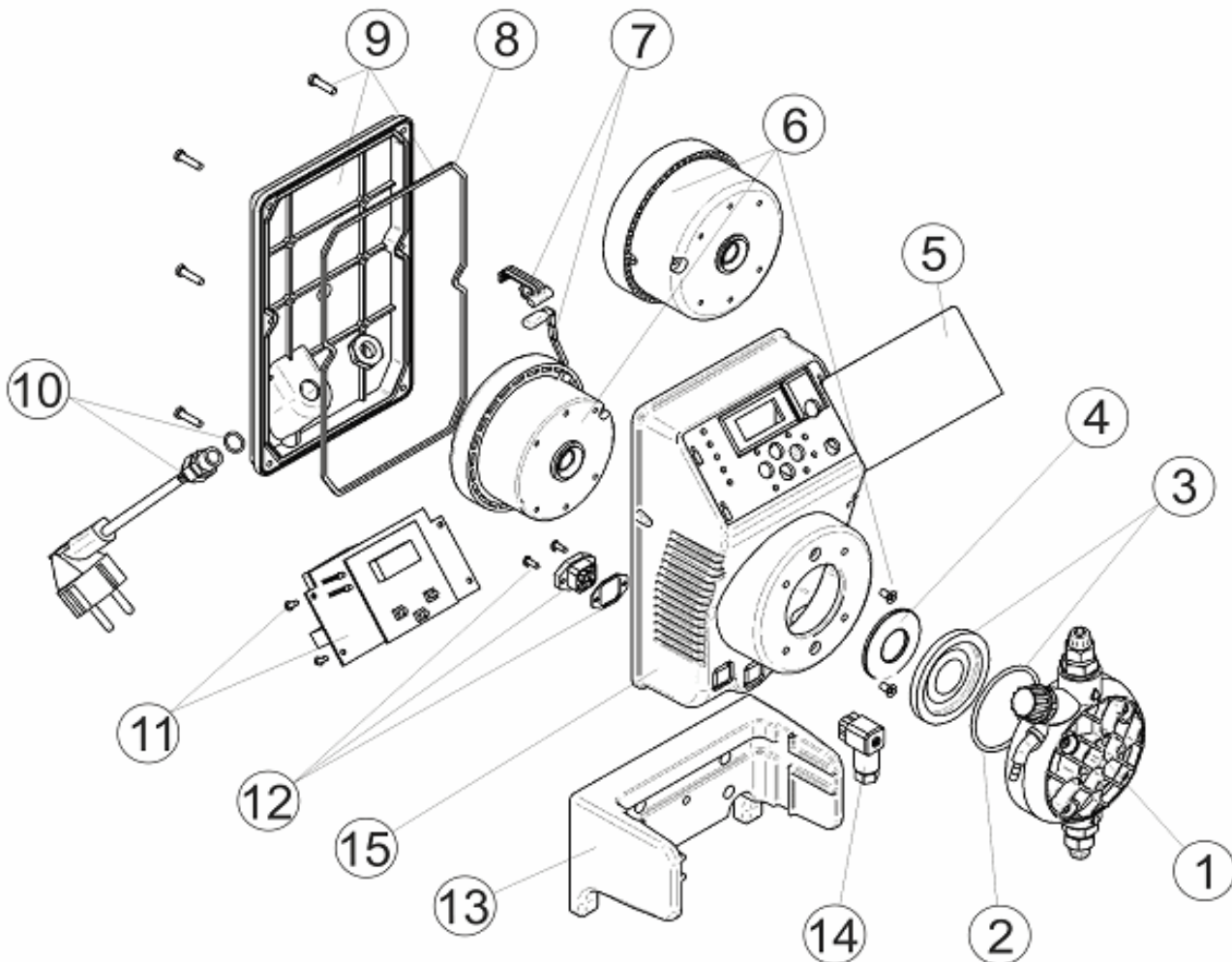


**ENGLISH**

POS	CODE	DESCRIPTION	POS	CODE	DESCRIPTION
1	4408031205	COMPLETE HEAD ASSEMBLY	6	4408031114	ELECTROMAGNET 5L 10KG
1	4408030409	COMPLETE HEAD ASSEMBLY 20L 5KG.	6	4408030517	ELECTROMAGNET 10L 5KG
2	4408030111	HEAD O RING	6	4408032309	ELECTROMAGNET 20L - 5KG
2	4408030413	HEAD O RING 20L 5KG	7	4408032305	SUPPORT AND THERMOSTAT 110°
3	4408030023	5-10 L. DIAPHRAM	8	4408032302	LID GASKET 2009
3	4408030429	DIAPHRAM COMPLETE 20L 5KG	9	4408030025	PUMP REAR COVER
4	4408031119	PISTON WASHER 2L 5KG - 2L 10KG - 5L 10KG	10	4408031221	SUPPLY CABLE
4	4408030531	PISTON WASHER 5L 7KG	11	4408031708	ELECTRONIC CIRCUIT MA/M. 230V.
4	4408031121	PISTON WASHER 10L 5KG	11	4408030030	ELECTRONIC CIRCUIT 20L-5KG
4	4408031122	PISTON WASHER 20L 5KG	12	4408031405	MALE CONNECTOR
5	4408030024	TOUCH SCREEN PANEL VFT/MB	13	4408032303	PUMP SUPPORT 2009
6	4408030921	ELECTROMAGNET 2 L. 5KG	14	4408031729	FEMALE CONNECTOR BCN
6	4408030118	ELECTROMAGNET ASSEMBLY COMPLETEO 5L 7KG	26	57174R0001	EXACTUS PUMP BOX

CODIGO **57159, 57160, 57161, 57162, 57163**

DESCRIPCION: **BOMBA EXACTUS MA/MB**

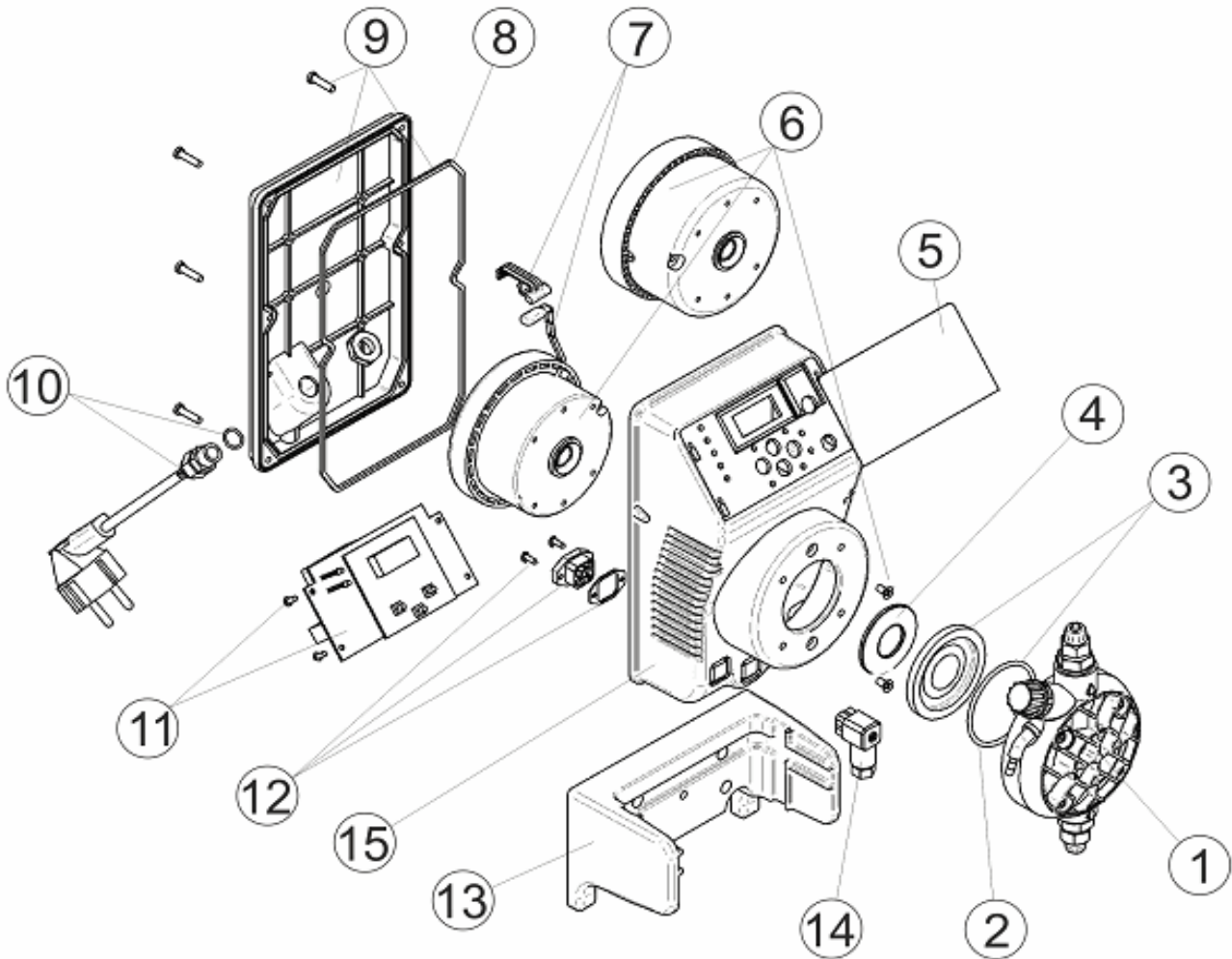


**ESPAÑOL**

POS	CODIGO	DESCRIPCION	POS	CODIGO	DESCRIPCION
1	4408031205	CABEZAL COMPLETO	6	4408031114	ELECTROIMAN 5L 10KG
1	4408030409	CABEZAL COMPLETO 20L 5KG.	6	4408030517	ELECTROIMAN 10L 5KG
2	4408030111	JUNTA TORICA CABEZAL	6	4408032309	ELECTROIMAN 20L-5KG.
2	4408030413	JUNTA TORICA CABEZAL 20L 5KG	7	4408032305	SOPORTE MAS TERMOSTADO 110°
3	4408030023	DIAFRAMA 5-10 L.	8	4408032302	JUNTA POSTERIOR CAJA EXACTUS 2009
3	4408030429	MEMBRANA COMPLETA 20L 5KG	9	4408030025	TAPA POSTERIOR EXACTUS CON JUNTA
4	4408031119	ARANDELA PISTON 2L 5KG - 2L 10KG - 5L 10KG	10	4408031221	CABLE ALIMENTACION
4	4408030531	ARANDELA PISTON 5L 7KG	11	4408031708	CIRCUITO ELECTRONICO MA/M 230V.
4	4408031121	ARANDELA PISTON 10L 5KG	11	4408030030	CIRCUITO ELECTRONICO 20L-5KG
4	4408031122	ARANDELA PISTON 20L 5KG	12	4408031405	CONECTOR MACHO
5	4408030024	PANEL TACTIL VFT/MB EXACTUS	13	4408032303	SOPORTE EXACTUS 2009
6	4408030921	ELECTROIMAN 2 L. 5KG	14	4408031729	CONECTOR DE NIVEL
6	4408030118	ELECTROIMAN COMPLETO 5L 7KG	26	57174R0001	CAJA EXACTUS

CODE **57159, 57160, 57161, 57162, 57163**

DESCRIPTION: **POMPE EXACTUS MA/MB**

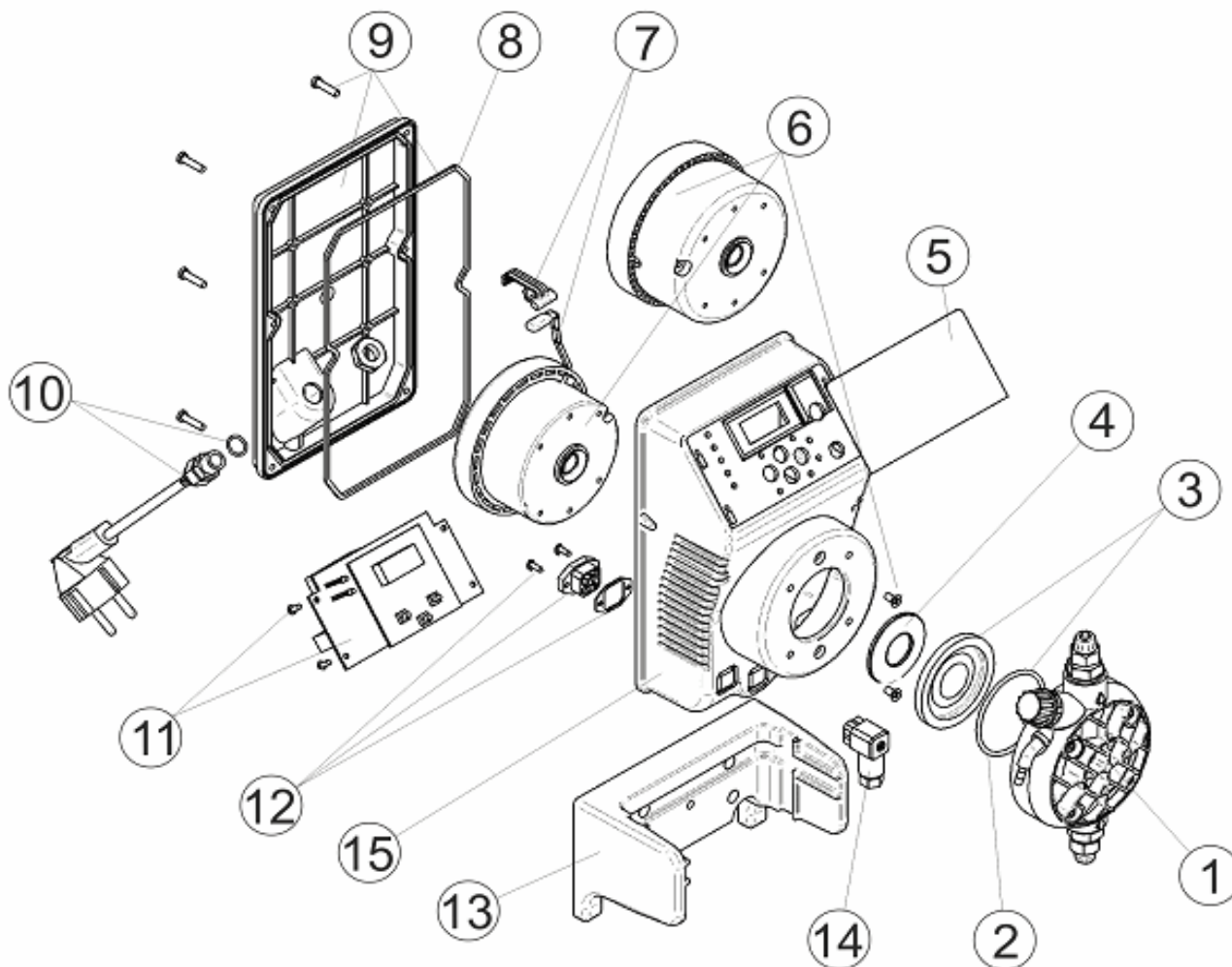


**FRANCAIS**

POS	CODE	DESCRIPTION	POS	CODE	DESCRIPTION
1	4408031205	TETE COMPLET	6	4408031114	ELECTROAIMANT 5L 10KG
1	4408030409	TETE COMPLET 20L 5KG.	6	4408030517	ELECTROAIMANT 10L 5KG
2	4408030111	JOINT TORIQUE TETE	6	4408032309	ELECTROAIMANT 20L 5KG
2	4408030413	JOINT TORIQUE TETE 20L 5KG	7	4408032305	SUPPORT + THERMOSTAT DE 110 °
3	4408030023	DIAPHRAGME 5-10 L.	8	4408032302	JOINT ARRIERE 2009
3	4408030429	MEMBRANE COMPLETE 20L 5KG	9	4408030025	COUVERCLE POMPE EXACTUS
4	4408031119	RONDELLE PISTON 2L 5KG - 2L 10KG - 5L 10KG	10	4408031221	CABLE ALIMENTATION
4	4408030531	RONDELLE PISTON 5L 7KG	11	4408031708	CIRCUIT ELECTRONIQUE MAM. 230V.
4	4408031121	RONDELLE PISTON 10L 5KG	11	4408030030	CIRCUIT ELECTRONIQUE 20L-5KG
4	4408031122	RONDELLE PISTON 20L 5KG	12	4408031405	CONNECTEUR MALE
5	4408030024	TABLEAU DE CONTROLE TACTILE VFT/MB	13	4408032303	SUPPORT DE POMPE EXACTUS 2009
6	4408030921	ELECTROAIMANT 2 L. 5KG	14	4408031729	CONNECTEUR DE NIVEAU
6	4408030118	ELECTROAIMANT COMPLETO 5L 7KG	26	57174R0001	BOITIER DE POMPE EXACTUS

CODICE **57159, 57160, 57161, 57162, 57163**

DESCRIZIONE: **POMPA EXACTUS MA/MB**

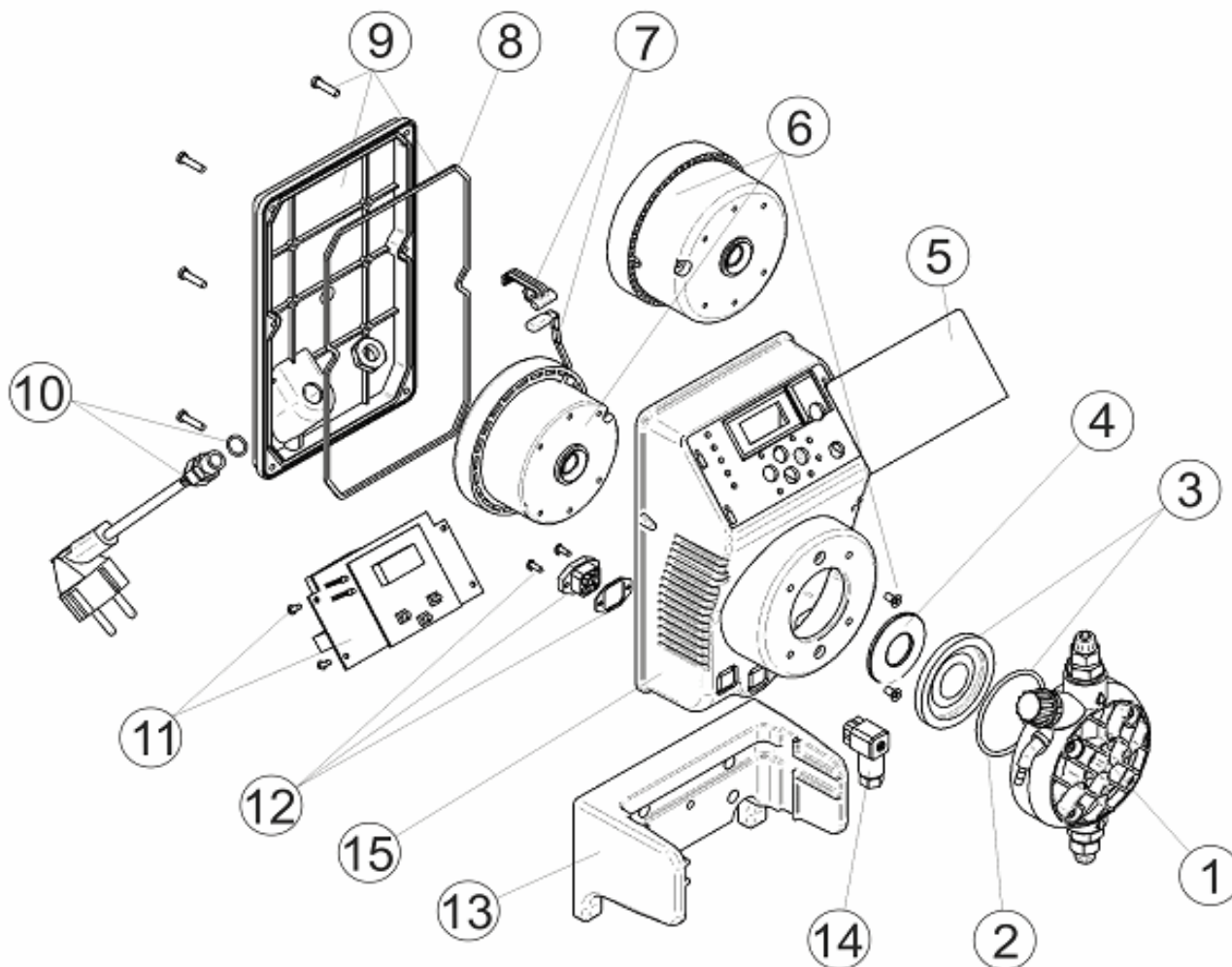


**ITALIANO**

POS	CODICE	DESCRIZIONE	POS	CODICE	DESCRIZIONE
1	4408031205	TESTA COMPLETA	6	4408031114	ELETTROCALAMITA 5L 10KG
1	4408030409	TESTA COMPLETA 20L 5KG.	6	4408030517	ELETTROCALAMITA 10L 5KG
2	4408030111	O-RING PER TESTA	6	4408032309	ELETTROCALAMITA 20L 5KG.
2	4408030413	O-RING TESTA 20L 5KG	7	4408032305	SUPPORTO + TERMOSTATO 110°
3	4408030023	DIAFRAMMA 5-10 L.	8	4408032302	GUARNIZIONE COPERCHIO EXACTUS 2009
3	4408030429	MEMBRANA COMPLETA 20L 5KG	9	4408030025	COPRIVENTOLA POMPA EXACTUS
4	4408031119	RONDELLA PISTONE 2L 5KG - 2L 10KG - 5L 10KG	10	4408031221	CAVO DI ALIMENTAZIONE
4	4408030531	RONDELLA PISTONE 5L 7KG	11	4408031708	CIRCUITO ELETTRONICO MA/M. 230V
4	4408031121	RONDELLA PISTONE 10L 5KG	11	4408030030	CIRCUITO ELETTRONICO 20L-5KG
4	4408031122	RONDELLA PISTONE 20L 5KG	12	4408031405	CONNETTORE MASCHIO
5	4408030024	PANNELLO DIGITALE VFT/MB	13	4408032303	SUPPORTO POMPA EXACTUS 2009
6	4408030921	ELETTROCALAMITA 2 L. 5KG	14	4408031729	CONNETTORE DI LIVELLO
6	4408030118	ELETTROCALAMITA COMPLETA 5L 7KG	26	57174R0001	CASSA POMPA EXACTUS

CODIGO **57159, 57160, 57161, 57162, 57163**

DESCRIÇÃO: **BOMBA EXACTUS MA/MB**



**PORTUGUES**

POS	CODIGO	DESCRIÇÃO	POS	CODIGO	DESCRIÇÃO
1	4408031205	CABEÇAL COMPLETO	6	4408031114	ELECTROIMAN 5L 10KG
1	4408030409	CABEÇAL COMPLETO 20L 5KG.	6	4408030517	ELECTROIMAN 10L 5KG
2	4408030111	JUNTA TORICA CABEÇAL	6	4408032309	ELECTROIMAN 20L 5KG
2	4408030413	JUNTA TORICA CABEÇAL 20L 5KG	7	4408032305	SUPORTE MAIS TERMOSTATO DE 110°
3	4408030023	DIAFRAGMA 5-10 L.	8	4408032302	JUNTA TAMPA EXACTUS 2009
3	4408030429	MEMBRANA COMPLETA 20L 5KG	9	4408030025	TAMPA TRASEIRA BOMBA EXACTUS
4	4408031119	ANILHA PISTON 2L 5KG - 2L 10KG - 5L 10KG	10	4408031221	CABO ALIMENTAÇÃO
4	4408030531	ANILHA PISTON 5L 7KG	11	4408031708	CIRCUITO ELECTRONICO MAM. 230V.
4	4408031121	ANILHA PISTON 10L 5KG	11	4408030030	CIRCUITO ELECTRONICO 20L-5KG
4	4408031122	ANILHA PISTON 20L 5KG	12	4408031405	LIGAÇÃO MACHO
5	4408030024	PAINEL DIGITAL TÁCTIL VFT/MB	13	4408032303	SUPORTE BOMBA EXACTUS 2009
6	4408030921	ELECTROIMAN 2 L. 5KG	14	4408031729	LIGAÇÃO NIVEL
6	4408030118	ELECTROIMAN COMPLETO 5L 7KG	26	57174R0001	CAIXA BOMBA EXACTUS