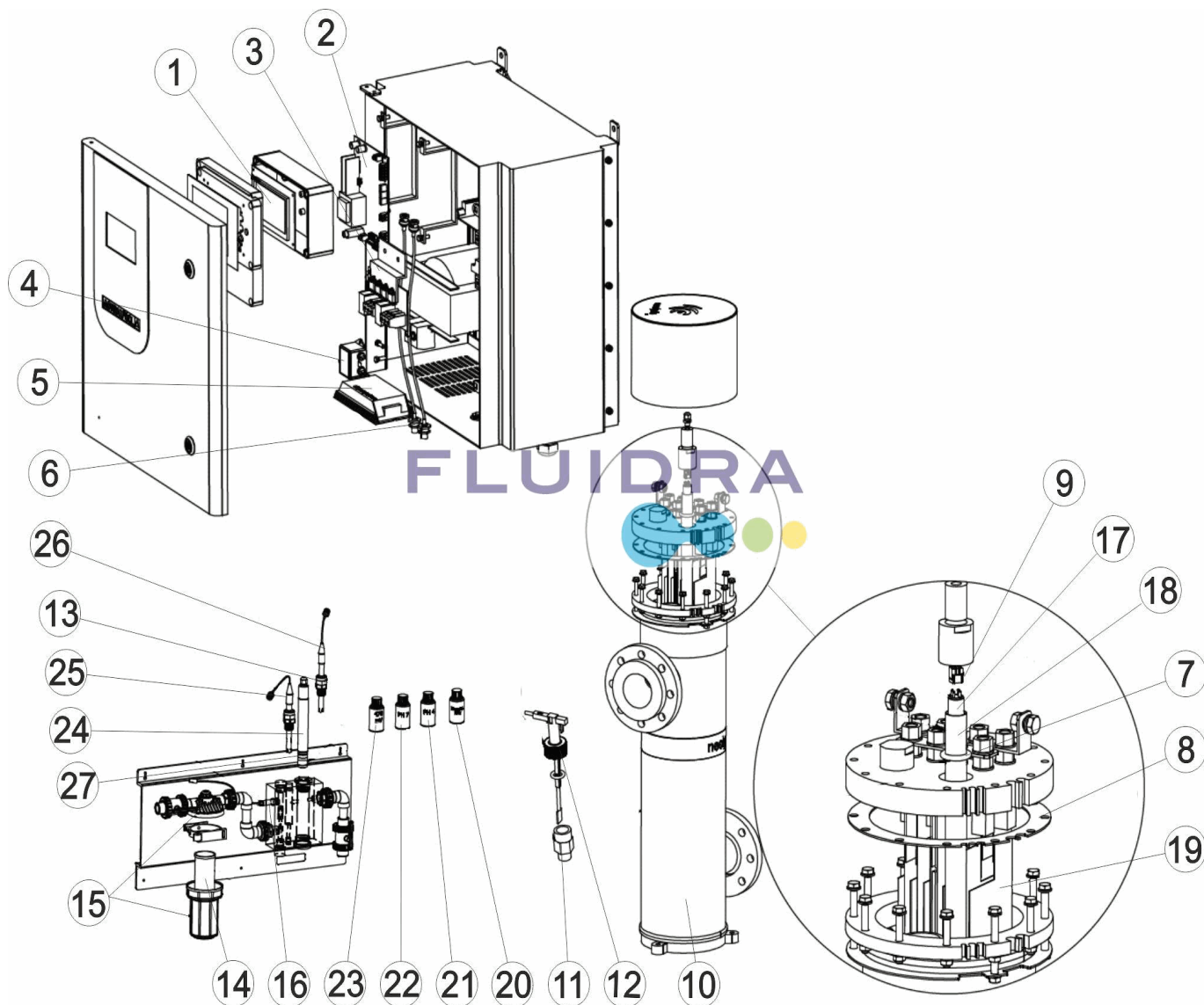


CODIGO **57753, 57763, 57766**

DESCRIPCION: **SISTEMA NEOLYSIS PISCINA COMERCIAL**



ESPAÑOL

POS	CODIGO	DESCRIPCION	POS	CODIGO	DESCRIPCION
1	* 4408040150	TARGETA VISUALIZADORA TACTIL NV1 EX	12	4408041211	FLUJOSTATO
1	* 4408040151	TARGETA VISUALIZADORA TACTIL NV1 EX2	13	* 4408041310	RACOR INSERCIÓN Sonda 12M/M.-1/2"
2	* 4408040080	PLACA CONTROL DV1-50 EX	14	* 4408041537	FILTRO CARTUCHO LAVABLE
2	* 4408040081	PLACA CONTROL DV1-50 EXT-1/2	15	* 4408041538	CARTUCHO 80 MICRAS
3	4408040087	TARJETA POTENCIA TIRISTORES DV1-50	16	* 4408041541	SENSOR INDUCTIVO DE CAUDAL
4	4408041021	FILTRO 230V A-65/A-120 EX/PLUS	17	60608	LAMPARA UV LP-20 (1X75W) Y LP30 V12 (2X75W)
5	4408070062	BALASTRO LP 20, 25	18	60631	CUARZO UV LP-20-25-30
6	* 4408040088	LATIGUILLO BNC 0,7 EXTERNO	19	61119	RECAMBIO ELECTRODO NEOLYSIS 50GR/H+ UV 75W
6	* 4408040089	LATIGUILLO BNC EXT-2 BNC A PVA 24V	20	* 60646	ELECTROLITO ECC1/GEL Sonda CL
7	4408070077	JUNTA TORICA	21	* 60632	TAMPON PH 7.0 50 M/L. (ROJO)
8	4408040135	JUNTA BRIDA CELULA NEOLYSIS EPDM	22	* 60618	TAMPON PH 7.0 50 M/L. (VERDE)
9	4408070059	CONECTOR 4PIN	23	* 60633	SOLUCION CALIBRACION 470MV.
10	4408040136	CELULA NEOLYSIS PIS. COMER.	24	* 60645	SENSOR CLORO LIBRE
11	4408041210	REDUCCION ROSCADA 3/4" 1/2"	25	* 60648	ELECTRODO COMBINADO PH

CODIGO **57753, 57763, 57766**DESCRIPCION: **SISTEMA NEOLYSIS PISCINA COMERCIAL**

26 * 60649

ELECTRODO ORP

CODIGO 57753, 57763, 57766

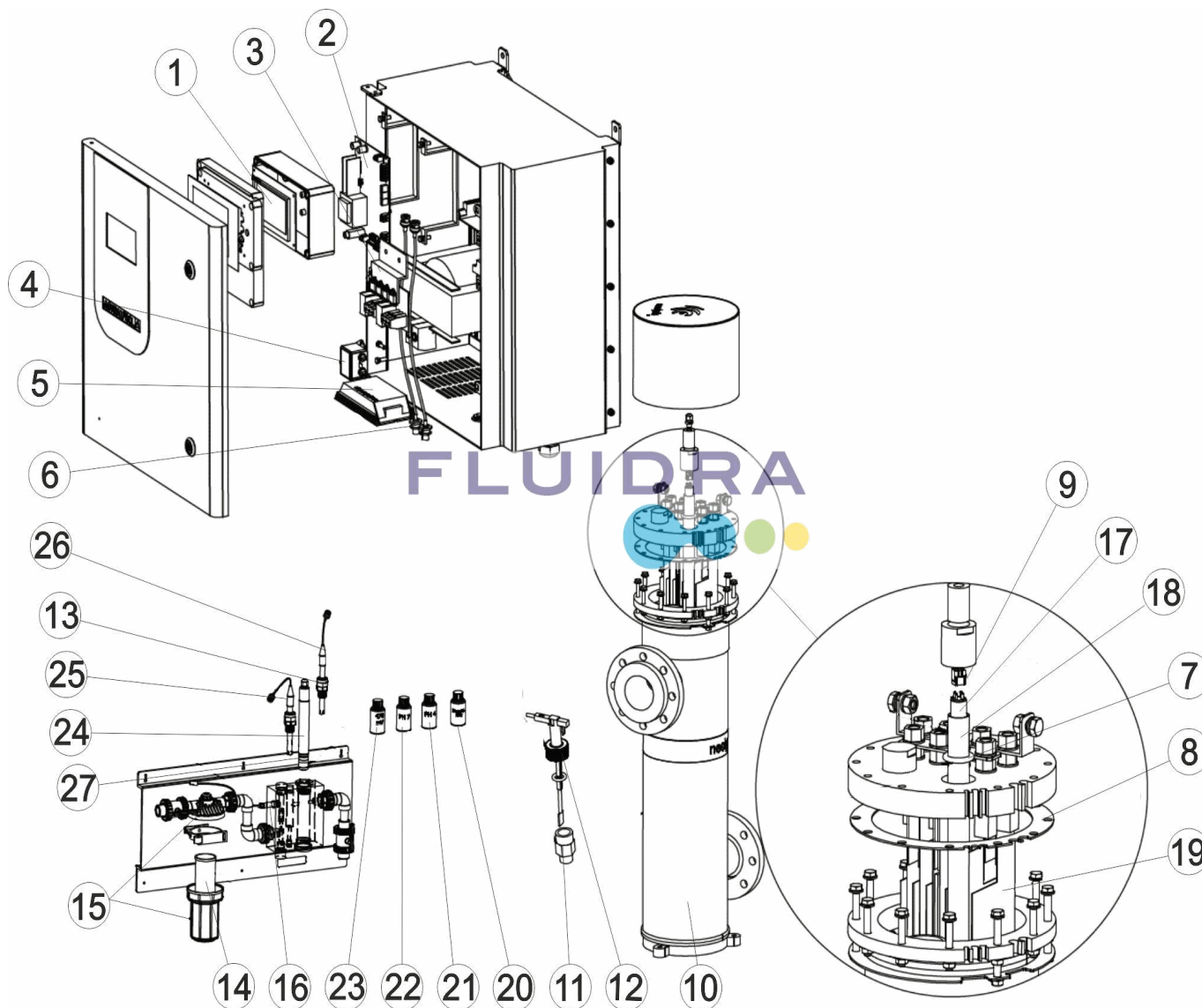
DESCRIPCION: SISTEMA NEOLYSIS PISCINA COMERCIAL

OBSERVACIONES

POS	CODIGO	OBSERVACIONES
1	4408040150	PARA: 57753, 57763
1	4408040151	PARA: 57766
2	4408040080	PARA: 57753
2	4408040081	PARA: 57763, 57766
6	4408040088	PARA: 57763, 57766
6	4408040089	PARA: 57766
13	4408041310	PARA: 57763, 57766
14	4408041537	PARA: 57763, 57766
15	4408041538	PARA: 57763, 57766
16	4408041541	PARA: 57763, 57766
20	60646	PARA: 57766
21	60632	PARA: 57763, 57766
22	60618	PARA: 57763, 57766
23	60633	PARA: 57763
24	60645	PARA: 57766
25	60648	PARA: 57763, 57766
26	60649	PARA: 57763

CODE 57753, 57763, 57766

DESCRIPTION: SYSTÈME NEOLYSIS PISCINE COMMERCIALE



FRANCAIS

POS	CODE	DESCRIPTION	POS	CODE	DESCRIPTION
1	* 4408040150	CARTE AFFICHEUR ÉLECTROLYSE NV1 EX	12	4408041211	CONTROLEUR DE DEBIT
1	* 4408040151	CARTE AFFICHEUR ÉLECTROLYSE NV1 EX2	13	* 4408041310	CONNECTEUR 12MM. - 1/2"
2	* 4408040080	PLAQUE CONTRÔLE DV1-50 EX	14	* 4408041537	FILTRE CARTOUCHE LAVABLE
2	* 4408040081	PLAQUE CONTRÔLE DV1-50 EXT-1/2	15	* 4408041538	CARTOUCHE 80 MICRONS
3	4408040087	CARTE PUISSANCE DV1-50	16	* 4408041541	SONDE DE DÉBIT INDUCTIVE
4	4408041021	FILTRE 230V A-65/A-120 EX/PLUS	17	60608	LAMPE UV LP-20 (1X75W) Y LP30 V12 (2X75W)
5	4408070062	BALLAST LP 20, 25	18	60631	GAINÉ QUARTZ LP 20, 25, 30
6	* 4408040088	CÂBLE BNC 0,7	19	61119	RECHANGE ÉLECTRODE NEOLYSIS 50GR/H+ UV 75W
6	* 4408040089	CÂBLE BNC EXT-2 BNC A PVA 24V	20	* 60646	ELECTROLYTE
7	4408070077	JOINT TORIQUE	21	* 60632	TAMPON PH 7,0 50 M/L. ROUGE
8	4408040135	JOINT CELLULE NEOLYSIS EPDM	22	* 60618	TAMPON PH 7,0 50 M/L. VERT
9	4408070059	CONNECTEUR 4PIN	23	* 60633	SOLUTION CALIBRAGE 470 MV
10	4408040136	CELLULE NEOLYSIS	24	* 60645	SONDE DE CHLORE LIBRE
11	4408041210	MANCHON PE 1/2" - 3/4"	25	* 60648	ELECTRODE COMBINÉE PH

* -> VOIR FICHE D'OBSERVATIONS

CODE **57753, 57763, 57766**

DESCRIPTION: **SYSTÈME NEOLYSIS PISCINE COMMERCIALE**

26	* 60649	ELECTRODE ORP			
----	---------	---------------	--	--	--

CODE **57753, 57763, 57766**

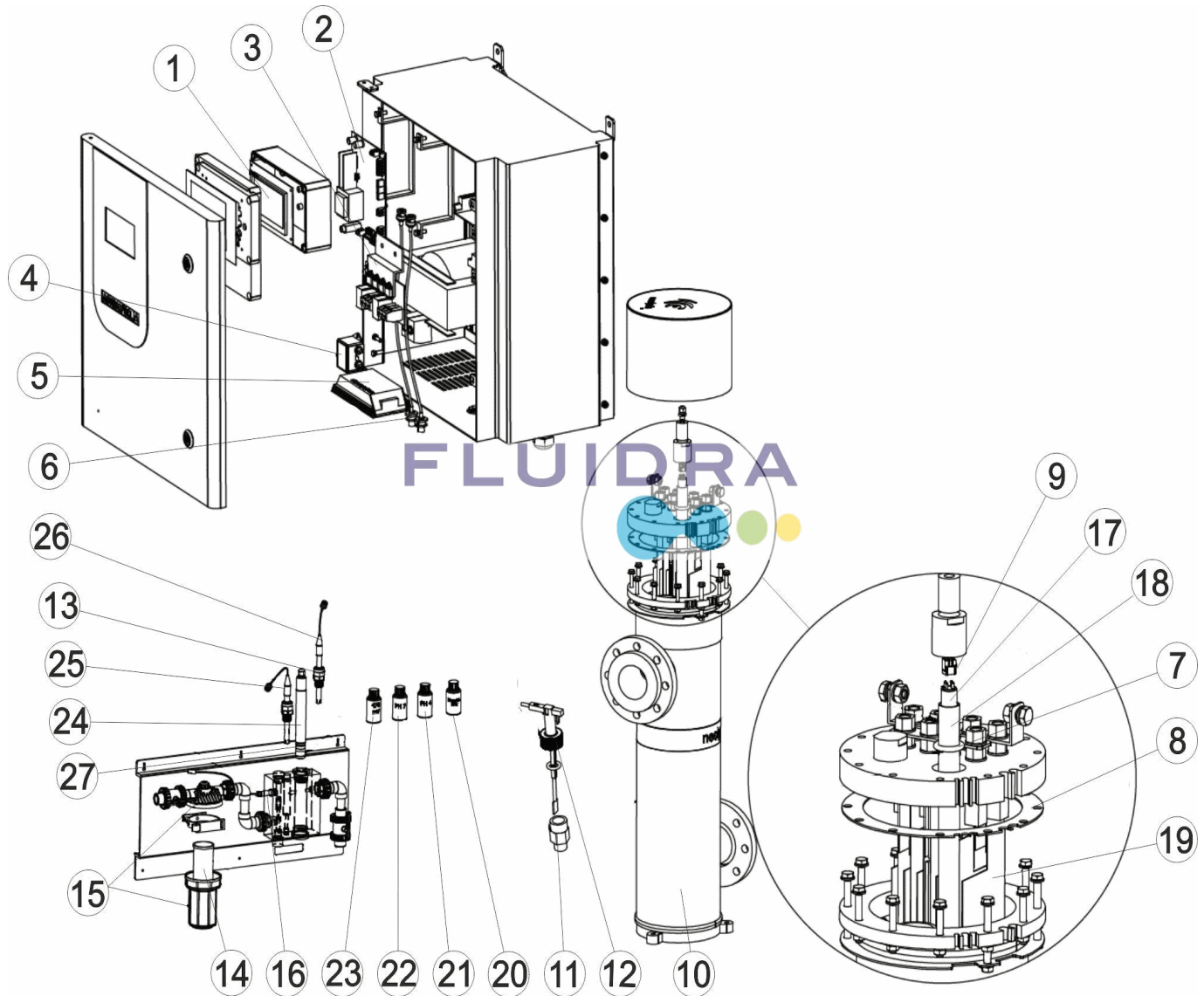
DESCRIPTION: **SYSTÈME NEOLYSIS PISCINE COMMERCIALE**

OBSERVATIONS

POS	CODE	OBSERVATIONS
1	4408040150	POUR: 57753, 57763
1	4408040151	POUR: 57766
2	4408040080	POUR: 57753
2	4408040081	POUR: 57763, 57766
6	4408040088	POUR: 57763, 57766
6	4408040089	POUR: 57766
13	4408041310	POUR: 57763, 57766
14	4408041537	POUR: 57763, 57766
15	4408041538	POUR: 57763, 57766
16	4408041541	POUR: 57763, 57766
20	60646	POUR: 57766
21	60632	POUR: 57763, 57766
22	60618	POUR: 57763, 57766
23	60633	POUR: 57763
24	60645	POUR: 57766
25	60648	POUR: 57763, 57766
26	60649	POUR: 57763

CODE **57753, 57763, 57766**

DESCRIPTION: **NEOLYSIS SYSTEM FOR COMMERCIAL POOL**



ENGLISH

POS	CODE	DESCRIPTION	POS	CODE	DESCRIPTION
1	* 4408040150	NV1 EX ELECTROLYSIS VIEWER CARD	12	4408041211	FLOWSWITCH
1	* 4408040151	NV1 EX2 ELECTROLYSIS VIEWER CARD	13	* 4408041310	CONNECTOR 12M/M. - 1/2"
2	* 4408040080	ELECTRONIC CARD DV1-50 EX	14	* 4408041537	WASHABLE CARTRIDGE FILTER
2	* 4408040081	ELECTRONIC CARD DV1-50 EXT-1/2	15	* 4408041538	80 MICRONS CARTRIDGE
3	4408040087	POWER CARD DV1-50	16	* 4408041541	INDUCTIVE FLOW SENSOR
4	4408041021	FILTER 230V A-65/A-120 EX/PLUS	17	60608	LAMPELC UV LP-20 (1X75W) Y LP30 V12 (2X75W)
5	4408070062	BALLAST LP 20, 25	18	60631	QUARTZ SLEEVE LP 20, 25, 30
6	* 4408040088	BNC 0,7 EX CABLE	19	61119	ELECTRODE SPARE NEOLYSIS 50GR/H+ UV 75W
6	* 4408040089	EXT-2 BNC A PVA 24V CABLE	20	* 60646	ELECTROLITE
7	4408070077	'O' RING	21	* 60632	CALIBRATION SOLUTION PH 7.0 (RED)
8	4408040135	CELL GASKET NEOLYSIS EPDM	22	* 60618	CALIBRATION SOLUTION PH 7.0 50 ML.(GREEN)
9	4408070059	4PIN CONNECTOR	23	* 60633	CALIBRATION SOLUTION ORP 470 MV
10	4408040136	NEOLYSIS CELL	24	* 60645	FREE CHLORINE SENSOR
11	4408041210	ADAPTOR SOCKET PE 1/2" - 3/4	25	* 60648	ELECTRODE PH

* -> SEE OBSERVATIONS SHEET

CODE **57753, 57763, 57766**

DESCRIPTION: **NEOLYSIS SYSTEM FOR COMMERCIAL POOL**

26	* 60649	ORP ELECTRODE			
----	---------	---------------	--	--	--

CODE **57753, 57763, 57766**

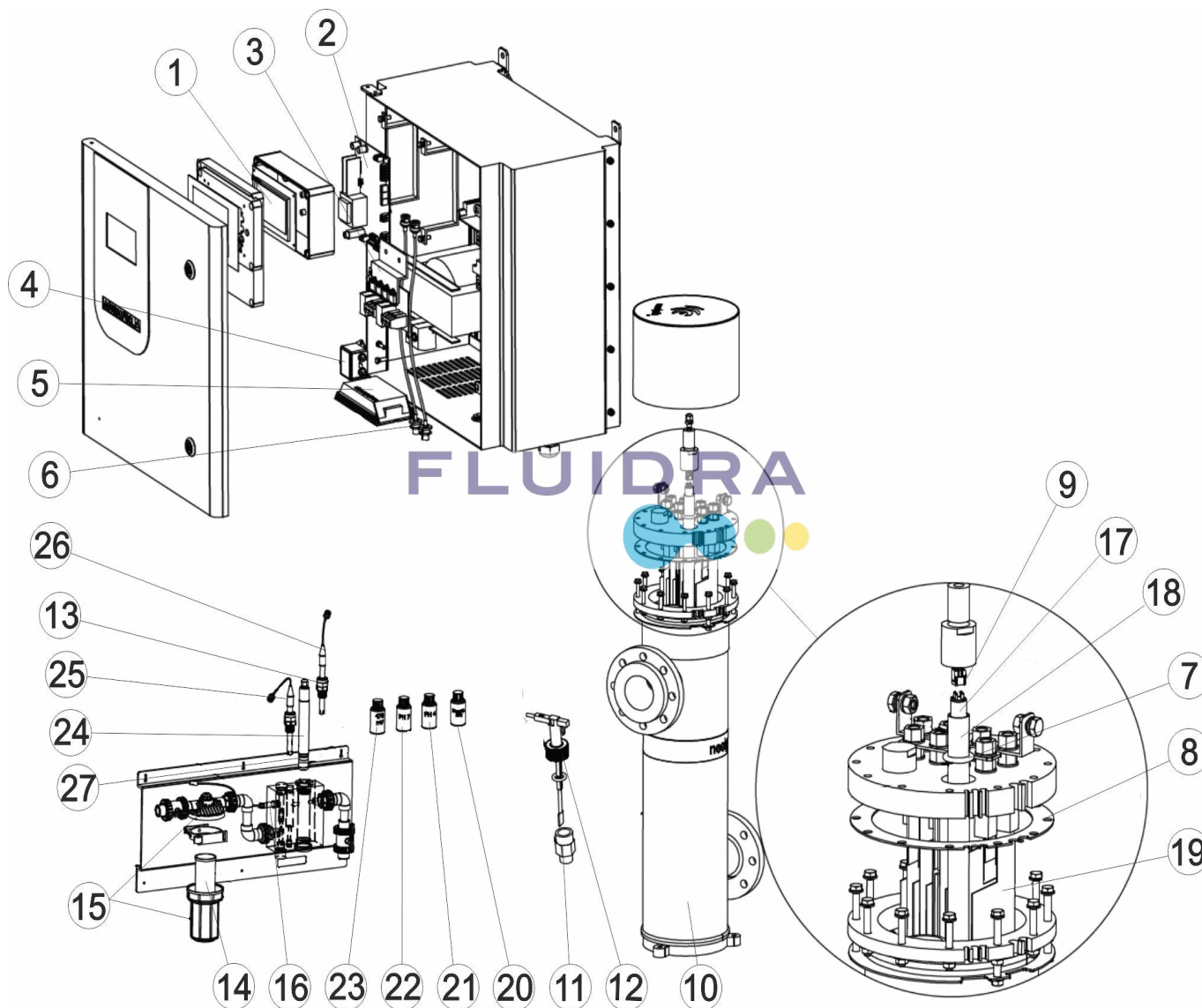
DESCRIPTION: **NEOLYSIS SYSTEM FOR COMMERCIAL POOL**

OBSERVATIONS

POS	CODE	OBSERVATIONS
1	4408040150	FOR: 57753, 57763
1	4408040151	FOR: 57766
2	4408040080	FOR: 57753
2	4408040081	FOR: 57763, 57766
6	4408040088	FOR: 57763, 57766
6	4408040089	FOR: 57766
13	4408041310	FOR: 57763, 57766
14	4408041537	FOR: 57763, 57766
15	4408041538	FOR: 57763, 57766
16	4408041541	FOR: 57763, 57766
20	60646	FOR: 57766
21	60632	FOR: 57763, 57766
22	60618	FOR: 57763, 57766
23	60633	FOR: 57763
24	60645	FOR: 57766
25	60648	FOR: 57763, 57766
26	60649	FOR: 57763

CODICE **57753, 57763, 57766**

DESCRIZIONE: **SISTEMA NEOLISYS PISCINA COMMERCIALE**



ITALIANO

POS	CODICE	DESCRIZIONE	POS	CODICE	DESCRIZIONE
1	* 4408040150	SCHEDA VISORE ELETTROLISI NV1 EX	12	4408041211	FLUSSOSTATO
1	* 4408040151	SCHEDA VISORE ELETTROLISI NV1 EX2	13	* 4408041310	CONNETTORE 12M/M. - 1/2"
2	* 4408040080	SCHEDA DV1-50 EX	14	* 4408041537	FILTRO CARTUCCIA LAVABILE
2	* 4408040081	SCHEDA DV1-50 EXT-1/2	15	* 4408041538	CARTUCCIA 80 MICRON
3	4408040087	CARTA POTENZA DV1-50	16	* 4408041541	SONDA DI FLUSSO INDUTTIVA
4	4408041021	FILTRE 230V A-65/A-120 EX/PLUS	17	60608	LAMPADA UV LP-20 (1X75W) Y LP30 V12 (2X75W)
5	4408070062	REGOLATORE DI CORRENTE LP 20, 25	18	60631	GUAINA DI QUARZO LP 20, 25, 30
6	* 4408040088	CAVO BNC 0,7	19	61119	RECAMBIO ELETTRODO NEOLYSIS 50GR/H+ UV 75W
6	* 4408040089	CAVO BNC EXT-2 BNC A PVA 24V	20	* 60646	ELETTROLITO
7	4408070077	O-RING	21	* 60632	SOLUZIONE TAMPONE PH 7,0 50 M/L. ROSSO
8	4408040135	GIUNTA CELLULA NEOLYSIS EPDM	22	* 60618	SOLUZIONE TAMPONE PH 7,0 50 M/L. VERDE
9	4408070059	CONNETTORE 4910	23	* 60633	SOLUZIONE CALIBRACIONE 470MV.
10	4408040136	CELLULA NEOLYSIS	24	* 60645	SONDA DI CLORO LIBERO
11	4408041210	MANICOTTO PE 1/2" - 3/4"	25	* 60648	ELETTRODO COMBINATO PH

*** -> SI FACCIA RIFERIMENTO AL FOGLIO DELLE OSSERVAZIONI**

CODICE **57753, 57763, 57766**

DESCRIZIONE: **SISTEMA NEOLISYS PISCINA COMMERCIALE**

26	* 60649	ELETTRODO RX		
----	---------	--------------	--	--

CODICE 57753, 57763, 57766

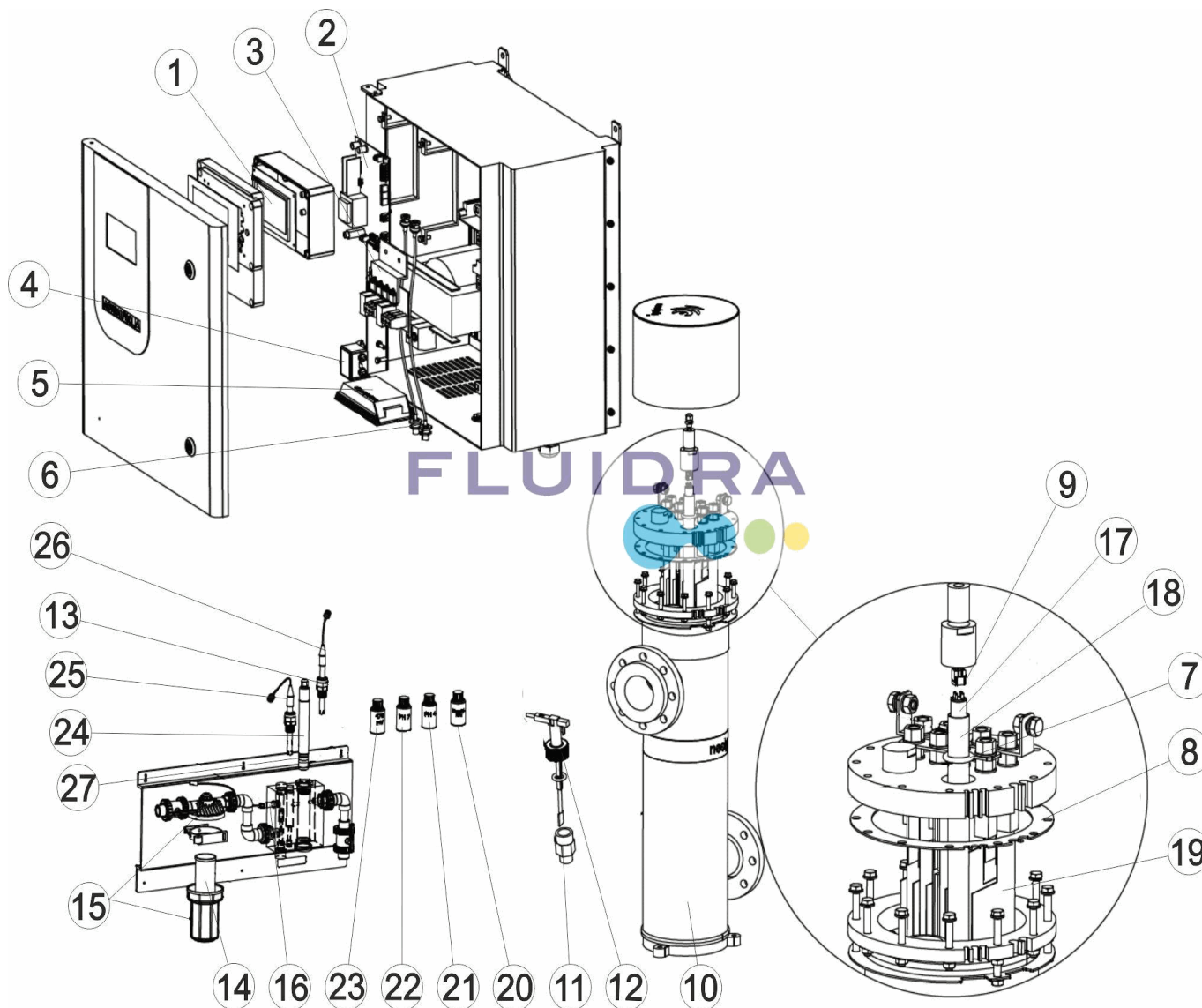
DESCRIZIONE: SISTEMA NEOLISYS PISCINA COMMERCIALE

OSSERVAZIONI

POS	CODICE	OSSERVAZIONI
1	4408040150	PER: 57753, 57763
1	4408040151	PER: 57766
2	4408040080	PER: 57753
2	4408040081	PER: 57763, 57766
6	4408040088	PER: 57763, 57766
6	4408040089	PER: 57766
13	4408041310	PER: 57763, 57766
14	4408041537	PER: 57763, 57766
15	4408041538	PER: 57763, 57766
16	4408041541	PER: 57763, 57766
20	60646	PER: 57766
21	60632	PER: 57763, 57766
22	60618	PER: 57763, 57766
23	60633	PER: 57763
24	60645	PER: 57766
25	60648	PER: 57763, 57766
26	60649	PER: 57763

CODE 57753, 57763, 57766

BESCHREIBUNG: NEOLYSIS-SYSTEM KOMMERZIELLES SCHWIMMBAD



DEUTSCH

POS	CODE	BESCHREIBUNG	POS	CODE	BESCHREIBUNG
1	* 4408040150	ANZEIGEKARTE ELEKTROLYSE NV1 EX	12	4408041211	STRÖMUNGSSCHALTER EWT
1	* 4408040151	ANZEIGEKARTE ELEKTROLYSE NV1 EX2	13	* 4408041310	VERBINDUNGSTÜCK 12MM/M. - 1/2"
2	* 4408040080	SCHALTKARTE DV1-50 EX	14	* 4408041537	WASCHBAER PATRONENFILTER
2	* 4408040081	SCHALTKARTE DV1-50 EXT-1/2	15	* 4408041538	80-MIKRON PATRONE
3	4408040087	KRAFTKARTE DV1-50	16	* 4408041541	INDUKTIVER STRÖMUNGSMESSWERTGEBER
4	4408041021	FILTER 230V A-65/A-120 EX/PLUS	17	60608	LAMPE UV LP-20 (1X75W) Y LP30 V12 (2X75W)
5	4408070062	VORSCHALTGERÄT LP 20, 25	18	60631	QUARZRÖHRE LP 20, 25, 30
6	* 4408040088	BNC 0,7 KABEL	19	61119	ERSATZELEKTRODE NEOLYSIS 50GR/H+ UV 75W
6	* 4408040089	KABEL BNC EXT-2 BNC A PVA 24V	20	* 60646	ELEKTROLYT
7	4408070077	O-RING	21	* 60632	KALIBRIERUNGSLÖSUNG PH 7.0 (GRÜN)
8	4408040135	ZELLENDICHTUNG NEOLYSIS EPDM	22	* 60618	KALIBRIERUNGSLÖSUNG PH 7.0 50 M/L. (ROT)
9	4408070059	STECKKUPPLUNG	23	* 60633	KALIBRIERUNGSLÖSUNG ORP 470 MV
10	4408040136	ZELLE NEOLYSIS	24	* 60645	FREIER CHLOR-SENSOR
11	4408041210	MUFFE PE 1/2" - 3/4"	25	* 60648	ELEKTRODE PH

CODE **57753, 57763, 57766**

BESCHREIBUNG: **NEOLYSIS-SYSTEM KOMMERZIELLES SCHWIMMBAD**

26	* 60649	ORP ELEKTRODE			
----	---------	---------------	--	--	--

CODE **57753, 57763, 57766**

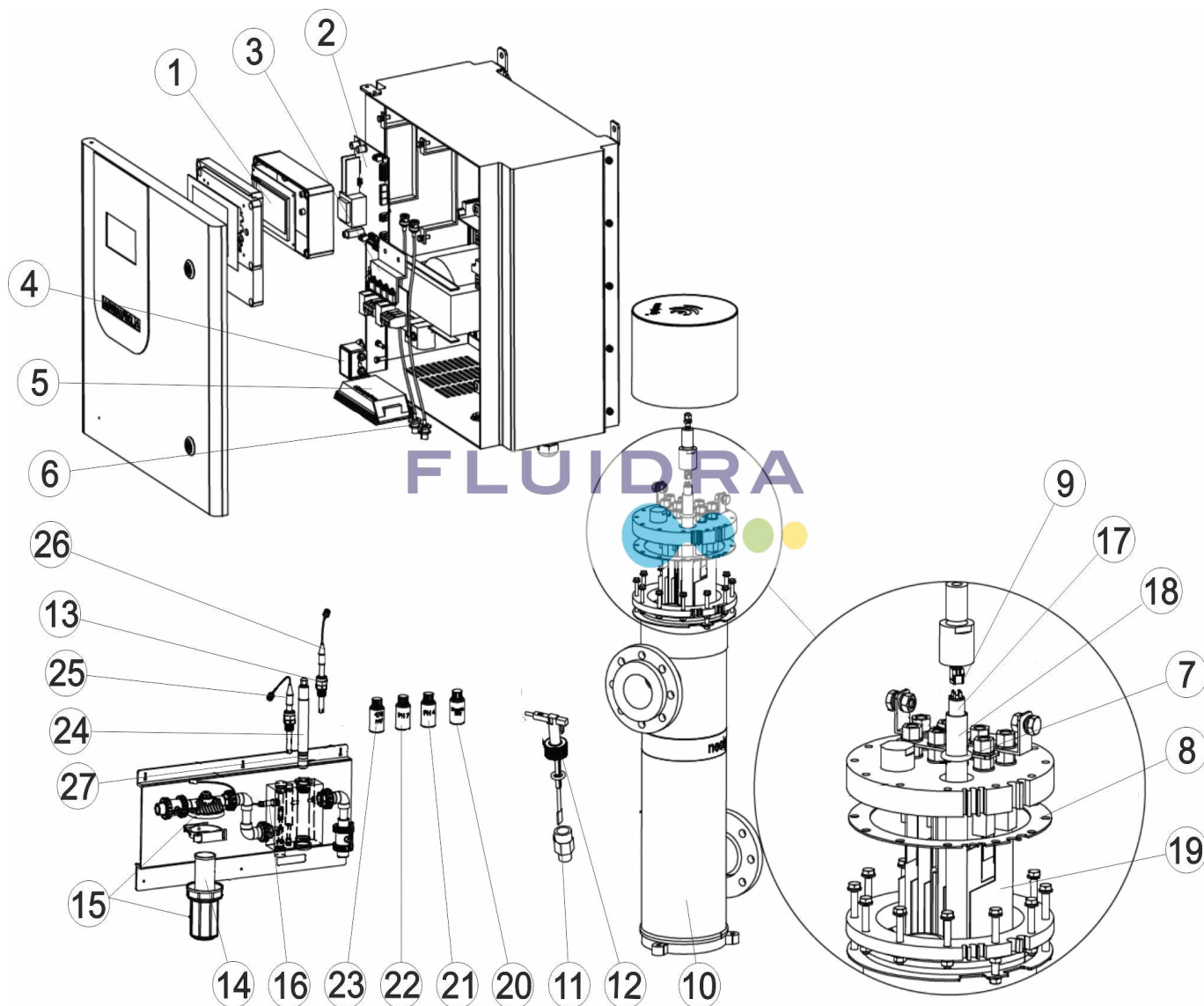
BESCHREIBUNG: **NEOLYSIS-SYSTEM KOMMERZIELLES SCHWIMMBAD**

HINWEISE

POS	CODE	HINWEISE
1	4408040150	FÜR: 57753, 57763
1	4408040151	FÜR: 57766
2	4408040080	FÜR: 57753
2	4408040081	FÜR: 57763, 57766
6	4408040088	FÜR: 57763, 57766
6	4408040089	FÜR: 57766
13	4408041310	FÜR: 57763, 57766
14	4408041537	FÜR: 57763, 57766
15	4408041538	FÜR: 57763, 57766
16	4408041541	FÜR: 57763, 57766
20	60646	FÜR: 57766
21	60632	FÜR: 57763, 57766
22	60618	FÜR: 57763, 57766
23	60633	FÜR: 57763
24	60645	FÜR: 57766
25	60648	FÜR: 57763, 57766
26	60649	FÜR: 57763

CODIGO **57753, 57763, 57766**

DESCRIÇÃO: **SISTEMA NEOLYSIS PISCINA COMERCIAL**



PORTUGUES

POS	CODIGO	DESCRIÇÃO	POS	CODIGO	DESCRIÇÃO
1	* 4408040150	PLACA VISUALIZAÇÃO ELECTRÓLISE NV1 EX	12	4408041211	FLUXO-ESTATO
1	* 4408040151	PLACA VISUALIZAÇÃO ELECTRÓLISE NV1 EX2	13	* 4408041310	CONECTOR 12M/M. - 1/2"
2	* 4408040080	PLACA CONTROLO DV1-50 EX	14	* 4408041537	FILTRO CARTUCHO LAVÁVEL
2	* 4408040081	PLACA CONTROLO DV1-50 EXT-1/2	15	* 4408041538	CARTUCHO 80 MÍCRONS
3	4408040087	TARJETA POTÊNCIA DV1-50	16	* 4408041541	SONDA DE CAUDAL INDUTIVA
4	4408041021	FILTRO 230V A-65/A-120 EX/PLUS	17	60608	LÂMPADA UV LP-20 (1X75W) Y LP30 V12 (2X75W)
5	4408070062	BALASTRO LP 20, 25	18	60631	TUBO DE QUARZO LP 20, 25, 30
6	* 4408040088	CABO BNC 0,7	19	61119	SOBRESSALENTE ELÉCTRODO NEOLYSIS 50GR/H+
6	* 4408040089	CABO BNC EXT-2 BNC A PVA 24V	20	* 60646	ELECTROLITO
7	4408070077	JUNTA TÓRICA	21	* 60632	SOLUÇÃO TAMPÃO PH 7.0
8	4408040135	JUNTA CELULA NEOLYSIS EPDM	22	* 60618	SOLUÇÃO TAMPÃO PH 7.0 50 M/L.
9	4408070059	LIGAÇÃO 4PIN	23	* 60633	SOLUÇÃO TAMPÃO 470 MV
10	4408040136	CÉLULA NEOLYSIS	24	* 60645	SONDA DE CLORO LIVRE
11	4408041210	UNIÃO PE 1/2" - 3/4"	25	* 60648	ELECTRODO COMBINADO PH

CODIGO **57753, 57763, 57766**

DESCRIÇÃO: **SISTEMA NEOLYSIS PISCINA COMERCIAL**

26	* 60649	ELECTRODO ORP			
----	---------	---------------	--	--	--

CODIGO 57753, 57763, 57766

DESCRIÇÃO: SISTEMA NEOLYSIS PISCINA COMERCIAL

OBSERVAÇÕES

POS	CODIGO	OBSERVAÇÕES
1	4408040150	PARA: 57753, 57763
1	4408040151	PARA: 57766
2	4408040080	PARA: 57753
2	4408040081	PARA: 57763, 57766
6	4408040088	PARA: 57763, 57766
6	4408040089	PARA: 57766
13	4408041310	PARA: 57763, 57766
14	4408041537	PARA: 57763, 57766
15	4408041538	PARA: 57763, 57766
16	4408041541	PARA: 57763, 57766
20	60646	PARA: 57766
21	60632	PARA: 57763, 57766
22	60618	PARA: 57763, 57766
23	60633	PARA: 57763
24	60645	PARA: 57766
25	60648	PARA: 57763, 57766
26	60649	PARA: 57763