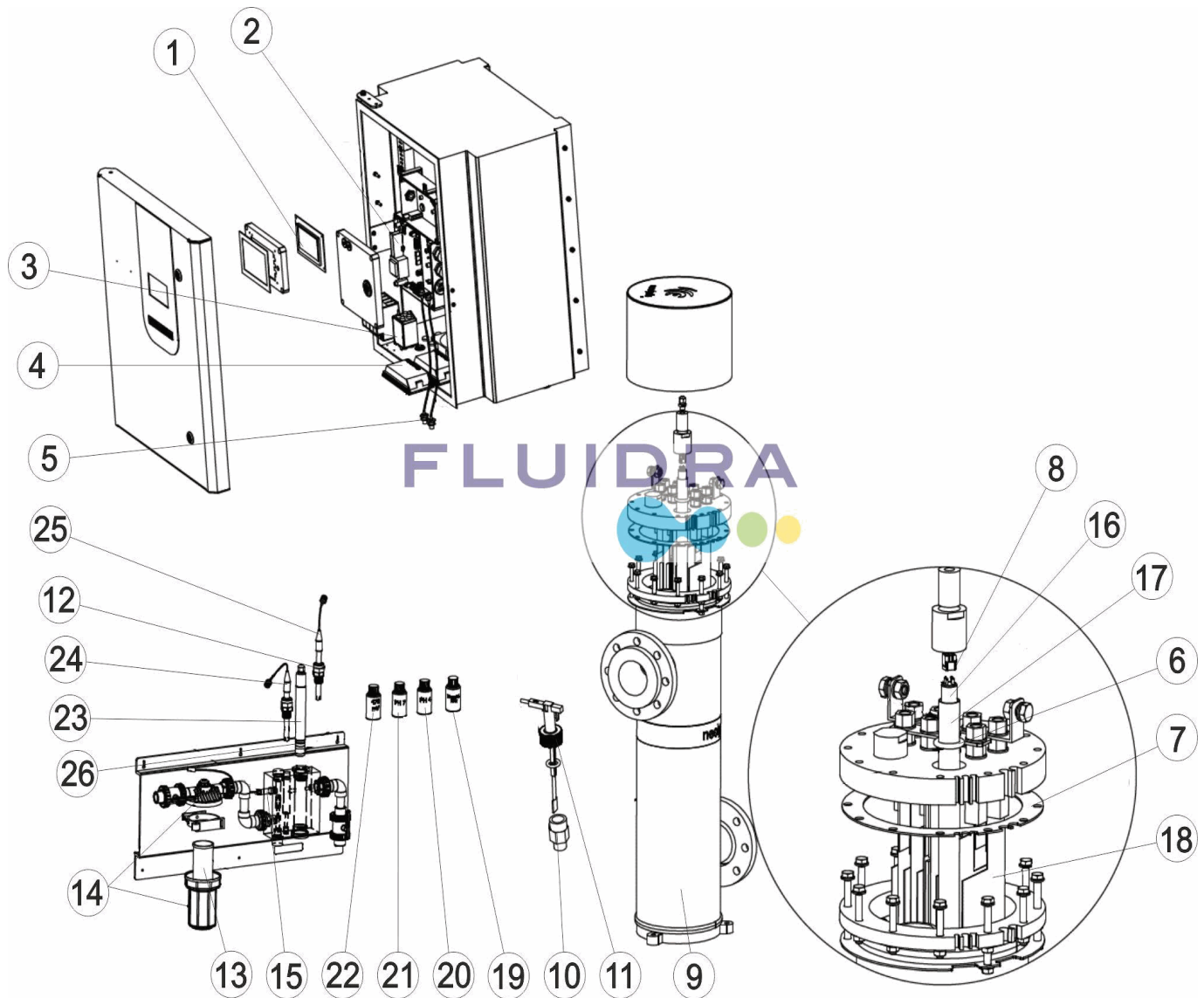


CODIGO 57761, 57764, 57767

DESCRIPCION: SISTEMA NEOLYSIS PISCINA COMERCIAL NEO-80 -EXT-1



ESPAÑOL

POS	CODIGO	DESCRIPCION	POS	CODIGO	DESCRIPCION
1	* 4408040150	TARGETA VISUALIZADORA TACTIL NV1 EX	12	* 4408041310	RACOR INSERCIÓN Sonda 12M/M.-1/2"
1	* 4408040151	TARGETA VISUALIZADORA TACTIL NV1 EX2	13	* 4408041537	FILTRO CARTUCHO LAVABLE
2	* 4408040138	PLACA CONTROL D80 V1	14	* 4408041538	CARTUCHO 80 MICRAS
2	* 4408040143	PLACA CONTROL D80+ V1	15	* 4408041541	SENSOR INDUCTIVO DE CAUDAL
3	4408041021	FILTRO 230V A-65/A-120 EX/PLUS	16	60631	CUARZO UV LP-20-25-30
4	4408070062	BALASTRO LP 20, 25	17	60609	LAMPARA UV LP-25
5	* 4408040088	LATIGUILLO BNC 0,7 EXTERNO	18	61120	RECAMBIO ELECTRODO NEOLYSIS 80GR/H+ UV 90V
5	* 4408040089	LATIGUILLO BNC EXT-2 BNC A PVA 24V	19	* 60646	ELECTROLITO ECC1/GEL Sonda CL
6	4408070077	JUNTA TORICA	20	* 60632	TAMPON PH 7.0 50 M/L. (ROJO)
7	4408040135	JUNTA BRIDA CELULA NEOLYSIS EPDM	21	* 60618	TAMPON PH 7.0 50 M/L. (VERDE)
8	4408070059	CONECTOR 4PIN	22	* 60633	SOLUCION CALIBRACION 470MV.
9	4408040136	CELULA NEOLYSIS PIS. COMER.	23	* 60645	SENSOR CLORO LIBRE
10	4408041210	REDUCCION ROSCADA 3/4" 1/2"	24	* 60648	ELECTRODO COMBINADO PH
11	4408041211	FLUJOSTATO	25	* 60649	ELECTRODO ORP

CODIGO **57761, 57764, 57767**

DESCRIPCION: SISTEMA NEOLYSIS PISCINA COMERCIAL NEO-80 -EXT-1

26	* 60647	CABEZAL MEMBRANA SENSOR CLORO LIBRE			
----	---------	-------------------------------------	--	--	--

CODIGO 57761, 57764, 57767

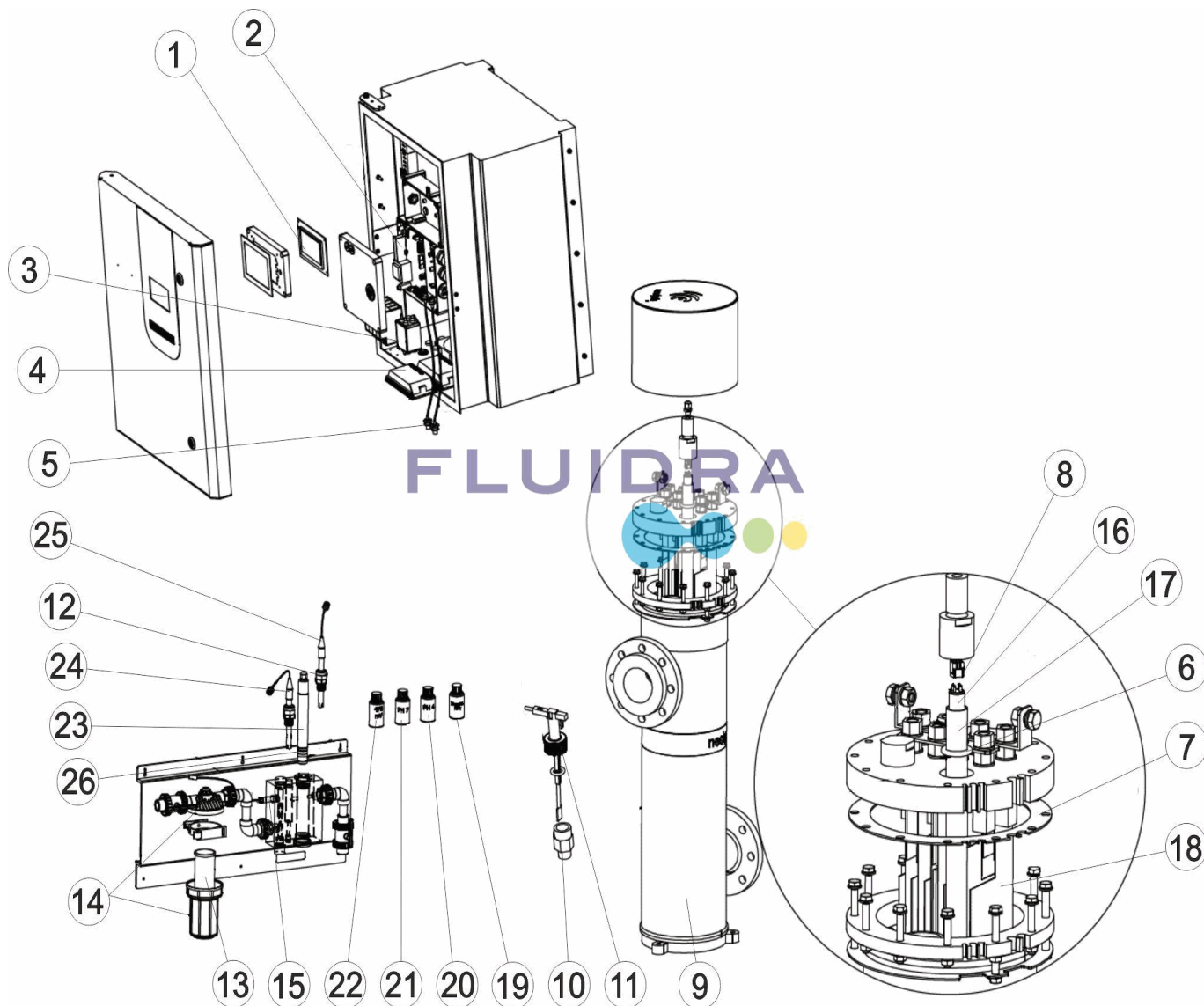
DESCRIPCION: SISTEMA NEOLYSIS PISCINA COMERCIAL NEO-80 -EXT-1

OBSERVACIONES

POS	CODIGO	OBSERVACIONES
1	4408040150	PARA: 57761, 57764
1	4408040151	PARA: 57767
2	4408040138	PARA: 57761
2	4408040143	PARA: 57764, 57767
5	4408040088	PARA: 57764, 57767
5	4408040089	PARA: 57767
12	4408041310	PARA: 57764, 57767
13	4408041537	PARA: 57764, 57767
14	4408041538	PARA: 57764, 57767
15	4408041541	PARA: 57764, 57767
19	60646	PARA: 57767
20	60632	PARA: 57764, 57767
21	60618	PARA: 57764, 57767
22	60633	PARA: 57764
23	60645	PARA: 57767
24	60648	PARA: 57764, 57767
25	60649	PARA: 57764
26	60647	PARA: 57767

CODE 57761, 57764, 57767

DESCRIPTION: SYSTÈME NEOLYSIS PISCINE COMMERCIALE NEO-80 -EXT-1



FRANCAIS

POS	CODE	DESCRIPTION	POS	CODE	DESCRIPTION
1	* 4408040150	CARTE AFFICHEUR ÉLECTROLYSE NV1 EX	12	* 4408041310	CONNECTEUR 12MM. - 1/2"
1	* 4408040151	CARTE AFFICHEUR ÉLECTROLYSE NV1 EX2	13	* 4408041537	FILTRE CARTOUCHE LAVABLE
2	* 4408040138	PLAQUE CONTRÔLE D80 V1	14	* 4408041538	CARTOUCHE 80 MICRONS
2	* 4408040143	PLAQUE CONTRÔLE D80+ V1	15	* 4408041541	SONDE DE DÉBIT INDUCTIVE
3	4408041021	FILTRE 230V A-65/A-120 EX/PLUS	16	60631	GAINÉ QUARTZ LP 20, 25, 30
4	4408070062	BALLAST LP 20, 25	17	60609	LAMPE UV LP-25
5	* 4408040088	CÂBLE BNC 0,7	18	61120	RECHANGE ÉLECTRODE NEOLYSIS 80GR/H+ UV 90V
5	* 4408040089	CÂBLE BNC EXT-2 BNC A PVA 24V	19	* 60646	ELECTROLYTE
6	4408070077	JOINT TORIQUE	20	* 60632	TAMPON PH 7,0 50 M/L. ROUGE
7	4408040135	JOINT CÉLULE NEOLYSIS EPDM	21	* 60618	TAMPON PH 7,0 50 M/L. VERT
8	4408070059	CONNECTEUR 4PIN	22	* 60633	SOLUTION CALIBRAGE 470 MV
9	4408040136	CELLULE NEOLYSIS	23	* 60645	SONDE DE CHLORE LIBRE
10	4408041210	MANCHON PE 1/2" - 3/4"	24	* 60648	ELECTRODE COMBINÉE PH
11	4408041211	CONTROLEUR DE DEBIT	25	* 60649	ELECTRODE ORP

* -> VOIR FICHE D'OBSERVATIONS

CODE **57761, 57764, 57767**DESCRIPTION: **SYSTÈME NEOLYSIS PISCINE COMMERCIALE NEO-80 -EXT-1**

26 * 60647

CAPSULE MEMBRANE POUR SONDE CHLORE LIBRE

CODE **57761, 57764, 57767**

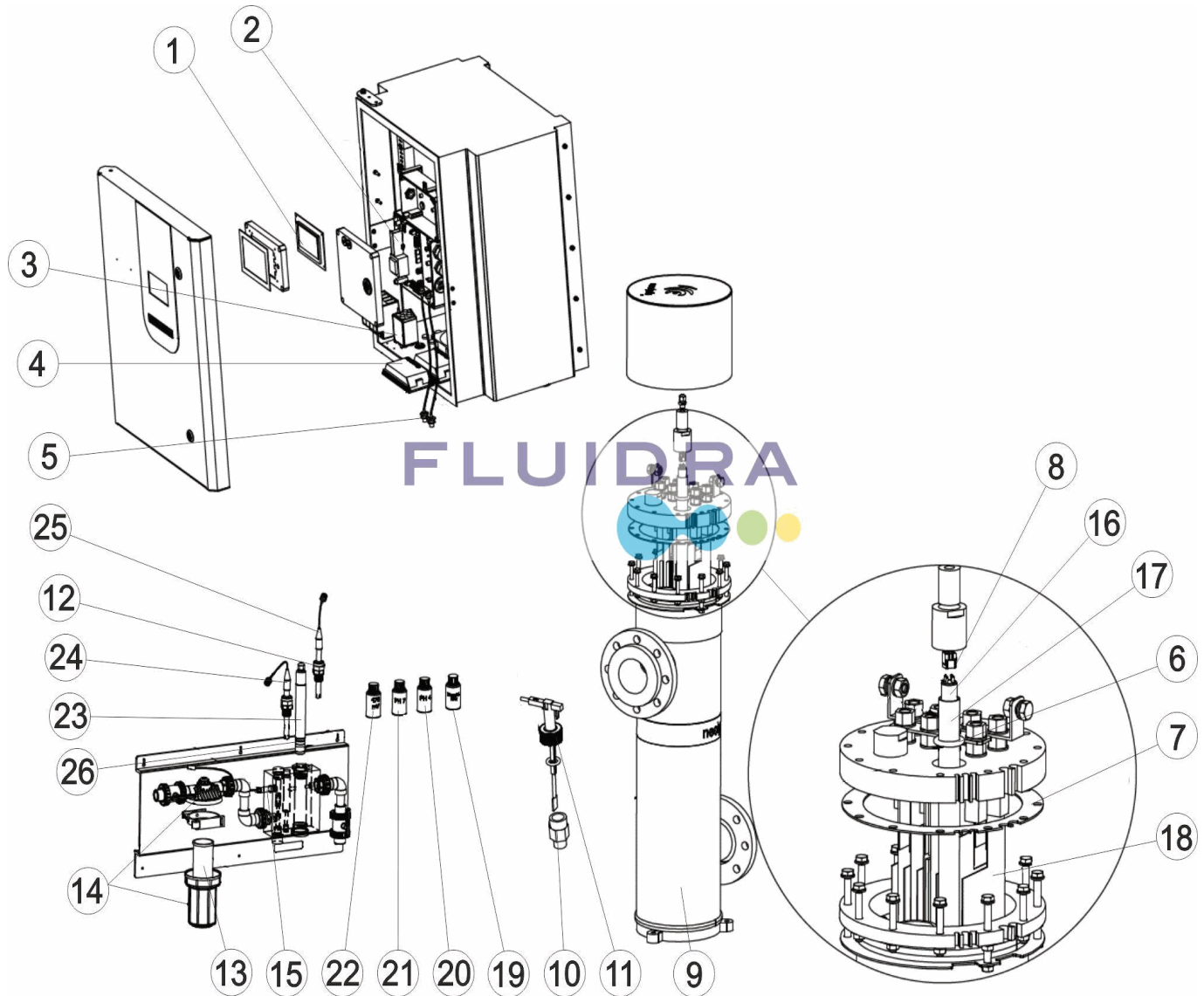
DESCRIPTION: **SYSTÈME NEOLYSIS PISCINE COMMERCIALE NEO-80 -EXT-1**

OBSERVATIONS

POS	CODE	OBSERVATIONS
1	4408040150	POUR: 57761, 57764
1	4408040151	POUR: 57767
2	4408040138	POUR: 57761
2	4408040143	POUR: 57764, 57767
5	4408040088	POUR: 57764, 57767
5	4408040089	POUR: 57767
12	4408041310	POUR: 57764, 57767
13	4408041537	POUR: 57764, 57767
14	4408041538	POUR: 57764, 57767
15	4408041541	POUR: 57764, 57767
19	60646	POUR: 57767
20	60632	POUR: 57764, 57767
21	60618	POUR: 57764, 57767
22	60633	POUR: 57764
23	60645	POUR: 57767
24	60648	POUR: 57764, 57767
25	60649	POUR: 57764
26	60647	POUR: 57767

CODE **57761, 57764, 57767**

DESCRIPTION: **NEOLYSIS SYSTEM FOR COMMERCIAL POOL NEO-80 -EXT-1**



ENGLISH

POS	CODE	DESCRIPTION	POS	CODE	DESCRIPTION
1	* 4408040150	NV1 EX ELECTROLYSIS VIEWER CARD	12	* 4408041310	CONNECTOR 12MM. - 1/2"
1	* 4408040151	NV1 EX2 ELECTROLYSIS VIEWER CARD	13	* 4408041537	WASHABLE CARTRIDGE FILTER
2	* 4408040138	ELECTRONIC CARD D80 V1	14	* 4408041538	80 MICRONS CARTRIDGE
2	* 4408040143	ELECTRONIC CARD D80+ V1	15	* 4408041541	INDUCTIVE FLOW SENSOR
3	4408041021	FILTER 230V A-65/A-120 EX/PLUS	16	60631	QUARTZ SLEEVE LP 20, 25, 30
4	4408070062	BALLAST LP 20, 25	17	60609	LAMPELC UV LP-25
5	* 4408040088	BNC 0,7 EX CABLE	18	61120	ELECTRODE SPARE NEOLYSIS 80GR/H+ UV 90W
5	* 4408040089	EXT-2 BNC A PVA 24V CABLE	19	* 60646	ELECTROLITE
6	4408070077	'O' RING	20	* 60632	CALIBRATION SOLUTION PH 7.0 (RED)
7	4408040135	CELL GASKET NEOLYSIS EPDM	21	* 60618	CALIBRATION SOLUTION PH 7.0 50 ML.(GREEN)
8	4408070059	4PIN CONNECTOR	22	* 60633	CALIBRATION SOLUTION ORP 470 MV
9	4408040136	NEOLYSIS CELL	23	* 60645	FREE CHLORINE SENSOR
10	4408041210	ADAPTOR SOCKET PE 1/2" - 3/4	24	* 60648	ELECTRODE PH
11	4408041211	FLOWSWITCH	25	* 60649	ORP ELECTRODE

* -> SEE OBSERVATIONS SHEET

CODE **57761, 57764, 57767**

DESCRIPTION: **NEOLYSIS SYSTEM FOR COMMERCIAL POOL NEO-80 -EXT-1**

26	* 60647	MEMBRANE CAP FOR FREE CHLORINE SENSOR			
----	---------	---------------------------------------	--	--	--

CODE **57761, 57764, 57767**

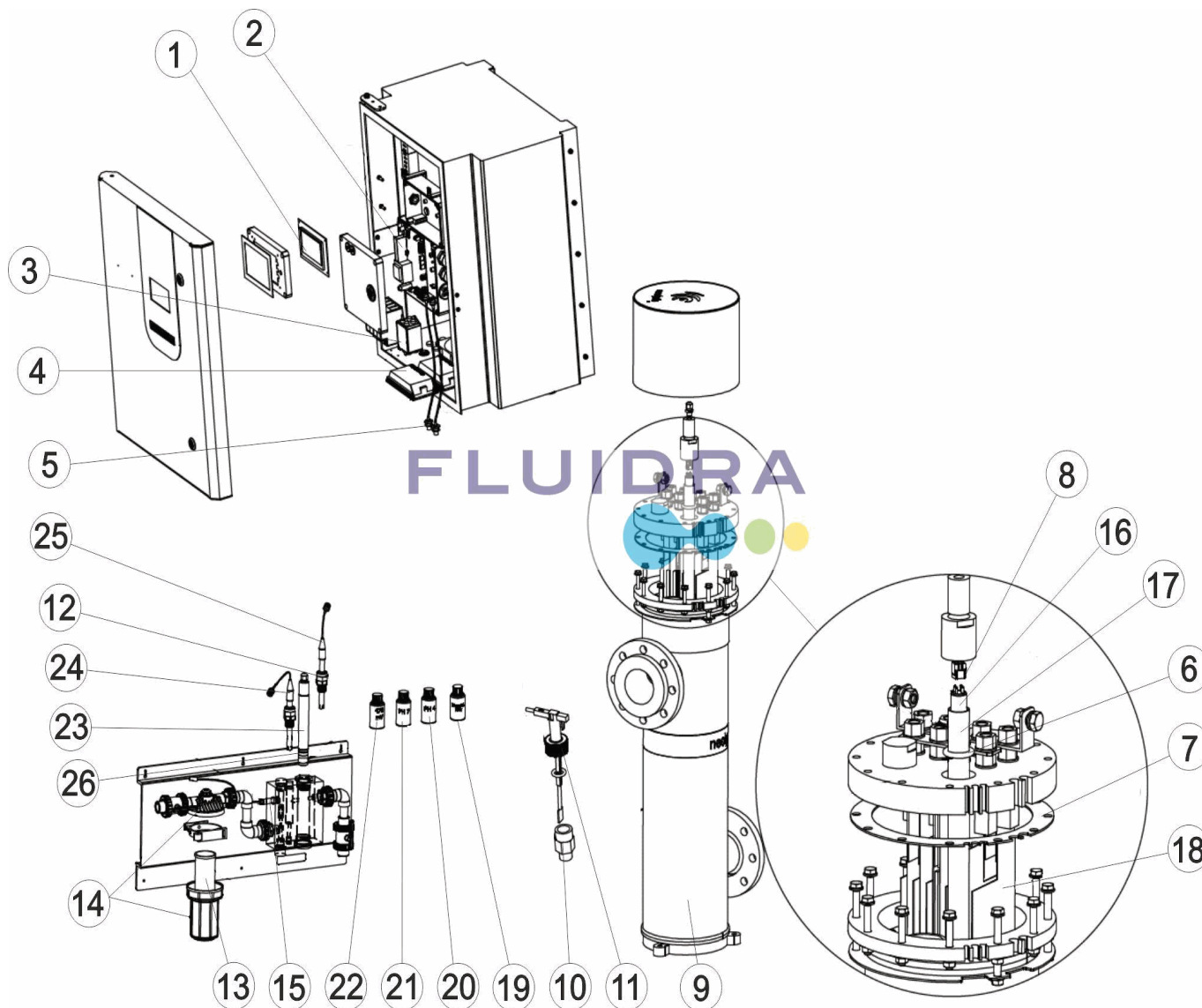
DESCRIPTION: **NEOLYSIS SYSTEM FOR COMMERCIAL POOL NEO-80 -EXT-1**

OBSERVATIONS

POS	CODE	OBSERVATIONS
1	4408040150	FOR: 57761, 57764
1	4408040151	FOR: 57767
2	4408040138	FOR: 57761
2	4408040143	FOR: 57764, 57767
5	4408040088	FOR: 57764, 57767
5	4408040089	FOR: 57767
12	4408041310	FOR: 57764, 57767
13	4408041537	FOR: 57764, 57767
14	4408041538	FOR: 57764, 57767
15	4408041541	FOR: 57764, 57767
19	60646	FOR: 57767
20	60632	FOR: 57764, 57767
21	60618	FOR: 57764, 57767
22	60633	FOR: 57764
23	60645	FOR: 57767
24	60648	FOR: 57764, 57767
25	60649	FOR: 57764
26	60647	FOR: 57767

CODICE **57761, 57764, 57767**

DESCRIZIONE: **SISTEMA NEOLYSIS PISCINA COMMERCIALE NEO-80 -EXT-1**



ITALIANO

POS	CODICE	DESCRIZIONE	POS	CODICE	DESCRIZIONE
1	* 4408040150	SCHEDA VISORE ELETTROLISI NV1 EX	12	* 4408041310	CONNETTORE 12M/M. - 1/2"
1	* 4408040151	SCHEDA VISORE ELETTROLISI NV1 EX2	13	* 4408041537	FILTRO CARTUCCIA LAVABILE
2	* 4408040138	SCHEDA D80 V1	14	* 4408041538	CARTUCCIA 80 MICRON
2	* 4408040143	SCHEDA D80+ V1	15	* 4408041541	SONDA DI FLUSSO INDUTTIVA
3	4408041021	FILTRE 230V A-65/A-120 EX/PLUS	16	60631	GUAINA DI QUARZO LP 20, 25, 30
4	4408070062	REGOLATORE DI CORRENTE LP 20, 25	17	60609	LAMPADA UV LP-25
5	* 4408040088	CAVO BNC 0,7	18	61120	RECAMBIO ELETTRODO NEOLYSIS 80GR/H+ UV 90W
5	* 4408040089	CAVO BNC EXT-2 BNC A PVA 24V	19	* 60646	ELETTROLITO
6	4408070077	O-RING	20	* 60632	SOLUZIONE TAMPONE PH 7,0 50 ML. ROSSO
7	4408040135	GIUNTA CELLULA NEOLYSIS EPDM	21	* 60618	SOLUZIONE TAMPONE PH 7,0 50 ML. VERDE
8	4408070059	CONNETTORE 4910	22	* 60633	SOLUZIONE CALIBRACIONE 470MV.
9	4408040136	CELLULA NEOLYSIS	23	* 60645	SONDA DI CLORO LIBERO
10	4408041210	MANICOTTO PE 1/2" - 3/4"	24	* 60648	ELETTRODO COMBINATO PH
11	4408041211	FLUSSOSTATO	25	* 60649	ELETTRODO RX

*** -> SI FACCIA RIFERIMENTO AL FOGLIO DELLE OSSERVAZIONI**

CODICE **57761, 57764, 57767**

DESCRIZIONE: **SISTEMA NEOLISYS PISCINA COMMERCIALE NEO-80 -EXT-1**

26	* 60647	TAPPO MEMBRANA PER SONDA CLORO LIBERO		
----	---------	---------------------------------------	--	--

CODICE 57761, 57764, 57767

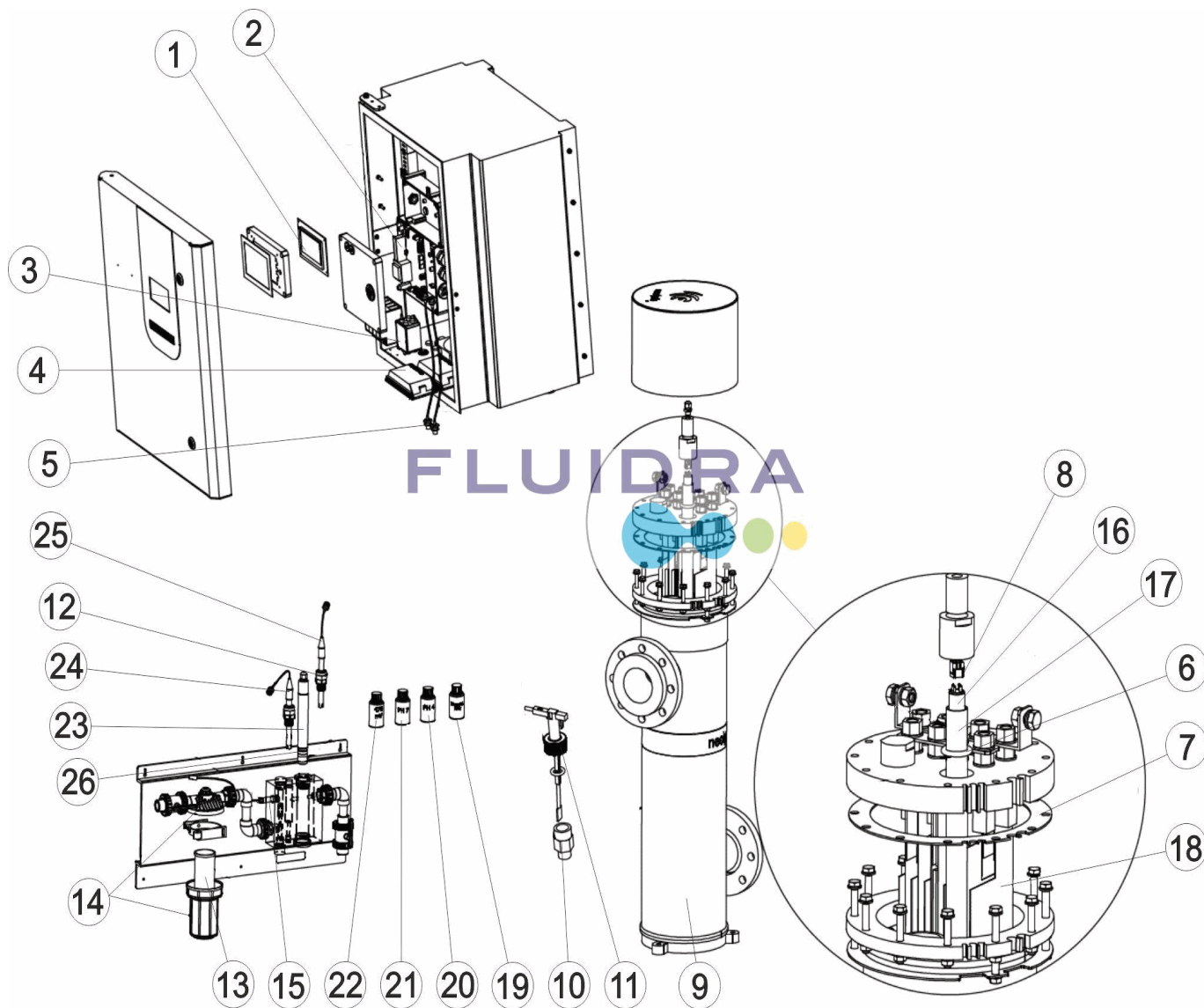
DESCRIZIONE: SISTEMA NEOLISYS PISCINA COMMERCIALE NEO-80 -EXT-1

OSSERVAZIONI

POS	CODICE	OSSERVAZIONI
1	4408040150	PER: 57761, 57764
1	4408040151	PER: 57767
2	4408040138	PER: 57761
2	4408040143	PER: 57764, 57767
5	4408040088	PER: 57764, 57767
5	4408040089	PER: 57767
12	4408041310	PER: 57764, 57767
13	4408041537	PER: 57764, 57767
14	4408041538	PER: 57764, 57767
15	4408041541	PER: 57764, 57767
19	60646	PER: 57767
20	60632	PER: 57764, 57767
21	60618	PER: 57764, 57767
22	60633	PER: 57764
23	60645	PER: 57767
24	60648	PER: 57764, 57767
25	60649	PER: 57764
26	60647	PER: 57767

CODE 57761, 57764, 57767

BESCHREIBUNG: NEOLYSIS-SYSTEM KOMMERZIELLES SCHWIMMBAD NEO-80 -EXT-1



DEUTSCH

POS	CODE	BESCHREIBUNG	POS	CODE	BESCHREIBUNG
1	* 4408040150	ANZEIGEKARTE ELEKTROLYSE NV1 EX	12	* 4408041310	VERBINDUNGSTÜCK 12M/M. - 1/2"
1	* 4408040151	ANZEIGEKARTE ELEKTROLYSE NV1 EX2	13	* 4408041537	WASCHBAER PATRONENFILTER
2	* 4408040138	SCHALTKARTE D80 V1	14	* 4408041538	80-MIKRON PATRONE
2	* 4408040143	SCHALTKARTE D80+ V1	15	* 4408041541	INDUKTIVER STRÖMUNGSMESSWERTGEBER
3	4408041021	FILTER 230V A-65/A-120 EX/PLUS	16	60631	QUARZRÖHRE LP 20, 25, 30
4	4408070062	VORSCHALTGERÄT LP 20, 25	17	60609	LAMPE UV LP-25
5	* 4408040088	BNC 0,7 KABEL	18	61120	ERSATZELEKTRODE NEOLYSIS 80GR/H+ UV 90W
5	* 4408040089	KABEL BNC EXT-2 BNC A PVA 24V	19	* 60646	ELEKTROLYT
6	4408070077	O-RING	20	* 60632	KALIBRIERUNGSLÖSUNG PH 7.0 (GRÜN)
7	4408040135	ZELLENDICHTUNG NEOLYSIS EPDM	21	* 60618	KALIBRIERUNGSLÖSUNG PH 7.0 50 M/L. (ROT)
8	4408070059	STECKKUPPLUNG	22	* 60633	KALIBRIERUNGSLÖSUNG ORP 470 MV
9	4408040136	ZELLE NEOLYSIS	23	* 60645	FREIER CHLOR-SENSOR
10	4408041210	MUFFE PE 1/2" - 3/4"	24	* 60648	ELEKTRODE PH
11	4408041211	STRÖMUNGSSCHALTER EWT	25	* 60649	ORP ELEKTRODE

CODE **57761, 57764, 57767**

BESCHREIBUNG: **NEOLYSIS-SYSTEM KOMMERZIELLES SCHWIMMBAD NEO-80 -EXT-1**

26	* 60647	MEMBRANEN-KAPPE FÜR FREIEN CHLOR-SENSOR		
----	---------	---	--	--

CODE **57761, 57764, 57767**

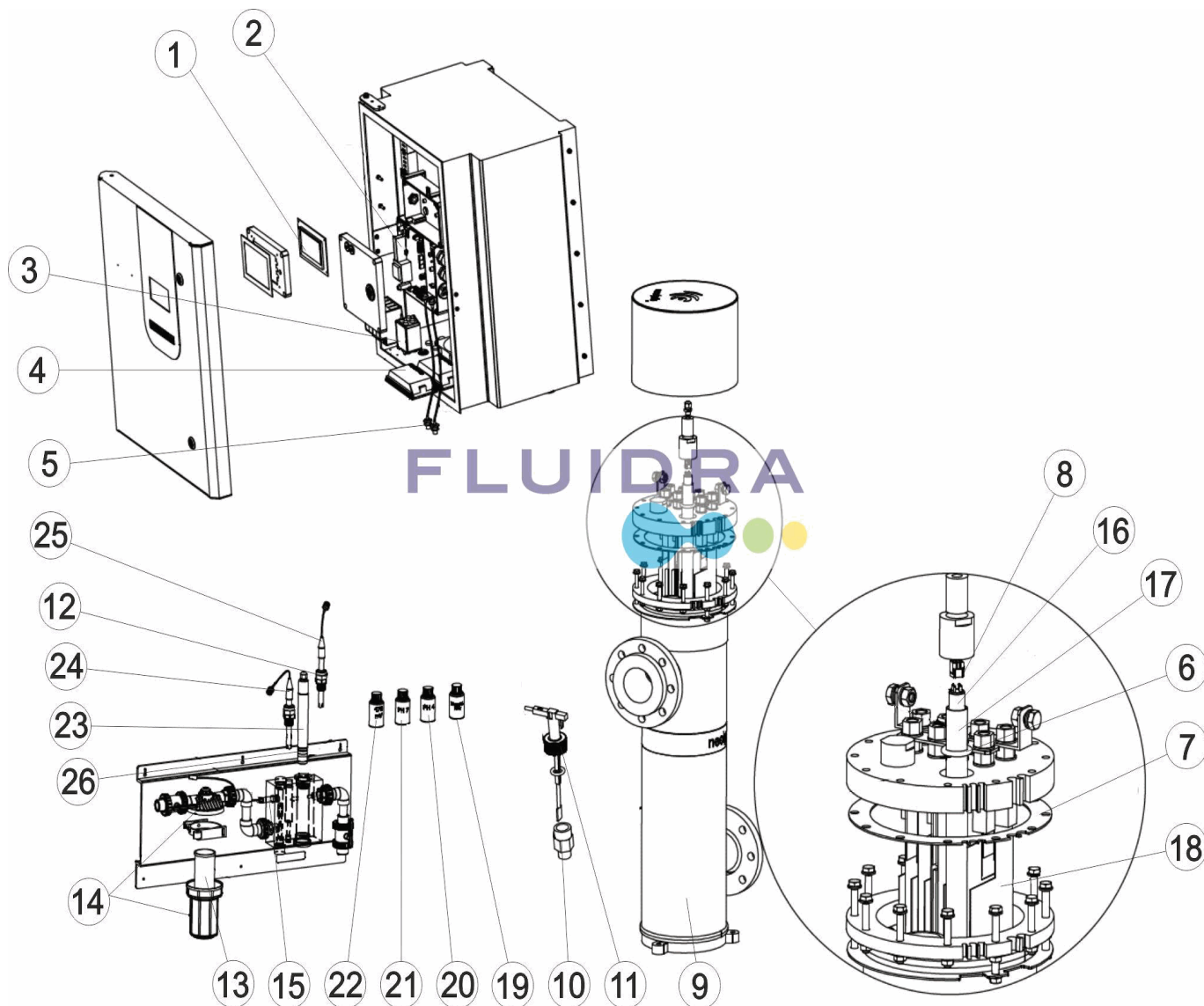
BESCHREIBUNG: **NEOLYSIS-SYSTEM KOMMERZIELLES SCHWIMMBAD NEO-80 -EXT-1**

HINWEISE

POS	CODE	HINWEISE
1	4408040150	FÜR: 57761, 57764
1	4408040151	FÜR: 57767
2	4408040138	FÜR: 57761
2	4408040143	FÜR: 57764, 57767
5	4408040088	FÜR: 57764, 57767
5	4408040089	FÜR: 57767
12	4408041310	FÜR: 57764, 57767
13	4408041537	FÜR: 57764, 57767
14	4408041538	FÜR: 57764, 57767
15	4408041541	FÜR: 57764, 57767
19	60646	FÜR: 57767
20	60632	FÜR: 57764, 57767
21	60618	FÜR: 57764, 57767
22	60633	FÜR: 57764
23	60645	FÜR: 57767
24	60648	FÜR: 57764, 57767
25	60649	FÜR: 57764
26	60647	FÜR: 57767

CODIGO **57761, 57764, 57767**

DESCRIÇÃO: **SISTEMA NEOLYSIS PISCINA COMERCIAL NEO-80 -EXT-1**



PORTUGUES

POS	CODIGO	DESCRIÇÃO	POS	CODIGO	DESCRIÇÃO
1	* 4408040150	PLACA VISUALIZAÇÃO ELECTRÓLISE NV1 EX	12	* 4408041310	CONECTOR 12M/M. - 1/2"
1	* 4408040151	PLACA VISUALIZAÇÃO ELECTRÓLISE NV1 EX2	13	* 4408041537	FILTRO CARTUCHO LAVÁVEL
2	* 4408040138	PLACA CONTROLO D80 V1	14	* 4408041538	CARTUCHO 80 MÍCRONS
2	* 4408040143	PLACA CONTROLO D80+ V1	15	* 4408041541	SONDA DE CAUDAL INDUTIVA
3	4408041021	FILTRO 230V A-65/A-120 EX/PLUS	16	60631	TUBO DE QUARZO LP 20, 25, 30
4	4408070062	BALASTRO LP 20, 25	17	60609	LÂMPADA UV LP-25
5	* 4408040088	CABO BNC 0,7	18	61120	SOBRESSALENTE ELÉCTRODO NEOLYSIS 80GR/H+
5	* 4408040089	CABO BNC EXT-2 BNC A PVA 24V	19	* 60646	ELECTROLITO
6	4408070077	JUNTA TÓRICA	20	* 60632	SOLUÇÃO TAMPÃO PH 7.0
7	4408040135	JUNTA CELULA NEOLYSIS EPDM	21	* 60618	SOLUÇÃO TAMPÃO PH 7.0 50 M/L.
8	4408070059	LIGAÇÃO 4PIN	22	* 60633	SOLUÇÃO TAMPÃO 470 MV
9	4408040136	CÉLULA NEOLYSIS	23	* 60645	SONDA DE CLORO LIVRE
10	4408041210	UNIÃO PE 1/2" - 3/4"	24	* 60648	ELECTRODO COMBINADO PH
11	4408041211	FLUXO-ESTATO	25	* 60649	ELECTRODO ORP

CODIGO **57761, 57764, 57767**

DESCRIÇÃO: SISTEMA NEOLYSIS PISCINA COMERCIAL NEO-80 -EXT-1

26	* 60647	CÁPSULA MEMBRANA PARA Sonda CLORO LIVRE			
----	---------	---	--	--	--

CODIGO 57761, 57764, 57767

DESCRIÇÃO: SISTEMA NEOLYSIS PISCINA COMERCIAL NEO-80 -EXT-1

OBSERVAÇÕES

POS	CODIGO	OBSERVAÇÕES
1	4408040150	PARA: 57761, 57764
1	4408040151	PARA: 57767
2	4408040138	PARA: 57761
2	4408040143	PARA: 57764, 57767
5	4408040088	PARA: 57764, 57767
5	4408040089	PARA: 57767
12	4408041310	PARA: 57764, 57767
13	4408041537	PARA: 57764, 57767
14	4408041538	PARA: 57764, 57767
15	4408041541	PARA: 57764, 57767
19	60646	PARA: 57767
20	60632	PARA: 57764, 57767
21	60618	PARA: 57764, 57767
22	60633	PARA: 57764
23	60645	PARA: 57767
24	60648	PARA: 57764, 57767
25	60649	PARA: 57764
26	60647	PARA: 57767