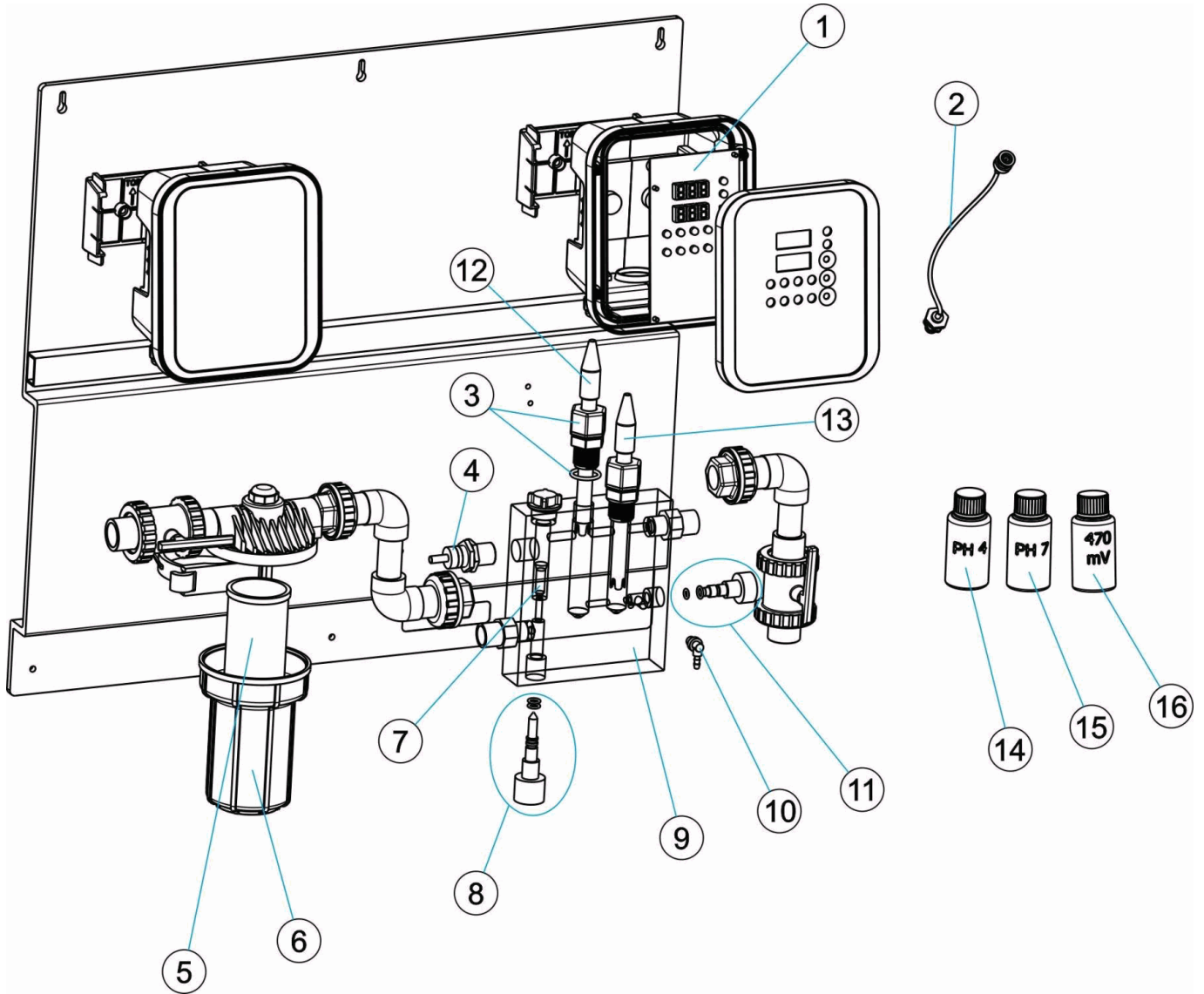


CODIGO 60359

DESCRIPCION: AP PR-206 PH/ORP



ESPAÑOL

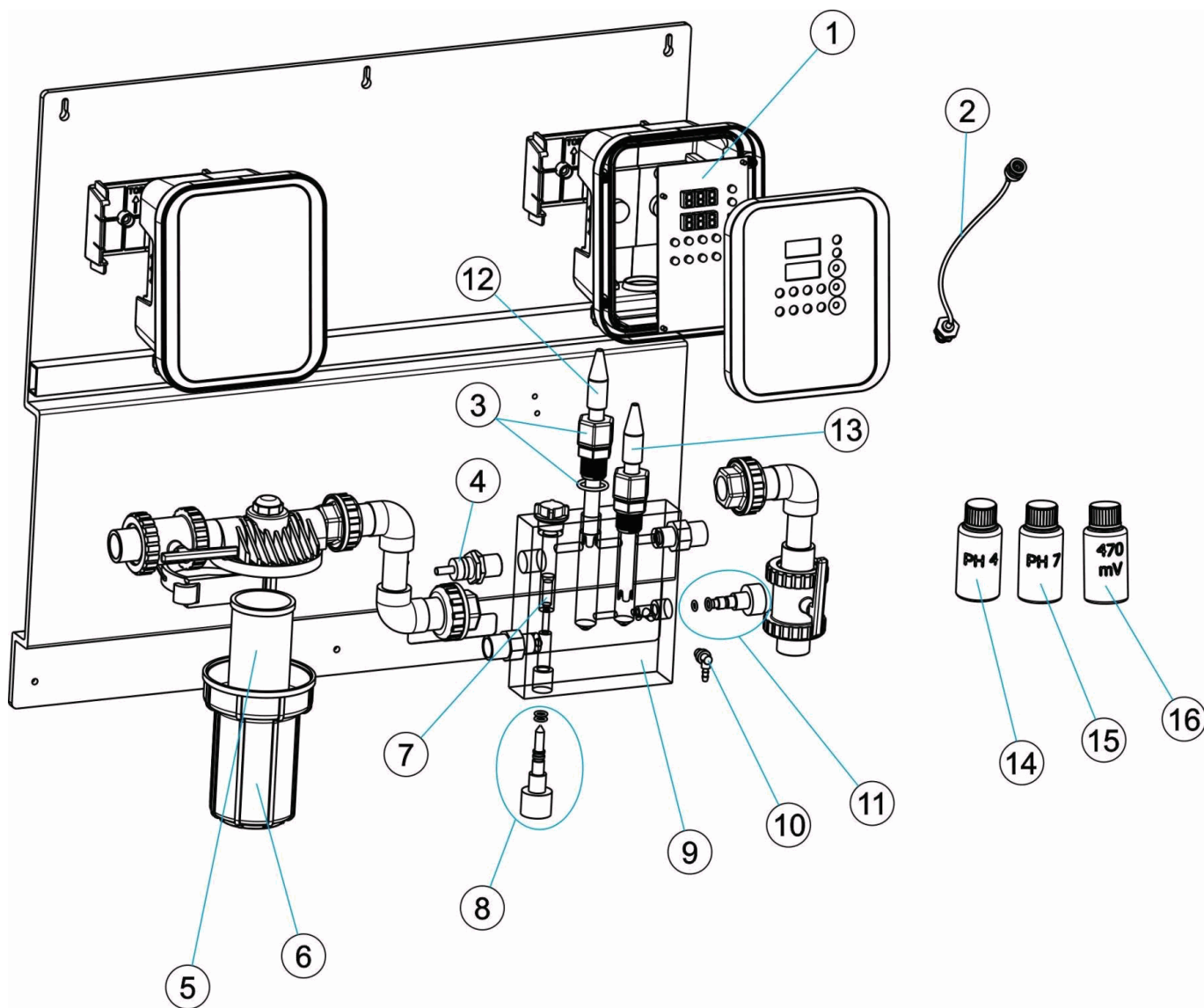
POS	CODIGO	DESCRIPCION	POS	CODIGO	DESCRIPCION
1	* 4408040153	PLACA CONTROL ORP	9	4408040155	PORTASONDAS PH/ORP + PRX REP/VTA
1	* 4408040154	PLACA CONTROL PH	10	4408040158	SALIDA DESAGÜE TOMA MUESTRAS
2	4408070069	CONECTOR BCN	11	4408040157	VÁLVULA TOMA MUESTRAS
3	4408041310	RACOR INSERCIÓN Sonda 12M/M.-1/2"	12	60648	ELECTRODO COMBINADO PH
4	4408041541	SENSOR INDUCTIVO DE CAUDAL	13	60649	ELECTRODO ORP
5	4408041537	FILTRO CARTUCHO LAVABLE	14	60632	TAMPON PH 4,0 50 ML. (ROJO)
6	4408041538	CARTUCHO 80 MICRAS	15	60618	TAMPON PH 7,0 50 M/L. (VERDE)
7	4408040159	FLOTADOR DETECTOR DE CAUDAL	16	60633	SOLUCION CALIBRACION 470MV.
8	4408040156	VALVULA CAUDAL + JUNTA TORICA			

CODIGO **60359**DESCRIPCION: **AP PR-206 PH/ORP****OBSERVACIONES**

POS	CODIGO	OBSERVACIONES
1	4408040153	ORP
1	4408040154	PH

CODE 60359

DESCRIPTION: AP PR-206 PH/ORP



FRANCAIS

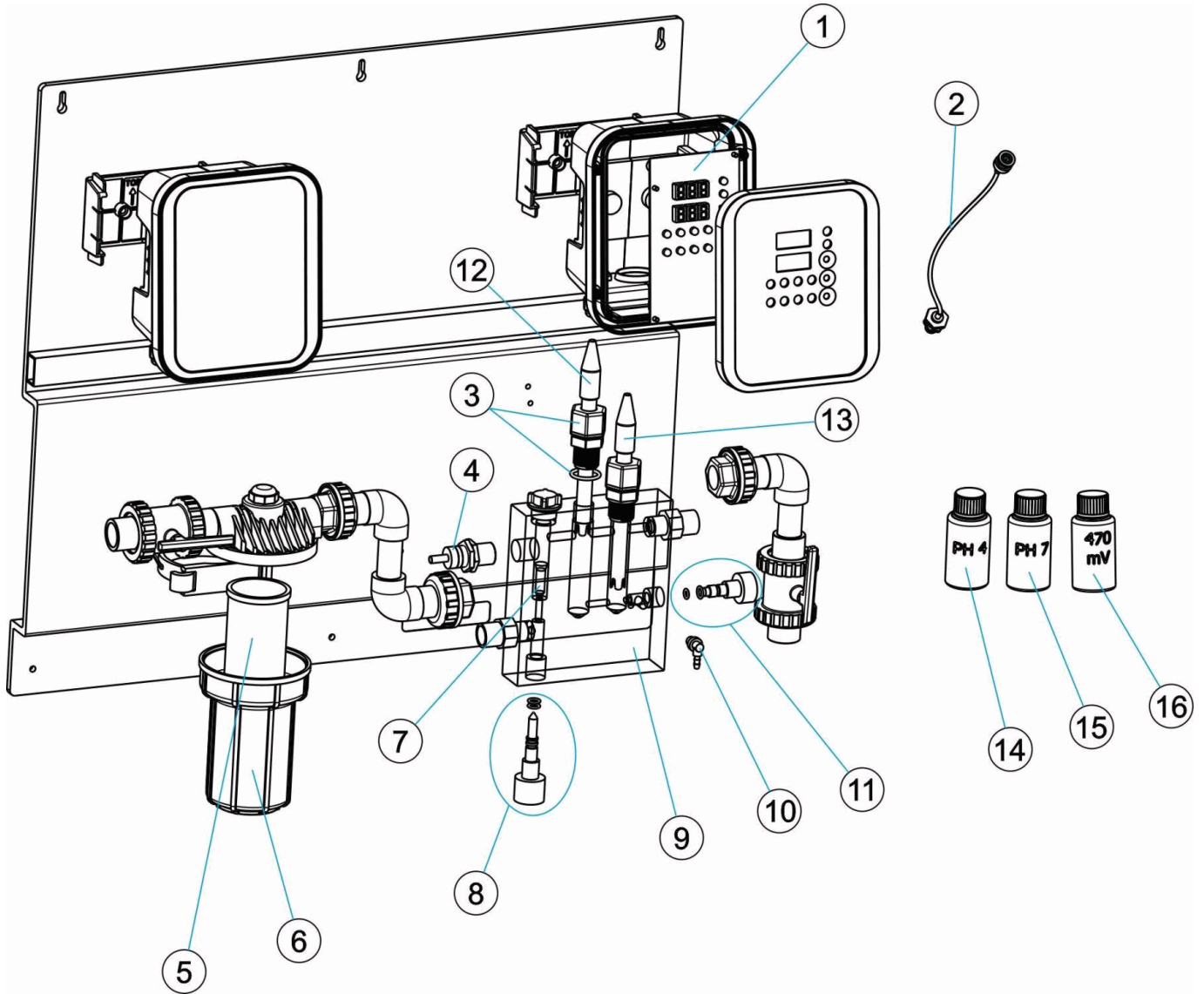
POS	CODE	DESCRIPTION	POS	CODE	DESCRIPTION
1	* 4408040153	PLAQUE CONTRÔLE ORP	9	4408040155	PORTE-SONDES PH/ORP + PRX REP/VA
1	* 4408040154	PLAQUE CONTRÔLE PH	10	4408040158	SORTIE DRAINAGE PRISE ÉCHANTILLONS
2	4408070069	CONNECTEUR BCN	11	4408040157	VANNE PRISE ÉCHANTILLONS
3	4408041310	CONNECTEUR 12M/M. - 1/2"	12	60648	ELECTRODE COMBINÉE PH
4	4408041541	SONDE DE DÉBIT INDUCTIVE	13	60649	ELECTRODE ORP
5	4408041537	FILTRE CARTOUCHE LAVABLE	14	60632	TAMPON PH 4,0 50 ML. (ROUGE)
6	4408041538	CARTOUCHE 80 MICRONS	15	60618	TAMPON PH 7,0 50 M/L. (VERT)
7	4408040159	FLOTTEUR DÉTECTEUR DÉBIT	16	60633	SOLUTION CALIBRAGE 470 MV
8	4408040156	VANNE REGULATION DE DEBIT + JOINT TORIQUE			

CODE **60359**DESCRIPTION: **AP PR-206 PH/ORP****OBSERVATIONS**

POS	CODE	OBSERVATIONS
1	4408040153	ORP
1	4408040154	PH

CODE **60359**

DESCRIPTION: **AP PR-206 PH/ORP**



ENGLISH

POS	CODE	DESCRIPTION	POS	CODE	DESCRIPTION
1	* 4408040153	ELECTRONIC CARD ORP	9	4408040155	SENSOR HOLDER PH/ORP + PRX REP/VTA
1	* 4408040154	ELECTRONIC CARD PH	10	4408040158	SAMPLING DRAIN OUTLET
2	4408070069	BCN CONNECTOR	11	4408040157	SAMPLING VALVE
3	4408041310	CONNECTOR 12M/M. - 1/2"	12	60648	ELECTRODE PH
4	4408041541	INDUCTIVE FLOW SENSOR	13	60649	ORP ELECTRODE
5	4408041537	WASHABLE CARTRIDGE FILTER	14	60632	CALIBRATION SOLUTION PH 4,0 50 ML. (RED)
6	4408041538	80 MICRONS CARTRIDGE	15	60618	CALIBRATION SOLUTION PH 7,0 50 M/L. (GREEN)
7	4408040159	FLOW DETECTOR FLOAT	16	60633	CALIBRATION SOLUTION ORP 470 MV
8	4408040156	CONTROL VALVE + O' RING			

CODE **60359**

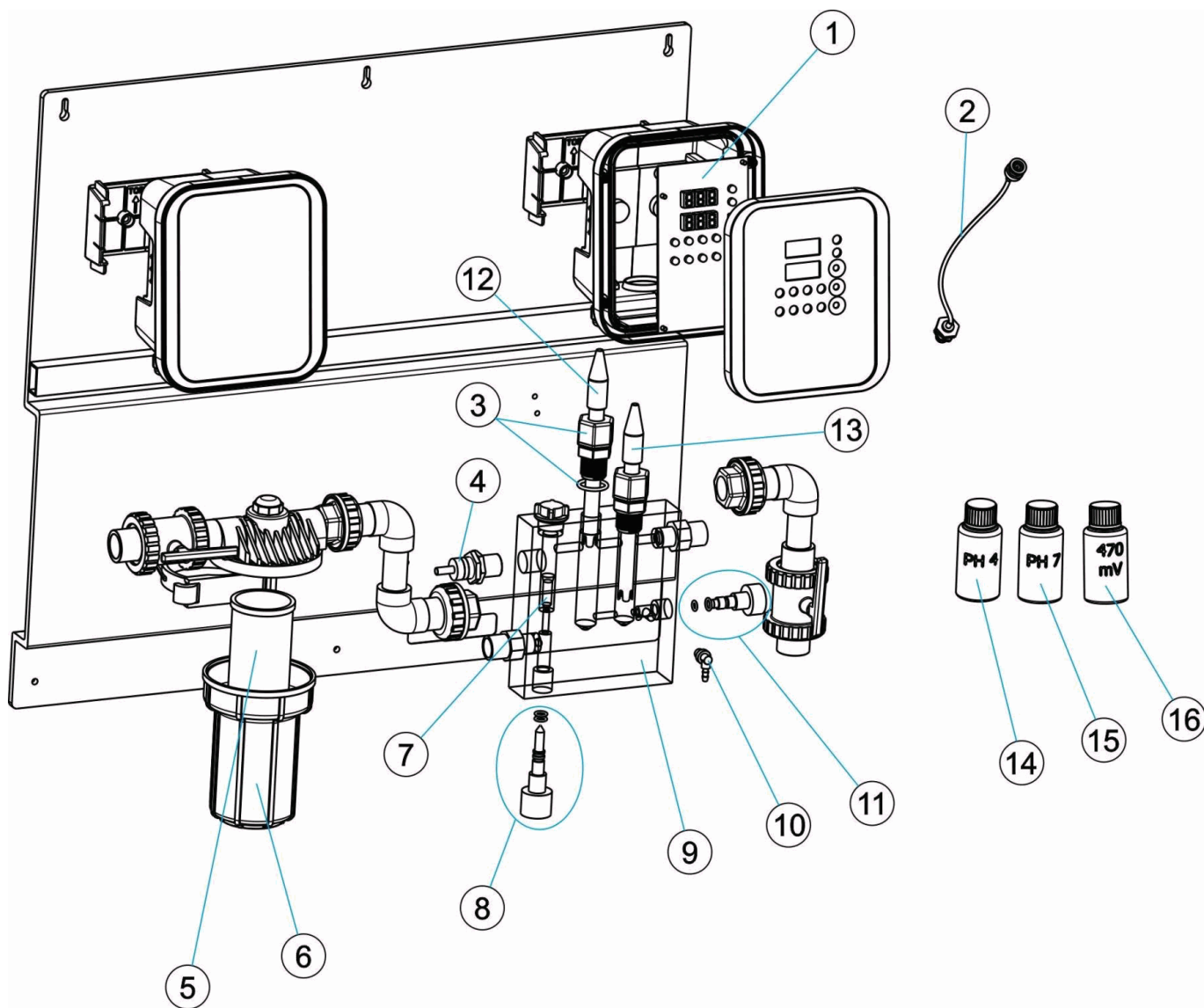
DESCRIPTION: **AP PR-206 PH/ORP**

OBSERVATIONS

POS	CODE	OBSERVATIONS
1	4408040153	ORP
1	4408040154	PH

CODICE **60359**

DESCRIZIONE: **AP PR-206 PH/ORP**



ITALIANO

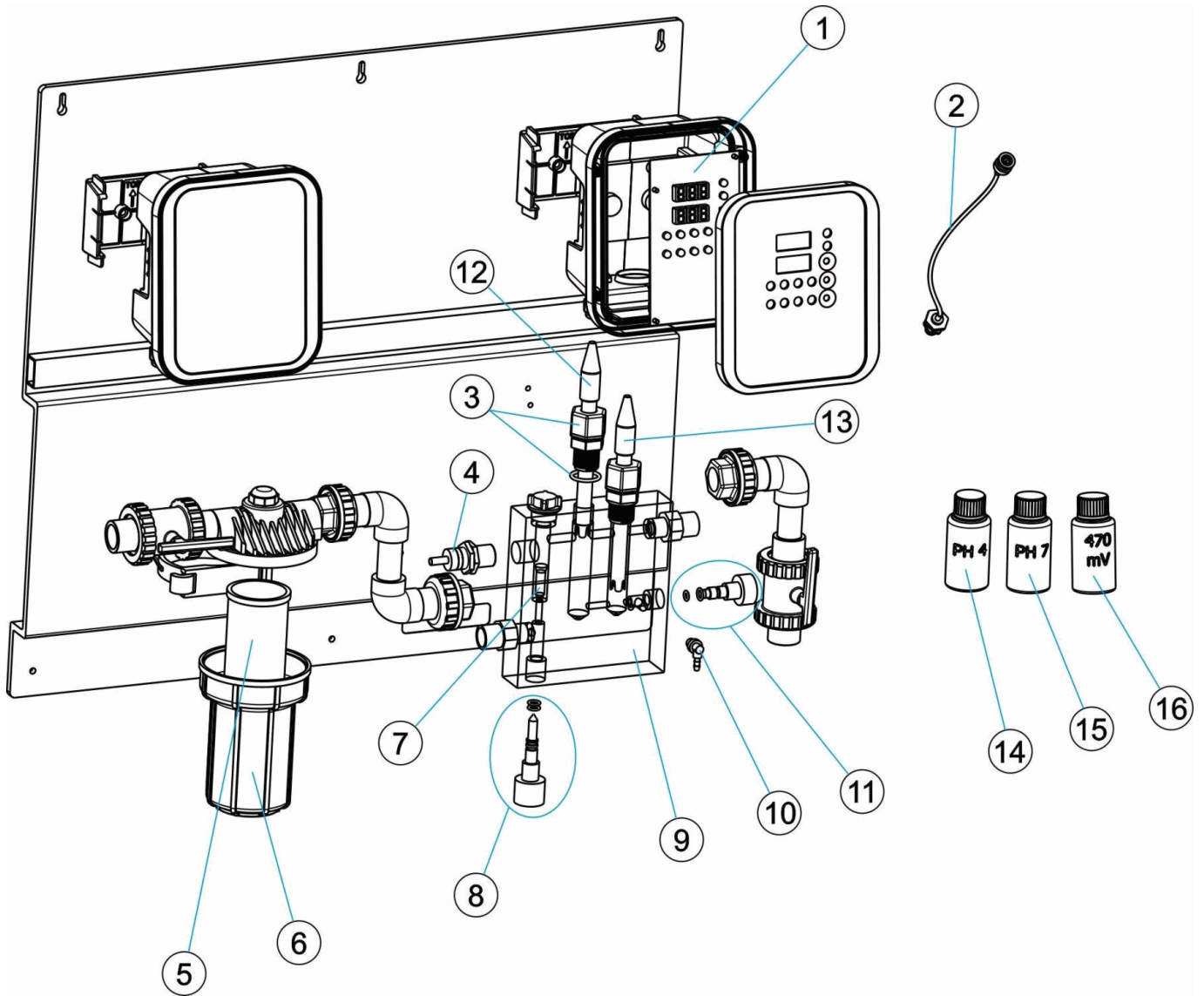
POS	CODICE	DESCRIZIONE	POS	CODICE	DESCRIZIONE
1	* 4408040153	SCHEDA ORP	9	4408040155	PORTA-SONDE PH/ORP + PRX REP/VTA
1	* 4408040154	SCHEDA PH	10	4408040158	USCITA SCARICO PRELIEVO CAMPIONI
2	4408070069	CONNETTORE BCN	11	4408040157	VALVOLA PRELIEVO CAMPIONI
3	4408041310	CONNETTORE 12M/M. - 1/2"	12	60648	ELETTRODO COMBINATO PH
4	4408041541	SONDA DI FLUSSO INDUTTIVA	13	60649	ELETTRODO RX
5	4408041537	FILTRO CARTUCCIA LAVABILE	14	60632	SOLUZIONE TAMPONE PH 4,0 50 ML. (ROSSO)
6	4408041538	CARTUCCIA 80 MICRON	15	60618	SOLUZIONE TAMPONE PH 7,0 50 M/L. (VERDE)
7	4408040159	GALLEGGIANTE RILEVATORE DI PORTATA	16	60633	SOLUZIONE CALIBRAZIONE 470MV.
8	4408040156	VALVOLA DI REGOLAZIONE + O-RING			

CODICE **60359**DESCRIZIONE: **AP PR-206 PH/ORP****OSSERVAZIONI**

POS	CODICE	OSSERVAZIONI
1	4408040153	ORP
1	4408040154	PH

CODE 60359

BESCHREIBUNG: AP PR-206 PH/ORP



DEUTSCH

POS	CODE	BESCHREIBUNG	POS	CODE	BESCHREIBUNG
1	* 4408040153	ORP-KONTROLLPLATTE	9	4408040155	SONDENHALTERUNG PH/ORP + PRX REP/VTA
1	* 4408040154	PH-KONTROLLPLATTE	10	4408040158	ABLASS PROBEENTNAHME
2	4408070069	STECKKUPPLUNG BCN	11	4408040157	VENTIL PROBEENTNAHME
3	4408041310	GEWINDESTÜCK SONDE 12 MM - 1/2"	12	60648	ELEKTRODE KOMBINIERT PH
4	4408041541	INDUKTIVER DURCHFLUSSMESSER	13	60649	ORP-ELEKTRODE
5	4408041537	KARTUSCHENFILTER WASCHBAR	14	60632	PUFFER PH 4,0 50 ML (ROT)
6	4408041538	KARTUSCHE 80 MIKRON	15	60618	PUFFER PH 7,0 50 M/L (GRÜN)
7	4408040159	SCHWIMMER DURCHFLUSSANZEIGE	16	60633	KALIBRIERLÖSUNG 47 0MV
8	4408040156	DURCHFLUSSVENTIL + O-RING			

CODE **60359**

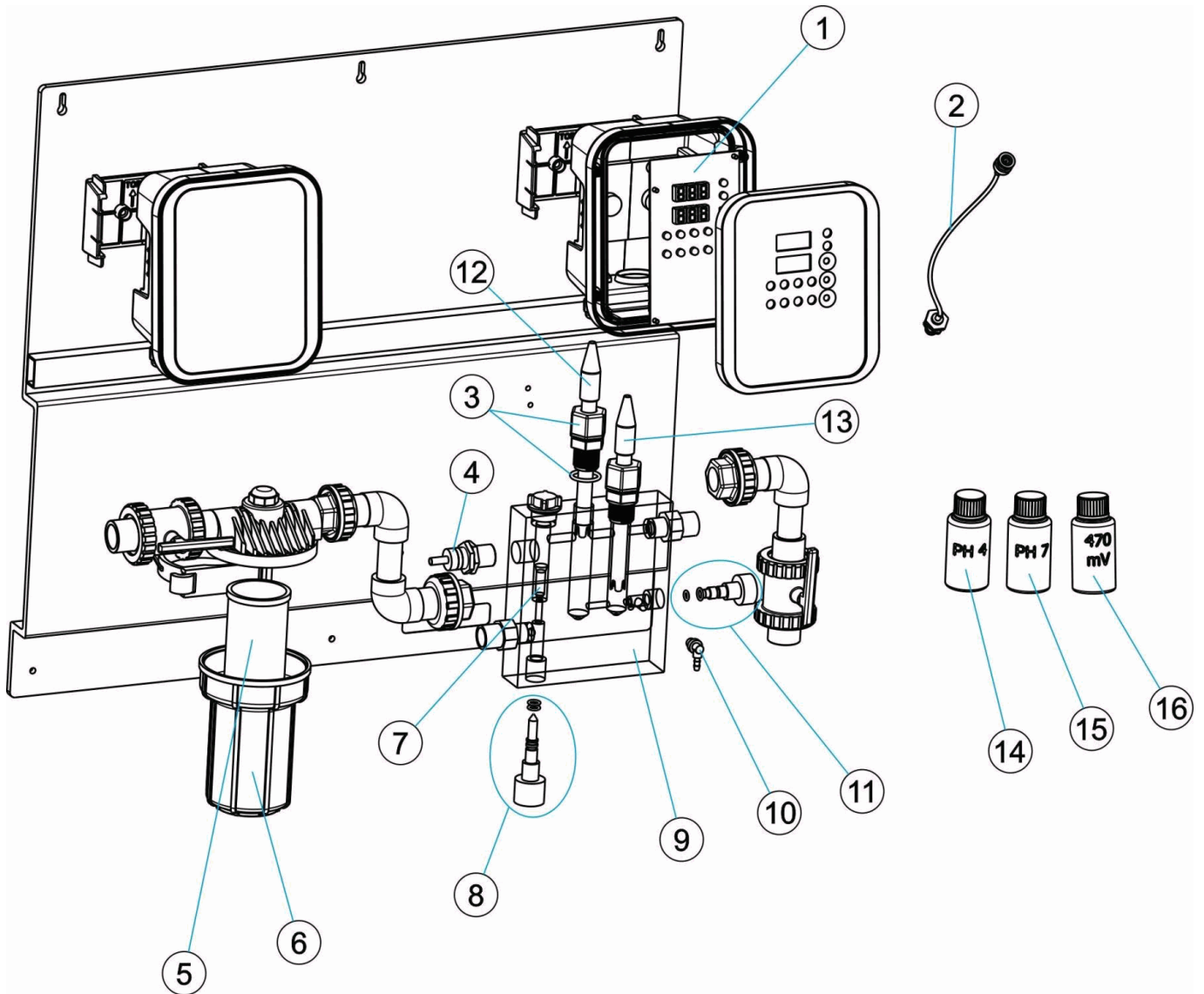
BESCHREIBUNG: **AP PR-206 PH/ORP**

HINWEISE

POS	CODE	HINWEISE
1	4408040153	ORP
1	4408040154	PH

CODIGO 60359

DESCRIÇÃO: AP PR-206 PH/ORP



PORTUGUES

POS	CODIGO	DESCRIÇÃO	POS	CODIGO	DESCRIÇÃO
1	* 4408040153	PLACA CONTROLO ORP	9	4408040155	PORTA-SONDAS PH/ORP + PRX REP/VA
1	* 4408040154	PLACA CONTROLO PH	10	4408040158	SAÍDA DESCARGA RECOLHA AMOSTRAS
2	4408070069	LIGAÇÃO BCN	11	4408040157	VÁLVULA RECOLHA AMOSTRAS
3	4408041310	CONECTOR 12M/M. - 1/2"	12	60648	ELECTRODO COMBINADO PH
4	4408041541	SONDA DE CAUDAL INDUTIVA	13	60649	ELECTRODO ORP
5	4408041537	FILTRO CARTUCHO LAVÁVEL	14	60632	SOLUÇÃO TAMPÃO PH 4,0 50 ML. (VERMELHO)
6	4408041538	CARTUCHO 80 MÍCRONS	15	60618	SOLUÇÃO TAMPÃO PH 7,0 50 M/L. (VERDE)
7	4408040159	BOIA DETETOR DE CAUDAL	16	60633	SOLUÇÃO TAMPÃO 470 MV
8	4408040156	VÁLVULA CAUDAL + JUNTA TÓRICA			

CODIGO **60359**DESCRIÇÃO: **AP PR-206 PH/ORP****OBSERVAÇÕES**

POS	CODIGO	OBSERVAÇÕES
1	4408040153	ORP
1	4408040154	PH