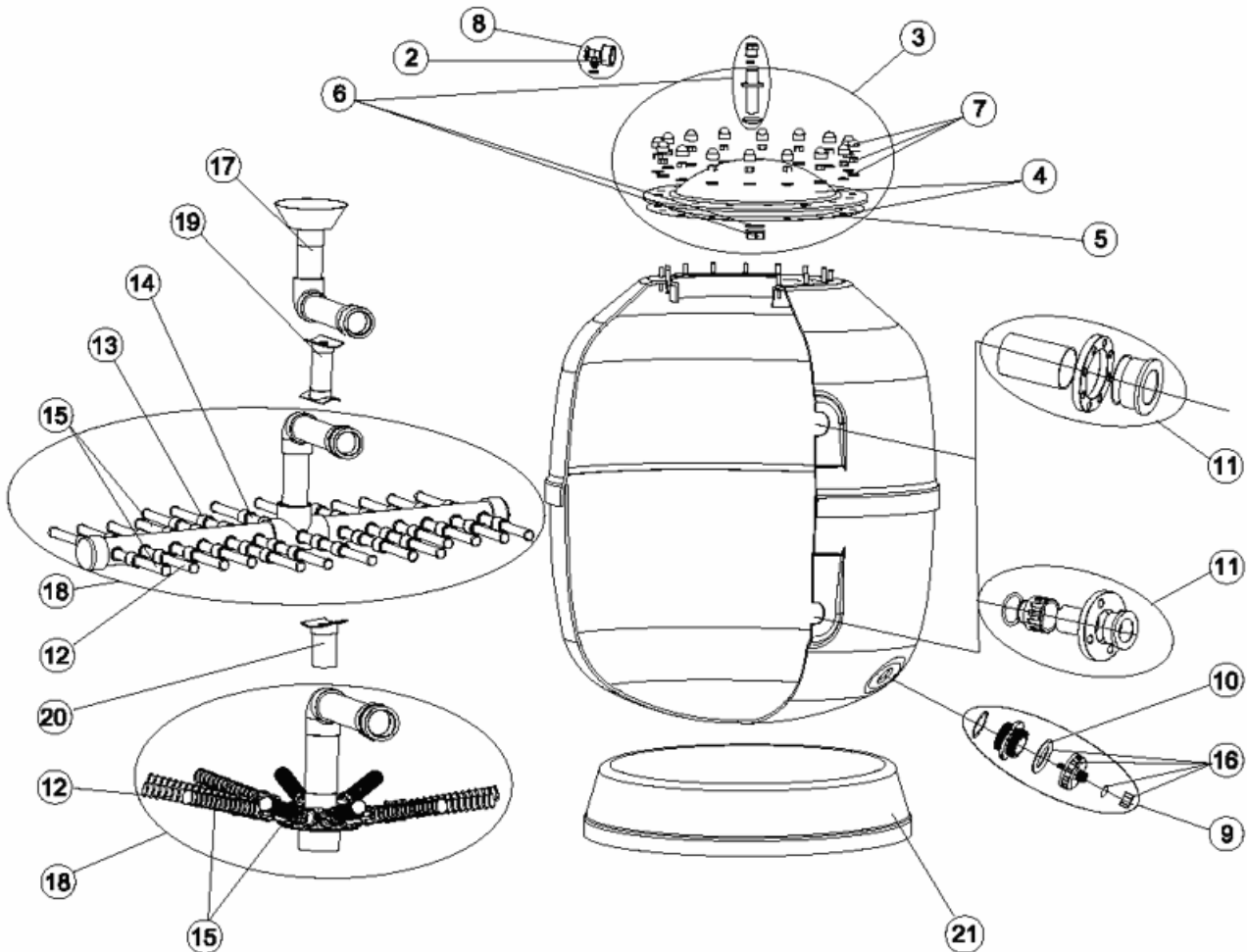


CODE **28123, 28124, 28125, 28126, 28127, 28128, 28129, 28130, 28131, 28132, 28133, 28134, 28135, 28136, 28455, 28456, 28457, 28458, 28459**

BESCHREIBUNG: **FILTER VOLCANO D. 1050 AL 2000**



**DEUTSCHE**

POS	CODE	BESCHREIBUNG	POS	CODE	BESCHREIBUNG
1	4404040113	KAPPE ENTLERUNG UND DICHTUNG	12	4404290109	"KOLLEKTORARM 1"™ 265 M/M."
2	4404010103	"MANOMETER 1/8"™ 3 KG./CM"	13	4404260418	"MUFFE 1"™"
3	4404260207	FILTERDECKEL KOMPLETT	14	4404260419	"FILTERSTERN SCHLITZROHR 1"™ 100MM"
4	4404260208	DECKEL + DICHTUNG	15	4404260401	SET FILTERSTERN SCHLITZROHR D.1050
5	4404160101	DICHTUNG DECKEL	15	4404260402	SET FILTERSTERN SCHLITZROHR D.1200
6	4404260210	BEFESTIGUNG MANOMETER	15	4404260403	SET FILTERSTERN SCHLITZROHR D.1400
7	4404260211	SCHRAUBENSATZ DECKEL	15	4404260404	SET FILTERSTERN SCHLITZROHR D.1600
8	4404080104	MANOMETER + ENTLÜFTUNG	15	4404260406	SET FILTERSTERN SCHLITZROHR D.2000
9	4404020010	ENTLÜFTUNGSSET 2 1/2"	15	4404260405	SET FILTERSTERN SCHLITZROHR D.1800
10	4404180108	FLACHDICHTUNG FILTER	16	4404180114	"ENTLEERUNG 2"™"
11	4404260420	FILTERANSCHLÜSSE D.63 VOLCANO	17	28455R0410	OBERER WASSERVERTEILER D.63/D.1050
11	4404260421	FILTERANSCHLÜSSE D.75 VOLCANO	17	28456R0410	OBERER WASSERVERTEILER D.75/D.1050
11	4404260218	"SET AUSLAUF 3"™"	17	28457R0410	OBERER WASSERVERTEILER D.90/D.1050
11	4404260412	FILTERANSCHLÜSSE D.110 VOLCANO	17	28458R0410	OBERER WASSERVERTEILER D.75/D.1200
11	4404260413	FILTERANSCHLÜSSE D.125 VOLCANO	17	28459R0410	OBERER WASSERVERTEILER D.90/D.1200
11	4404260414	FILTERANSCHLÜSSE D.140 VOLCANO	17	28123R0410	OBERER WASSERVERTEILER D.75/D.1400
11	4404260415	FILTERANSCHLÜSSE D.160 VOLCANO	17	28124R0410	OBERER WASSERVERTEILER D.90/D.1400
12	4404300916	"FILTERSTERN SCHLITZROHR 1"™ 225 MM"	17	28125R0410	OBERER WASSERVERTEILER D.110 - 1400
12	4404300915	"FILTERSTERN SCHLITZROHR 1"™ 175 MM"	17	28126R0406	OBERER WASSERVERTEILER D.90/D.1600

CODE **28123, 28124, 28125, 28126, 28127, 28128, 28129, 28130, 28131, 28132, 28133, 28134, 28135, 28136, 28455, 28456, 28457, 28458, 28459**

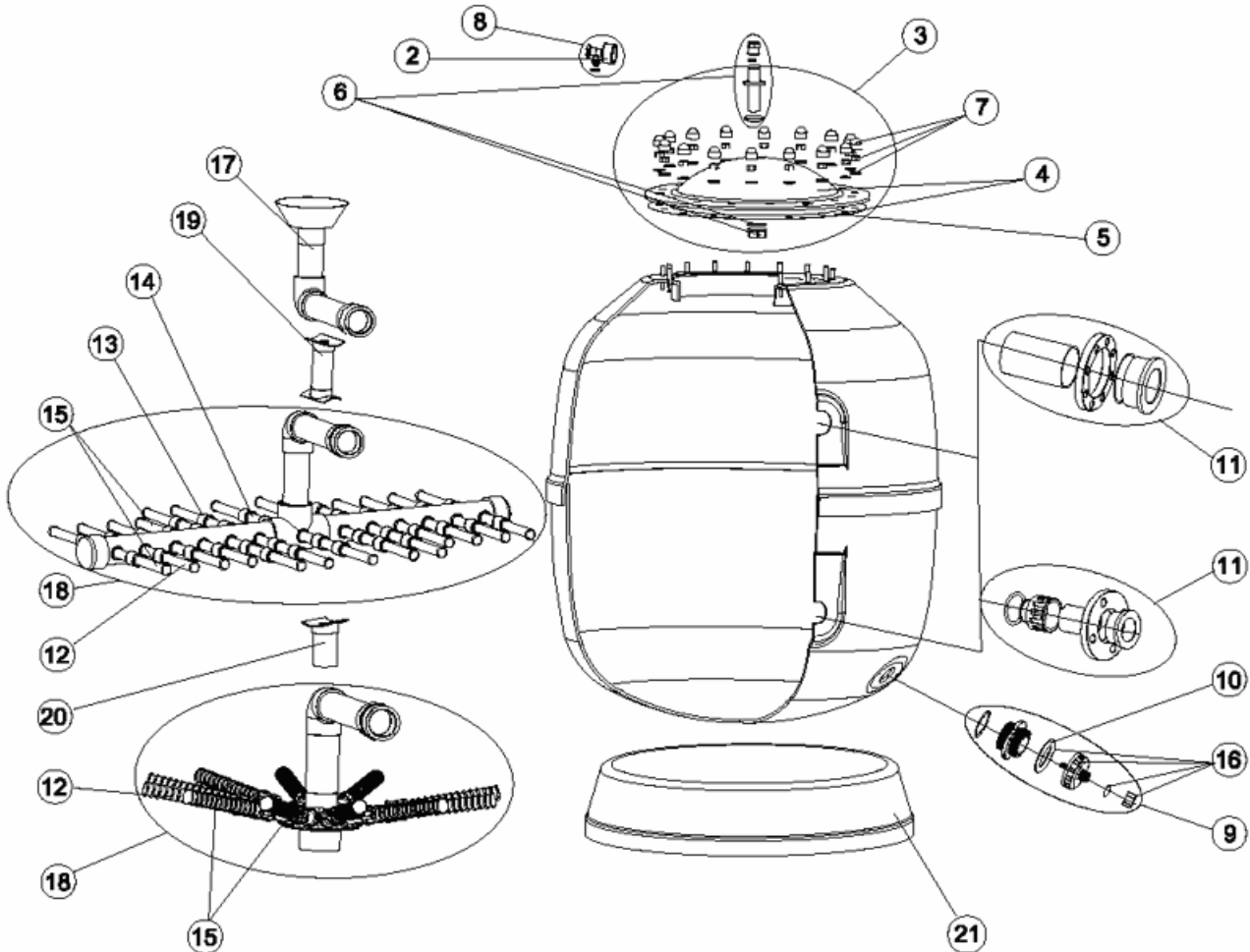
BESCHREIBUNG: **FILTER VOLCANO D. 1050 AL 2000**

**DEUTSCHE**

POS	CODE	BESCHREIBUNG	POS	CODE	BESCHREIBUNG
17	28127R0406	OBERER WASSERVERTEILER D. 110 - 1600	18	28131R0420	UNTERER WASSERVERTEILER D. 125 - 1800
17	28128R0406	RACCORDO DIFFUSORE D. 125 - 1600	18	28132R0420	UNTERER WASSERVERTEILER D. 140 - 1800
17	28129R0410	OBERER WASSERVERTEILER D.90/D.1800	18	28133R0420	UNTERER WASSERVERTEILER D. 110 - 2000
17	28130R0410	RACCORDO DIFFUSORE D. 110 - 1800	18	28134R0420	UNTERER WASSERVERTEILER D. 125 - 2000
17	28131R0410	RACCORDO DIFFUSORE D. 125 - 1800	18	28135R0420	UNTERER WASSERVERTEILER D. 140 - 2000
17	28132R0410	RACCORDO DIFFUSORE D. 140 - 1800	18	28136R0420	UNTERER WASSERVERTEILER D. 160 - 2000
17	28133R0410	RACCORDO DIFFUSORE D. 110 - 2000	19	28131R0423	ZERSTREUEN DER UNTERSTÜTZUNG 1800-90
17	28134R0410	RACCORDO DIFFUSORE D. 125 - 2000	19	28130R0423	ZERSTREUEN DER UNTERSTÜTZUNG 1800 - 110-125-140
17	28135R0410	OBERER WASSERVERTEILER D. 140 - 2000	19	28134R0423	ZERSTREUEN DER UNTERSTÜTZUNG 1000 - 110-125
17	28136R0410	OBERER WASSERVERTEILER D. 160 - 2000	19	28135R0423	ZERSTREUEN DER UNTERSTÜTZUNG 2000-140
18	28455R0420	UNTERER WASSERVERTEILER D. 63 - 1050	19	28136R0423	ZERSTREUEN DER UNTERSTÜTZUNG 2000-160
18	28456R0420	UNTERER WASSERVERTEILER D. 75 - 1050	20	28130R0422	UNTERSTÜTZUNGSKOLLEKTOR 1800 - 90-110
18	28457R0420	UNTERER WASSERVERTEILER D. 90 - 1050	20	28131R0422	UNTERSTÜTZUNGSKOLLEKTOR 1800 - 125-140
18	28458R0420	UNTERER WASSERVERTEILER D. 75 - 1200	20	28133R0422	UNTERSTÜTZUNGSKOLLEKTOR 2000-110
18	28459R0420	UNTERER WASSERVERTEILER D. 90 - 1200	20	28134R0422	UNTERSTÜTZUNGSKOLLEKTOR 2000-125
18	28123R0420	UNTERER WASSERVERTEILER D. 75 - 1400	20	28135R0422	UNTERSTÜTZUNGSKOLLEKTOR 2000-140
18	28124R0420	UNTERER WASSERVERTEILER D. 90 - 1400	20	28136R0422	UNTERSTÜTZUNGSKOLLEKTOR 2000-160
18	28125R0420	UNTERER WASSERVERTEILER D. 110 - 1400	21	20070R0150	FUSS FILTER D 1050 EUROPE
18	28126R0410	UNTERER WASSERVERTEILER D. 90 - 1600	21	20068R0150	FUSS FILTER D 1200 EUROPE
18	28127R0410	UNTERER WASSERVERTEILER D. 110 - 1600	21	21511R0150	FUSS D. 1400
18	28128R0410	UNTERER WASSERVERTEILER D. 125 - 1600	21	21514R0150	FUSS FILTER D 1600 EUROPE
18	28129R0420	UNTERER WASSERVERTEILER D. 90 - 1800	21	21517R0150	FUSS FILTER D 1800 EUROPE
18	28130R0420	UNTERER WASSERVERTEILER D. 110 - 1800	21	21521R0150	FUSS FILTER D 2000 EUROPE

CODE **28123, 28124, 28125, 28126, 28127, 28128, 28129, 28130, 28131, 28132, 28133, 28134, 28135, 28136, 28455, 28456, 28457, 28458, 28459**

DESCRIPTION: **VOLCANO FILTER D. 1050 TO 2000**



**ENGLISH**

POS	CODE	DESCRIPTION	POS	CODE	DESCRIPTION
1	4404040113	DRAIN PLUG AND GASKET	12	4404290109	"COLLECTOR ARM 1" 265 MM"
2	4404010103	"PRESSURE GAUGE 1/8" 3 KG./CM"	13	4404260418	"UNION 1"
3	4404260207	FILTER LID UNIT	14	4404260419	"MANIFOLD ARM 1" 100 MM"
4	4404260208	FILTER LID + GASKET	15	4404260401	MANIFOLD ARM ASSEMBLY D. 1050
5	4404160101	LID "O" RING	15	4404260402	MANIFOLD ARM ASSEMBLY D. 1200
6	4404260210	PRESSURE GAUGE ANCHOR	15	4404260403	MANIFOLD ARM ASSEMBLY D. 1400
7	4404260211	FILTER LID BOLTS	15	4404260404	MANIFOLD ARM ASSEMBLY D. 1600
8	4404080104	COMPLETE PRESSURE GAUGE UNIT	15	4404260406	MANIFOLD ARM ASSEMBLY D. 2000
9	4404020010	2 1/2" DRAIN SET	15	4404260405	MANIFOLD ARM ASSEMBLY D. 1800
10	4404180108	FILTER FLAT GASKET	16	4404180114	SAND PURGE 2"
11	4404260420	SET OUTLET D.63 VOLCANO	17	28455R0410	DIFFUSER ASSEMBLY D.63/D.1050
11	4404260421	SET OUTLET D.75 VOLCANO	17	28456R0410	DIFFUSER ASSEMBLY D.75/D.1050
11	4404260218	"3" OUTLET ASSEMBLY"	17	28457R0410	DIFFUSER ASSEMBLY D.90/D.1050
11	4404260412	SET OUTLET D.110 VOLCANO	17	28458R0410	DIFFUSER ASSEMBLY D.75/D.1200
11	4404260413	SET OUTLET D.125 VOLCANO	17	28459R0410	DIFFUSER ASSEMBLY D.90/D.1200
11	4404260414	SET OUTLET D.140 VOLCANO	17	28123R0410	DIFFUSER ASSEMBLY D.75/D.1400
11	4404260415	SET OUTLET D.160 VOLCANO	17	28124R0410	DIFFUSER ASSEMBLY D.90/D.1400
12	4404300916	"MANIFOLD ARM 1" 225 MM"	17	28125R0410	DIFFUSER ASSEMBLY D. 110 - 1400
12	4404300915	"MANIFOLD ARM 1" 175 MM"	17	28126R0406	DIFFUSER ASSEMBLY D.90/D.1600

CODE **28123, 28124, 28125, 28126, 28127, 28128, 28129, 28130, 28131, 28132, 28133, 28134, 28135, 28136, 28455, 28456, 28457, 28458, 28459**

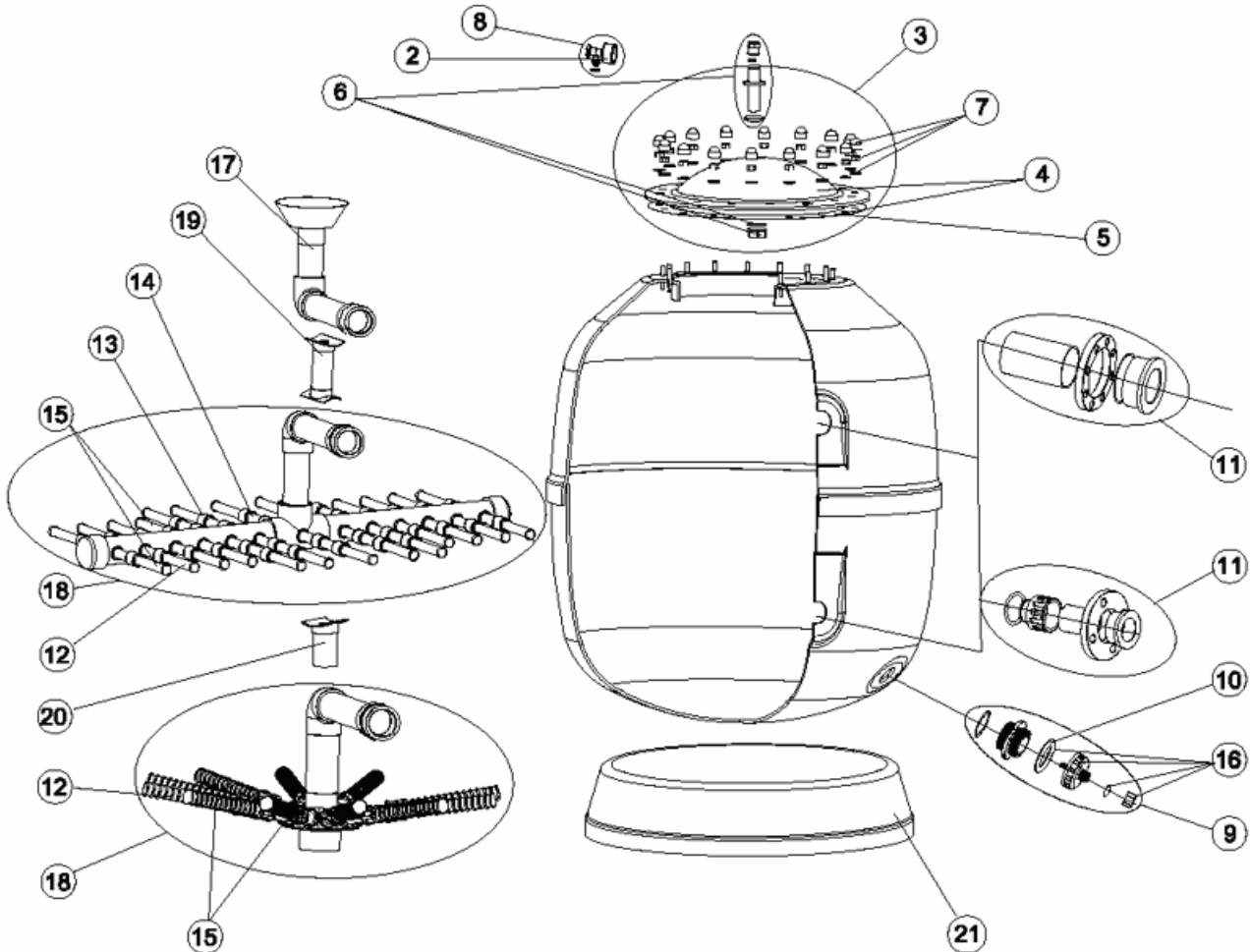
DESCRIPTION: **VOLCANO FILTER D. 1050 TO 2000**

**ENGLISH**

POS	CODE	DESCRIPTION	POS	CODE	DESCRIPTION
17	28127R0406	DIFFUSER ASSEMBLY D. 110 - 1600	18	28131R0420	COLLECTOR ASSEMBLY D.125 - 1800
17	28128R0406	DIFFUSER ASSEMBLY D. 125 - 1600	18	28132R0420	COLLECTOR ASSEMBLY D.140 - 1800
17	28129R0410	DIFFUSER ASSEMBLY D.90/D.1800	18	28133R0420	COLLECTOR ASSEMBLY D.110 - 2000
17	28130R0410	DIFFUSER ASSEMBLY D. 110 - 1800	18	28134R0420	COLLECTOR ASSEMBLY D.125 - 2000
17	28131R0410	DIFFUSER ASSEMBLY D. 125 - 1800	18	28135R0420	COLLECTOR ASSEMBLY D.140 - 2000
17	28132R0410	DIFFUSER ASSEMBLY D. 140 - 1800	18	28136R0420	COLLECTOR ASSEMBLY D.160 - 2000
17	28133R0410	DIFFUSER ASSEMBLY D. 110 - 2000	19	28131R0423	DIFFUSER SUPPORT D. 90 - 1800
17	28134R0410	DIFFUSER ASSEMBLY D. 125 - 2000	19	28130R0423	DIFFUSER SUPPORT D. 110-125-140 - 1800
17	28135R0410	DIFFUSER ASSEMBLY D. 140 - 2000	19	28134R0423	DIFFUSER SUPPORT D. 110-125 - 2000
17	28136R0410	DIFFUSER ASSEMBLY D. 160 - 2000	19	28135R0423	DIFFUSER SUPPORT D. 140 - 2000
18	28455R0420	COLLECTOR ASSEMBLY D. 63 - 1050	19	28136R0423	DIFFUSER SUPPORT D. 160 - 2000
18	28456R0420	COLLECTOR ASSEMBLY D. 75 - 1050	20	28130R0422	COLLECTOR SUPPORT D. 90-110 - 1800
18	28457R0420	COLLECTOR ASSEMBLY D. 90 - 1050	20	28131R0422	COLLECTOR SUPPORT D. 125-140 - 1800
18	28458R0420	COLLECTOR ASSEMBLY D. 75 - 1200	20	28133R0422	COLLECTOR SUPPORT D. 110 - 2000
18	28459R0420	COLLECTOR ASSEMBLY D. 90 - 1200	20	28134R0422	COLLECTOR SUPPORT D. 125 - 2000
18	28123R0420	COLLECTOR ASSEMBLY D. 75 - 1400	20	28135R0422	COLLECTOR SUPPORT D. 140 - 2000
18	28124R0420	COLLECTOR ASSEMBLY D. 90 - 1400	20	28136R0422	COLLECTOR SUPPORT D. 160 - 2000
18	28125R0420	COLLECTOR ASSEMBLY D. 110 - 1400	21	20070R0150	FILTER BASE D. 1050 EUROPE
18	28126R0410	COLLECTOR ASSEMBLY D. 90 - 1600	21	20068R0150	FILTER BASE D. 1200 EUROPE
18	28127R0410	COLLECTOR ASSEMBLY D. 110 - 1600	21	21511R0150	BASE D 1400
18	28128R0410	COLLECTOR ASSEMBLY D.125 - 1600	21	21514R0150	FILTER BASE D. 1600 EUROPE
18	28129R0420	COLLECTOR ASSEMBLY D. 90 - 1800	21	21517R0150	FILTER BASE D. 1800 EUROPE
18	28130R0420	COLLECTOR ASSEMBLY D.110 - 1800	21	21521R0150	FILTER BASE D. 2000 EUROPE

**CODIGO** 28123, 28124, 28125, 28126, 28127, 28128, 28129, 28130, 28131, 28132, 28133, 28134, 28135, 28136, 28455, 28456, 28457, 28458, 28459

**DESCRIPCION:** **FILTRO VOLCANO D. 1050 AL 2000**



**ESPAÑOL**

POS	CODIGO	DESCRIPCION	POS	CODIGO	DESCRIPCION
1	4404040113	TAPON PURGA Y JUNTA	12	4404290109	BRAZO COLECTOR 1" 265 MM
2	4404010103	MANOMETRO 1/8" 3 KG./CM	13	4404260418	MANGUITO ENLACE UNION 1"
3	4404260207	TAPA FILTRO COMPLETA	14	4404260419	BRAZO COLECTOR 1" 100 MM
4	4404260208	TAPA FILTRO + JUNTA	15	4404260401	C.JTO. BRAZOS COLECTOR D.1050
5	4404160101	JUNTA TORICA TAPA	15	4404260402	C.JTO. BRAZOS COLECTOR D.1200
6	4404260210	FIJACION MANOMETRO	15	4404260403	C.JTO. BRAZOS COLECTOR D.1400
7	4404260211	TORNILLERIA TAPA FILTRO	15	4404260404	C.JTO. BRAZOS COLECTOR D.1600
8	4404080104	MANOMETRO COMPLETO	15	4404260406	C.JTO. BRAZOS COLECTOR D.2000
9	4404020010	C.JTO. PURGAAGUA 2 1/2"	15	4404260405	C.JTO. BRAZOS COLECTOR D.1800
10	4404180108	JUNTA PLANA FILTRO	16	4404180114	PURGA ARENA 2"
11	4404260420	GRUPO SALIDA D. 63 VOLCANO	17	28455R0410	C.JTO. DIFUSOR D.63 - 1050
11	4404260421	GRUPO SALIDA D. 75 VOLCANO	17	28456R0410	C.JTO. DIFUSOR D.75 - 1050
11	4404260218	C.JTO. SALIDA 3"	17	28457R0410	C.JTO. DIFUSOR D.90 - 1050
11	4404260412	GRUPO SALIDA D. 110 VOLCANO	17	28458R0410	C.JTO. DIFUSOR D.75 - 1200
11	4404260413	GRUPO SALIDA D. 125 VOLCANO	17	28459R0410	C.JTO. DIFUSOR D.90 - 1200
11	4404260414	GRUPO SALIDA D. 140 VOLCANO	17	28123R0410	C.JTO. DIFUSOR D.75 - 1400
11	4404260415	GRUPO SALIDA D. 160 VOLCANO	17	28124R0410	C.JTO. DIFUSOR D.90 - 1400
12	4404300916	BRAZO COLECTOR 1" 225 MM	17	28125R0410	C.JTO. DIFUSOR D.110 - 1400
12	4404300915	BRAZO COLECTOR 1" 175 MM	17	28126R0406	C.JTO. DIFUSOR D.90 - 1600

**CODIGO**                   **28123, 28124, 28125, 28126, 28127, 28128, 28129, 28130, 28131, 28132, 28133, 28134, 28135, 28136, 28455, 28456, 28457, 28458, 28459**

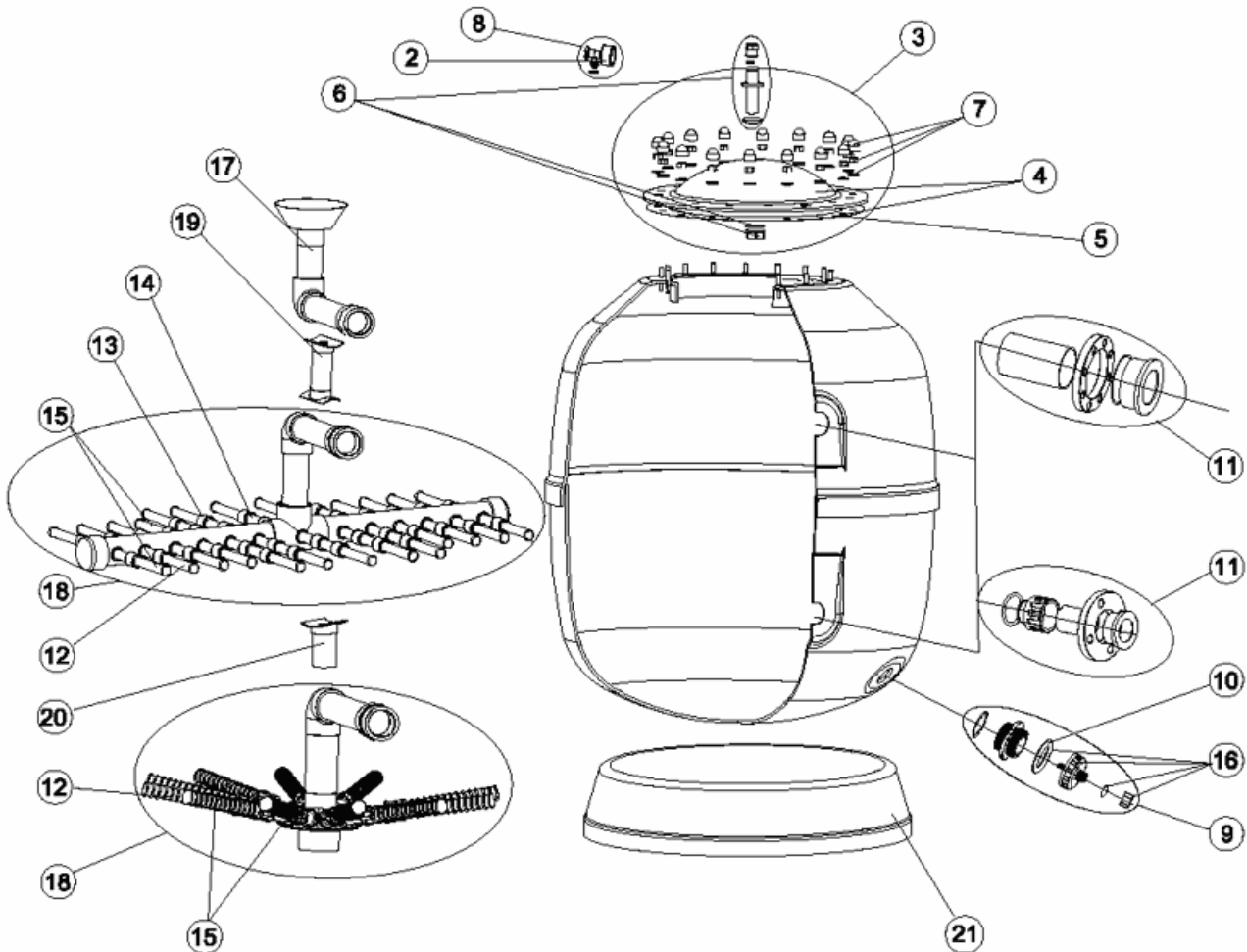
**DESCRIPCION:**                   **FILTRO VOLCANO D. 1050 AL 2000**

**ESPAÑOL**

POS	CODIGO	DESCRIPCION	POS	CODIGO	DESCRIPCION
17	28127R0406	CJTO. DIFUSOR D.110 - 1600	18	28131R0420	CJTO. COLECTOR D.125 - 1800
17	28128R0406	CJTO. DIFUSOR D.125 - 1600	18	28132R0420	CJTO. COLECTOR D.140 - 1800
17	28129R0410	CJTO. DIFUSOR D.90 - 1800	18	28133R0420	CJTO. COLECTOR D.110 - 2000
17	28130R0410	CJTO. DIFUSOR D.110 - 1800	18	28134R0420	CJTO. COLECTOR D.125 - 2000
17	28131R0410	CJTO. DIFUSOR D.125 - 1800	18	28135R0420	CJTO. COLECTOR D.140 - 2000
17	28132R0410	CJTO. DIFUSOR D.140 - 1800	18	28136R0420	CJTO. COLECTOR D.160 - 2000
17	28133R0410	CJTO. DIFUSOR D.110 - 2000	19	28131R0423	SOPORTE DIFUSOR D.90 - 1800
17	28134R0410	CJTO. DIFUSOR D.125 - 2000	19	28130R0423	SOPORTE DIFUSOR D.110-125-140 - 1800
17	28135R0410	CJTO. DIFUSOR D.140 - 2000	19	28134R0423	SOPORTE DIFUSOR D.110-125 - 2000
17	28136R0410	CJTO. DIFUSOR D.160 - 2000	19	28135R0423	SOPORTE DIFUSOR D.140 - 2000
18	28455R0420	CJTO. COLECTOR D.63 - 1050	19	28136R0423	SOPORTE DIFUSOR D.160 - 2000
18	28456R0420	CJTO. COLECTOR D.75 - 1050	20	28130R0422	SOPORTE COLECTOR D.90-110 - 1800
18	28457R0420	CJTO. COLECTOR D.90 - 1050	20	28131R0422	SOPORTE COLECTOR D.125-140 - 1800
18	28458R0420	CJTO. COLECTOR D.75 - 1200	20	28133R0422	SOPORTE COLECTOR D.110 - 2000
18	28459R0420	CJTO. COLECTOR D.90 - 1200	20	28134R0422	SOPORTE COLECTOR D.125 - 2000
18	28123R0420	CJTO. COLECTOR D.75 - 1400	20	28135R0422	SOPORTE COLECTOR D.140 - 2000
18	28124R0420	CJTO. COLECTOR D.90 - 1400	20	28136R0422	SOPORTE COLECTOR D.160 - 2000
18	28125R0420	CJTO. COLECTOR D.110 - 1400	21	20070R0150	PIE FILTRO 1050 EUROPE
18	28126R0410	CJTO. COLECTOR D.90 - 1600	21	20068R0150	PIE FILTRO 1200 EUROPE
18	28127R0410	CJTO. COLECTOR D.110 - 1600	21	21511R0150	PIE D. 1400
18	28128R0410	CJTO. COLECTOR D.125 - 1600	21	21514R0150	PIE FILTRO 1600 EUROPE
18	28129R0420	CJTO. COLECTOR D.90 - 1800	21	21517R0150	PIE FILTRO 1800 EUROPE
18	28130R0420	CJTO. COLECTOR D.110 - 1800	21	21521R0150	PIE FILTRO 2000 EUROPE

CODE **28123, 28124, 28125, 28126, 28127, 28128, 28129, 28130, 28131, 28132, 28133, 28134, 28135, 28136, 28455, 28456, 28457, 28458, 28459**

DESCRIPTION: **FILTRE VOLCANO D. 1050 À 2000**



**FRANCAIS**

POS	CODE	DESCRIPTION	POS	CODE	DESCRIPTION
1	4404040113	BOUCHON PURGE ET JOINT	12	4404290109	"BRAS DE REPARTITEUR 1" 265 M/M."
2	4404010103	"MANOMETRE 1/8" 3 KG./CM"	13	4404260418	"MANCHON UNION 1" "
3	4404260207	COUVERCLE DE FILTRE COMPLETE	14	4404260419	"BRAS DE REPARTITEUR 1" 100MM"
4	4404260208	COUVERCLE FILTRE + JOINT	15	4404260401	ENSEMBLE BRAS DE REPARTITEUR D. 1050
5	4404160101	JOINT TORIQUE COUVERCLE	15	4404260402	ENSEMBLE BRAS DE REPARTITEUR D. 1200
6	4404260210	FIXATION MANOMETRE	15	4404260403	ENSEMBLE BRAS DE REPARTITEUR D. 1400
7	4404260211	VISSERIE COUVERCLE DE FILTRE	15	4404260404	ENSEMBLE BRAS DE REPARTITEUR D. 1600
8	4404080104	MANOMETRE COMPLET	15	4404260406	ENSEMBLE BRAS DE REPARTITEUR D. 2000
9	4404020010	ENSEMBLE PURGE 2 1/2"	15	4404260405	ENSEMBLE BRAS DE REPARTITEUR D. 1800
10	4404180108	JOINT PLAT FILTRE	16	4404180114	"PURGE SABLE 2" "
11	4404260420	ENSEMBLE SORTIE D. 63 VOLCANO	17	28455R0410	ENSEMBLE DIFFUSEUR D.63/D.1050
11	4404260421	ENSEMBLE SORTIE D. 75 VOLCANO	17	28456R0410	ENSEMBLE DIFFUSEUR D.75/D.1050
11	4404260218	"ENSEMBLE SORTIE 3" "	17	28457R0410	ENSEMBLE DIFFUSEUR D.90/D.1050
11	4404260412	ENSEMBLE SORTIE D. 110 VOLCANO	17	28458R0410	ENSEMBLE DIFFUSEUR D.75/D.1200
11	4404260413	ENSEMBLE SORTIE D. 125 VOLCANO	17	28459R0410	ENSEMBLE DIFFUSEUR D.90/D.1200
11	4404260414	ENSEMBLE SORTIE D. 140 VOLCANO	17	28123R0410	ENSEMBLE DIFFUSEUR D.75/D.1400
11	4404260415	ENSEMBLE SORTIE D. 160 VOLCANO	17	28124R0410	ENSEMBLE DIFFUSEUR D.90/D.1400
12	4404300916	"BRAS DE REPARTITEUR 1" 225 MM"	17	28125R0410	ENSEMBLE DIFFUSEUR D. 110 - 1400
12	4404300915	"BRAS DE REPARTITEUR 1" 175 MM"	17	28126R0406	ENSEMBLE DIFFUSEUR D.90/D.1600

CODE **28123, 28124, 28125, 28126, 28127, 28128, 28129, 28130, 28131, 28132, 28133, 28134, 28135, 28136, 28455, 28456, 28457, 28458, 28459**

DESCRIPTION: **FILTRE VOLCANO D. 1050 À 2000**

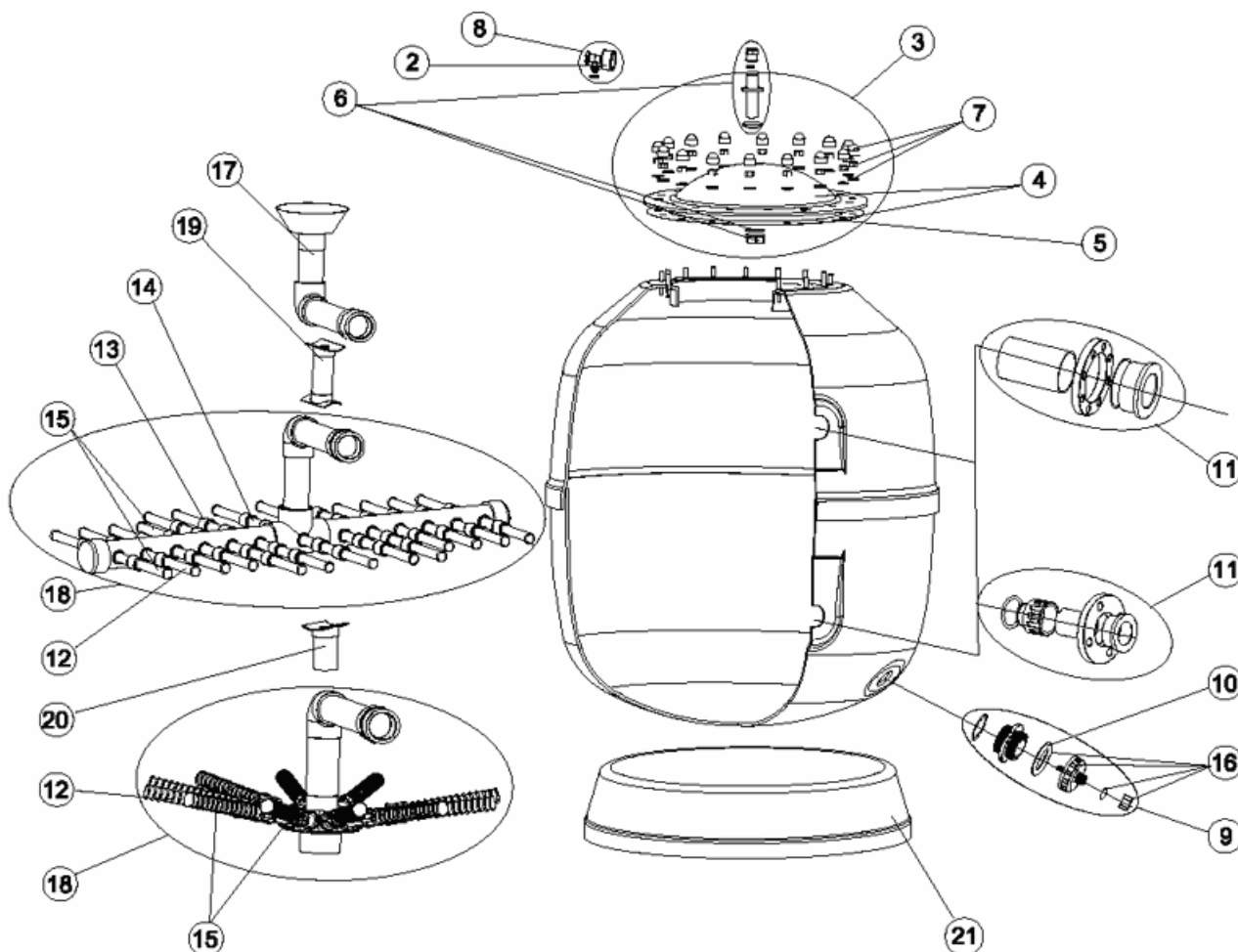
**FRANCAIS**

POS	CODE	DESCRIPTION	POS	CODE	DESCRIPTION
17	28127R0406	ENSEMBLE DIFFUSEUR D. 110 - 1600	18	28131R0420	ENSEMBLE COLLECTEUR D. 125 - 1800
17	28128R0406	ENSEMBLE DIFFUSEUR D. 125 - 1600	18	28132R0420	ENSEMBLE COLLECTEUR D. 140 - 1800
17	28129R0410	ENSEMBLE DIFFUSEUR D.90/D.1800	18	28133R0420	ENSEMBLE COLLECTEUR D. 110 - 2000
17	28130R0410	ENSEMBLE DIFFUSEUR D. 110 - 1800	18	28134R0420	ENSEMBLE COLLECTEUR D. 125 - 2000
17	28131R0410	ENSEMBLE DIFFUSEUR D. 125 - 1800	18	28135R0420	ENSEMBLE COLLECTEUR D. 140 - 2000
17	28132R0410	ENSEMBLE DIFFUSEUR D. 140 - 1800	18	28136R0420	ENSEMBLE COLLECTEUR D. 160 - 2000
17	28133R0410	ENSEMBLE DIFFUSEUR D. 110 - 2000	19	28131R0423	PROTECTION DIFFUSEUR 1800-90
17	28134R0410	ENSEMBLE DIFFUSEUR D. 125 - 2000	19	28130R0423	PROTECTION DIFFUSEUR 1800 - 110-125-140
17	28135R0410	ENSEMBLE DIFFUSEUR D. 140 - 2000	19	28134R0423	PROTECTION DIFFUSEUR 2000 - 110-125
17	28136R0410	ENSEMBLE DIFFUSEUR D. 160 - 2000	19	28135R0423	PROTECTION DIFFUSEUR 2000-140
18	28455R0420	ENSEMBLE COLLECTEUR D. 63 - 1050	19	28136R0423	PROTECTION DIFFUSEUR 2000-160
18	28456R0420	ENSEMBLE COLLECTEUR D. 75 - 1050	20	28130R0422	SUPPORT COLLECTEUR 1800 - 90-110
18	28457R0420	ENSEMBLE COLLECTEUR D. 90 - 1050	20	28131R0422	SUPPORT COLLECTEUR 2000 - 125-140
18	28458R0420	ENSEMBLE COLLECTEUR D. 75 - 1200	20	28133R0422	SUPPORT COLLECTEUR 2000-110
18	28459R0420	ENSEMBLE COLLECTEUR D. 90 - 1200	20	28134R0422	SUPPORT COLLECTEUR 2000-125
18	28123R0420	ENSEMBLE COLLECTEUR D. 75 - 1400	20	28135R0422	SUPPORT COLLECTEUR 2000-140
18	28124R0420	ENSEMBLE COLLECTEUR D. 90 - 1400	20	28136R0422	SUPPORT COLLECTEUR 2000-160
18	28125R0420	ENSEMBLE COLLECTEUR D. 110 - 1400	21	20070R0150	SOCLE FILTRE 1050 EUROPE
18	28126R0410	ENSEMBLE COLLECTEUR D. 90 - 1600	21	20068R0150	SOCLE FILTRE 1200 EUROPE
18	28127R0410	ENSEMBLE COLLECTEUR D. 110 - 1600	21	21511R0150	SOCLE FILTRE 1400 EUROPE
18	28128R0410	ENSEMBLE COLLECTEUR D. 125 - 1600	21	21514R0150	SOCLE FILTRE 1600 EUROPE
18	28129R0420	ENSEMBLE COLLECTEUR D. 90 - 1800	21	21517R0150	SOCLE FILTRE 1800 EUROPE
18	28130R0420	ENSEMBLE COLLECTEUR D. 110 - 1800	21	21521R0150	SOCLE FILTRE 2000 EUROPE



**CODICE** 28123, 28124, 28125, 28126, 28127, 28128, 28129, 28130, 28131, 28132, 28133, 28134, 28135, 28136, 28455, 28456, 28457, 28458, 28459

**DESCRIZIONE:** **FILTRO VULCANO D. 1050 AL 2000**



**ITALIANO**

POS	CODICE	DESCRIZIONE	POS	CODICE	DESCRIZIONE
1	4404040113	TAPPO SPURGO E GUARNIZIONE	12	4404290109	"CANDELOTTO 1" 265 MM."
2	4404010103	"MANOMETRO 1/8" 3 KG./CM"	13	4404260418	"MANICOTTO DA 1" PER CANDELOTTI"
3	4404260207	COPERCHIO FILTRO COMPLETO	14	4404260419	"CANDELOTTO COLLECTORE 1" 100MM"
4	4404260208	COPERCHIO FILTRO + GUARNIZIONE	15	4404260401	GRUPPO CANDELOTTO COLLECTORE D. 1050
5	4404160101	O-RING COPERCHIO	15	4404260402	GRUPPO CANDELOTTO COLLECTORE D. 1200
6	4404260210	FISSAGGIO MANOMETRO	15	4404260403	GRUPPO CANDELOTTO COLLECTORE D. 1400
7	4404260211	BULLONERIA COPERCHIO FILTRO	15	4404260404	GRUPPO CANDELOTTO COLLECTORE D. 1600
8	4404080104	MANOMETRO COMPLETO	15	4404260406	GRUPPO CANDELOTTO COLLECTORE D. 2000
9	4404020010	KIT SCARICO 2 1/2"	15	4404260405	GRUPPO CANDELOTTO COLLECTORE D. 1800
10	4404180108	GUARNIZIONE PIANA FILTRO	16	4404180114	SCARICO SABBIA 2"
11	4404260420	GRUPPO USCITA D.63 VOLCANO	17	28455R0410	RACCORDO DIFFUSORE D.63/D.1050
11	4404260421	GRUPPO USCITA D.75 VOLCANO	17	28456R0410	RACCORDO DIFFUSORE D.75/D.1050
11	4404260218	"GRUPPO USCITA 3"	17	28457R0410	RACCORDO DIFFUSORE D.90/D.1050
11	4404260412	GRUPPO USCITA D.110 VOLCANO	17	28458R0410	RACCORDO DIFFUSORE D.75/D.1200
11	4404260413	GRUPPO USCITA D.125 VOLCANO	17	28459R0410	RACCORDO DIFFUSORE D.90/D.1200
11	4404260414	GRUPPO USCITA D.140 VOLCANO	17	28123R0410	RACCORDO DIFFUSORE D.75/D.1400
11	4404260415	GRUPPO USCITA D.160 VOLCANO	17	28124R0410	RACCORDO DIFFUSORE D.90/D.1400
12	4404300916	"CANDELOTTO COLLECTORE 1" 225 MM"	17	28125R0410	RACCORDO DIFFUSORE D. 110 - 1400
12	4404300915	"CANDELOTTO COLLECTORE 1" 175 MM"	17	28126R0406	RACCORDO DIFFUSORE D.90/D.1600

**CODICE**                    **28123, 28124, 28125, 28126, 28127, 28128, 28129, 28130, 28131, 28132, 28133, 28134, 28135, 28136, 28455, 28456, 28457, 28458, 28459**

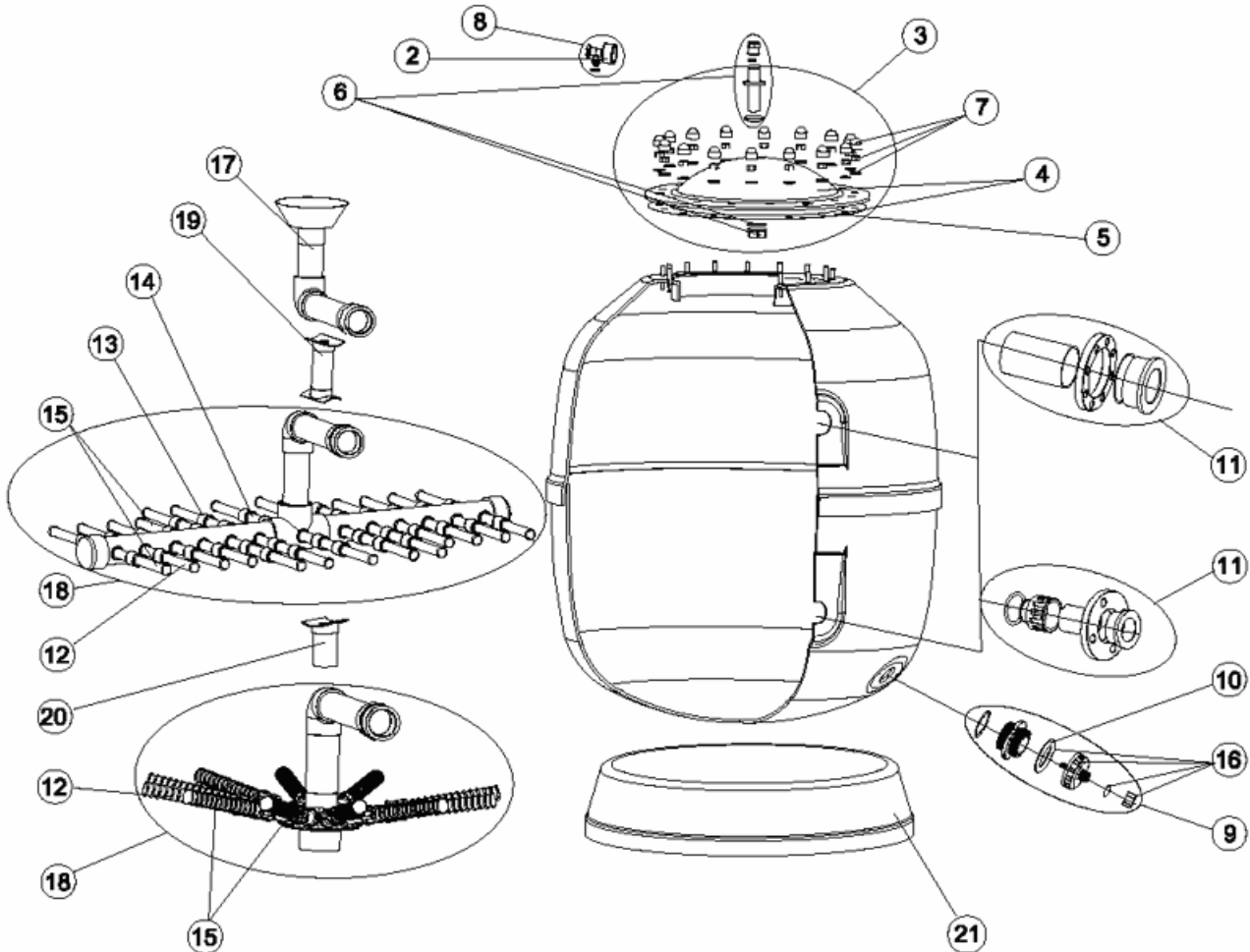
**DESCRIZIONE:**                    **FILTRO VULCANO D. 1050 AL 2000**

**ITALIANO**

POS	CODICE	DESCRIZIONE	POS	CODICE	DESCRIZIONE
17	28127R0406	RACCORDO DIFFUSORE D. 110 - 1600	18	28131R0420	KIT COLLETTORE 125 - 1800
17	28128R0406	RACCORDO DIFFUSORE D. 125 - 1600	18	28132R0420	KIT COLLETTORE 140 - 1800
17	28129R0410	RACCORDO DIFFUSORE D.90/D.1800	18	28133R0420	KIT COLLETTORE 110 - 2000
17	28130R0410	RACCORDO DIFFUSORE D. 110 - 1800	18	28134R0420	KIT COLLETTORE 125 - 2000
17	28131R0410	RACCORDO DIFFUSORE D. 125 - 1800	18	28135R0420	KIT COLLETTORE 140 - 2000
17	28132R0410	RACCORDO DIFFUSORE D. 140 - 1800	18	28136R0420	KIT COLLETTORE 160 - 2000
17	28133R0410	RACCORDO DIFFUSORE D. 110 - 2000	19	28131R0423	SUPPORTO DIFFUSORE FILTRO D. 90 - 1800
17	28134R0410	RACCORDO DIFFUSORE D. 125 - 2000	19	28130R0423	SUPPORTO DIFFUSORE FILTRO D. 110-125-140 - 1800
17	28135R0410	RACCORDO DIFFUSORE D. 140 - 2000	19	28134R0423	SUPPORTO DIFFUSORE FILTRO D. 110-125 - 2000
17	28136R0410	RACCORDO DIFFUSORE D. 160 - 2000	19	28135R0423	SUPPORTO DIFFUSORE FILTRO D. 140 - 2000
18	28455R0420	KIT COLLETTORE D. 63 - 1050	19	28136R0423	SUPPORTO DIFFUSORE FILTRO D. 160 - 2000
18	28456R0420	KIT COLLETTORE D. 75 - 1050	20	28130R0422	SUPPORTO COLLETTORE D. 90-110 - 2000
18	28457R0420	KIT COLLETTORE D. 90 - 1050	20	28131R0422	SUPPORTO COLLETTORE D. 125-140 - 1800
18	28458R0420	KIT COLLETTORE D. 75 - 1200	20	28133R0422	SUPPORTO COLLETTORE D. 110 - 2000
18	28459R0420	KIT COLLETTORE D. 90 - 1200	20	28134R0422	SUPPORTO COLLETTORE D. 125 - 2000
18	28123R0420	KIT COLLETTORE D. 75 - 1400	20	28135R0422	SUPPORTO COLLETTORE D. 140 - 2000
18	28124R0420	KIT COLLETTORE D. 90 - 1400	20	28136R0422	SUPPORTO COLLETTORE D. 160 - 2000
18	28125R0420	KIT COLLETTORE D. 110 - 1400	21	20070R0150	BASE FILTRO D 1050 EUROPE
18	28126R0410	KIT COLLETTORE D. 90 - 1600	21	20068R0150	BASE FILTRO D 1200 EUROPE
18	28127R0410	KIT COLLETTORE D. 110 - 1600	21	21511R0150	BASE D. 1400
18	28128R0410	KIT COLLETTORE 125 - 1600	21	21514R0150	BASE FILTRO D 1600 EUROPE
18	28129R0420	KIT COLLETTORE D. 90 - 1800	21	21517R0150	BASE FILTRO D 1800 EUROPE
18	28130R0420	KIT COLLETTORE 110 - 1800	21	21521R0150	BASE FILTRO D 2000 EUROPE

**CODIGO** 28123, 28124, 28125, 28126, 28127, 28128, 28129, 28130, 28131, 28132, 28133, 28134, 28135, 28136, 28455, 28456, 28457, 28458, 28459

**DESCRIÇÃO:** **FILTRO VOLCANO D. 1050 A 2000**



**PORTUGUES**

POS	CODIGO	DESCRIÇÃO	POS	CODIGO	DESCRIÇÃO
1	4404040113	TAMPÃO PURGA E JUNTA	12	4404290109	"BRAÇO COLECTOR 1" 265 M.M."
2	4404010103	"MANÓMETRO 1/8" 3 KG./CM"	13	4404260418	"RACCORD UNIÃO 1"
3	4404260207	TAMPA FILTRO COMPLETO	14	4404260419	"BRAÇO COLECTOR 1" 100MM"
4	4404260208	TAMPA FILTRO + JUNTA	15	4404260401	C.JTO. BRAÇO COLECTOR D.1050
5	4404160101	JUNTA TÓRICA TAMPA	15	4404260402	C.JTO. BRAÇO COLECTOR D.1200
6	4404260210	FIXAÇÃO MANÓMETRO	15	4404260403	C.JTO. BRAÇO COLECTOR D.1400
7	4404260211	PARAFUSOS TAMPA FILTRO	15	4404260404	C.JTO. BRAÇO COLECTOR D.1600
8	4404080104	MANÓMETRO COMPLETO	15	4404260406	C.JTO. BRAÇO COLECTOR D.2000
9	4404020010	CONJUNTO PURDA AREIA 2 1/2"	15	4404260405	C.JTO. BRAÇO COLECTOR D.1800
10	4404180108	JUNTA PLANA FILTRO	16	4404180114	PURGA AREIA 2"
11	4404260420	RACORD DE SAÍDA D.63 VOLCANO	17	28455R0410	DIFUSOR D.63/D.1050
11	4404260421	RACORD DE SAÍDA D.75 VOLCANO	17	28456R0410	DIFUSOR D.75/D.1050
11	4404260218	"CONJUNTO SAÍDA 3"	17	28457R0410	DIFUSOR D./D.1050
11	4404260412	RACORD DE SAÍDA D.110 VOLCANO	17	28458R0410	DIFUSOR D.75/D.1200
11	4404260413	RACORD DE SAÍDA D.125 VOLCANO	17	28459R0410	DIFUSOR D./D.1200
11	4404260414	RACORD DE SAÍDA D.140 VOLCANO	17	28123R0410	DIFUSOR D.75/D.1400
11	4404260415	RACORD DE SAÍDA D.160 VOLCANO	17	28124R0410	DIFUSOR D./D.1400
12	4404300916	"BRAÇO COLECTOR 1" 225 MM"	17	28125R0410	DIFUSOR D. 110 - 1400
12	4404300915	"BRAÇO COLECTOR 1" 175 MM"	17	28126R0406	DIFUSOR D./D.1600

**CODIGO**            **28123, 28124, 28125, 28126, 28127, 28128, 28129, 28130, 28131, 28132, 28133, 28134, 28135, 28136, 28455, 28456, 28457, 28458, 28459**

**DESCRIÇÃO:**                                **FILTRO VOLCANO D. 1050 A 2000**

**PORTUGUES**

POS	CODIGO	DESCRIÇÃO	POS	CODIGO	DESCRIÇÃO
17	28127R0406	DIFUSOR D. 110 - 1600	18	28131R0420	CJTO. COLECTOR D.125 - 1800
17	28128R0406	DIFUSOR D. 125 - 1600	18	28132R0420	CJTO. COLECTOR D.140 - 1800
17	28129R0410	DIFUSOR D./D.1800	18	28133R0420	CJTO. COLECTOR D.110 - 2000
17	28130R0410	DIFUSOR D. 110 - 1800	18	28134R0420	CJTO. COLECTOR D.125 - 2000
17	28131R0410	DIFUSOR D. 125 - 1800	18	28135R0420	CJTO. COLECTOR D.140 - 2000
17	28132R0410	DIFUSOR D. 140 - 1800	18	28136R0420	CJTO. COLECTOR D.160 - 2000
17	28133R0410	DIFUSOR D. 110 - 2000	19	28131R0423	SUPORTE DIFUSOR D. 90 - 1800
17	28134R0410	DIFUSOR D. 125 - 2000	19	28130R0423	SUPORTE DIFUSOR D. 110-125-140 - 1800
17	28135R0410	DIFUSOR D. 140 - 2000	19	28134R0423	SUPORTE DIFUSOR D. 110-125 - 2000
17	28136R0410	DIFUSOR D. 160 - 2000	19	28135R0423	SUPORTE DIFUSOR D. 140 - 2000
18	28455R0420	CJTO. COLECTOR D. 63 - 1050	19	28136R0423	SUPORTE DIFUSOR D. 160 - 2000
18	28456R0420	CJTO. COLECTOR D. 75 - 1050	20	28130R0422	SUPORTE COLECTOR D. 90-110 - 1800
18	28457R0420	CJTO. COLECTOR D. 90 - 1050	20	28131R0422	SUPORTE COLECTOR D. 125-140 - 1800
18	28458R0420	CJTO. COLECTOR D. 75 - 1200	20	28133R0422	SUPORTE COLECTOR D. 110 - 2000
18	28459R0420	CJTO. COLECTOR D. 90 - 1200	20	28134R0422	SUPORTE COLECTOR D. 125 - 2000
18	28123R0420	CJTO. COLECTOR D. 75 - 1400	20	28135R0422	SUPORTE COLECTOR D. 140 - 2000
18	28124R0420	CJTO. COLECTOR D. 90 - 1400	20	28136R0422	SUPORTE COLECTOR D. 160 - 2000
18	28125R0420	CONJ. COLECTOR D. 110 - 1400	21	20070R0150	PÉ FILTRO D 1050 EUROPE
18	28126R0410	CJTO. COLECTOR D. 90 - 1600	21	20068R0150	PÉ FILTRO D 1200 EUROPE
18	28127R0410	CONJ. COLECTOR D. 110 - 1600	21	21511R0150	PÉ D. 1400
18	28128R0410	CJTO. COLECTOR D.125 - 1600	21	21514R0150	PÉ FILTRO D 1400 EUROPE
18	28129R0420	CJTO. COLECTOR D. 90 - 1800	21	21517R0150	PÉ FILTRO D 1800 EUROPE
18	28130R0420	CJTO. COLECTOR D.110 - 1800	21	21521R0150	PÉ FILTRO D 2000 EUROPE