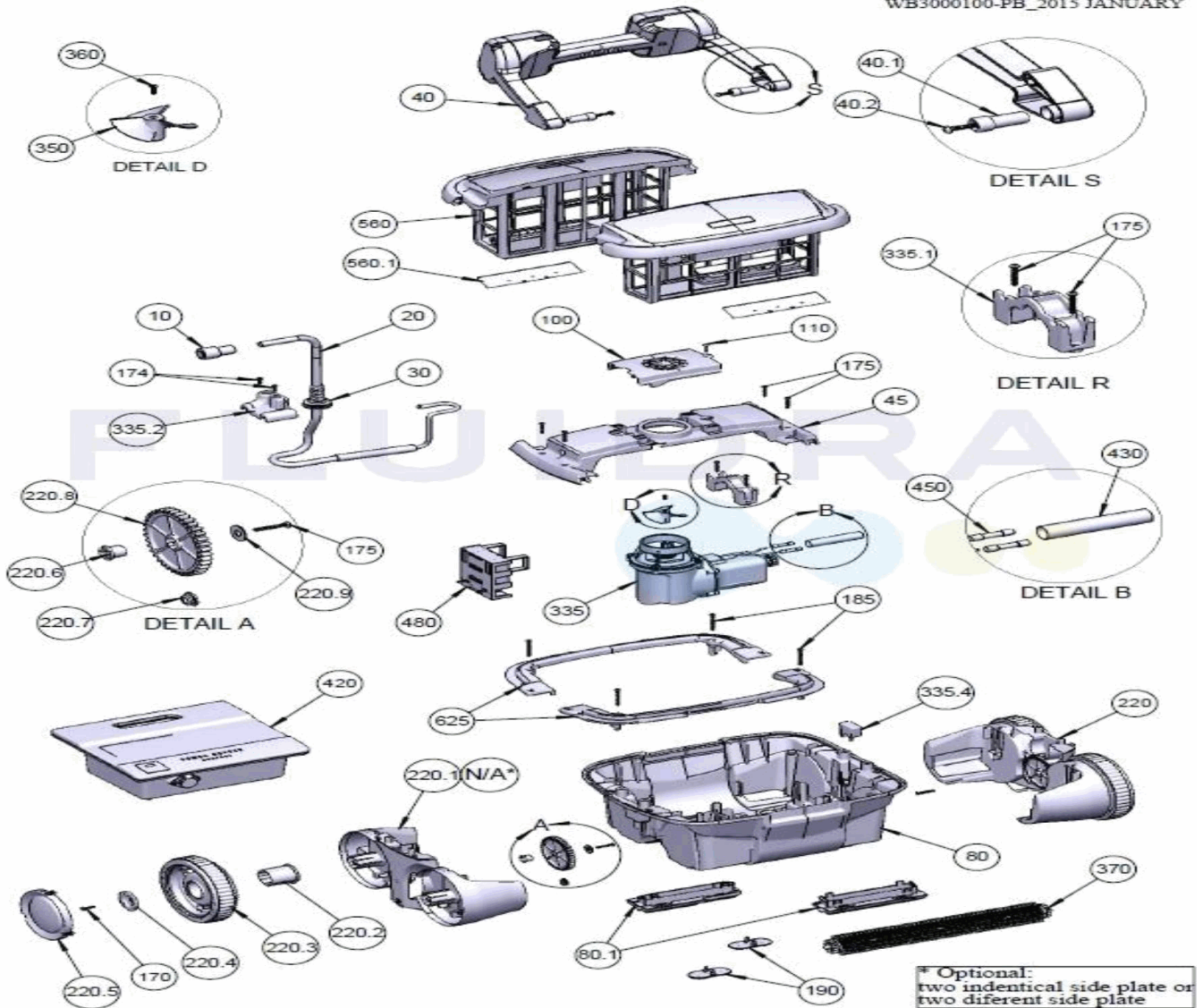


CODIGO **66666**

DESCRIPCION: **LIMPIAFONDOS R3**

**REFL-SOF0-AR313 (2016)**

WB3000100-PB\_2015 JANUARY



\* Optional:  
two identical side plate or  
two diferent side plate

**ESPAÑOL**

POS	CODIGO	DESCRIPCION	POS	CODIGO	DESCRIPCION
10	PL00002M	ENCHUFE 4 TERMINALES	185	HW0006000	TORNILLO PT WN 1412
20	WA00325CGLA	CABLE FLOTADOR CG/16M/2C/EL-SW	190	PP0039600	VALVULA DE CAUCHO
30	PP00589BK	PASACABLES CABLE 16 AWG	220	AS2802600	TAPA LATERAL 4
40	AS2803107	CJTO. ASA	220.2	PP0038200	CASQUILLO RUEDA SOPHIA
40.1	PP0038700	EJE MANGO	220.3	SA0016417	RUEDA CON TAPA + PVA
40.2	HW0006100	TORNILLO PT WN 1412	220.4	PP0042100	RUEDA TRACCION
45	PP00365GY	CARCASA SUPERIOR	220.5	PP00386BL	TAPON RUEDA
80	PP00362GY	CARCASA INFERIOR	220.6	PP0042000	COJINETE RUEDA CENTRAL DENTADA
80.1	SA0016901	CJTO. ENTRADA	220.7	PP0037400	RODAMIENTO PARA SOPHIA
100	PP00369GY	REJILLA SUPERIOR	220.8	PP0039000	RUEDA CENTRAL DENTADA
110	5061	TORNILLO DE TAPA SUPERIOR	220.9	HW0006600	ARANDELA PLANA 5/16N
170	2700	TORNILLO 8X11/16 PHIL PN	335	AS2801620-SP	CJTO. MOTOR MAX 3 (2013)
174	HW0005800	TORNILLO EJOT PT KA 40X14 WN1412	335.1	PP0037900	SOPORTE MOTOR
175	HW0005100	TORNILLO PT KA 40X25	335.2	PP0038000	SUJECION CABLE

**CODIGO 66666**

**DESCRIPCION: LIMPIAFONDOS R3**

**REFL-SOF0-AR313 (2016)**

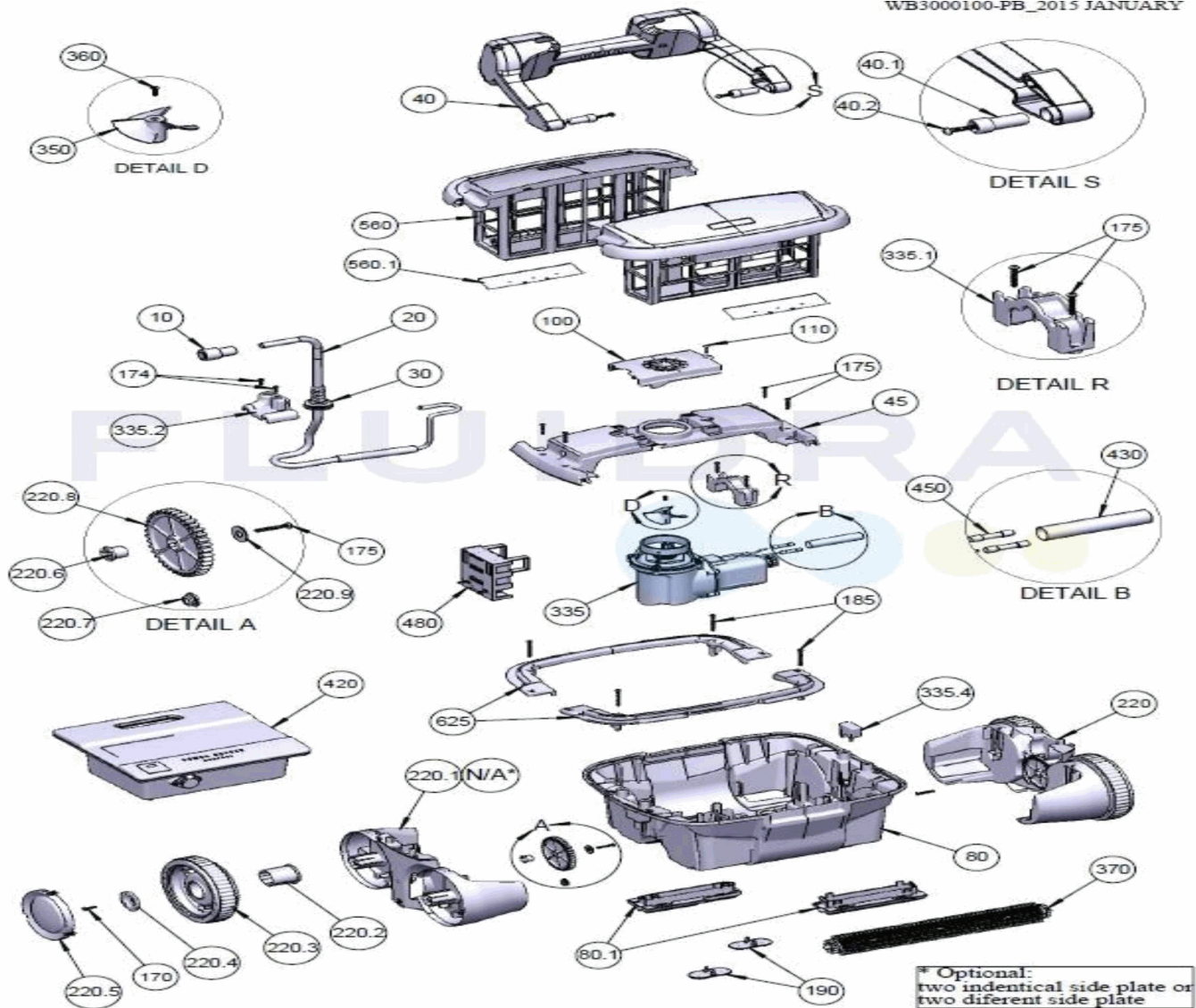
335,4	PP0037600	JUNTA RUEDA DENTADA SOPHIA	450	5473	CONECTOR RETRÁCTIL ROJO
350	P00038	HELICE	480	AS8007000-SP	CJTO. FLOTACION
360	SW00069	TORNILLO PARA HELICE	560	AS2802323	CONJUNTO FILTRO
370	AS2802420	CJTO. CEPILLO	560,1	PP003811V	TAPETA FILTRO CARCASA
420	AS2722402-SP	TRANSFORMADOR BASICO 180W GRIS	625	PP00364GY	MARCO SUPERIOR
430	AS110011010	TUBO RETRACTIL 16/4 WCSM	not shown	XW3000100	MASILLA ESTANQUEIDAD

CODE 66666

DESCRIPTION: NETTOYEUR DE FOND R3

REFL-SOF0-AR313 (2016)

WB3000100-PB\_2015 JANUARY



FRANCAIS

POS	CODE	DESCRIPTION	POS	CODE	DESCRIPTION
10	PL00002M	PRISE À 4 FICHES	185	HW0006000	VIS PT WN 1412
20	WA00325CGLA	CÂBLE FLOTTANT CG/16M/2C/EL-SW	190	PP0039600	SOUPAPE EN CAOUTCHOUC
30	PP00589BK	FOURREAU CÂBLE 16 AWG	220	AS2802600	COUVERCLE LATÉRAL 4
40	AS2803107	ENS. POIGNÉE	220.2	PP0038200	BAGUE ROUE SOPHIA
40.1	PP0038700	AXE MANCHE	220.3	SA0016417	ROUE AVEC COUVERCLE + PVA
40.2	HW0006100	VIS PT WN 1412	220.4	PP0042100	ROUE TRACTION
45	PP00365GY	CARCASSE SUPÉRIEURE	220.5	PP00386BL	BOUCHON ROUE
80	PP00362GY	CARCASSE INFÉRIEURE	220.6	PP0042000	COUSSINET ROUE CENTRALE DENTÉE
80.1	SA0016901	ENS. ENTRÉE	220.7	PP0037400	ROULEMENT POUR SOPHIA
100	PP00369GY	SORTIE SUPÉRIEURE	220.8	PP0039000	ROUE CENTRALE DENTÉE
110	5061	VIS 6-32X5/8 S/S PH PA	220.9	HW0006600	RONDELLE PLATE 5/16N
170	2700	VIS 8X11/16 PHIL PN	335	AS2801620-SP	ENS. MOTEUR MAX 3 (2013)
174	HW0005800	VIS EJOT PT KA 40X14 WN1412	335.1	PP0037900	SUPPORT MOTEUR
175	HW0005100	VIS PT KA 40X25	335.2	PP0038000	FIXATION CÂBLE

CODE **66666**

DESCRIPTION: **NETTOYEUR DE FOND R3**

**REFL-SOF0-AR313 (2016)**

335,4	PP0037600	JOINT ROUE DENTÉE SOPHIA	450	5473	CONNECTEUR BOUT À BOUT
350	P00038	HÉLICE	480	AS8007000-SP	ENS. FLOTTAISON
360	SW00069	VIS M-3X10 PHIL DIN-965	560	AS2802323	ENSEMBLE FILTRE
370	AS2802420	ENS. BROSSE	560,1	PP003811V	VOLET FILTRE CARCASSE
420	AS2722402-SP	TRANSFORMATEUR BASIQUE 180W GRIS	625	PP00364GY	CADRE SUPÉRIEUR
430	AS110011010	TUYAU RÉTRACTILE 16/4 WCSM	not shown	XW3000100	MASTIC ÉTANCHÉITÉ

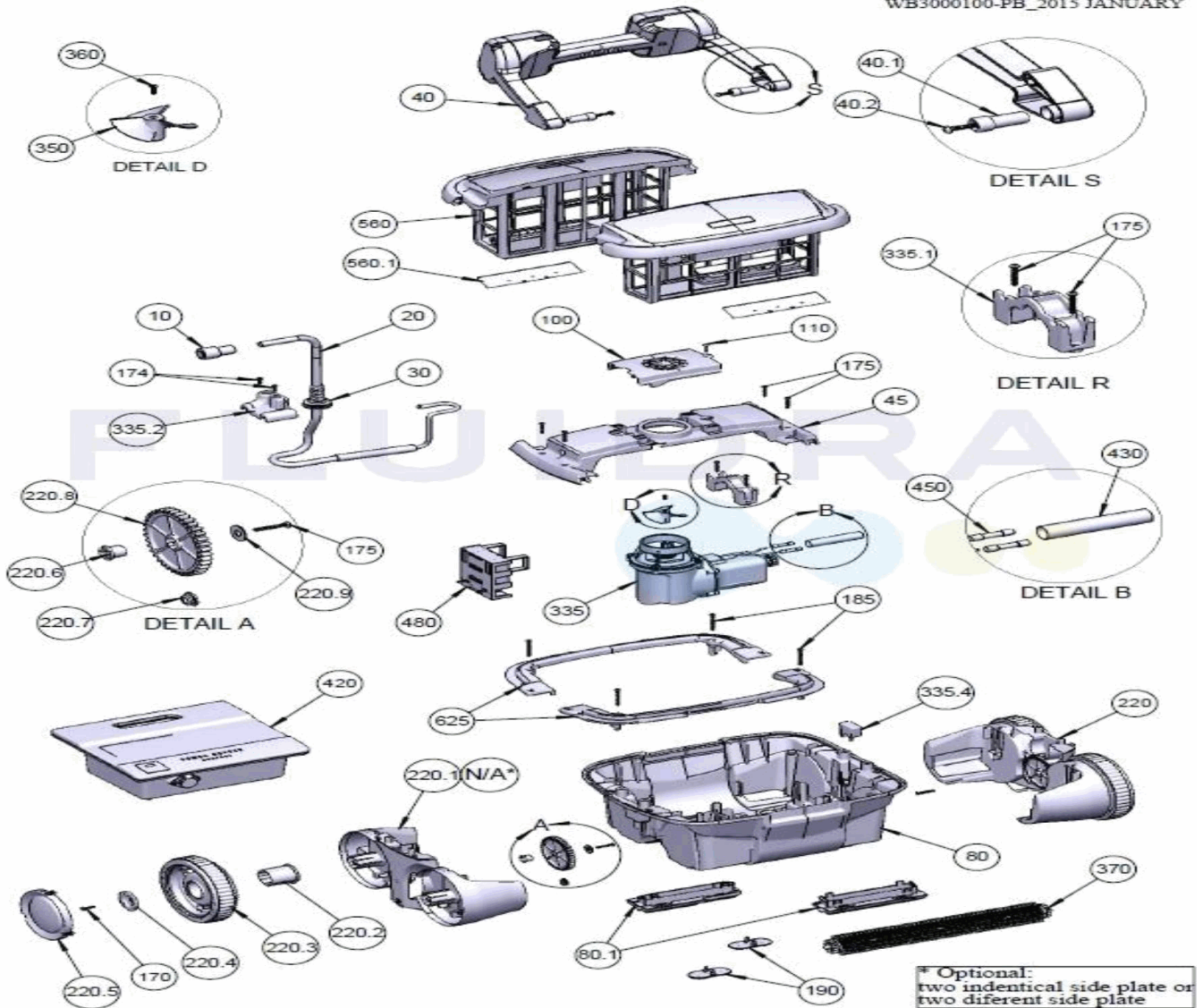


CODE **66666**

DESCRIPTION: **POOL CLEANER R3**

**REFL-SOF0-AR313 (2016)**

WB3000100-PB\_2015 JANUARY



**ENGLISH**

POS	CODE	DESCRIPTION	POS	CODE	DESCRIPTION
10	PL00002M	4 PIN PLUG	185	HW0006000	SCREW EJOT PT WN 1412
20	WA00325CGLA	FLOAT CABLE CG/16M/2C/EL-SW	190	PP0039600	RUBBER VALVE
30	PP00589BK	GROMMET 16 AWG	220	AS2802600	SIDE PLATE ASSY WITH 4
40	AS2803107	HANDLE ASSY	220.2	PP0038200	WHEEL BEARING SOPHIA
40.1	PP0038700	MAIN HANDLE AXIS	220.3	SA0016417	WHEEL WITH COVER + PVA
40.2	HW0006100	SCREW EJOT PT WN 1412	220.4	PP0042100	WHEEL WASHER FOR SOPHIA
45	PP00365GY	TOP BRIDGE	220.5	PP00386BL	WHEEL TASS
80	PP00362GY	BOTTOM HOUSING	220.6	PP0042000	CENTER COGWHEEL BEARING
80.1	SA0016901	INTAKE ASSY	220.7	PP0037400	BEARING FOR SOPHIA
100	PP00369GY	OUTLET TOP	220.8	PP0039000	CENTRAL COGWHEEL
110	5061	SCREW 6-32X5/8 S/S PH PA	220.9	HW0006600	5/16N FLAT WASHER
170	2700	SCREW 8X11/16 PHIL PN	335	AS2801620-SP	MOTOR ASSY MAX 3 (2013)
174	HW0005800	SCREW EJOT PT KA 40X14 WN1412	335.1	PP0037900	MOTOR CLAMP
175	HW0005100	SCREW EJOT PT KA 40X25	335.2	PP0038000	CABLE RETAINER SOPHIA

\* Optional:  
two identical side plate or  
two diferent side plate

CODE **66666**

DESCRIPTION: **POOL CLEANER R3**

**REFL-SOF0-AR313 (2016)**

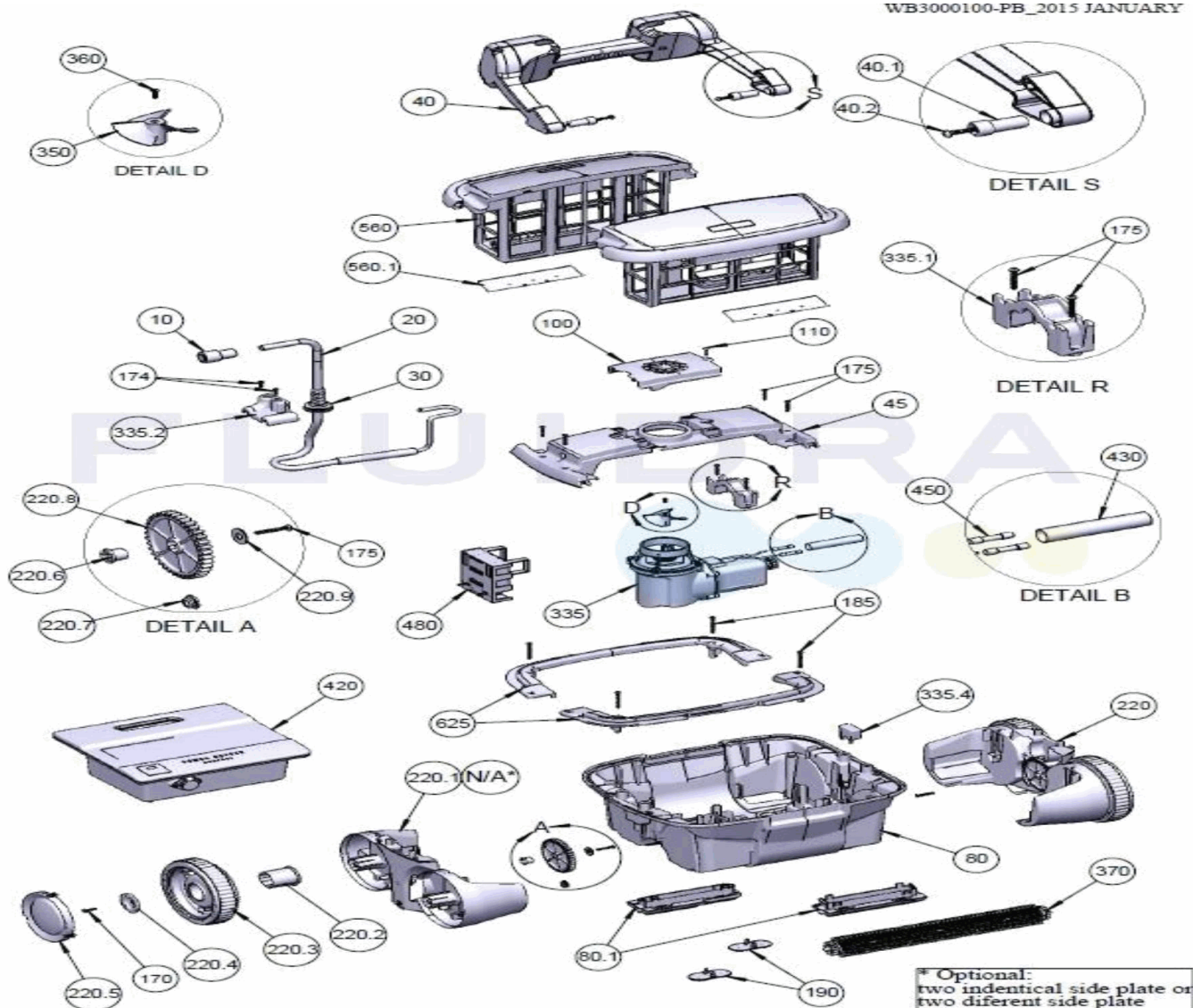
335,4	PP0037600	COGWHEEL GASKET SOPHIA	450	5473	BUTT CONNECTOR
350	P00038	PROPELLER	480	AS8007000-SP	KIT FOR FLOATIAN CELL
360	SW00069	SCRERW M-3X10 PHIL DIN-965	560	AS2802323	FILTER ASSY
370	AS2802420	TUBE BRUSH ASSY.	560,1	PP00381IV	BOTTOM HOUSING VALVE
420	AS2722402-SP	SPS BASIC 180W GREY	625	PP00364GY	TOP FRAME
430	AS110011010	SHRINK TUBE 16/4 WCSM	not shown	XW3000100	SEALANT MASTIC

CODICE **66666**

DESCRIZIONE: **PULISCIFONDI R3**

**REFL-SOF0-AR313 (2016)**

WB3000100-PB\_2015 JANUARY



**ITALIANO**

POS	CODICE	DESCRIZIONE	POS	CODICE	DESCRIZIONE
10	PL00002M	PRESA A QUATTRO SPINE	185	HW0006000	VITE PT WN 1412
20	WA00325CGLA	CAVO GALLEGGIANTE CG/16M/2C/EL-SW	190	PP0039600	VALVOLA IN GOMMA
30	PP00589BK	PASSACAVI CAVO 16 AWG	220	AS2802600	COPERCHIO LATERALE 4
40	AS2803107	INSIEME MANIGLIA	220.2	PP0038200	BOCCOLA RUOTA SOPHIA
40.1	PP0038700	ASSE MANICO	220.3	SA0016417	RUOTA CON COPERCHIO + PVA
40.2	HW0006100	VITE PT WN 1412	220.4	PP0042100	RUOTA TRAZIONE
45	PP00365GY	CARCASSA SUPERIORE	220.5	PP00386BL	TAPPO RUOTA
80	PP00362GY	CARCASSA INFERIORE	220.6	PP0042000	CUSCINETTO RUOTA CENTRALE DENTATA
80.1	SA0016901	INSIEME ENTRATA	220.7	PP0037400	CUSCINETTO PER SOPHIA
100	PP00369GY	SORTIE SUPÉRIEURE	220.8	PP0039000	RUOTA CENTRALE DENTATA
110	5061	VITE 6-32X5/8 S/S PH PA	220.9	HW0006600	RONDELLA PIANA 5/16N
170	2700	VITE 8X11/16 PHIL PN	335	AS2801620-SP	KIT MOTORE MAX 3 (2013)
174	HW0005800	VITE EJOT PT KA 40X14 WN1412	335.1	PP0037900	SUPPORTO MOTORE
175	HW0005100	VITE PT KA 40X25	335.2	PP0038000	ATTACCO CAVO

CODICE **66666**

DESCRIZIONE: **PULISCIFONDI R3**

**REFL-SOF0-AR313 (2016)**

335,4	PP0037600	GIUNTA RUOTA DENTATA SOPHIA	450	5473	CONNETTORI ISOLATI DI ESTREMITÀ
350	P00038	ELICA	480	AS8007000-SP	KIT GALLEGGIANTE
360	SW00069	VITE M-3X10 PHIL DIN-965	560	AS2802323	INSIEME FILTRO
370	AS2802420	INSIEME SPAZZOLA	560,1	PP003811V	CAPPUCCIO FILTRO CARCASSA
420	AS2722402-SP	TRASFORMATORE BASICO 180 W. GRIGIO	625	PP00364GY	MANICO SUPERIORE
430	AS110011010	TUBO RETRACTIL 16/4 WCSM	not shown	XW3000100	STUCCO TENUTA STAGNA

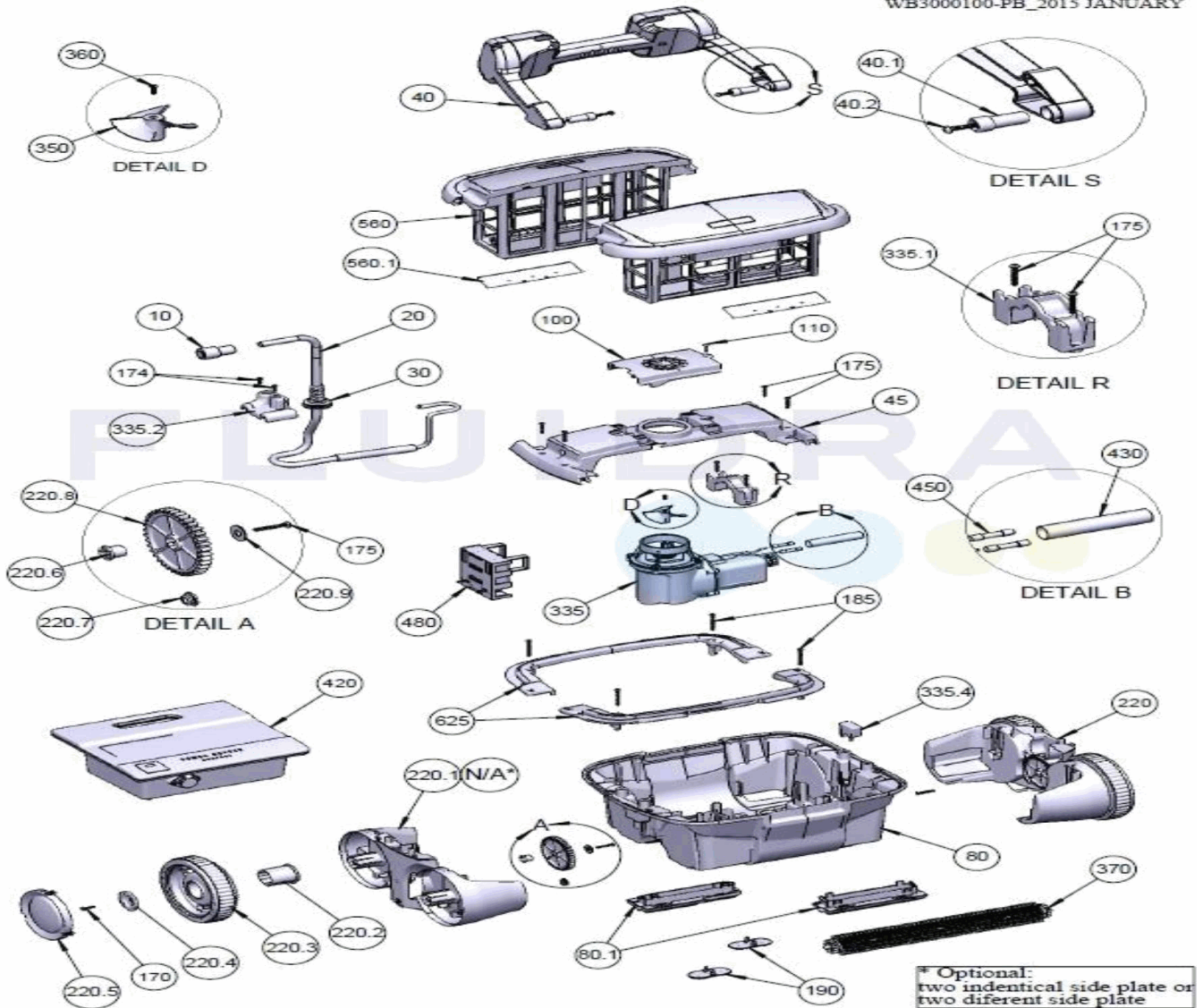


CODE **66666**

BESCHREIBUNG: **BODENREINIGER R3**

**REFL-SOF0-AR313 (2016)**

WB3000100-PB\_2015 JANUARY



\* Optional:  
two identical side plate or  
two different side plate

**DEUTSCH**

POS	CODE	BESCHREIBUNG	POS	CODE	BESCHREIBUNG
10	PL00002M	4-PIN-STECKER	185	HW0006000	SCHRAUBE PT WN 1412
20	WA00325CGLA	SCHWIMMENDES KABEL CG/16M/2C/EL-SW	190	PP0039600	GUMMIVENTIL
30	PP00589BK	KABELDURCHGANG KABEL 16 AWG	220	AS2802600	SEITENDECKEL 4
40	AS2803107	SET GRIFF	220.2	PP0038200	BUCHSE RAD SOPHIA
40.1	PP0038700	ACHSE GRIFF	220.3	SA0016417	RAD MIT DECKEL + PVA
40.2	HW0006100	SCHRAUBE PT WN 1412	220.4	PP0042100	TRAKTION-RAD
45	PP00365GY	OBERES GEHÄUSE	220.5	PP00386BL	PFROPFEN RAD
80	PP00362GY	INNERES GEHÄUSE	220.6	PP0042000	LAGER MITTLERES ZAHNRAD
80.1	SA0016901	SET EINGANG	220.7	PP0037400	LAGER FÜR SOPHIA
100	PP00369GY	OBERER ABZUG	220.8	PP0039000	MITTLERES ZAHNRAD
110	5061	SCHRAUBE 6-32X5/8 S/S PH PA	220.9	HW0006600	FLACHE UNTERLEGSCHIEBE 5/16N
170	2700	SCHRAUBE 8X11/16 PHIL PN	335	AS2801620-SP	SET MOTOR MAX 3 (2013)
174	HW0005800	SCHRAUBE EJOT PT KA 40X14 WN1412	335.1	PP0037900	HALTERUNG MOTOR
175	HW0005100	SCHRAUBE PT KA 40X25	335.2	PP0038000	BEFESTIGUNG KABEL

CODE **66666**

BESCHREIBUNG: **BODENREINIGER R3**

**REFL-SOF0-AR313 (2016)**

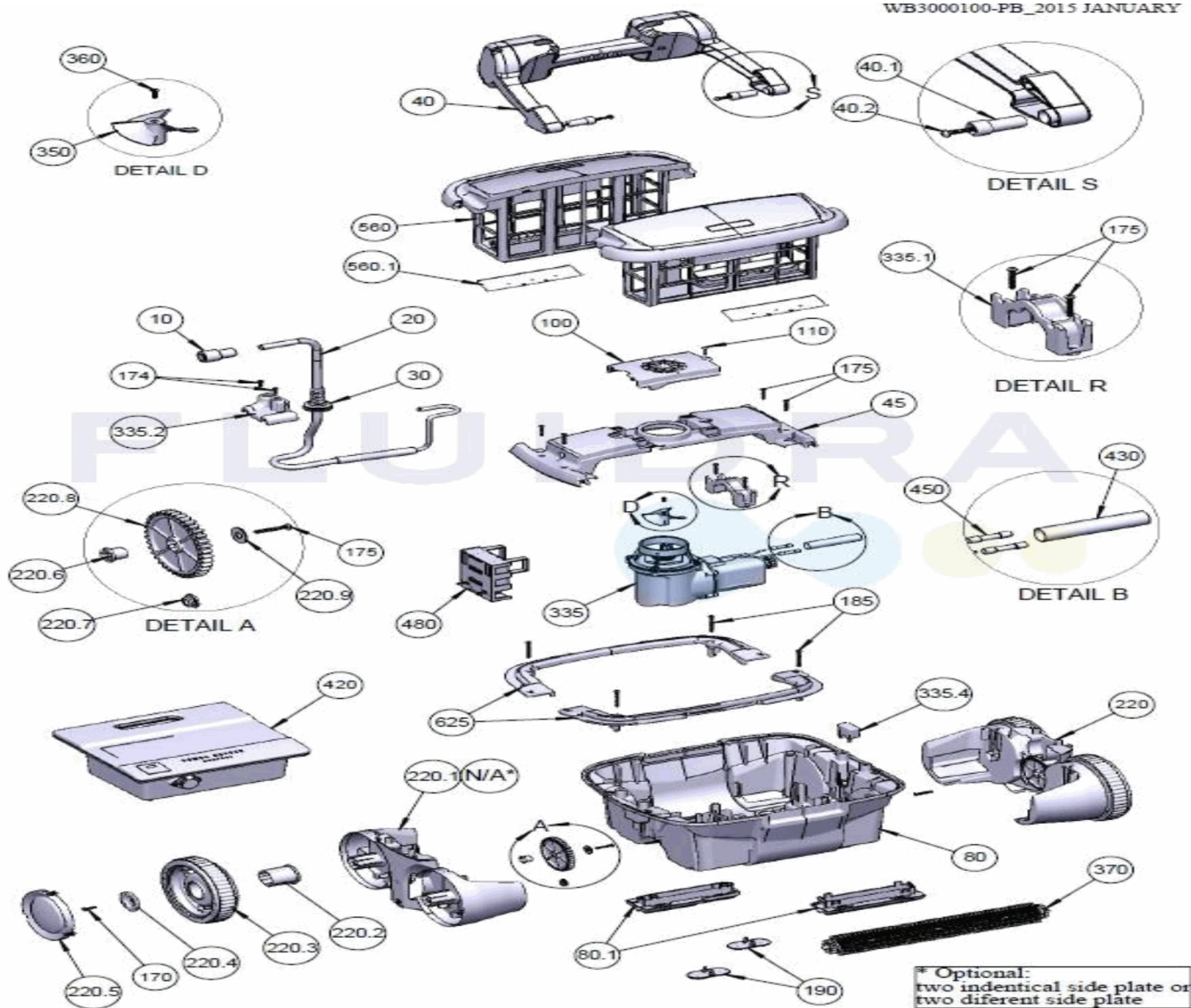
335,4	PP0037600	DICHTUNG ZAHNRAD SOPHIA	450	5473	HINTERER VERBINDUNGSTEIL
350	P00038	HELIX	480	AS8007000-SP	SET SCHWIMMER
360	SW00069	SCHRAUBE M-3X10 PHIL DIN-965	560	AS2802323	SET FILTER
370	AS2802420	SET BÜRSTE	560,1	PP00381IV	DECKEL FILTER GEHÄUSE
420	AS2722402-SP	TRANSFORMATOR BASIC 180W GRAU	625	PP00364GY	OBERER RAHMEN
430	AS110011010	EINZIEHBARES ROHR 16/4 WCSM	st shown	XW3000100	DICHTUNGSMASSE

CODIGO **66666**

DESCRIÇÃO: **LIMPADOR DE FUNDOS R3**

**REFL-SOF0-AR313 (2016)**

WB3000100-PB\_2015 JANUARY



**PORTUGUES**

POS	CODIGO	DESCRIÇÃO	POS	CODIGO	DESCRIÇÃO
10	PL00002M	FICHA DE 4 PINOS	185	HW0006000	PARAFUSO PT WN 1412
20	WA00325CGLA	CONJUNTO CABO DA BOIA CG/16M/2C/EL-SW	190	PP0039600	VÁLVULA DE BORRACHA
30	PP00589BK	PASSA-CABOS PARA CABO 16 AWG	220	AS2802600	TAMPA LATERAL 4
40	AS2803107	CJTO. PEGA	220.2	PP0038200	CASQUILHO ROSA SOPHIA
40.1	PP0038700	EIXO PEGA	220.3	SA0016417	RODA COM TAMPA + PVA
40.2	HW0006100	PARAFUSO PT WN 1412	220.4	PP0042100	RODA DE TRAÇÃO
45	PP00365GY	CARCAÇA SUPERIOR	220.5	PP00386BL	ROLHA RODA
80	PP00362GY	ARMAÇÃO INFERIOR	220.6	PP0042000	CHUMACEIRA RODA CENTRAL DENTADA
80.1	SA0016901	CJTO. ENTRADA	220.7	PP0037400	ROLAMENTO PARA SOPHIA
100	PP00369GY	SORTIE SUPÉRIEURE	220.8	PP0039000	RODA CENTRAL DENTADA
110	5061	PARAFUSO 6-32 X 5/8 S/S PH PA	220.9	HW0006600	ANILHA PLANA 5/16N
170	2700	PARAFUSO 8 X 11/16 PHIL PN	335	AS2801620-SP	CJTO. MOTOR MÁX 3 (2013)
174	HW0005800	PARAFUSO EJOT PT KA 40X14 WN1412	335.1	PP0037900	SUPORTE MOTOR
175	HW0005100	PARAFUSO PT KA 40X25	335.2	PP0038000	FIXAÇÃO CABO

**CODIGO 66666**

**DESCRIÇÃO: LIMPADOR DE FUNDOS R3**

**REFL-SOF0-AR313 (2016)**

335,4	PP0037600	JUNTA RODA DENTADA SOPHIA	450	5473	CONECTOR DE EXTREMIDADE
350	P00038	HÉLICE	480	AS8007000-SP	CJTO. FLUTUAÇÃO
360	SW00069	PARAFUSO M-3 X 10 PHIL DIN-965	560	AS2802323	CONJUNTO FILTRO
370	AS2802420	CJTO. ESCOVA	560,1	PP003811V	PLACA FILTRO ARMAÇÃO
420	AS2722402-SP	TRANSFORMADOR BÁSICO 180 W. CINZENTO	625	PP00364GY	ESTRUTURA SUPERIOR
430	AS110011010	TUBO RETRÁTIL 16/4 WCSM	not shown	XW3000100	SELANTE ESTANQUEIDADE