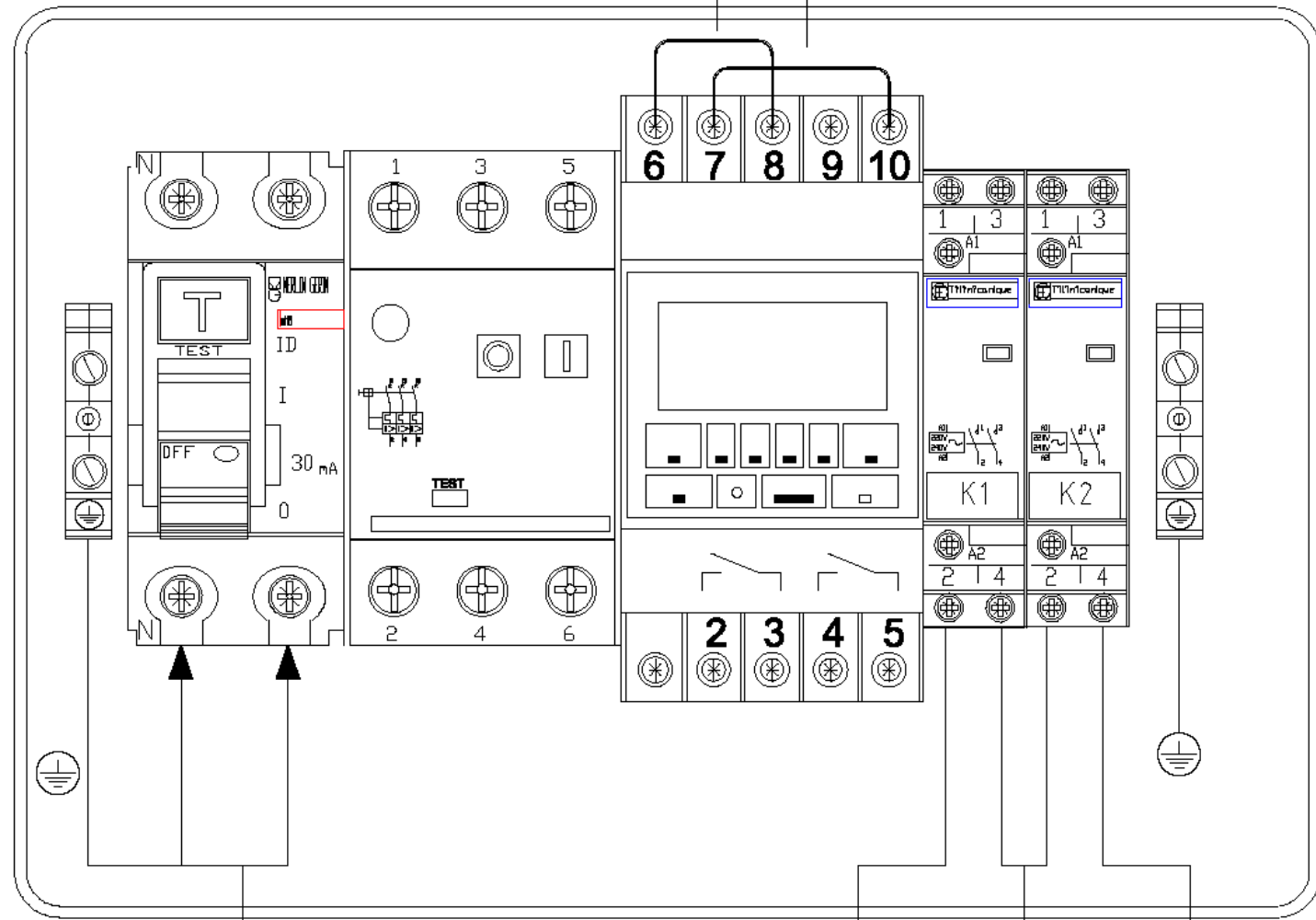


**WARNING**  
**ATTENTION**  
**CUIDADO**

DANGER OF ELECTRIC SHOCK - ISOLATE MAIN BEFORE UPENING BOX  
 RISQUE DE CHOC ELECTRIQUE - SECTIONNER L'ALIMENTATION AVANT D'OUVRIR LE COFFRET  
 PELIGRO DE CHOQUE ELECTRICO  
 - CORTAR LA ENTRADA GENERAL ANTES DE ABRIR ESTE CUADRO

Preliminary / Provisoire / Provisional



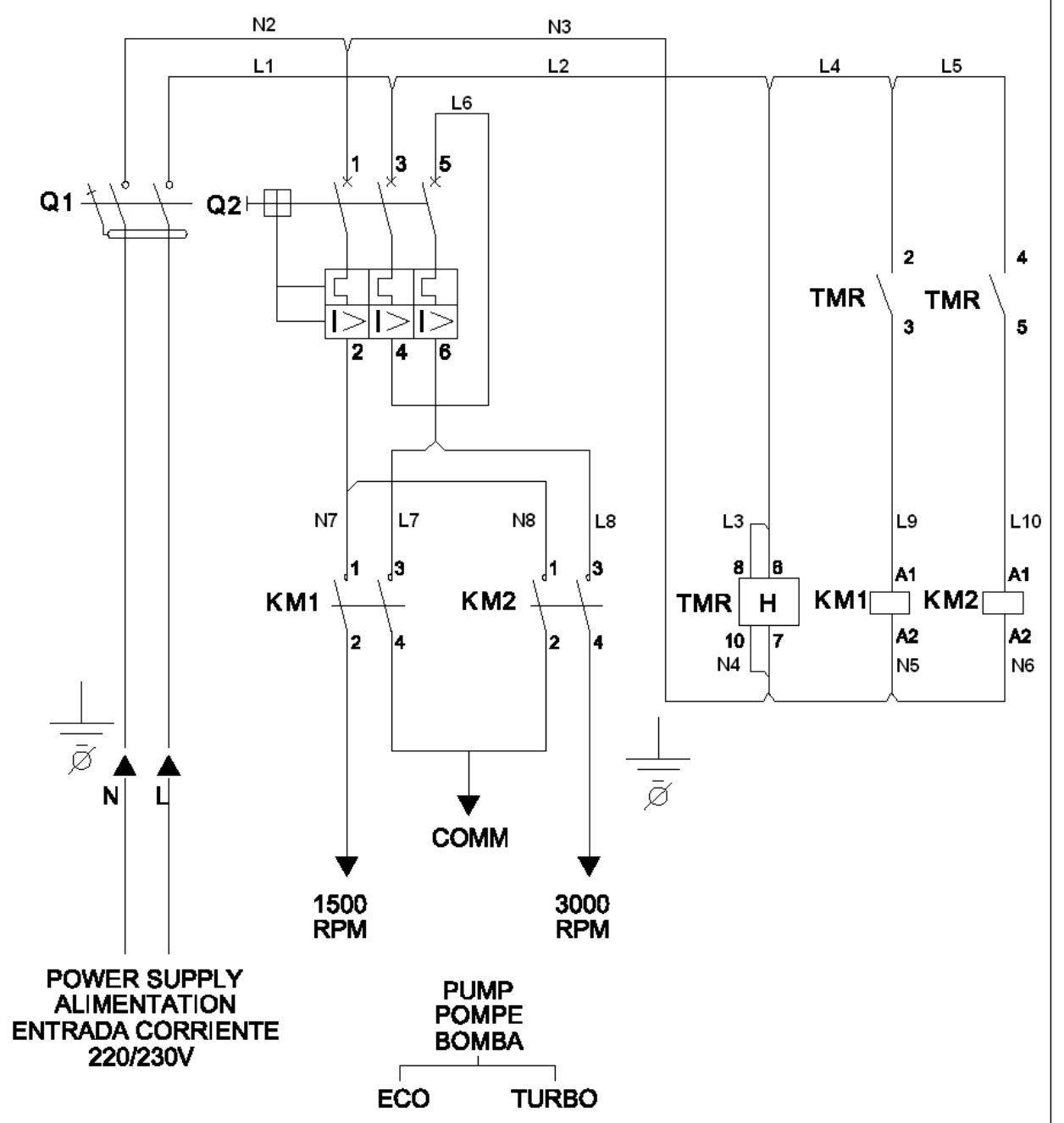
POWER SUPPLY  
 ALIMENTATION  
 ENTRADA CORRIENTE  
 220/230V

1500 RPM  
 COMM  
 3000 RPM

PUMP  
 POMPE  
 BOMBA

ECO TURBO

CONNECTION DIAGRAM  
 SCHEMA DE RACCORDEMENT  
 DIAGRAMA DE CONEXIONES



POWER SUPPLY  
 ALIMENTATION  
 ENTRADA CORRIENTE  
 220/230V

1500 RPM  
 COMM  
 3000 RPM

PUMP  
 POMPE  
 BOMBA

ECO TURBO

ELECTRICAL DIAGRAM  
 SCHEMA ELECTRIQUE  
 ESQUEMA ELECTRICO

DRAWN BY:		CLIENT:	
eegaratelek		metalast	
REFERENCE:		PAGE NUM.	
M00403 M00404		1/1	
A	Made:	30/06/2010	MS
Ind.	Modification	Date	Nom