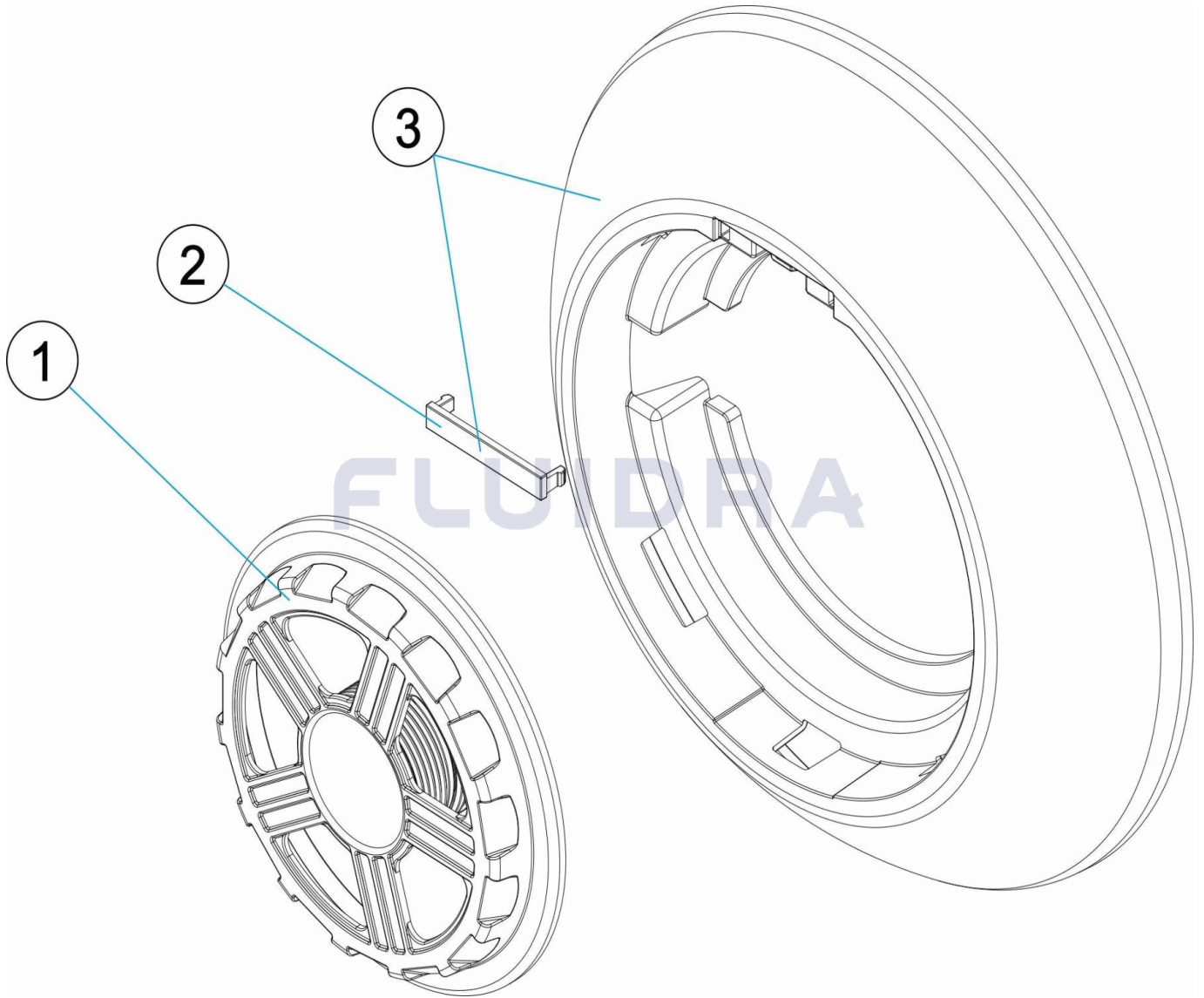


CODIGO 71211, 71211CL090, 71211CL129, 71211CL144

DESCRIPCION: **EMBELLECEDOR FLEXIRAPID**



ESPAÑOL

POS	CODIGO	DESCRIPCION	CANTIDAD	POS	CODIGO	DESCRIPCION	CANTIDAD
1	4403010128	ADAPTADOR FIJACION BOQUILLA		3	* 4403010129	EMBELLECEDOR FLEXIRAPID	
2	* 4403010087	TAPETA EMBELLECEDORA PURE WHITE		3	* 4403010130	EMBELLECEDOR FLEXIRAPID	
2	* 4403010119	TAPETA EMBELLECEDORA		3	* 4403010131	EMBELLECEDOR FLEXIRAPID	
2	* 4403010120	TAPETA EMBELLECEDORA		3	* 4403010132	EMBELLECEDOR FLEXIRAPID	
2	* 4403010121	TAPETA EMBELLECEDORA					

CODIGO **71211, 71211CL090, 71211CL129, 71211CL144**

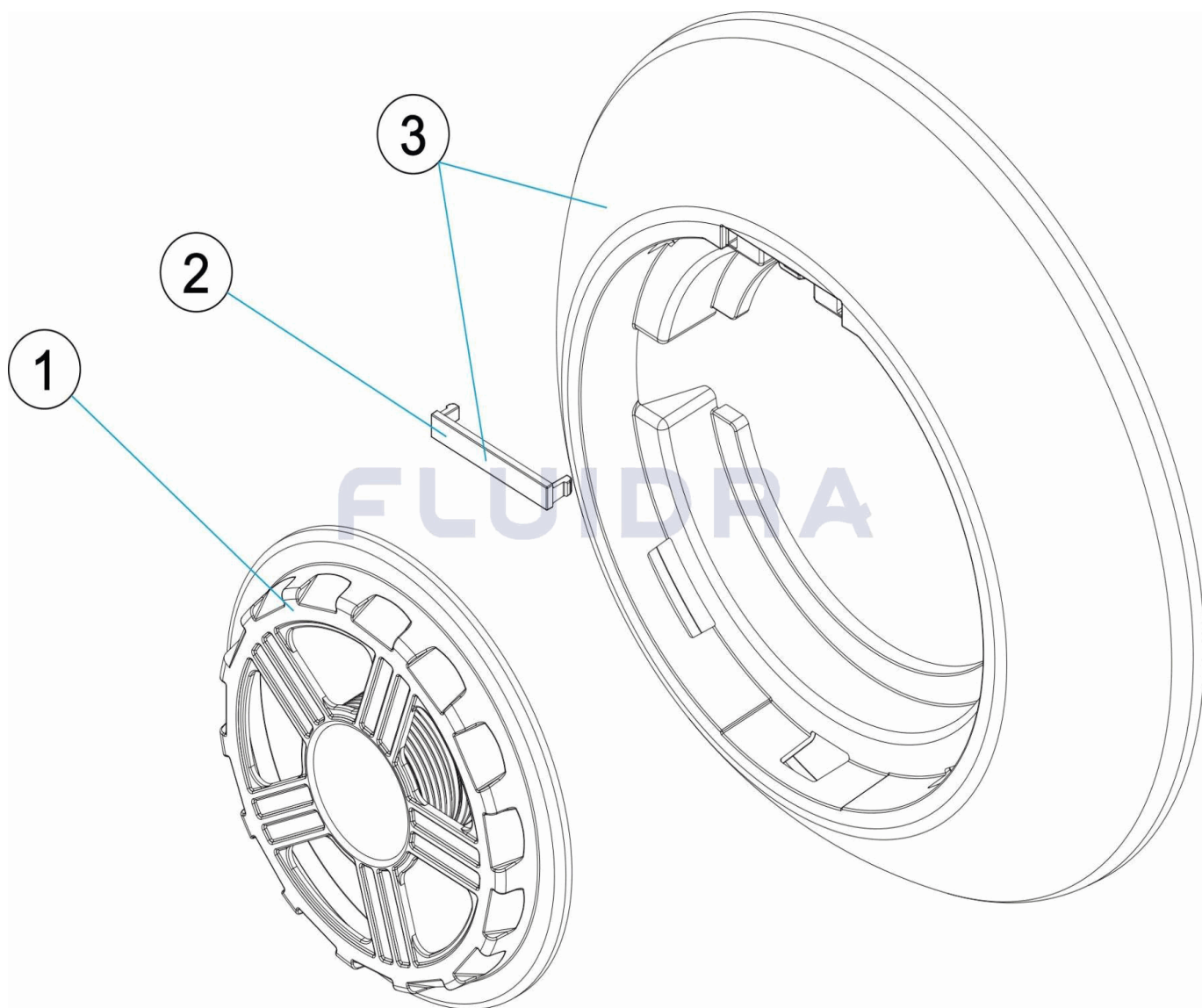
DESCRIPCION: EMBELLECEDOR FLEXIRAPID

OBSERVACIONES

POS	CODIGO	OBSERVACIONES
2	4403010087	PARA: 71211 BLANCO / WHITE
2	4403010119	PARA: 71211CL090 BEIGE
2	4403010120	PARA: 71211CL129 GRIS / GREY
2	4403010121	PARA: 71211CL144 ANTRACITA / ANTHRACITE
3	4403010129	PARA: 71211 BLANCO / WHITE
3	4403010130	PARA: 71211CL090 BEIGE
3	4403010131	PARA: 71211CL129 GRIS / GREY
3	4403010132	PARA: 71211CL144 ANTRACITA / ANTHRACITE

CODE 71211, 71211CL090, 71211CL129, 71211CL144

DESCRIPTION: ENJOLIVEUR FLEXIRAPID



FRANCAIS

POS	CODE	DESCRIPTION	QUANTITE	POS	CODE	DESCRIPTION	QUANTITE
1	4403010128	ADAPTATEUR FIXATION BOUCHE		3	* 4403010129	ENJOLIVEUR FLEXIRAPID	
2	* 4403010087	ENJOLIVEUR PURE WHITE		3	* 4403010130	ENJOLIVEUR FLEXIRAPID	
2	* 4403010119	ENJOLIVEUR		3	* 4403010131	ENJOLIVEUR FLEXIRAPID	
2	* 4403010120	ENJOLIVEUR		3	* 4403010132	ENJOLIVEUR FLEXIRAPID	
2	* 4403010121	ENJOLIVEUR					

CODE **71211, 71211CL090, 71211CL129, 71211CL144**

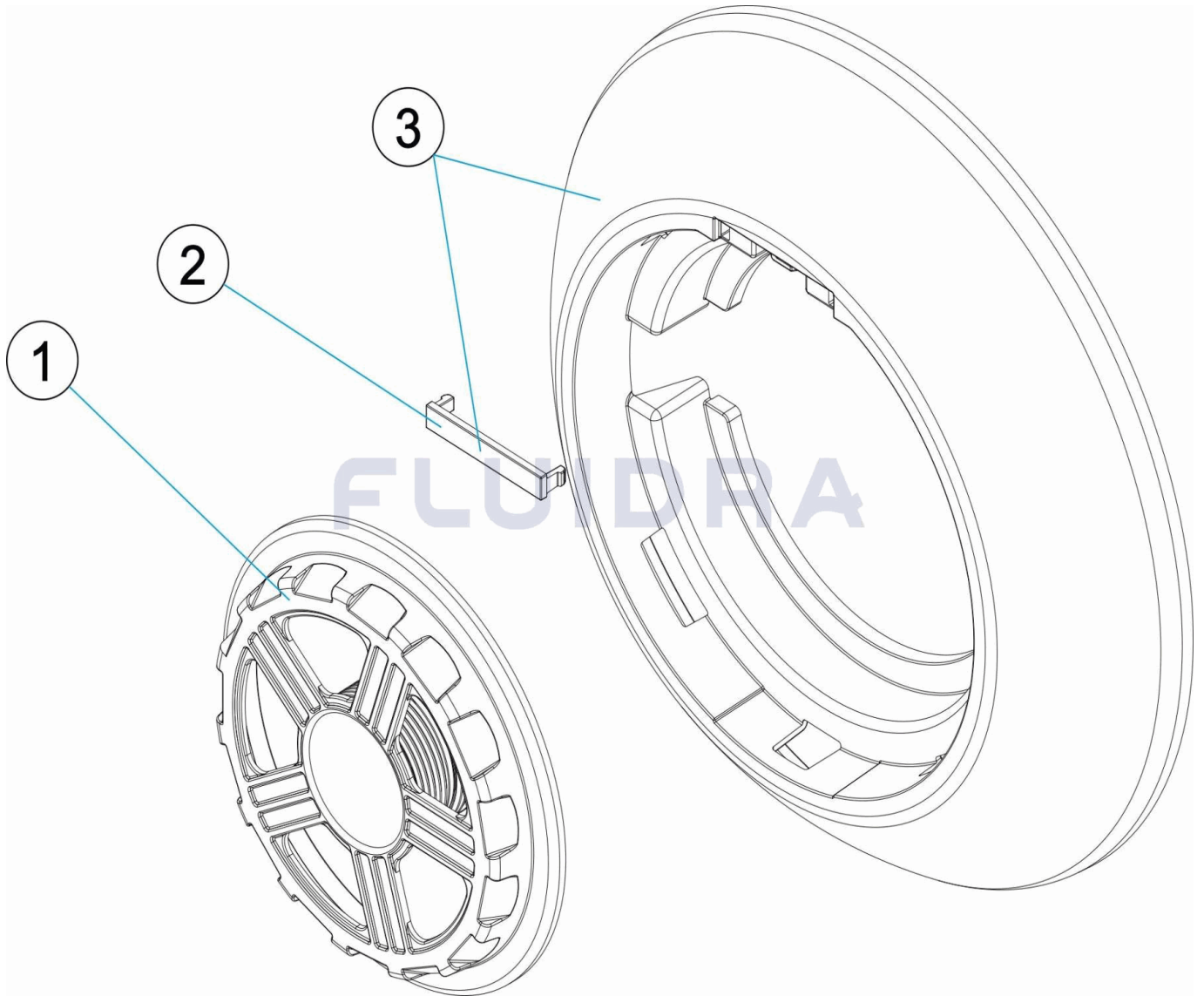
DESCRIPTION: **ENJOLIVEUR FLEXIRAPID**

OBSERVATIONS

POS	CODE	OBSERVATIONS
2	4403010087	POUR: 71211 BLANCO / WHITE
2	4403010119	POUR: 71211CL090 BEIGE
2	4403010120	POUR: 71211CL129 GRIS / GREY
2	4403010121	POUR: 71211CL144 ANTRACITA / ANTHRACITE
3	4403010129	POUR: 71211 BLANCO / WHITE
3	4403010130	POUR: 71211CL090 BEIGE
3	4403010131	POUR: 71211CL129 GRIS / GREY
3	4403010132	POUR: 71211CL144 ANTRACITA / ANTHRACITE

CODE 71211, 71211CL090, 71211CL129, 71211CL144

DESCRIPTION: FLEXIRAPID LIGHT COVER



ENGLISH

POS	CODE	DESCRIPTION	QUANTITY	POS	CODE	DESCRIPTION	QUANTITY
1	4403010128	INLET FIXING ADAPTOR		3	* 4403010129	FLEXIRAPID FACEPLATE	
2	* 4403010087	ESCUTCHEON PURE WHITE		3	* 4403010130	FLEXIRAPID FACEPLATE	
2	* 4403010119	ESCUTCHEON		3	* 4403010131	FLEXIRAPID FACEPLATE	
2	* 4403010120	ESCUTCHEON		3	* 4403010132	FLEXIRAPID FACEPLATE	
2	* 4403010121	ESCUTCHEON					

CODE **71211, 71211CL090, 71211CL129, 71211CL144**

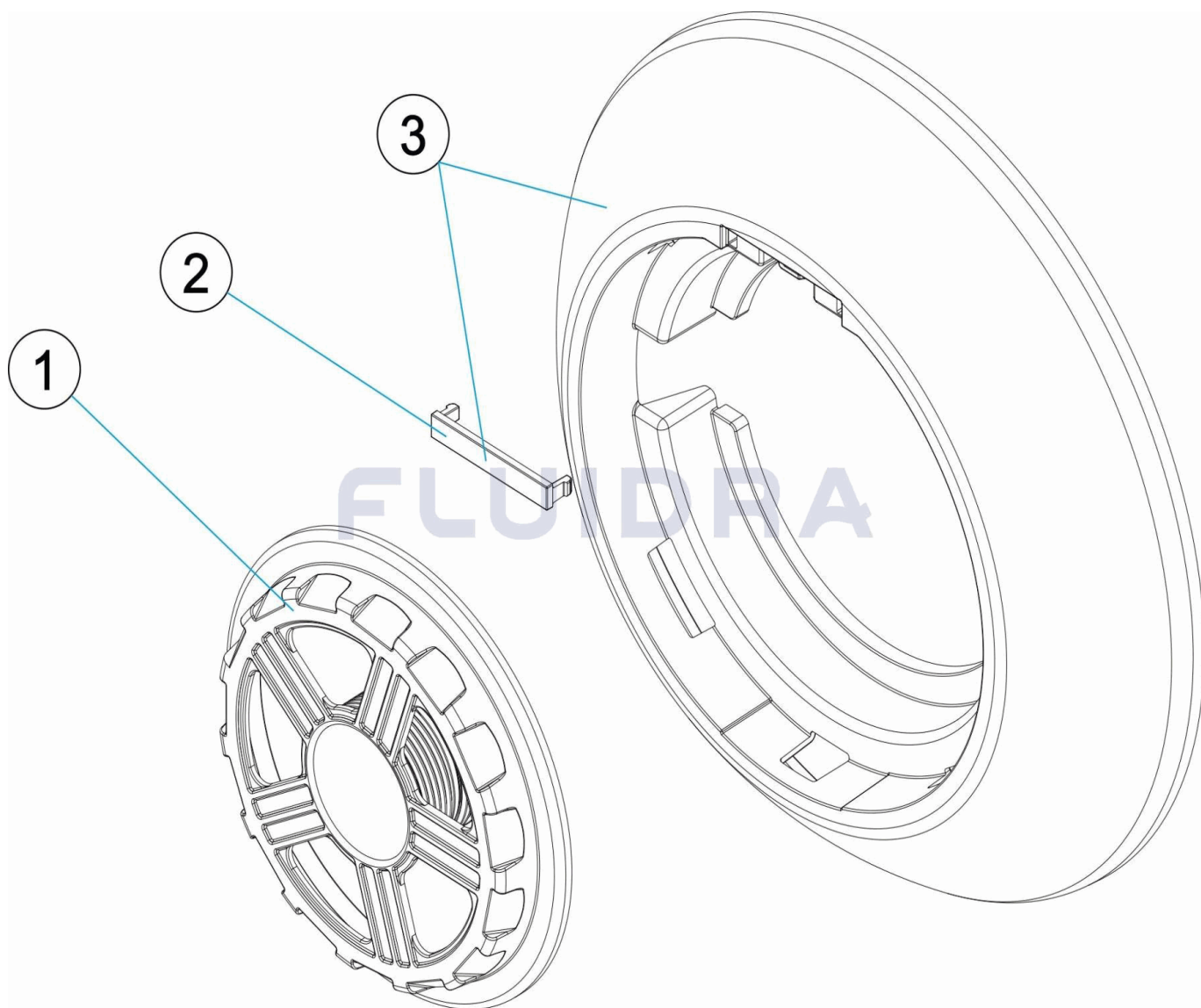
DESCRIPTION: **FLEXIRAPID LIGHT COVER**

OBSERVATIONS

POS	CODE	OBSERVATIONS
2	4403010087	FOR: 71211 BLANCO / WHITE
2	4403010119	FOR: 71211CL090 BEIGE
2	4403010120	FOR: 71211CL129 GRIS / GREY
2	4403010121	FOR: 71211CL144 ANTRACITA / ANTHRACITE
3	4403010129	FOR: 71211 BLANCO / WHITE
3	4403010130	FOR: 71211CL090 BEIGE
3	4403010131	FOR: 71211CL129 GRIS / GREY
3	4403010132	FOR: 71211CL144 ANTRACITA / ANTHRACITE

CODICE 71211, 71211CL090, 71211CL129, 71211CL144

DESCRIZIONE: **PROIETTORE PLACCA FLEXIRAPID**



ITALIANO

POS	CODICE	DESCRIZIONE	QUANTITA'	POS	CODICE	DESCRIZIONE	QUANTITA'
1	4403010128	ADATTATORE FISSAGGIO BOCCHETTA		3	* 4403010129	ANELLO FRONTALE FLEXIRAPID	
2	* 4403010087	COPRIFLANGIA PURE WHITE		3	* 4403010130	ANELLO FRONTALE FLEXIRAPID	
2	* 4403010119	COPRIFLANGIA		3	* 4403010131	ANELLO FRONTALE FLEXIRAPID	
2	* 4403010120	COPRIFLANGIA		3	* 4403010132	ANELLO FRONTALE FLEXIRAPID	
2	* 4403010121	COPRIFLANGIA					

CODICE **71211, 71211CL090, 71211CL129, 71211CL144**

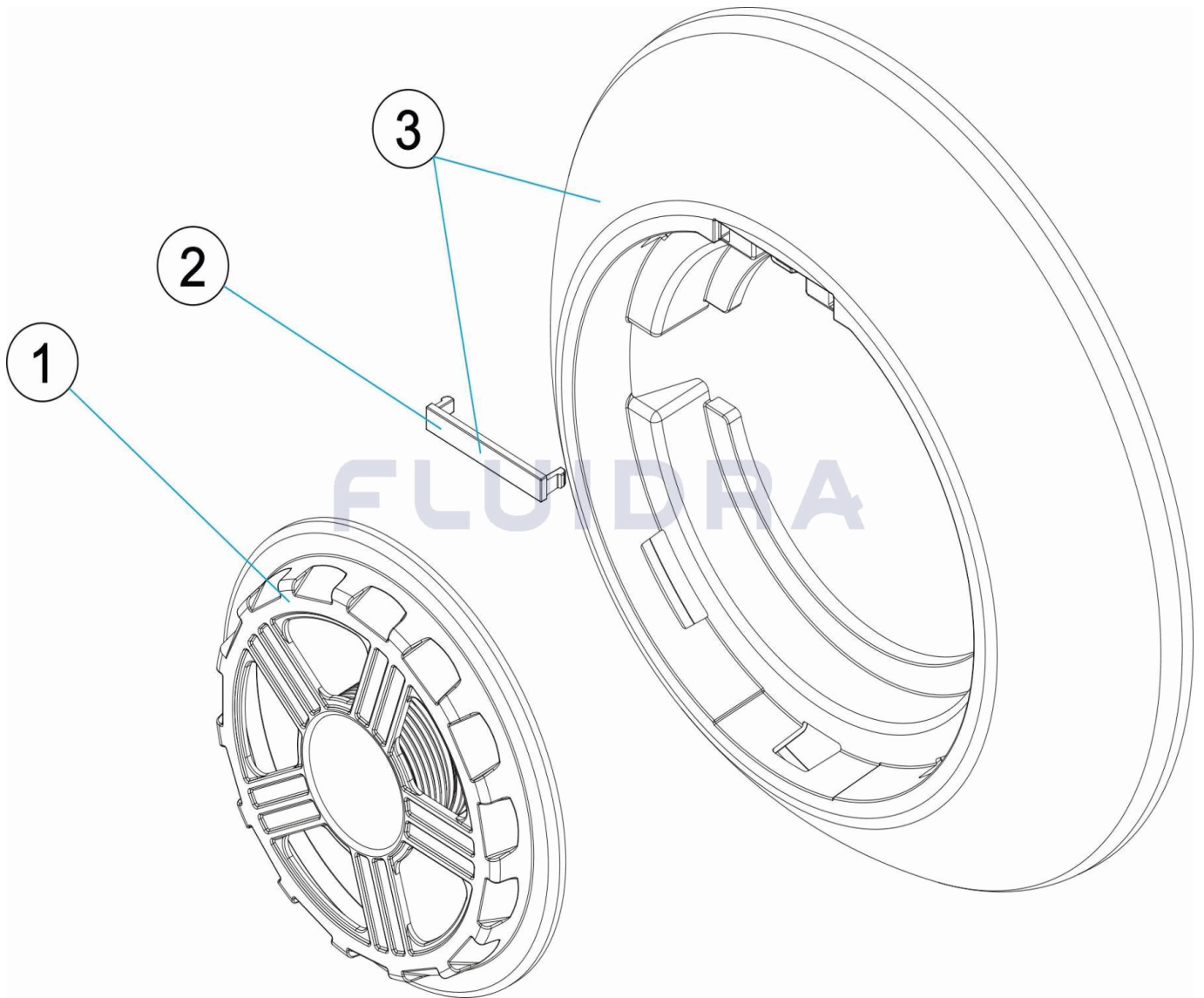
DESCRIZIONE: PROIETTORE PLACCA FLEXIRAPID

OSSERVAZIONI

POS	CODICE	OSSERVAZIONI
2	4403010087	PER: 71211 BLANCO / WHITE
2	4403010119	PER: 71211CL090 BEIGE
2	4403010120	PER: 71211CL129 GRIS / GREY
2	4403010121	PER: 71211CL144 ANTRACITA / ANTHRACITE
3	4403010129	PER: 71211 BLANCO / WHITE
3	4403010130	PER: 71211CL090 BEIGE
3	4403010131	PER: 71211CL129 GRIS / GREY
3	4403010132	PER: 71211CL144 ANTRACITA / ANTHRACITE

CODE 71211, 71211CL090, 71211CL129, 71211CL144

BESCHREIBUNG: UWS BLENDE FLEXIRAPID



DEUTSCH

POS	CODE	BESCHREIBUNG	MENGE	POS	CODE	BESCHREIBUNG	MENGE
1	4403010128	DÜSE FIXIE ADAPTER		3	* 4403010129	BLLENDE FLEXIRAPID	
2	* 4403010087	DEKO-ABSCHLUSS PURE WHITE		3	* 4403010130	BLLENDE FLEXIRAPID	
2	* 4403010119	DEKO-ABSCHLUSS		3	* 4403010131	BLLENDE FLEXIRAPID	
2	* 4403010120	DEKO-ABSCHLUSS		3	* 4403010132	BLLENDE FLEXIRAPID	
2	* 4403010121	DEKO-ABSCHLUSS					

CODE **71211, 71211CL090, 71211CL129, 71211CL144**

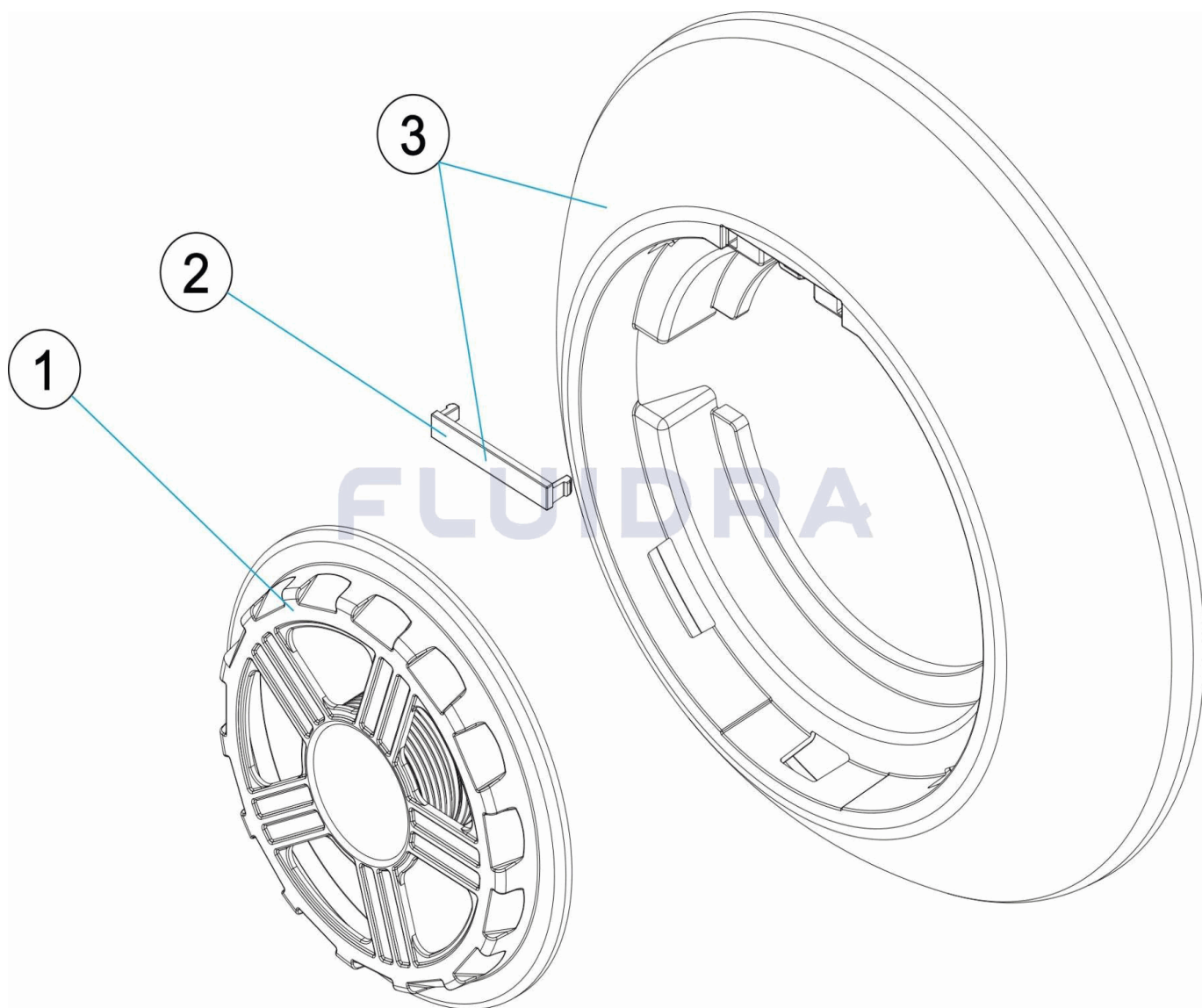
BESCHREIBUNG: **UWS BLENDE FLEXIRAPID**

HINWEISE

POS	CODE	HINWEISE
2	4403010087	FÜR: 71211 BLANCO / WHITE
2	4403010119	FÜR: 71211CL090 BEIGE
2	4403010120	FÜR: 71211CL129 GRIS / GREY
2	4403010121	FÜR: 71211CL144 ANTRACITA / ANTHRACITE
3	4403010129	FÜR: 71211 BLANCO / WHITE
3	4403010130	FÜR: 71211CL090 BEIGE
3	4403010131	FÜR: 71211CL129 GRIS / GREY
3	4403010132	FÜR: 71211CL144 ANTRACITA / ANTHRACITE

CODIGO 71211, 71211CL090, 71211CL129, 71211CL144

DESCRIÇÃO: PROJECTOR PLACA DECORATIVA FLEXIRAPID



PORTUGUES

POS	CODIGO	DESCRIÇÃO	QUANTIDADE	POS	CODIGO	DESCRIÇÃO	QUANTIDADE
1	4403010128	ADAPTADOR FIXAÇÃO BOCA		3	* 4403010129	EMBELEZADOR FLEXIRAPID	
2	* 4403010087	TAMPA EMBELEZADORA PURE WHITE		3	* 4403010130	EMBELEZADOR FLEXIRAPID	
2	* 4403010119	TAMPA EMBELEZADORA		3	* 4403010131	EMBELEZADOR FLEXIRAPID	
2	* 4403010120	TAMPA EMBELEZADORA		3	* 4403010132	EMBELEZADOR FLEXIRAPID	
2	* 4403010121	TAMPA EMBELEZADORA					

CODIGO **71211, 71211CL090, 71211CL129, 71211CL144**

DESCRIÇÃO: PROJECTOR PLACA DECORATIVA FLEXIRAPID

OBSERVAÇÕES

POS	CODIGO	OBSERVAÇÕES
2	4403010087	PARA: 71211 BLANCO / WHITE
2	4403010119	PARA: 71211CL090 BEIGE
2	4403010120	PARA: 71211CL129 GRIS / GREY
2	4403010121	PARA: 71211CL144 ANTRACITA / ANTHRACITE
3	4403010129	PARA: 71211 BLANCO / WHITE
3	4403010130	PARA: 71211CL090 BEIGE
3	4403010131	PARA: 71211CL129 GRIS / GREY
3	4403010132	PARA: 71211CL144 ANTRACITA / ANTHRACITE