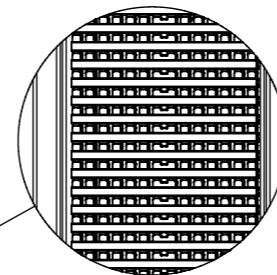
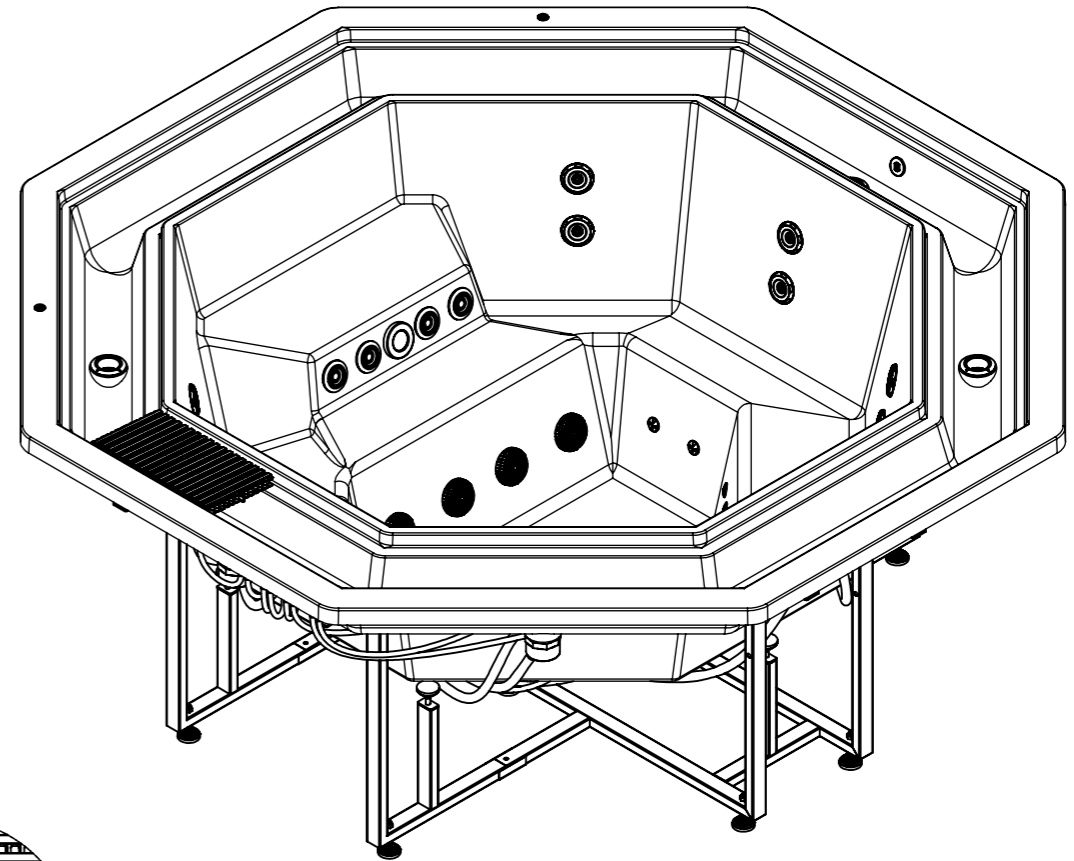
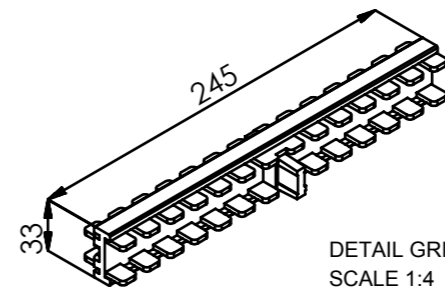


↑ ↑
HYDRAULIC CONNECTIONS ACCESS



D (1 : 10)



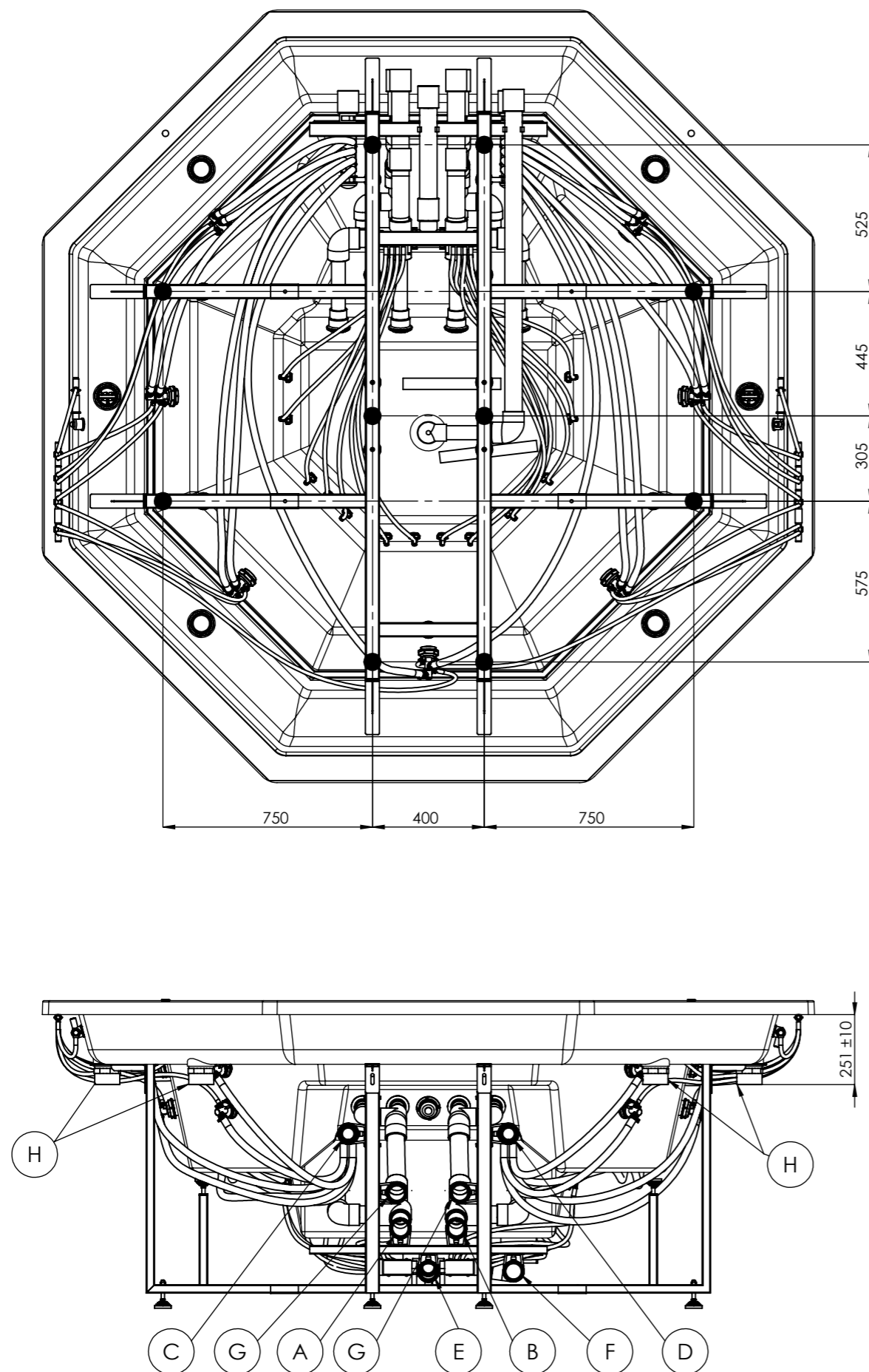
DETAIL GRID
SCALE 1:4

VALID FROM 15/01/2016

According to our policy of continuous improvement, dimensions, features or components of this product can be partially or completely changed without prior notice.
It's Customer responsibility to verify that this is the last version of the drawing

Change No.	Date	Name	Modification
03	30/01/2019	A.Miquel	Drawing corrections
02	17/02/2016	I.Pozo	Change light and drain
01	09/06/2014	I.Pozo	New Templates
00	12/03/2009	C.García	Drawing creation

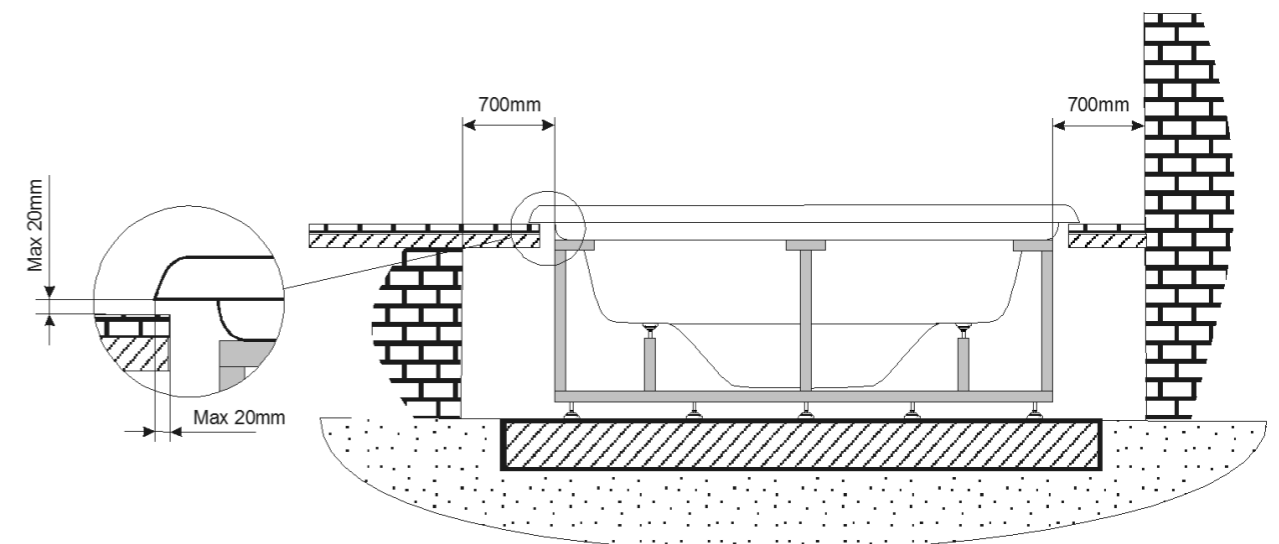
Remarks Dimensions in mm. General Tolerances +/- 10mm			COMMERCIAL		
Drawn	12/03/2009	C.García	Part Number 41912 43741	Rev. 03	First Angle Projection
Checked	12/03/2009	A.Deu			
Scale	1:20		General Tolerance DIN 7168 ISO 2768g		
Sheet	1/3				



		41912	43741
A	Suction-Water Massage Pump 1	1x Ø63 FEMALE SOLVENT SOCKET	1x Ø2" FEMALE SOLVENT SOCKET
B	Suction-Water Massage Pump 2	1x Ø63 FEMALE SOLVENT SOCKET	1x Ø2" FEMALE SOLVENT SOCKET
C	Return-Water Massage Pump 1	1x Ø63 FEMALE SOLVENT SOCKET	1x Ø2" FEMALE SOLVENT SOCKET
D	Return-Water Massage Pump 2	1x Ø63 FEMALE SOLVENT SOCKET	1x Ø2" FEMALE SOLVENT SOCKET
E	Return-Air Massage	1x Ø63 FEMALE SOLVENT SOCKET	1x Ø2" FEMALE SOLVENT SOCKET
F	Suction/Return-Filtration Pump Bottom Spa	1x Ø63 FEMALE SOLVENT SOCKET	1x Ø2" FEMALE SOLVENT SOCKET
G	Return-Filtration Pump Inlets	2x Ø63 FEMALE SOLVENT SOCKET	2x Ø2" FEMALE SOLVENT SOCKET
H	Overflow Drains	6x Ø75 FEMALE SOLVENT SOCKET	6x Ø2,5" FEMALE SOLVENT SOCKET

VALID FROM 15/01/2016

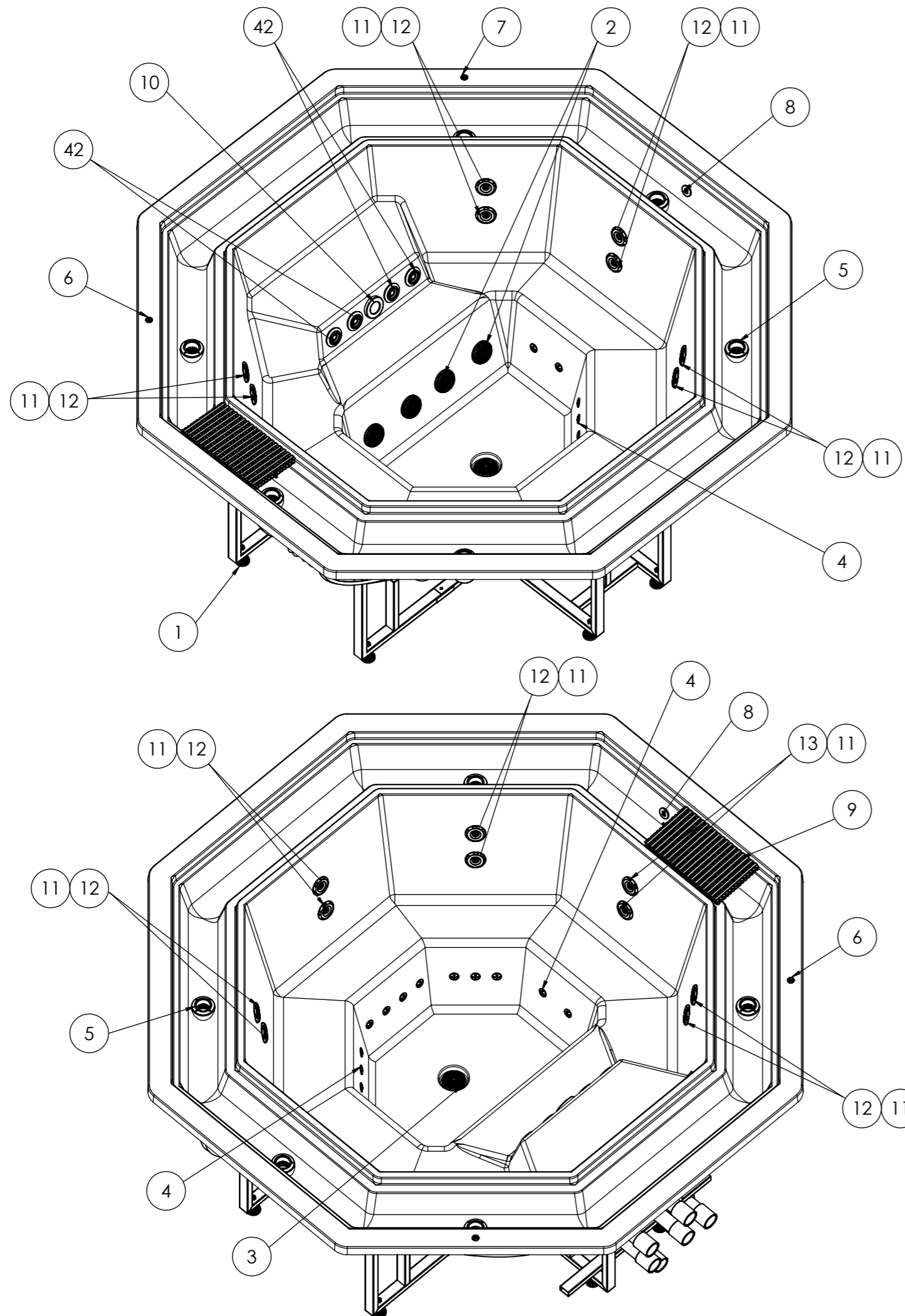
WARNING:
It's essential to keep a minimum clearance access of 700mm all around.



According to our policy of continuous improvement, dimensions, features or components of this product can be partially or completely changed without prior notice.
It's Customer responsibility to verify that this is the last version of the drawing

Change No.	Date	Name	Modification
03	30/01/2019	A.Miquel	Drawing corrections
02	17/02/2016	I.Pozo	Change light and drain
01	09/06/2014	I.Pozo	New Templates
00	12/03/2009	C.García	Drawing creation

Remarks Dimensions in mm. General Tolerances +/- 10mm			COMMERCIAL		
Drawn	12/03/2009	C.García		Part Number	Rev.
Checked	12/03/2009	A.Deu		41912	03
Scale	1:20			43741	
Sheet	2/3				
General Tolerance DIN 7168 ISO 2768g					



STAINLESS JETS + WHITE LIGHT			
Position Num.	Part Nº SPARE	Description SPARE	Quant.
1	303325R	SPA SUPPORT	12
2	RPOR0223	WHITE SPA DRAIN 2" ADAPTOR SOCKET D.50	4
3	RPOR0224	WHITE SPA DRAIN 2" ADAPTOR ELBOW 90 D.50	1
4	REMP0046	WHITE-STAINLESS STEEL AIR NOZZLE	9
5	REMP0051	WHITE SPA DRAIN 2 1/2"	6
6	REMP0034	DIGITAL BUTTON IP68 ALUM. AIR	1
7	REMP0033	DIGITAL BUTTON IP68 ALUM. WATER	1
8	RPOR0003	GREY DRAIN SET - BODY+COVER+ASSEMBLY	2
9	REMP0041	CURVED GRATING WIDTH 245 mm	324
10	RCOM0071	HIGH INTENSITY WHITE LED SPOTLIGHTS + STAINLESS STEEL ESCUTCHEON SPOTLIGHT	1
11	RPOR0236	JET BODY SET RD 3"	14
12	RPOR0231	FRONTAL JET 3" STAINLESS STEEL DIRECTIONAL	6
42	REMP0010	PRESSURE NOZZLE	4
14	RPOR0232	FRONTAL JET 3" STAINLESS STEEL 1 JET ROTO	3
13	REMP0059	FRONTAL JET ROT 1 CHORRO 3"	1
13	RPOR0233	FRONTAL JET 3" STAINLESS STEEL TWIN ROTO	4
4	REMP0029	KIT STORM AIR NOZZLE	5
12	REMP0058	FRONTAL JET DIRECCIONAL 3"	14

WHITE JETS + WHITE LIGHT			
Position Num.	Part Nº SPARE	Description SPARE	Quant.
1	303325R	SPA SUPPORT	12
2	RPOR0223	WHITE SPA DRAIN 2" ADAPTOR SOCKET D.50	4
3	RPOR0224	WHITE SPA DRAIN 2" ADAPTOR ELBOW 90 D.50	1
4	REMP0029	KIT STORM AIR NOZZLE	14
5	REMP0051	WHITE SPA DRAIN 2 1/2"	6
6	REMP0034	DIGITAL BUTTON IP68 ALUM. AIR	1
7	REMP0033	DIGITAL BUTTON IP68 ALUM. WATER	1
8	RPOR0003	GREY DRAIN SET - BODY+COVER+ASSEMBLY	2
9	REMP0041	CURVED GRATING WIDTH 245 mm	324
10	RCOM0070	HIGH INTENSITY WHITE LED SPOTLIGHTS + WHITE ESCUTCHEON SPOTLIGHT	1
11	RPOR0236	JET BODY SET RD 3"	14
12	REMP0058	FRONTAL JET DIRECCIONAL 3"	14
13	REMP0059	FRONTAL JET ROT 1 CHORRO 3"	4
14	REMP0060	FRONTAL JET ROT 2 CHORRO 3"	4
42	REMP0010	PRESSURE NOZZLE	4

STAINLESS JETS + COLOUR LIGHT			
Position Num.	Part Nº SPARE	Description SPARE	Quant.
1	303325R	SPA SUPPORT	12
2	RPOR0223	WHITE SPA DRAIN 2" ADAPTOR SOCKET D.50	4
3	RPOR0224	WHITE SPA DRAIN 2" ADAPTOR ELBOW 90 D.50	1
4	REMP0046	WHITE-STAINLESS STEEL AIR NOZZLE	9
5	REMP0051	WHITE SPA DRAIN 2 1/2"	6
6	REMP0034	DIGITAL BUTTON IP68 ALUM. AIR	1
7	REMP0033	DIGITAL BUTTON IP68 ALUM. WATER	1
8	RPOR0003	GREY DRAIN SET - BODY+COVER+ASSEMBLY	2
9	REMP0041	CURVED GRATING WIDTH 245 mm	324
10A	RCOM0063	HIGH INTENSITY COLOURS LED SPOTLIGHTS + STEEL ESCUTCHEON SPOTLIGHT	1
11	RPOR0236	JET BODY SET RD 3"	14
12	RPOR0231	FRONTAL JET 3" STAINLESS STEEL DIRECTIONAL	6
42	REMP0010	PRESSURE NOZZLE	4
14	RPOR0232	FRONTAL JET 3" STAINLESS STEEL 1 JET ROTO	3
13	REMP0059	FRONTAL JET ROT 1 CHORRO 3"	1
13	RPOR0233	FRONTAL JET 3" STAINLESS STEEL TWIN ROTO	4
4	REMP0029	KIT STORM AIR NOZZLE	5
12	REMP0058	FRONTAL JET DIRECCIONAL 3"	14

WHITE JETS + COLOUR LIGHT			
Position Num.	Part Nº SPARE	Description SPARE	Quant.
1	303325R	SPA SUPPORT	12
2	RPOR0223	WHITE SPA DRAIN 2" ADAPTOR SOCKET D.50	4
3	RPOR0224	WHITE SPA DRAIN 2" ADAPTOR ELBOW 90 D.50	1
4	REMP0029	KIT STORM AIR NOZZLE	14
5	REMP0051	WHITE SPA DRAIN 2 1/2"	6
6	REMP0034	DIGITAL BUTTON IP68 ALUM. AIR	1
7	REMP0033	DIGITAL BUTTON IP68 ALUM. WATER	1
8	RPOR0003	GREY DRAIN SET - BODY+COVER+ASSEMBLY	2
9	REMP0041	CURVED GRATING WIDTH 245 mm	324
10	RCOM0061	HIGH INTENSITY COLOURS LED SPOTLIGHTS + WITHE ESCUTCHEON SPOTLIGHT	1
11	RPOR0236	JET BODY SET RD 3"	14
12	REMP0058	FRONTAL JET DIRECCIONAL 3"	14
13	REMP0059	FRONTAL JET ROT 1 CHORRO 3"	4
14	REMP0060	FRONTAL JET ROT 2 CHORRO 3"	4
42	REMP0010	PRESSURE NOZZLE	4

VALID FROM 15/01/2016

According to our policy of continuous improvement, dimensions, features or components of this product can be partially or completely changed without prior notice. It's Customer responsibility to verify that this is the last version of the drawing

Change No.	Date	Name	Modification
03	30/01/2019	A.Miquel	Drawing corrections
02	17/02/2016	I.Pozo	Change light and drain
01	09/06/2014	I.Pozo	New Templates
00	12/03/2009	C.García	Drawing creation

Remarks Dimensions in mm. General Tolerances +/- 10mm			SPARE DRAWING			
Drawn	12/03/2009	C.García	IBERSPA	Part Number	41912	
Checked	12/03/2009	A.Deu		43741	Rev.	03
Scale 1:20	General Tolerance DIN 7168 ISO 2768g			First Angle Projection		
Sheet 3/3	Property of IBERSPA S.L. Avda. Pla d'Urgell 2-8 25200 Cervera, Spain. Don't use without permission. Keep this information confidential and use it solely for the permitted purpose.					