

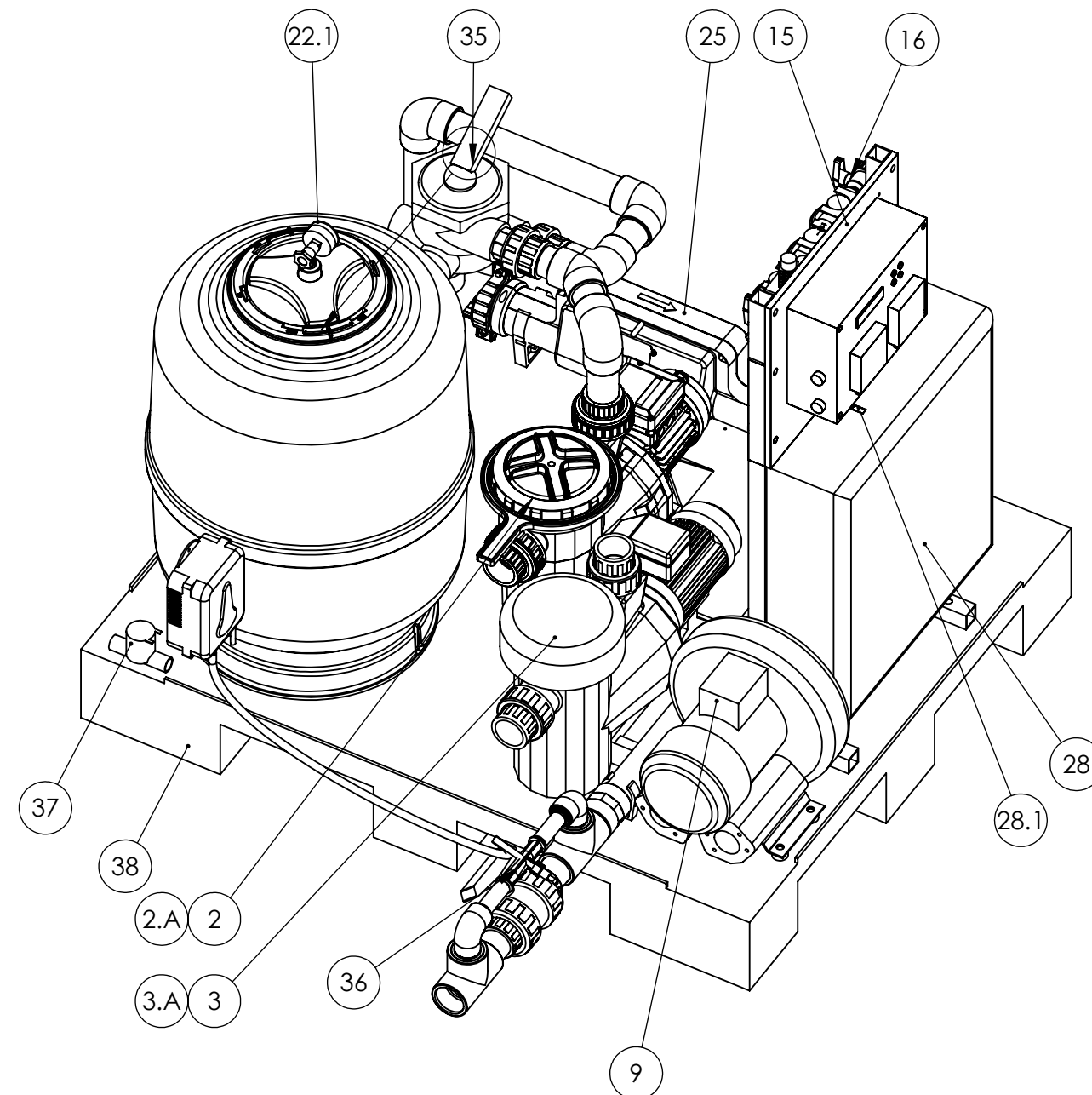
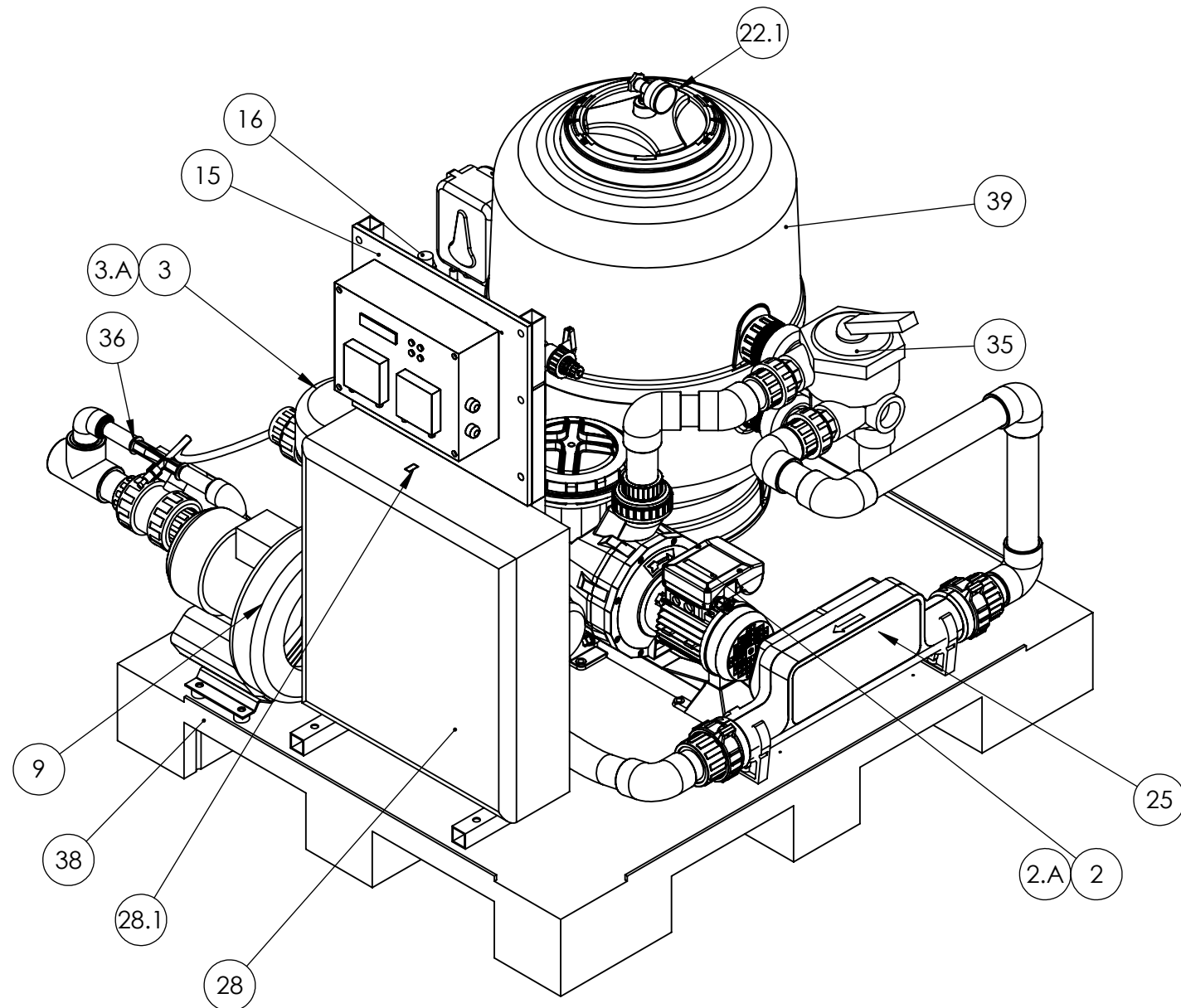


According to our policy of continuous improvement, dimensions, features or components of this product can be partially or completely changed without prior notice.  
It's Customer responsibility to verify that this is the last version of the drawing

Connection pipes of: pump to filter and filter to heater are not included.

To fill the sand filter it's necessary to leave free 60cm on the top of the filter.

01	18/09/17	Ricard	Update			
Change No.	Date	Name	Modification			
Remarks				COMMERCIAL DRAWING		
Dimensions in mm. General Tolerances +/- 10mm						
Drawn	19/03/2014	X.Codina			Part Number	Rev.
Checked					04015	01
Scale 1:10	General Tolerance					
Sheet 1/4	DIN 7168 ISO 2768g					
						
Property of IBERSPA S.L. Avda. Pla d'Urgell 2-8 25200 Cervera, Spain. Don't use without permission. Keep this information confidential and use it solely for the permitted purpose.						


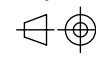


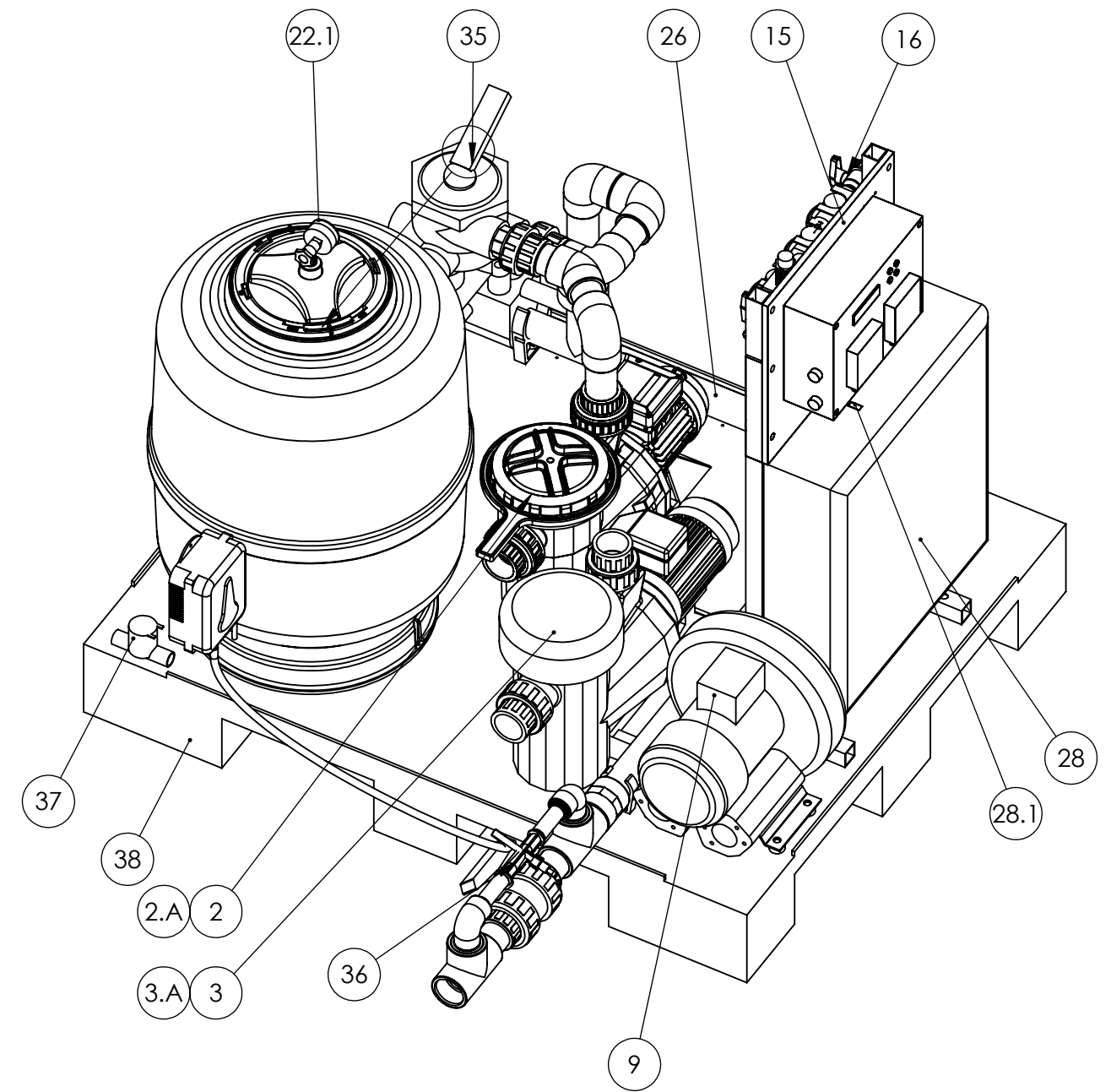
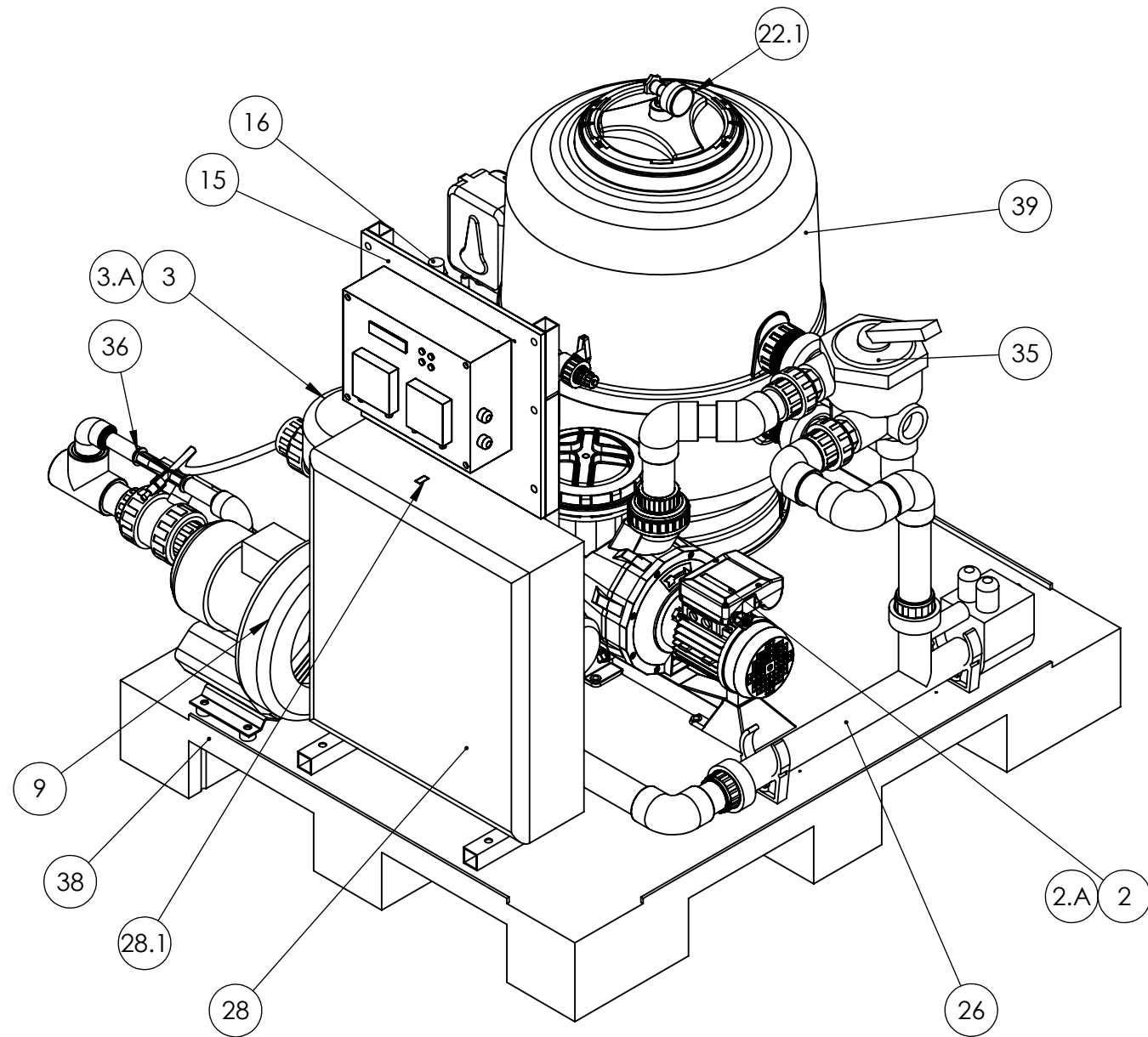
Position Num.	PartNo SPARE	Description SPARE	CANTIDA D	CP000	CP001	CP002	CP006	CP010	CP011	CP012	CP016
2	RCOM0018	FILTRATION PUMP	1	X	X	X	X	-	-	-	-
2A	RCOM0018-A	FILTRATION PUMP KIT 50 60HZ	1	-	-	-	-	X	X	X	X
3	RCOM0021	WATER MASSAGE PUMP (1,5 HP III)	1	X	X	X	X	-	-	-	-
3A	RCOM0021-A	MASSAGE PUMP KIT 75/752M 60HZ	1	-	-	-	-	X	X	X	X
9	RCOM0017	TURBO BLOWER PUMP	1	X	X	X	X	X	X	X	X
15	RCOM0064	DOSIFICATION PH + CL	1	-	-	X	-	-	-	X	-
16	RCOM0084	DOSIFICATION PH + CL	1	-	-	-	X	-	-	-	X
22.1	RCOM0001	PRESSURE GAUGE	1	X	X	X	X	X	X	X	X
25	RCOM0083	ELECTRIC HEATER 6 KW	1	X	X	X	X	X	X	X	X
28	RCOM0051	MANEUVER BOX FOR 04015 and 05135 KIT	1	X	X	X	X	X	X	X	X
28.1	RCOM0053	LEVEL PROBES ( 3 PROBES) COMPACT KIT	3	X	X	X	X	X	X	X	X
35	RCOM0029	SELECTOR VALVE	1	X	X	X	X	X	X	X	X
36	19728	OZO COMPACT KIT	1	-	X	-	-	-	X	-	-
37	RCOM0054	SOLENOID VALVE 12V DC	1	X	X	X	X	X	X	X	X
38	RCOM0075	COMPACT KIT BASE 1000X1200	1	X	X	X	X	X	X	X	X
39	RCOM0060	FILTER V 500	1	X	X	X	X	X	X	X	X

According to our policy of continuous improvement, dimensions, features or components of this product can be partially or completely changed without prior notice.  
It's Customer responsibility to verify that this is the last version of the drawing

Connection pipes of: pump to filter and filter to heater are not included.

To fill the sand filter it's necessary to leave free 60cm on the top of the filter.

01				19/09/17				Ricard S.				Update			
Change No.				Date				Name				Modification			
Remarks												COMMERCIAL DRAWING			
Dimensions in mm. General Tolerances +/- 10mm															
Drawn				19/03/14				Ricard S.				Part Number			
Checked												04015			
Scale 1:10				General Tolerance				DIN 7168 ISO 2768g				Rev.			
Sheet 2/4												01			
															
Property of IBERSPA S.L. Avda. Pla d'Urgell 2-8 25200 Cervera, Spain. Don't use without permission. Keep this information confidential and use it solely for the permitted purpose.															





Position Num.	PartNo SPARE	Description SPARE	CANTIDAD	CP000	CP001	CP002	CP006	CP010	CP011	CP012	CP016
2	RCOM0018	FILTRATION PUMP	1	X	X	X	X	-	-	-	-
2A	RCOM0018-A	FILTRATION PUMP KIT 50 60HZ	1	-	-	-	-	X	X	X	X
3	RCOM0021	WATER MASSAGE PUMP (1,5 HP III)	1	X	X	X	X	-	-	-	-
3A	RCOM0021-A	MASSAGE PUMP KIT 75/752M 60HZ	1	-	-	-	-	X	X	X	X
9	RCOM0017	TURBO BLOWER PUMP	1	X	X	X	X	X	X	X	X
15	RCOM0064	DOSIFICATION PH + CL	1	-	-	X	-	-	-	X	-
16	RCOM0084	DOSIFICATION PH + CL	1	-	-	-	X	-	-	-	X
22.1	RCOM0001	PRESSURE GAUGE	1	X	X	X	X	X	X	X	X
26	RCOM0023	ELECTRIC HEATER 6 KW	1	X	X	X	X	X	X	X	X
28	RCOM0051	MANEUVER BOX FOR 04015 and 05135 KIT	1	X	X	X	X	X	X	X	X
28.1	RCOM0053	LEVEL PROBES ( 3 PROBES) COMPACT KIT	3	X	X	X	X	X	X	X	X
35	RCOM0029	SELECTOR VALVE	1	X	X	X	X	X	X	X	X
36	19728	OZO COMPACT KIT	1	-	X	-	-	-	X	-	-
37	RCOM0054	SOLENOID VALVE 12V DC	1	X	X	X	X	X	X	X	X
38	RCOM0075	COMPACT KIT BASE 1000X1200	1	X	X	X	X	X	X	X	X
39	RCOM0060	FILTER V 500	1	X	X	X	X	X	X	X	X

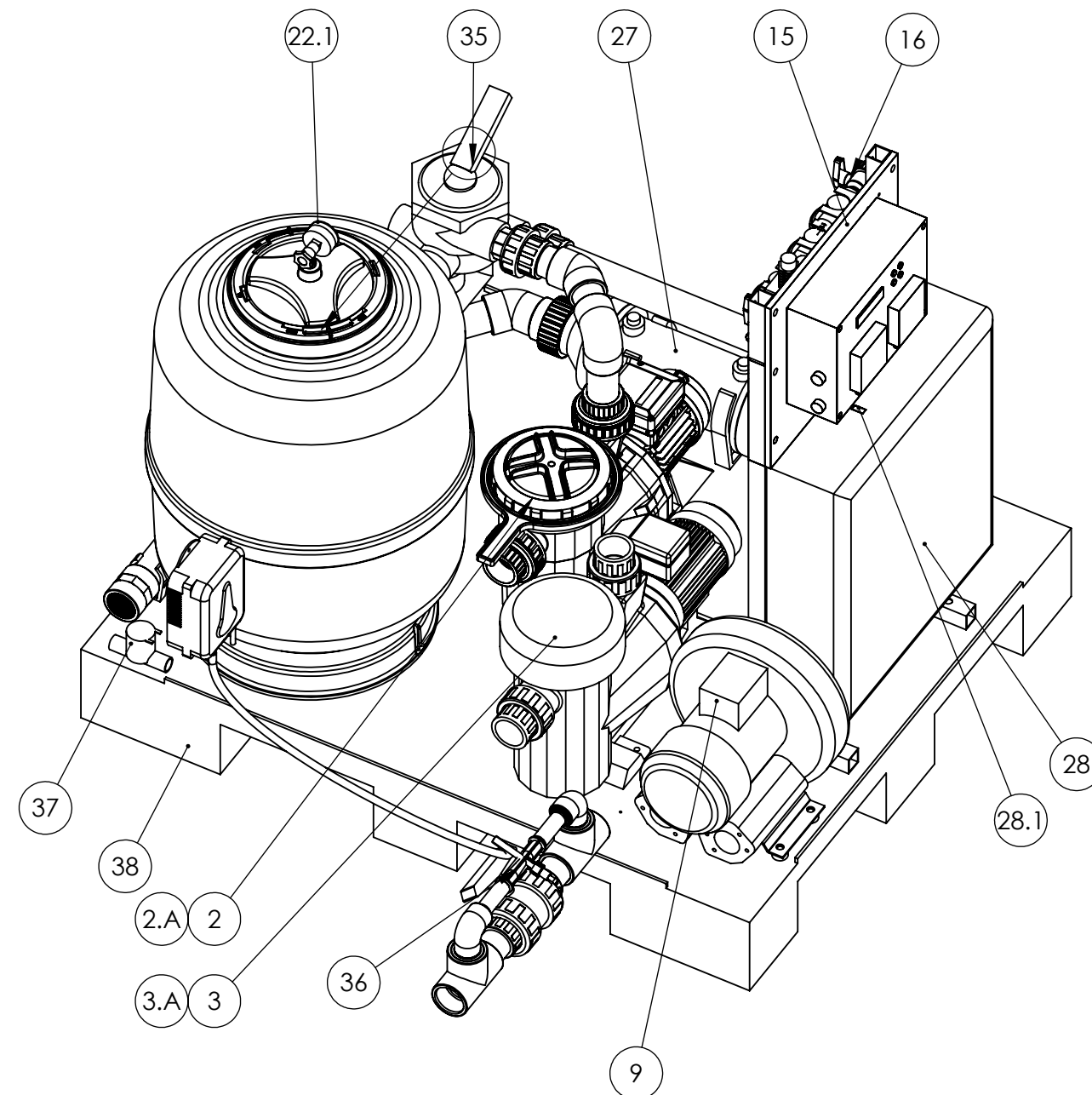
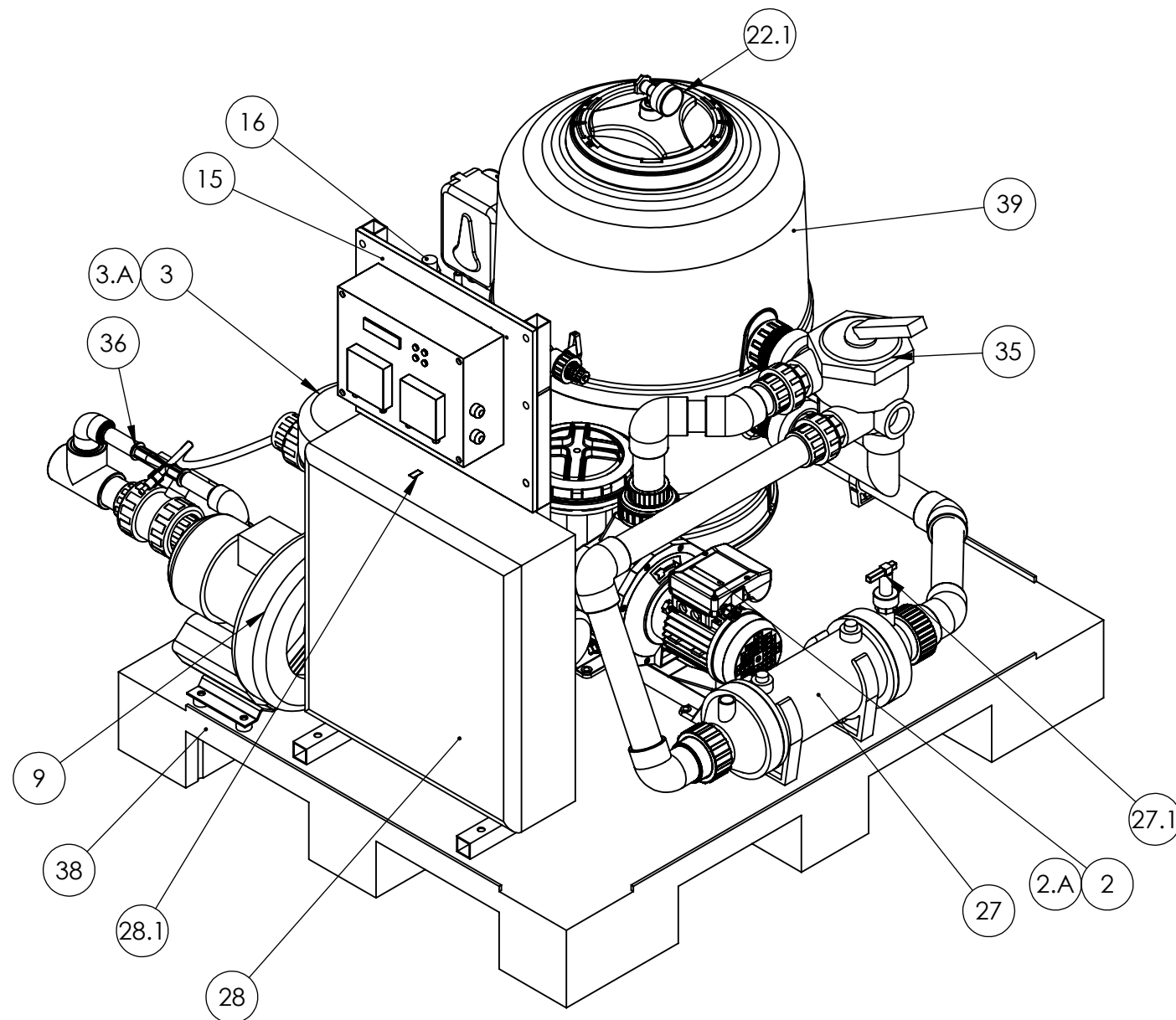
According to our policy of continuous improvement, dimensions, features or components of this product can be partially or completely changed without prior notice.  
It's Customer responsibility to verify that this is the last version of the drawing

Connection pipes of: pump to filter and filter to heater are not included.

To fill the sand filter it's necessary to leave free 60cm on the top of the filter.

Change No.	Date	Name	Modification
Remarks			
Dimensions in mm. General Tolerances +/- 10mm			
Drawn	19/03/2014	X.Codina	
Checked			
Scale 1:10	General Tolerance DIN 7168 ISO 2768g		
Sheet 2/4			
<b>COMMERCIAL DRAWING</b>			
		Part Number <b>04015</b>	Rev. <b>01</b>
		First Angle Projection 	
<small>Property of IBERSPA S.L. Avda. Pla d'Urgell 2-8 25200 Cervera, Spain. Don't use without permission. Keep this information confidential and use it solely for the permitted purpose.</small>			






Position Num.	PartNo SPARE	Description SPARE	CANTIDA D	CP003	CP004	CP005	CP007	CP013	CP014	CP015	CP017
2	RCOM0018	FILTRATION PUMP	1	X	X	X	X	-	-	-	-
2A	RCOM0018-A	FILTRATION PUMP KIT 50 60HZ	1	-	-	-	-	X	X	X	X
3	RCOM0021	WATER MASSAGE PUMP (1,5 HP III)	1	X	X	X	X	-	-	-	-
3A	RCOM0021-A	MASSAGE PUMP KIT 75/752M 60HZ	1	-	-	-	-	X	X	X	X
9	RCOM0017	TURBO BLOWER PUMP	1	X	X	X	X	X	X	X	X
15	RCOM0064	DOSIFICATION PH + CL	1	-	-	X	-	-	-	X	-
16	RCOM0084	DOSIFICATION PH + CL	1	-	-	-	X	-	-	-	X
22.1	RCOM0001	PRESSURE GAUGE	1	X	X	X	X	X	X	X	X
27	RCOM0069	HEAT EXCHANGER 20KW	1	X	X	X	X	X	X	X	X
27.1	RCOM0066	SECURITY FLOW SENSOR FOR HEATER EXCHANGER	1	X	X	X	X	X	X	X	X
28	RCOM0051	MANEUVER BOX FOR 04015 and 05135 KIT	1	X	X	X	X	X	X	X	X
28.1	RCOM0053	LEVEL PROBES ( 3 PROBES) COMPACT KIT	3	X	X	X	X	X	X	X	X
35	RCOM0029	SELECTOR VALVE	1	X	X	X	X	X	X	X	X
36	19728	OZO COMPACT KIT	1	-	X	-	-	-	X	-	-
37	RCOM0054	SOLENOID VALVE 12V DC	1	X	X	X	X	X	X	X	X
38	RCOM0075	COMPACT KIT BASE 1000X1200	1	X	X	X	X	X	X	X	X
39	RCOM0060	FILTER V 500	1	X	X	X	X	X	X	X	X

According to our policy of continuous improvement, dimensions, features or components of this product can be partially or completely changed without prior notice.  
It's Customer responsibility to verify that this is the last version of the drawing

Connection pipes of: pump to filter and filter to heater are not included.

To fill the sand filter it's necessary to leave free 60cm on the top of the filter.

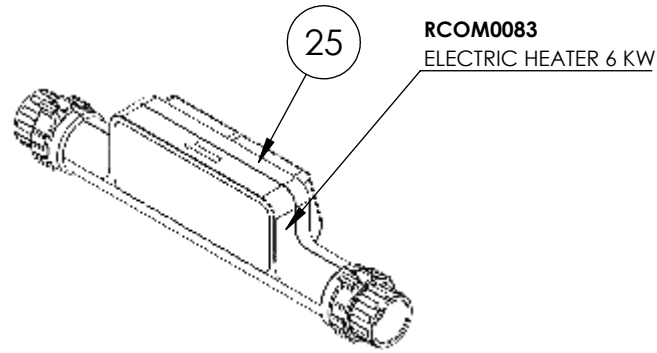
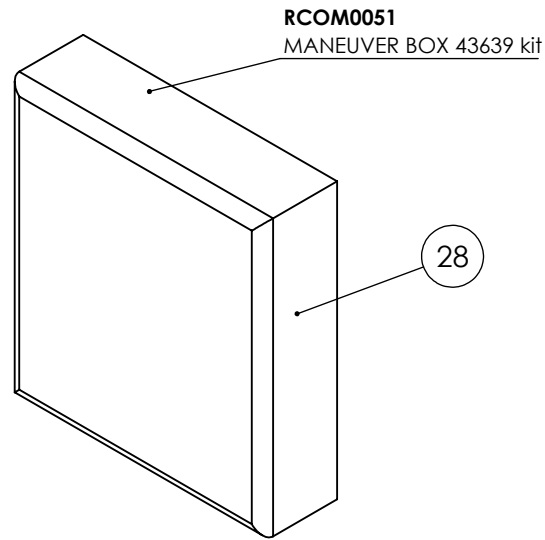
01	20/09/17	Ricard S	Update
Change No.	Date	Name	Modification
Remarks			COMMERCIAL DRAWING
Dimensions in mm. General Tolerances +/- 10mm			
Drawn	19/03/2014	X.Codina	
Checked			
Scale 1:10	General Tolerance DIN 7168 ISO 2768g		
Sheet 3/4			
Property of IBERSPA S.L. Avda. Pla d'Urgell 2-8 25200 Cervera, Spain. Don't use without permission. Keep this information confidential and use it solely for the permitted purpose.			

04015

Rev. 01

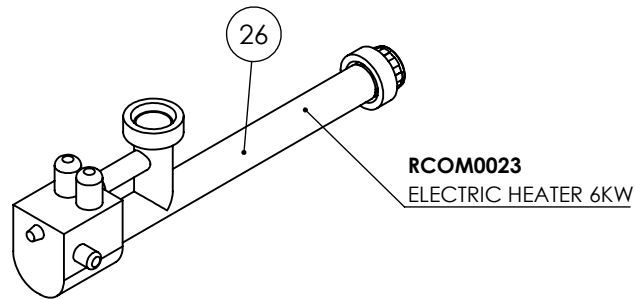
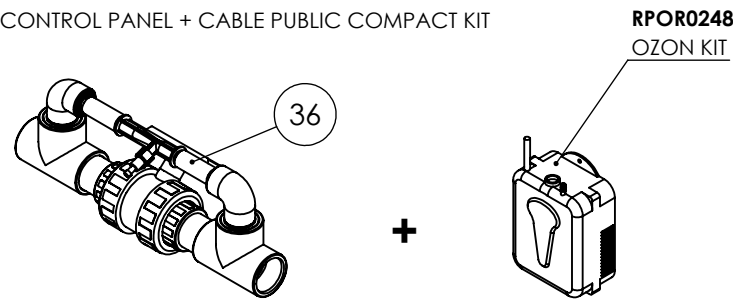
First Angle Projection

**HEATER AND DESINFECTION SPARE**



RCOM0083-B - FLOW SWITCH HEATER COMPACT  
 RCOM0010 - SECURITY THERMOSTAT  
 RCOM0083-A - ELECTRICAL RESISTANCE 2 kW  
 RCOM0052 - TEMPERATURE PROBES COMPACT KIT

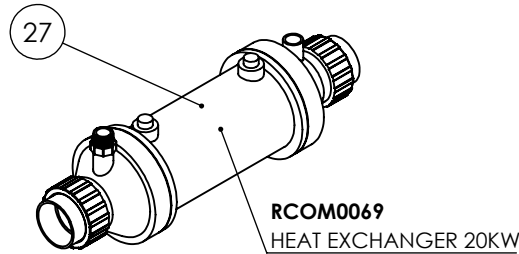
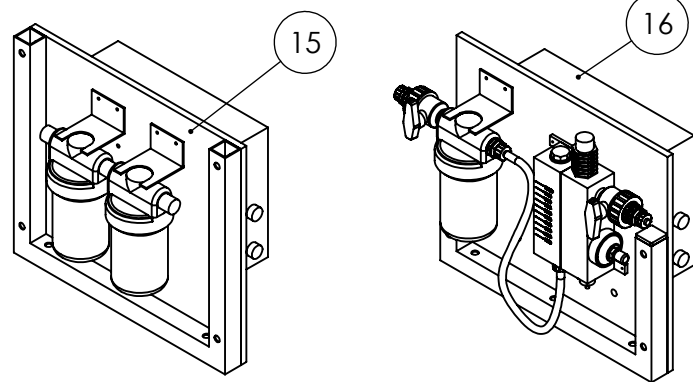
RCOM0056 - ELECTRONIC CARD PUBLIC COMPACT KITS  
 RCOM0057 - TRANSFORMER 60VA PUBLIC COMPACT KITS  
 RCOM0058 - TRANSFORMER 100VA KITS HEATER EXCHANGER  
 RCOM0059 - CONTROL PANEL + CABLE PUBLIC COMPACT KIT



RCOM0009 - SECURITY FLOW SENSOR  
 RCOM0010 - SECURITY THERMOSTAT  
 08757R0100 - INTERNAL 6KW HEATER SPARE PART (III-PHAS)  
 RCOM0052 - TEMPERATURE PROBES COMPACT KIT

(ONLY MODEL CP001 - CP004 - CP011 - CP014)

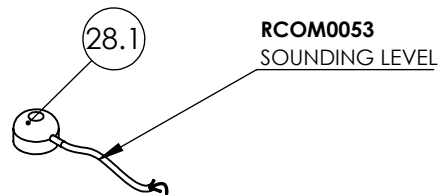
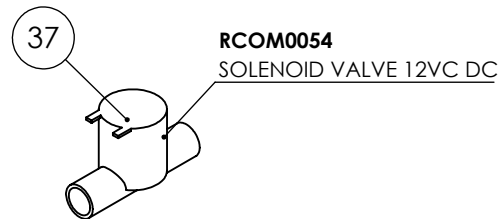
(ONLY MODEL CP000-CP001-CP002-CP006  
 CP010-CP011-CP012-CP016)



RCOM0066 - SECURITY FLOW SENSOR FOR HEATER EXCHANGER  
 RCOM0052 - TEMPERATURE PROBES COMPACT KIT

(ONLY MODEL CP003-CP004-CP005-CP007  
 CP013-CP014-CP015-CP017)

RCOM0067 - INJECTION COUPLING IN PVC  
 RCOM0068 - SANTOPRENE TUBE 0,4L/H WITH COUPLING  
 RCOM0072 - PERI PUMP HEAD BLU 230V  
 RCOM0064-A - WASHABLE FILTER  
 RCOM0064-B - FILTER HOLDER CUP  
 RCOM0064-C - ELECTRODE HOLDER CUP  
 RPOR0212 - ELECTRODE PH  
 RPOR0213 - ELECTRODE RX



According to our policy of continuous improvement, dimensions, features or components of this product can be partially or completely changed without prior notice.

It's Customer responsibility to verify that this is the last version of the drawing

Connection pipes of: pump to filter and filter to heater are not included.

To fill the sand filter it's necessary to leave free 60cm on the top of the filter.

Position Num.	PartNo SPARE	Description SPARE	CANTIDAD	CP000	CP001	CP002	CP006	CP010	CP011	CP012	CP016
2	RCOM0018	FILTRATION PUMP	1	X	X	X	X	-	-	-	-
3	RCOM0021	WATER MASSAGE PUMP (1,5 HP III)	1	-	-	-	-	X	X	X	X
2A	RCOM0018-A	FILTRATION PUMP KIT 50 60HZ	1	X	X	X	X	-	-	-	-
3A	RCOM0021-A	MASSAGE PUMP KIT 75/752M 60HZ	1	-	-	-	-	X	X	X	X
9	RCOM0017	TURBO BLOWER PUMP	1	X	X	X	X	X	X	X	X
15	RCOM0064	DOSIFICATION PH + CL	1	-	-	X	-	-	-	X	-
16	RCOM0084	DOSIFICATION PH + CL	1	-	-	-	X	-	-	-	X
22.1	RCOM0001	PRESSURE GAUGE	1	X	X	X	X	X	X	X	X
25	RCOM0083	ELECTRIC HEATER 6 KW	1	X	X	X	X	X	X	X	X
26	RCOM0023	ELECTRIC HEATER 6 KW	1	X	X	X	X	X	X	X	X
28	RCOM0051	MANEUVER BOX FOR 04015 and 05135 KIT	1	X	X	X	X	X	X	X	X
28.1	RCOM0053	LEVEL PROBES ( 3 PROBES) COMPACT KIT	3	X	X	X	X	X	X	X	X
35	RCOM0029	SELECTOR VALVE	1	X	X	X	X	X	X	X	X
36	19728	OZO COMPACT KIT	1	-	X	-	-	-	X	-	-
37	RCOM0054	SOLENOID VALVE 12V DC	1	X	X	X	X	X	X	X	X
38	RCOM0075	COMPACT KIT BASE 1000X1200	1	X	X	X	X	X	X	X	X
39	RCOM0060	FILTER V 500	1	X	X	X	X	X	X	X	X

Position Num.	PartNo SPARE	Description SPARE	CANTIDAD	CP003	CP004	CP005	CP007	CP013	CP014	CP015	CP017
2	RCOM0018	FILTRATION PUMP	1	X	X	X	X	-	-	-	-
3	RCOM0021	WATER MASSAGE PUMP (1,5 HP III)	1	-	-	-	-	X	X	X	X
9	RCOM0017	TURBO BLOWER PUMP	1	X	X	X	X	-	-	-	-
2A	RCOM0018-A	FILTRATION PUMP KIT 50 60HZ	1	-	-	-	-	X	X	X	X
3A	RCOM0021-A	MASSAGE PUMP KIT 75/752M 60HZ	1	X	X	X	X	X	X	X	X
15	RCOM0064	DOSIFICATION PH + CL	1	-	-	X	-	-	-	X	-
16	RCOM0084	DOSIFICATION PH + CL	1	-	-	-	X	-	-	-	X
22.1	RCOM0001	PRESSURE GAUGE	1	X	X	X	X	X	X	X	X
27	RCOM0069	HEAT EXCHANGER 20KW	1	X	X	X	X	X	X	X	X
27.1	RCOM0066	SECURITY FLOW SENSOR FOR HEATER EXCHANGER	1	X	X	X	X	X	X	X	X
28	RCOM0051	MANEUVER BOX FOR 04015 and 05135 KIT	1	X	X	X	X	X	X	X	X
28.1	RCOM0053	LEVEL PROBES ( 3 PROBES) COMPACT KIT	3	X	X	X	X	X	X	X	X
35	RCOM0029	SELECTOR VALVE	1	X	X	X	X	X	X	X	X
36	19728	OZO COMPACT KIT	1	-	X	-	-	-	X	-	-
37	RCOM0054	SOLENOID VALVE 12V DC	1	X	X	X	X	X	X	X	X
38	RCOM0075	COMPACT KIT BASE 1000X1200	1	X	X	X	X	X	X	X	X
39	RCOM0060	FILTER V 500	1	X	X	X	X	X	X	X	X

01	20/09/17	Ricard S.	Update
Change No.	Date	Name	Modification
Remarks			
Dimensions in mm. General Tolerances +/- 10mm			
Drawn	19/03/2014	X. Codina	
Checked			
Scale 1:10	General Tolerance DIN 7168 ISO 2768g		
Sheet 4/4			
		COMMERCIAL DRAWING	
		Part Number	Rev.
		04015	01
Property of IBERSPA S.L. Avda. Pla d'Urgell 2-8 25200 Cervera, Spain. Don't use without permission. Keep this information confidential and use it solely for the permitted purpose.			