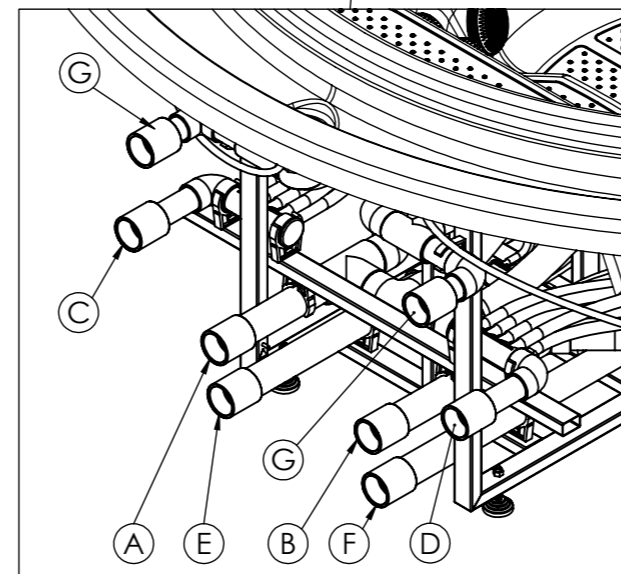
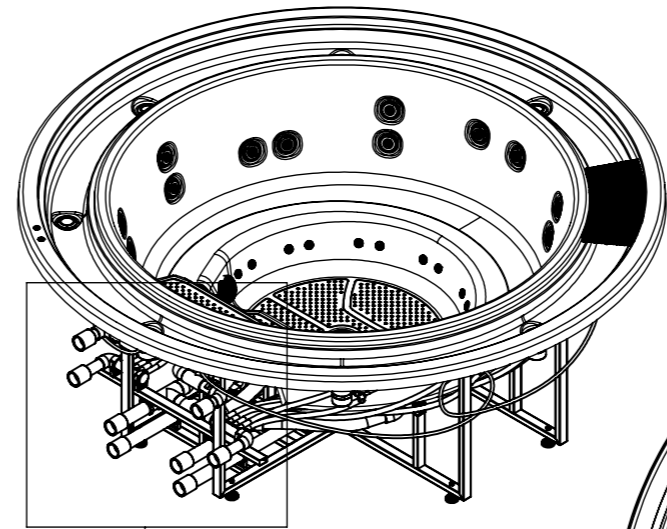
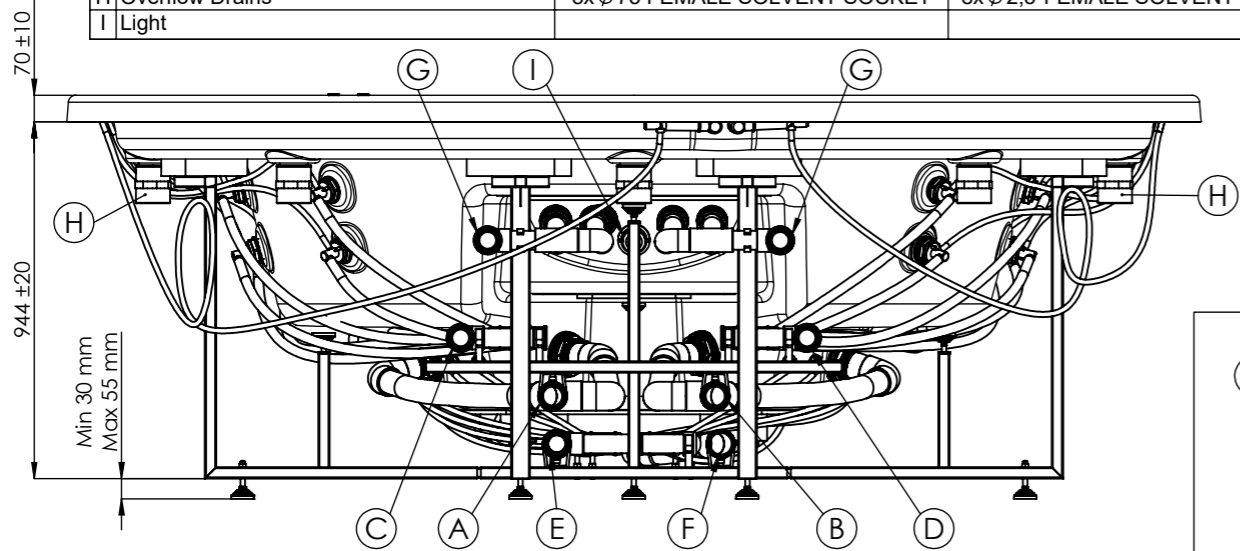
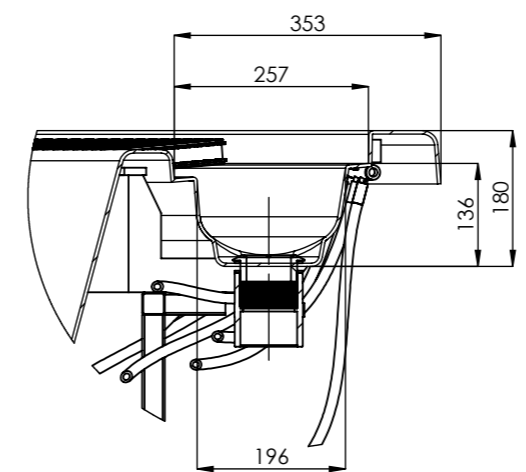


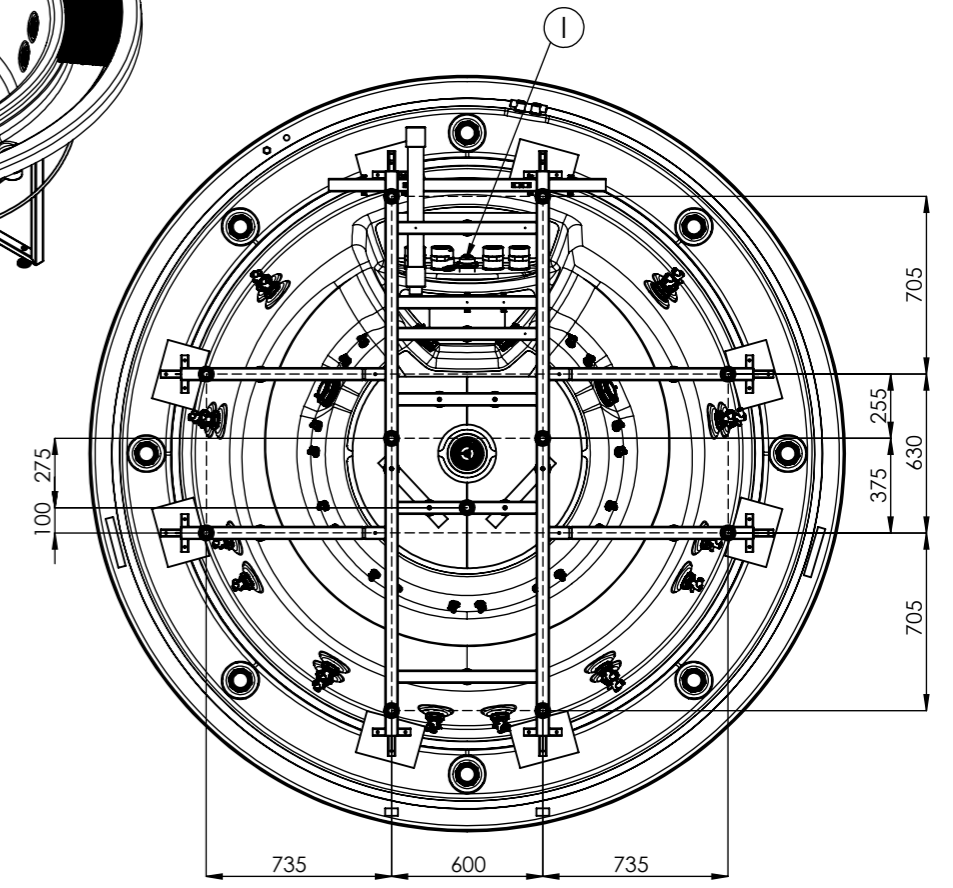
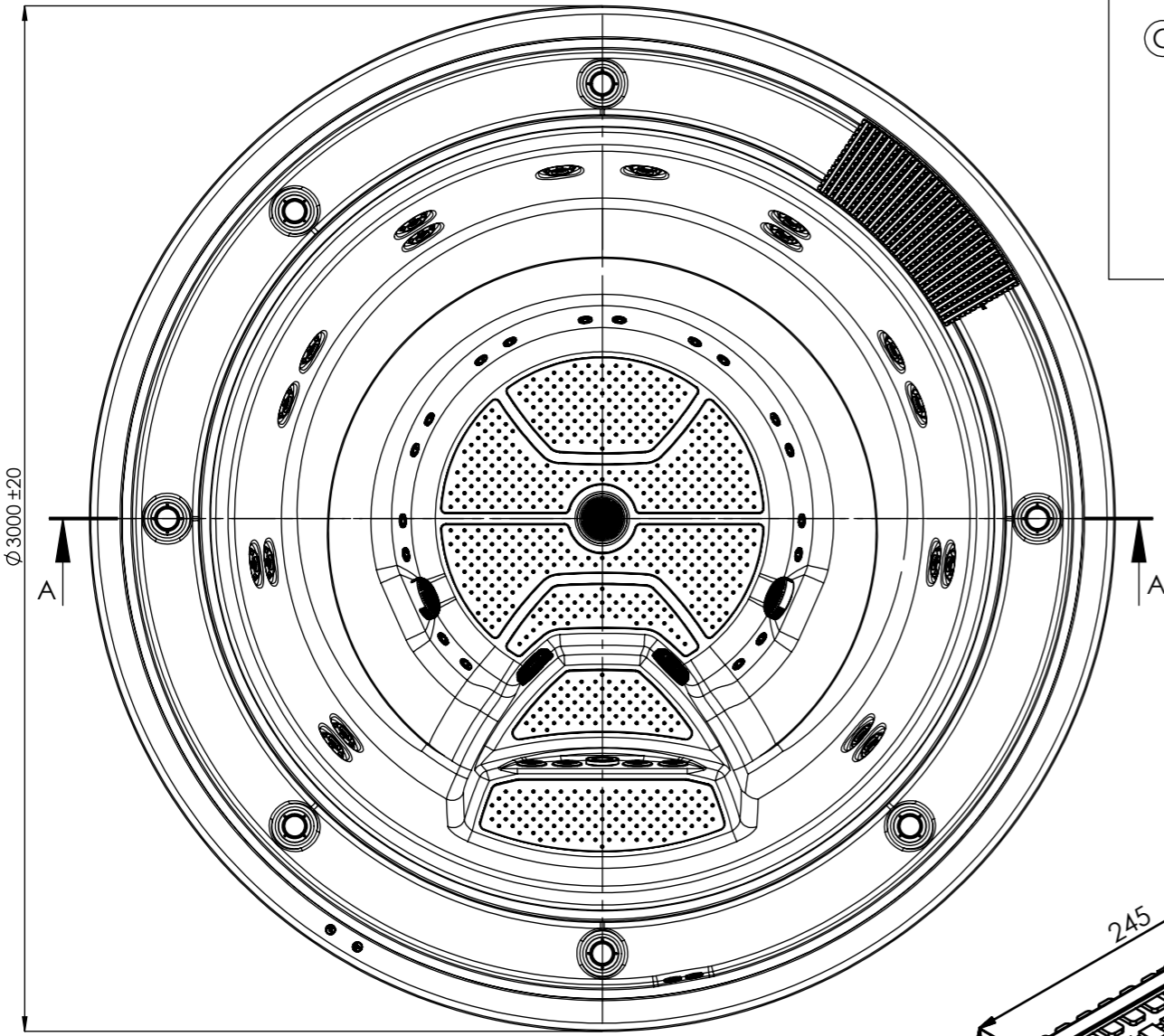
	40769	43742
A Suction-Water Massage Pump 1	1x Ø63 FEMALE SOLVENT SOCKET	1x Ø2" FEMALE SOLVENT SOCKET
B Suction-Water Massage Pump 2	1x Ø63 FEMALE SOLVENT SOCKET	1x Ø2" FEMALE SOLVENT SOCKET
C Return-Water Massage Pump 1	1x Ø63 FEMALE SOLVENT SOCKET	1x Ø2" FEMALE SOLVENT SOCKET
D Return-Water Massage Pump 2	1x Ø63 FEMALE SOLVENT SOCKET	1x Ø2" FEMALE SOLVENT SOCKET
E Return-Air Massage	1x Ø63 FEMALE SOLVENT SOCKET	1x Ø2" FEMALE SOLVENT SOCKET
F Suction/Return-Filtration Pump Bottom Spa	1x Ø63 FEMALE SOLVENT SOCKET	1x Ø2" FEMALE SOLVENT SOCKET
G Return-Filtration Pump Inlets	2x Ø63 FEMALE SOLVENT SOCKET	2x Ø2" FEMALE SOLVENT SOCKET
H Overflow Drains	8x Ø75 FEMALE SOLVENT SOCKET	8x Ø2,5" FEMALE SOLVENT SOCKET
I Light		



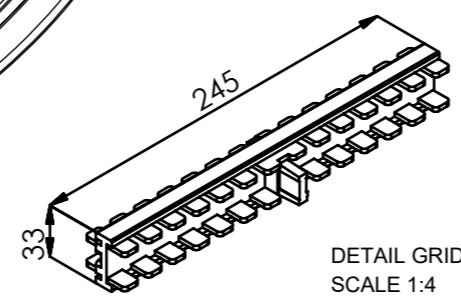
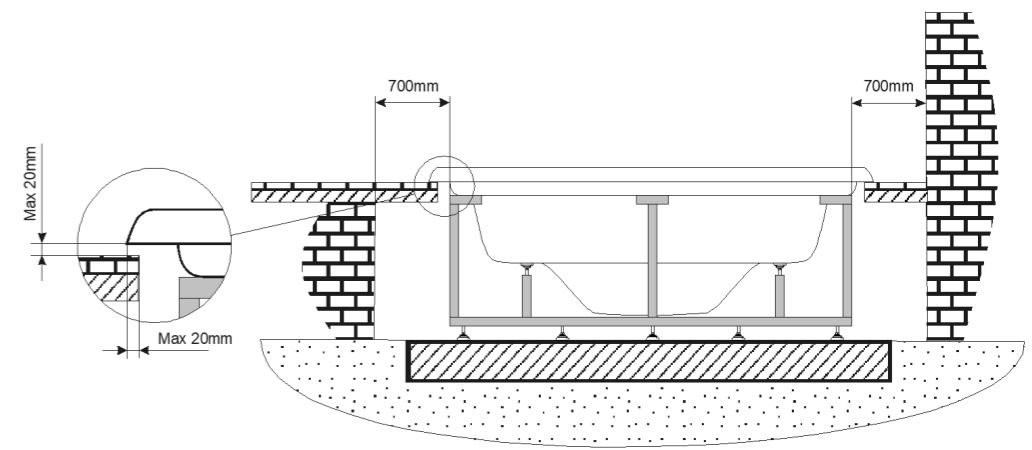
L (1 : 15)



B (1 : 10)



**WARNING:** It's essential to keep a minimum clearance access of 700mm all around.



DETAIL GRID SCALE 1:4

↑ ↑  
HYDRAULIC CONNECTIONS ACCESS

Change No.	Date	Name	Modification
04	25/06/2020	A.Miquel	New spa mould 2020
03	17/02/2016	I.Pozo	Dimensions, change light and drain
02	12/06/2014	I.Pozo	New templates
01	30/09/2009	M.Freixes	Update regulators feet, max and min height
00	09/03/2009	C.García	Creation drawing

Remarks Dimensions in mm. General Tolerances +/- 10mm			COMMERCIAL		
Drawn	27/11/2018	A.Miquel	Part Number <b>40769</b> <b>43742</b>	Rev. <b>04</b>	First Angle Projection
Checked	27/11/2018	V.Saiz			
Scale	1:20				
Sheet	1/3				
General Tolerance DIN 7168 ISO 2768g					

According to our policy of continuous improvement, dimensions, features or components of this product can be partially or completely changed without prior notice.  
It's Customer responsibility to verify that this is the last version of the drawing