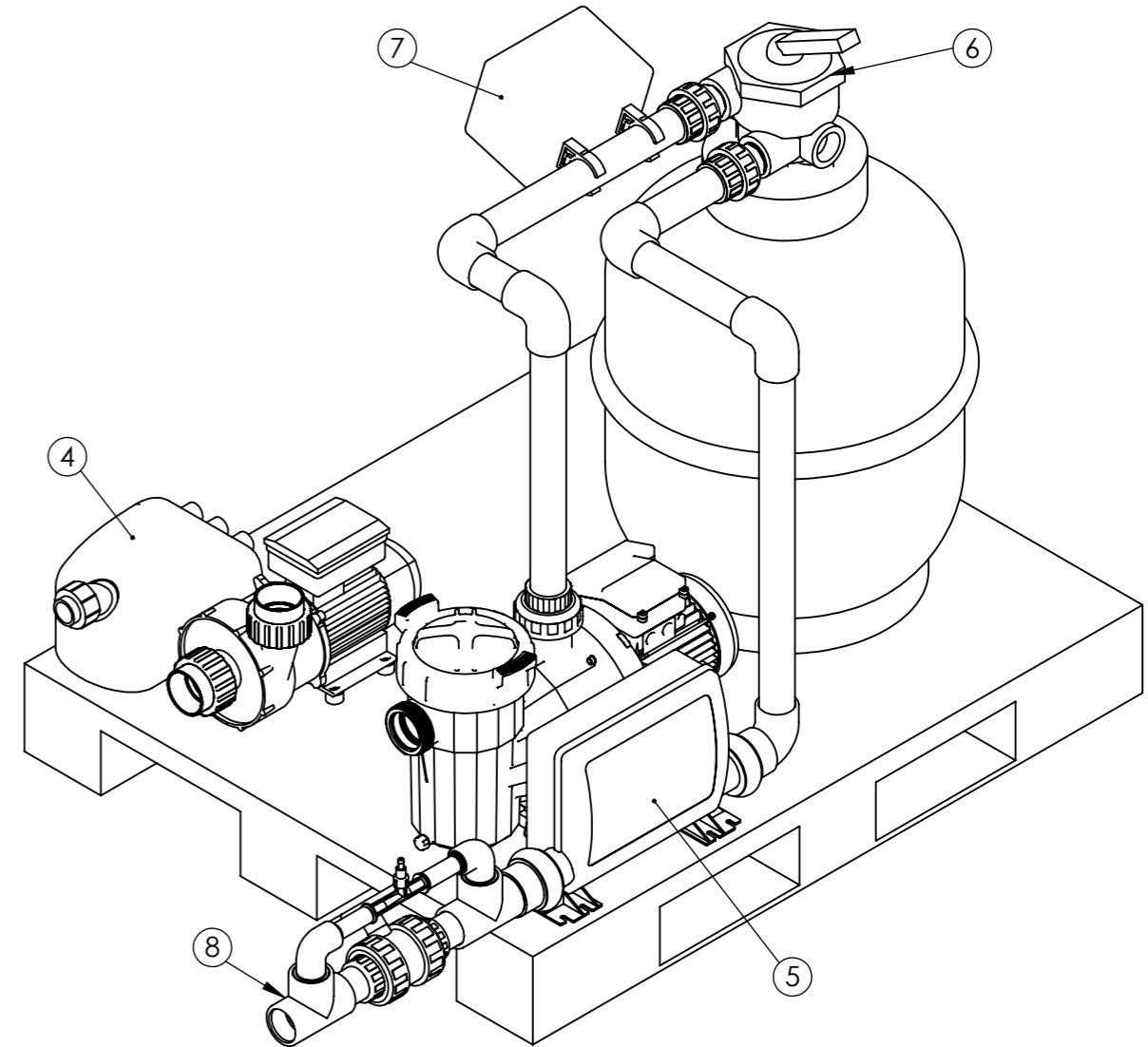




| STANDARD COMPONENTS | |
|---------------------|-----------------|
| 1 | FILTER |
| 2 | MASSAGE PUMP |
| 3 | FILTRATION PUMP |
| 4 | BLOWER PUMP |
| 5 | ELECTRIC BOX |
| 6 | SELECTOR VALVE |
| 7 | CONTROL BOX |

| OPTIONAL COMPONENTS | |
|---------------------|-------------------|
| 8 | OZONE COMPACT KIT |



According to our policy of continuous improvement, dimensions, features or components of this product can be partially or completely changed without prior notice.
It's Customer responsibility to verify that this is the last version of the drawing

To fill the sand filter it's necessary to leave free 60cm on the top of the filter.

| | | | |
|---|------------|--------------------|--|
| 01 | 26/05/2020 | A.Miquel | Updated components 2020. |
| Change No. | Date | Name | Modification |
| Remarks | | | COMMERCIAL DRAWING |
| Dimensions in mm. General Tolerances +/- 10mm | | | |
| Drawn | 14/04/2014 | X.Codina |  |
| Checked | | -- | |
| Scale | 1:15 | General Tolerance | Part Number 41993 |
| Sheet | 1/1 | DIN 7168 ISO 2768g | |
| | | | Rev. 01 |
| | | | First Angle Projection  |