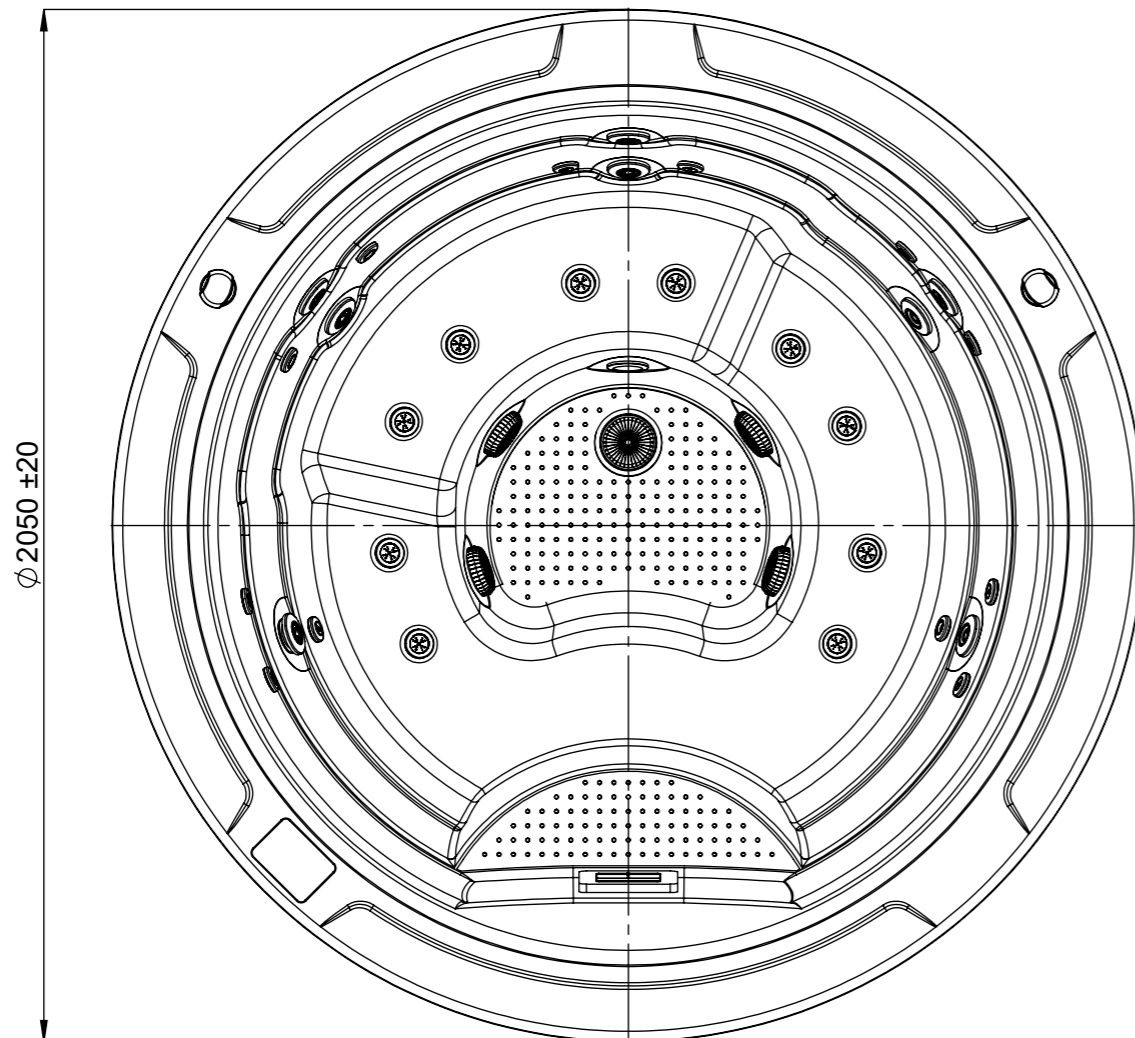
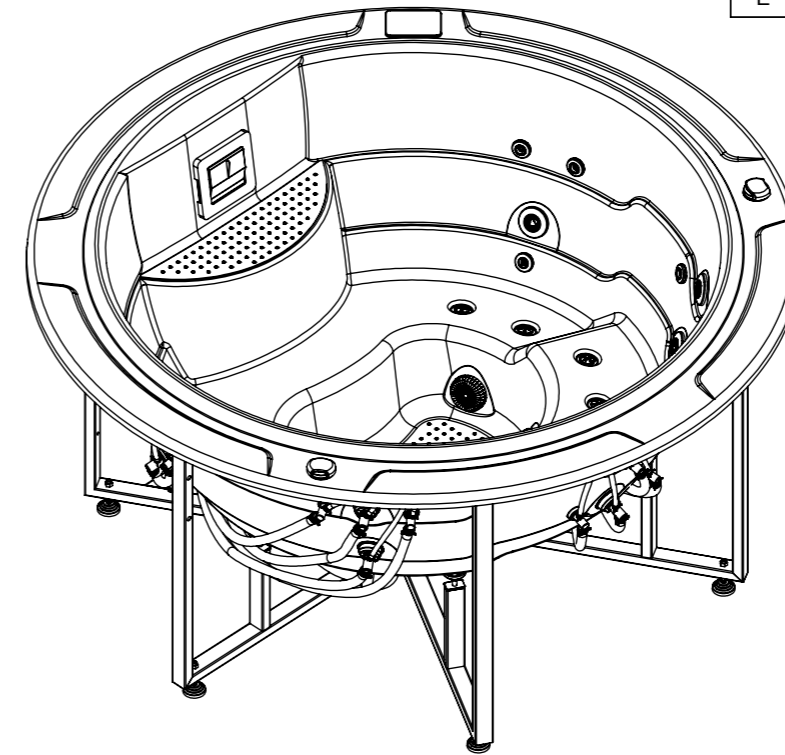
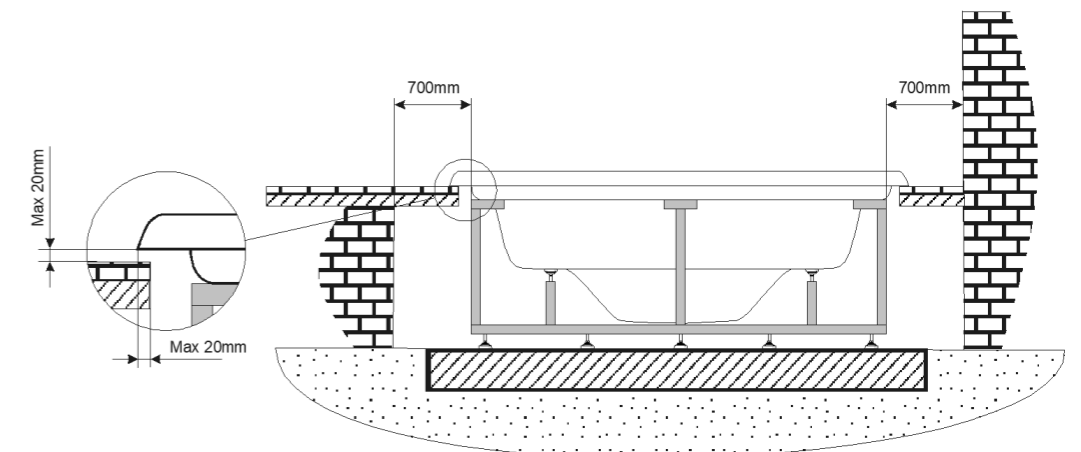


A	Suction-Water Massage Pump 1	Ø 63 FEMALE SOCKET
B	Return-Water Massage Pump 1	Ø 63 FEMALE SOCKET
C	Return-Air Massage	Ø 50 FEMALE SOCKET
D	Suction-Filtration Pump Bottom Spa	Ø 63 FEMALE SOCKET
E	Return-Filtration Pump Inlets	Ø 63 FEMALE SOCKET



WARNING:
It's essential to keep a minimum clearance access of **700mm** all around.



According to our policy of continuous improvement, dimensions, features or components of this product can be partially or completely changed without prior notice.
It's Customer responsibility to verify that this is the last version of the drawing

08	02/10/2020	A.Miquel	Sumidero de seguridad añadido.
07	19/02/2020	A.Miquel	Spa geometry changed.
06	08/01/2019	D.Castillo	Spa weight added.
05	12/11/2018	A.Miquel	Jets (CMP) changed
04	08/05/2017	O. Faura	Changing of electronic parts references.
Change No.	Date	Name	Modification

Remarks
Dimensions in mm. General Tolerances +/- 10mm

Drawn	22/12/2009	M.Freixes	ASTRALPOOL	Part Number 49859	Rev. 08	First Angle Projection
Checked	-	I.Nicolas				
Scale	1:15	General Tolerance DIN 7168 ISO 2768g				
Sheet	1/1					

General specifications	
Spa weight (empty)	132 Kg
Spa weight (full)	812 Kg

↑ ↑
HYDRAULIC CONNECTIONS ACCESS