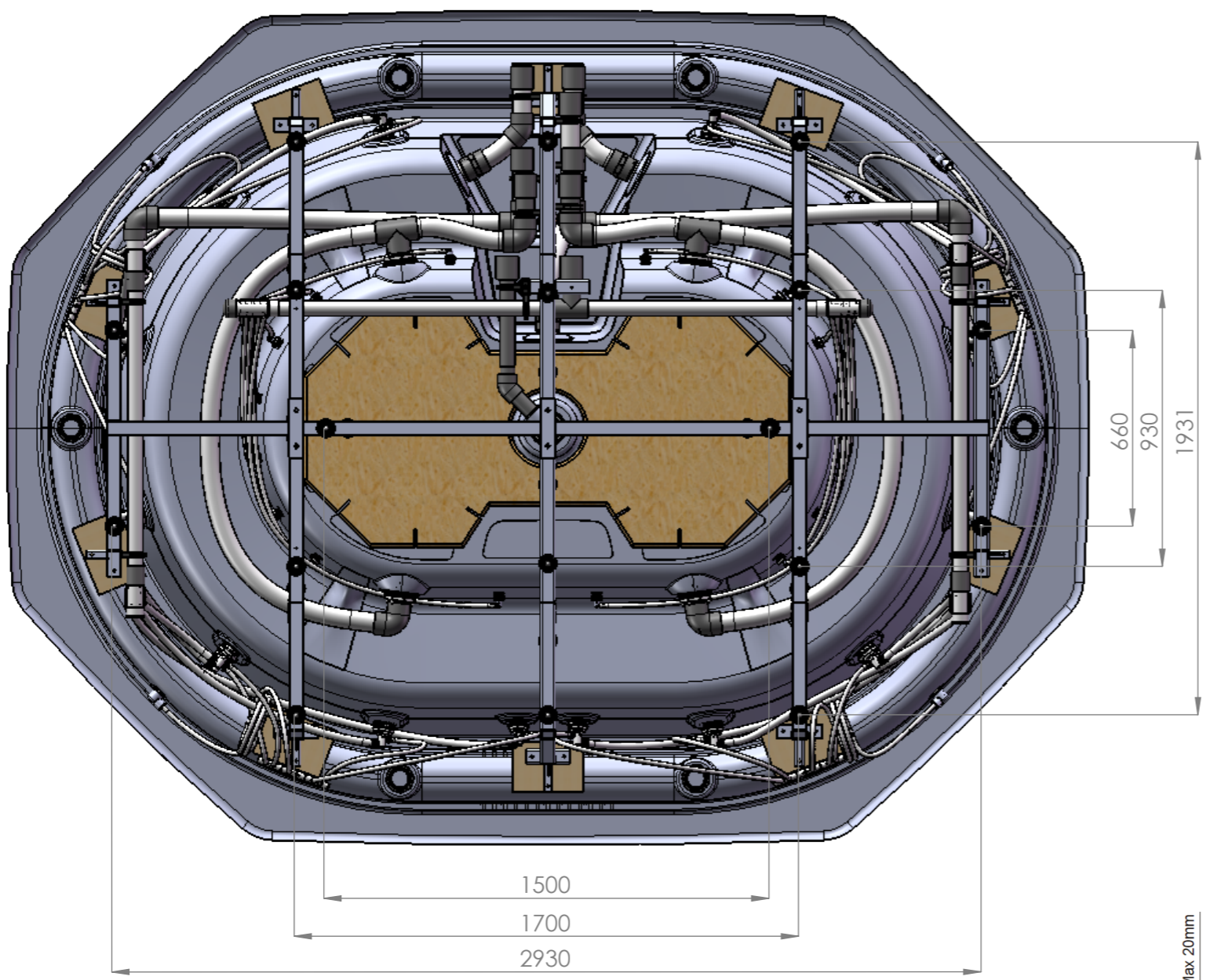


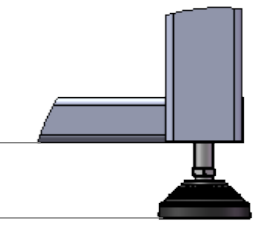


A	Suction-Water Massage Pump 1	Ø63 FEMALE THREAD
B	Suction-Water Massage Pump 2	Ø63 FEMALE THREAD
C	Return-Water Massage Pump 1	Ø63 FEMALE THREAD
D	Return-Water Massage Pump 2	Ø63 FEMALE THREAD
E	Return-Air Massage	Ø63 FEMALE THREAD
F	Suction/Return-Filtration Pump Bottom Spa	Ø63 FEMALE THREAD
G	Return-Filtration Pump Inlets (2x)	Ø63 FEMALE THREAD
H	Overflow Drains	Ø75 FEMALE THREAD
I	Light (Optional)	Optional

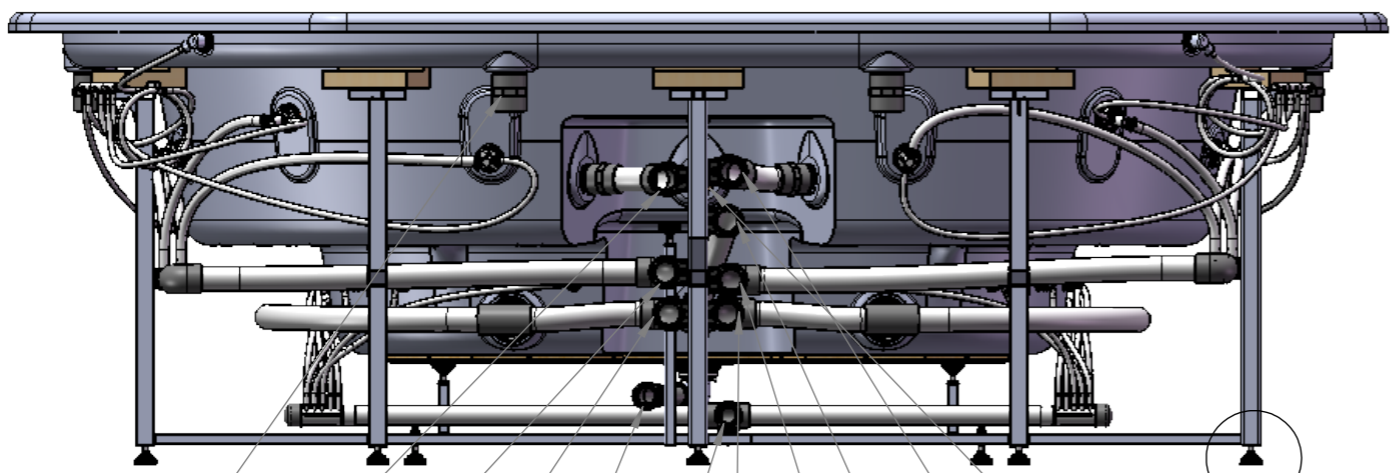
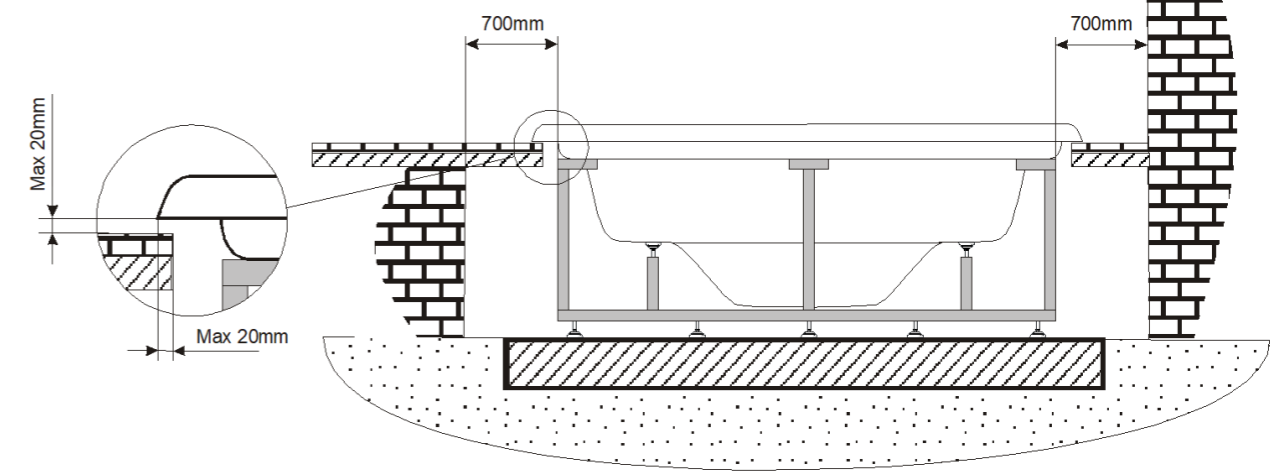


**A (1 : 5)**

30 mm min  
55 mm max



**WARNING:**  
It's essential to keep a minimum clearance access of **700mm** all around.



According to our policy of continuous improvement, dimensions, features or components of this product can be partially or completely changed without prior notice.  
It's Customer responsibility to verify that this is the last version of the drawing

Change No.				Date				Name				Modification							
Remarks												COMMERCIAL							
Dimensions in mm. General Tolerances +/- 10mm												Part Number							
Drawn												11/06/2020				C.Fernandez			
Checked												11/06/2020				X.Codina			
Scale 1:20												General Tolerance				IBERSPA			
Sheet 2/3												DIN 7168 ISO 2768g				73588			
												Rev.				00			
												First Angle Projection							