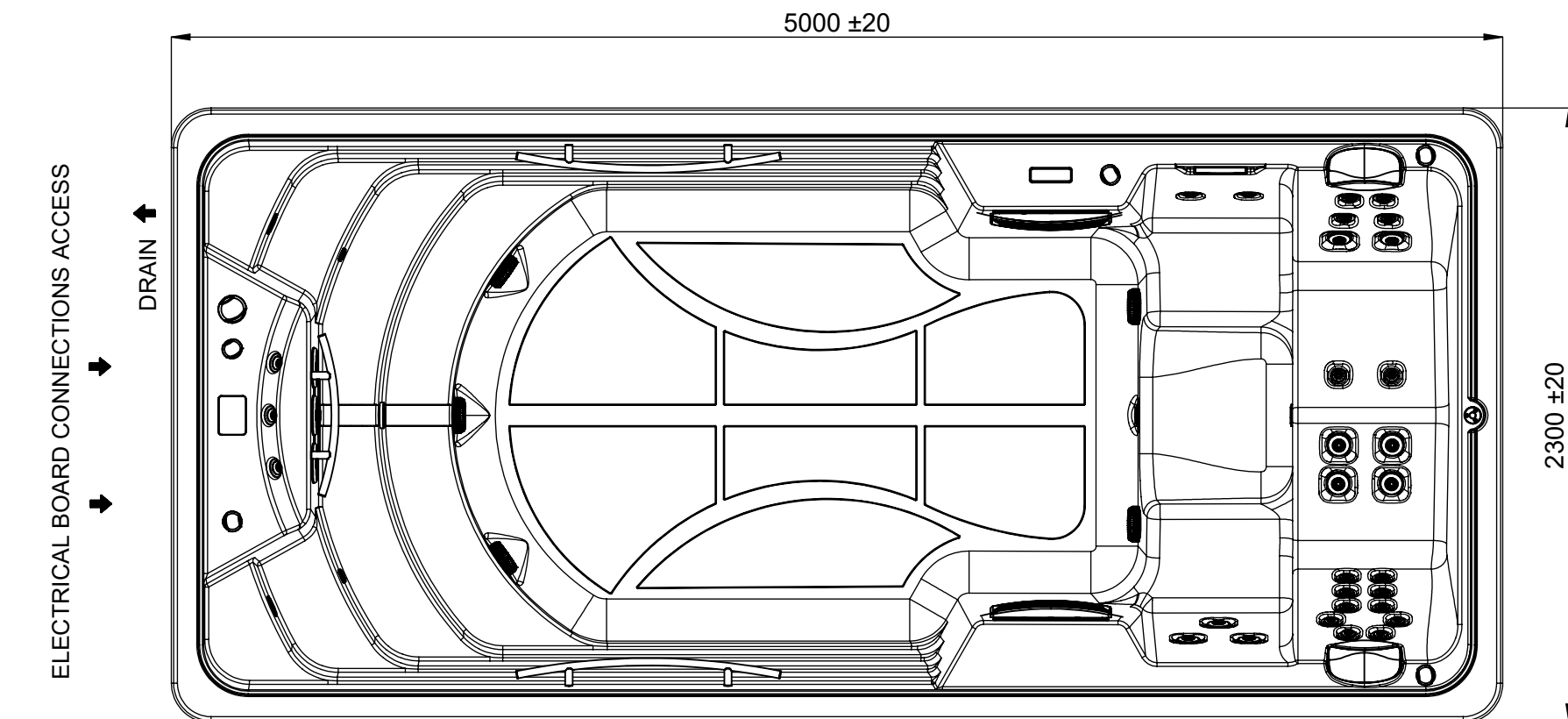
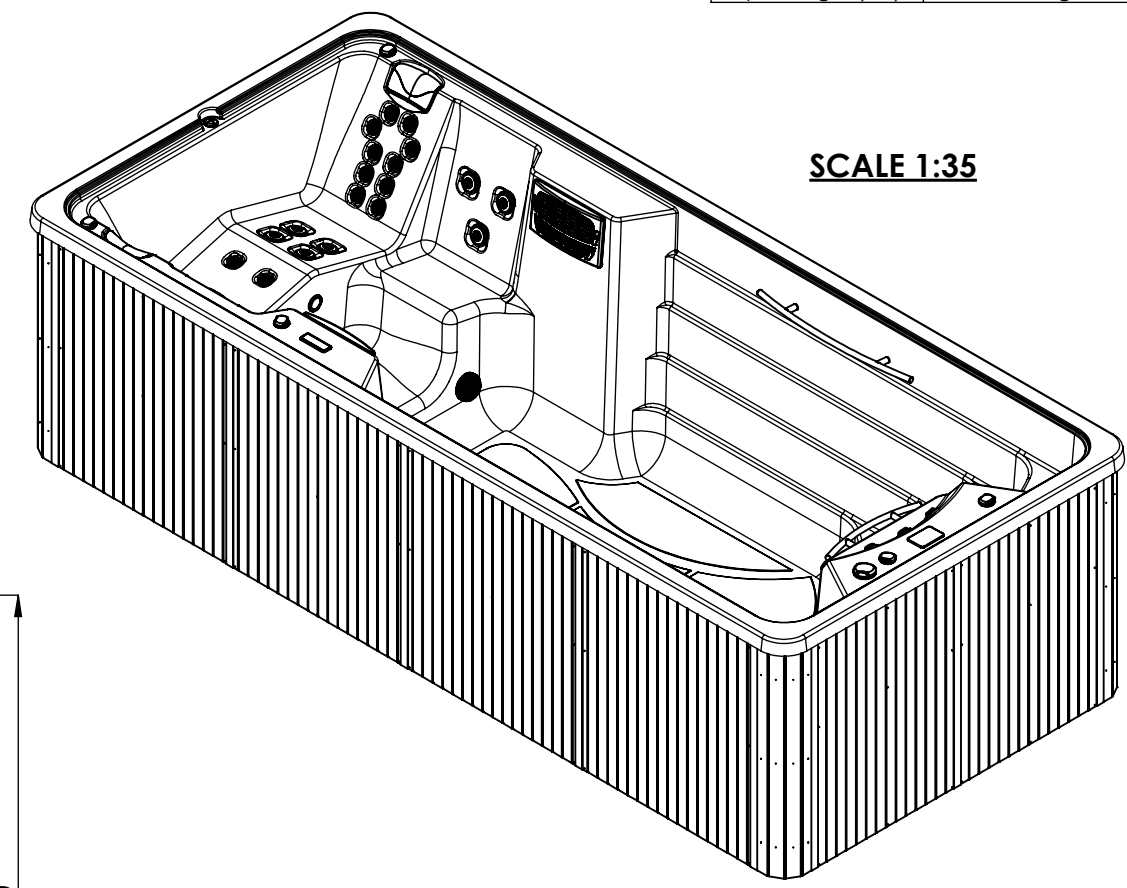
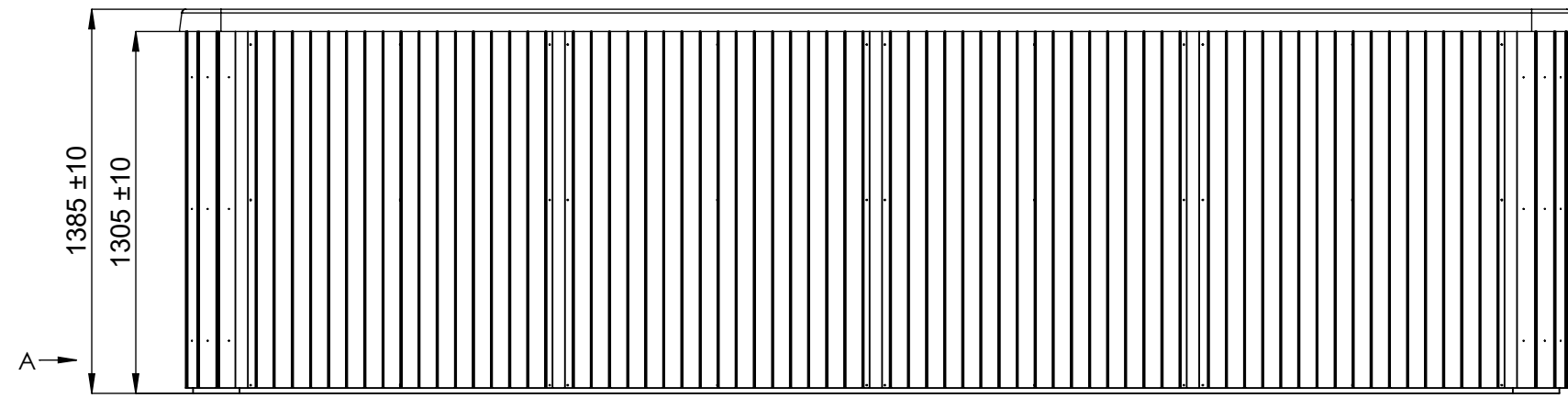
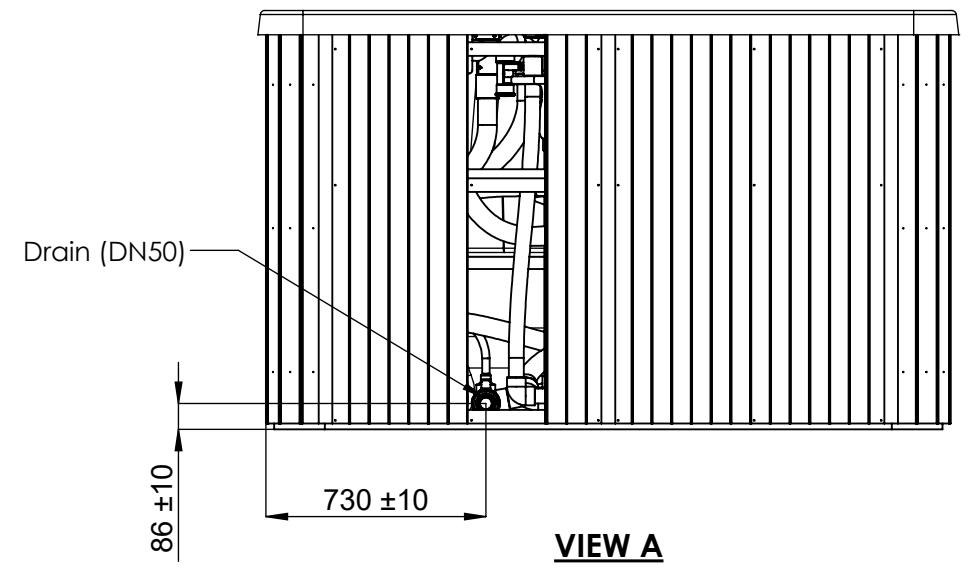
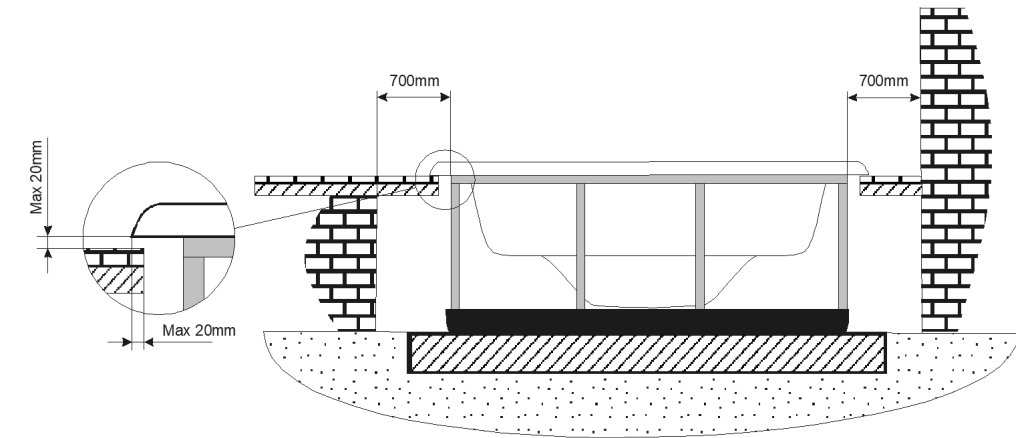


| General specifications | |
|------------------------|----------|
| Spa weight (empty) | 1.200 Kg |
| Spa weight (full) | 9.700 Kg |



WARNING:
It's essential to keep a minimum clearance access of **700mm** all around.



According to our policy of continuous improvement, dimensions, features or components of this product can be partially or completely changed without prior notice. It's Customer responsibility to verify that this is the last version of the drawing

| 06 | 25/08/2020 | ERDS(OF) | Changes due to new spa design |
|---|---|-------------|--------------------------------|
| Change No. | Date | Name | Modification |
| Remarks | | | |
| Dimensions in mm. General Tolerances +/- 10mm | | | COMMERCIAL |
| Drawn | 09/04/2020 | C.Fernandez | Part Number 64414-CL |
| Checked | 09/04/2020 | X.Codina | |
| Scale 1:25 | General Tolerance DIN 7168 ISO 2768g | | Rev. 06 |
| Sheet 1/2 | | | |
| Property of IBERSPA S.L. Avda. Pla d'Urgell 2-8 25200 Cervera, Spain. Don't use without permission. Keep this information confidential and use it solely for the permitted purpose. | | | First Angle Projection |