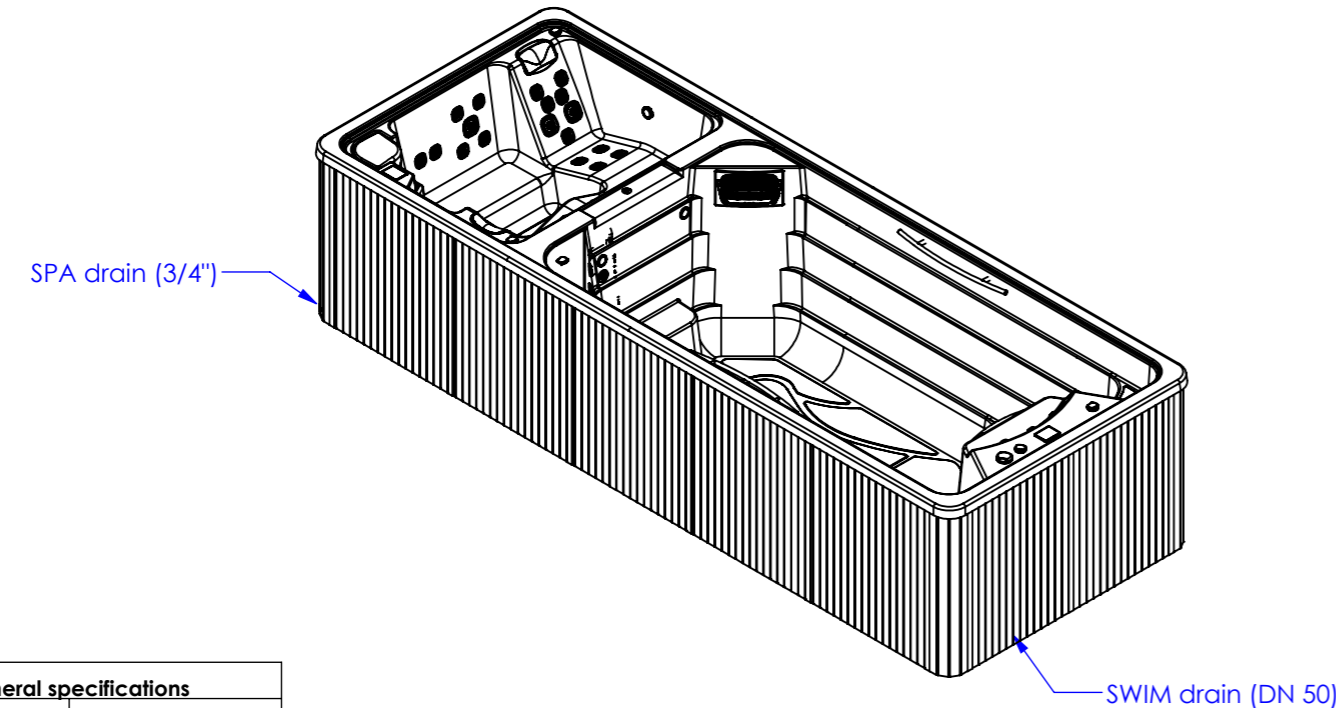
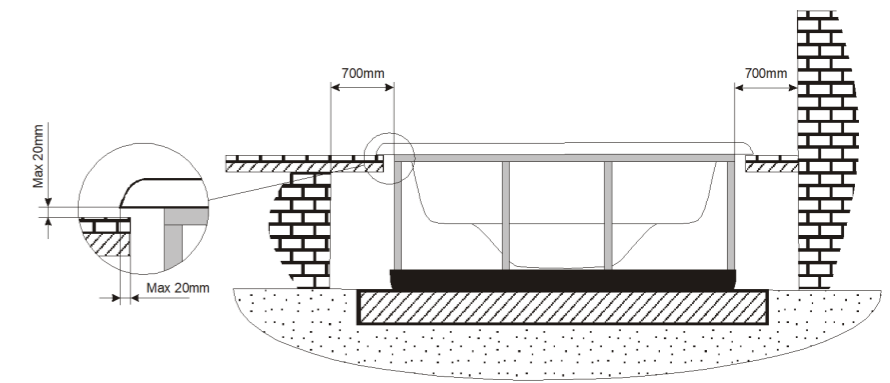


WARNING:
It's essential to keep a minimum clearance access of **700mm** all around.



According to our policy of continuous improvement, dimensions, features or components of this product can be partially or completely changed without prior notice. It's Customer responsibility to verify that this is the last version of the drawing

Change No.	Date	Name	Modification
Remarks			COMMERCIAL
Dimensions in mm. General Tolerances +/- 10mm			
Drawn	26/05/2021	CF	
Checked	26/05/2021	X.Codina	
Scale 1:30	General Tolerance		
Sheet 1/2	DIN 7168 ISO 2768g		
			Part Number
			74238-CL
			Rev.
			00
			First Angle Projection

General specifications	
Spa weight (empty)	1.379 Kg
Spa weight (full)	8.159 Kg