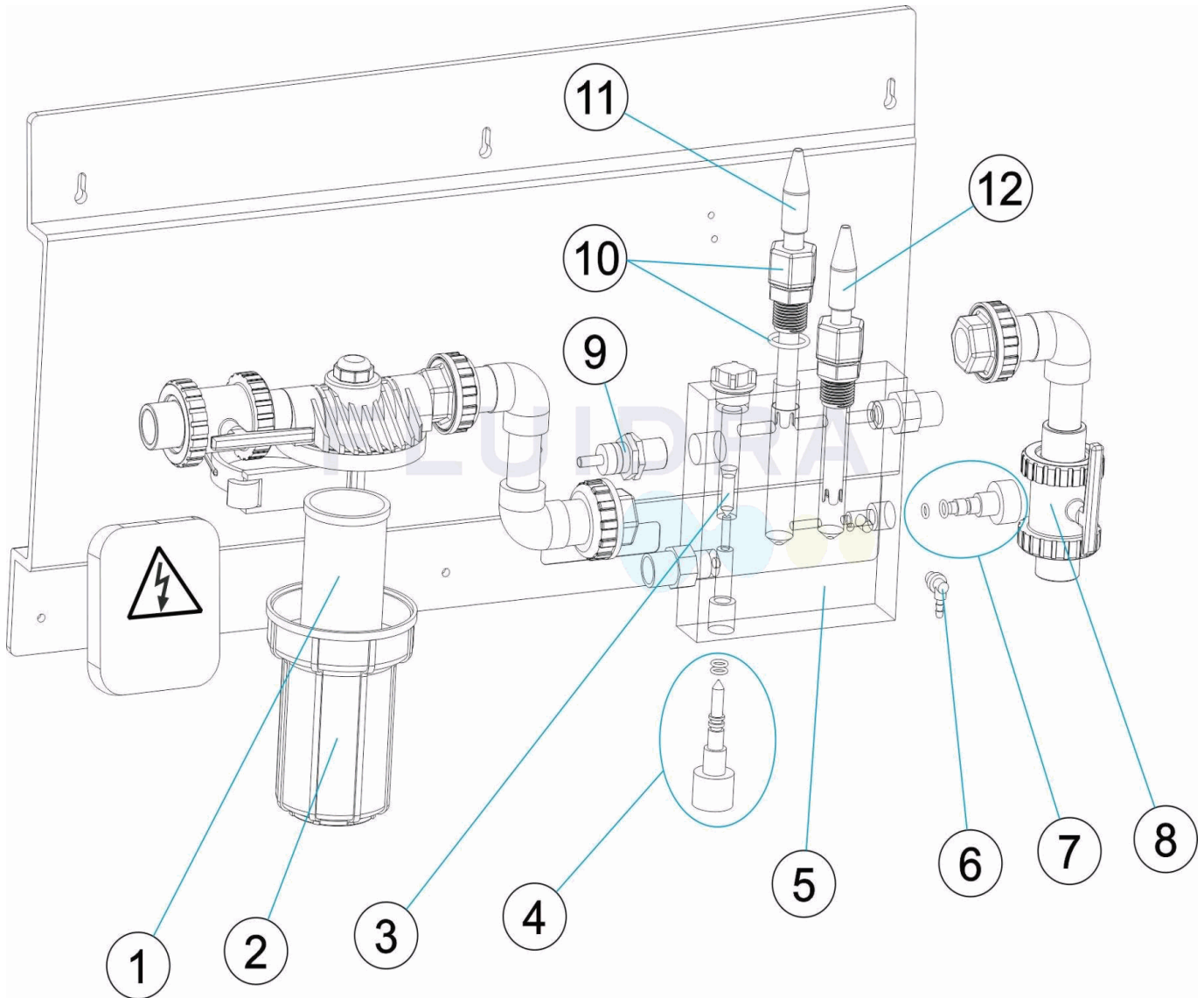


CODIGO 57769, 66448

DESCRIPCION: PANEL PH/ORP PARA PISCINA COMERCIAL

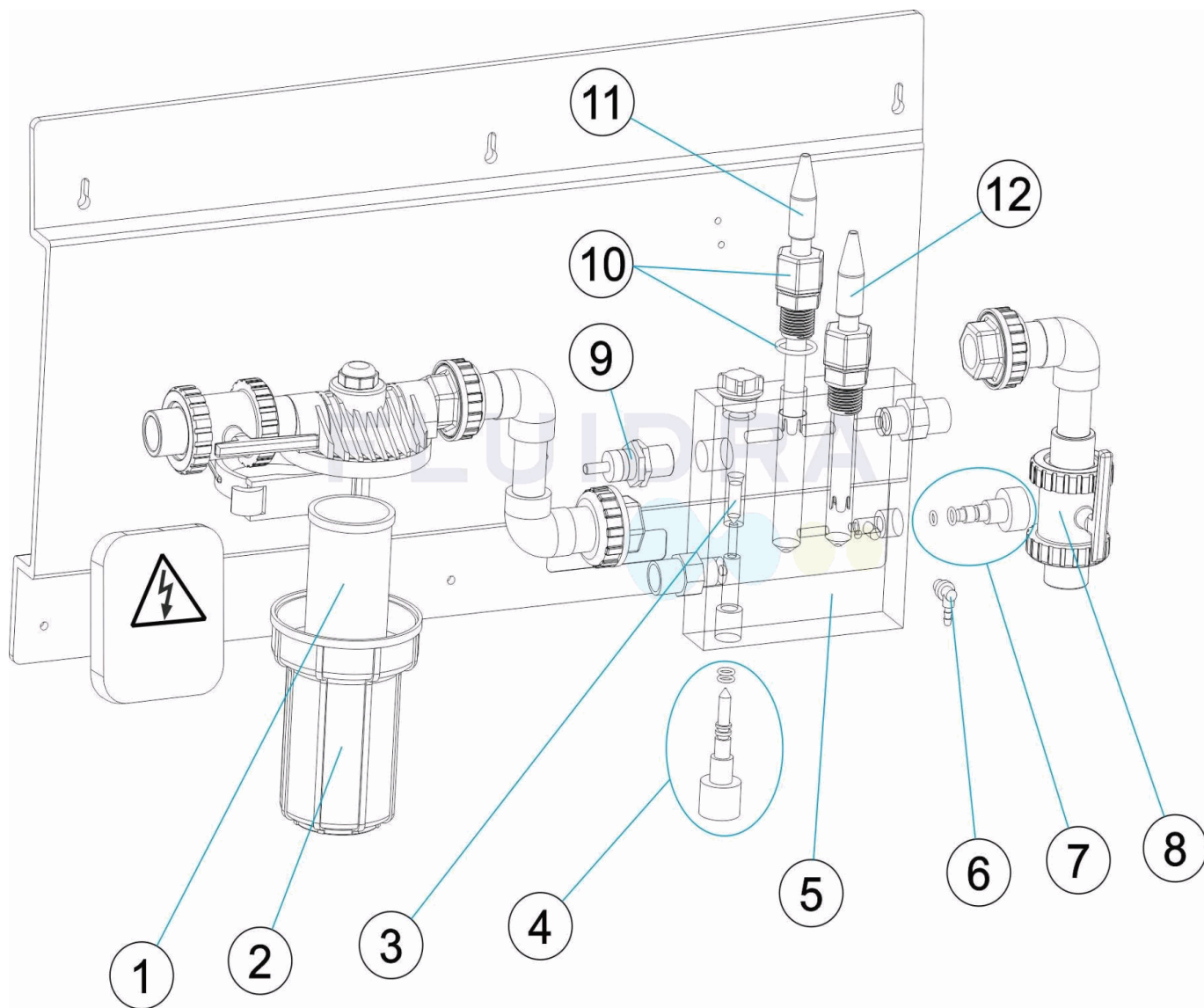


**ESPAÑOL**

POS	CODIGO	DESCRIPCION	POS	CODIGO	DESCRIPCION
1	4408041537	FILTRO PORTASONDAS LAVABLE	7	4408040157	VÁLVULA TOMA MUESTRAS
2	4408041538	PORTASONDAS E/S ½"	8	4408040168	CUERPO VALVULA + SALIDAS
3	4408040159	FLOTADOR DETECTOR DE CAUDAL	9	4408041541	SENSOR INDUCTIVO DE CAUDAL
4	4408040156	VALVULA CAUDAL + JUNTA TORICA	10	4408041310	RACOR INSERCIÓN SONDA 12M/M.-1/2"
5	4408040155	PORTASONDAS PH/ORP + PRX REP/VTA	11	60648	ELECTRODO COMBINADO PH
6	4408040158	SALIDA DESAGÜE TOMA MUESTRAS	12	60649	ELECTRODO ORP

CODE 57769, 66448

DESCRIPTION: PANNEAU PH/ORP POUR PISCINE COMMERCIALE

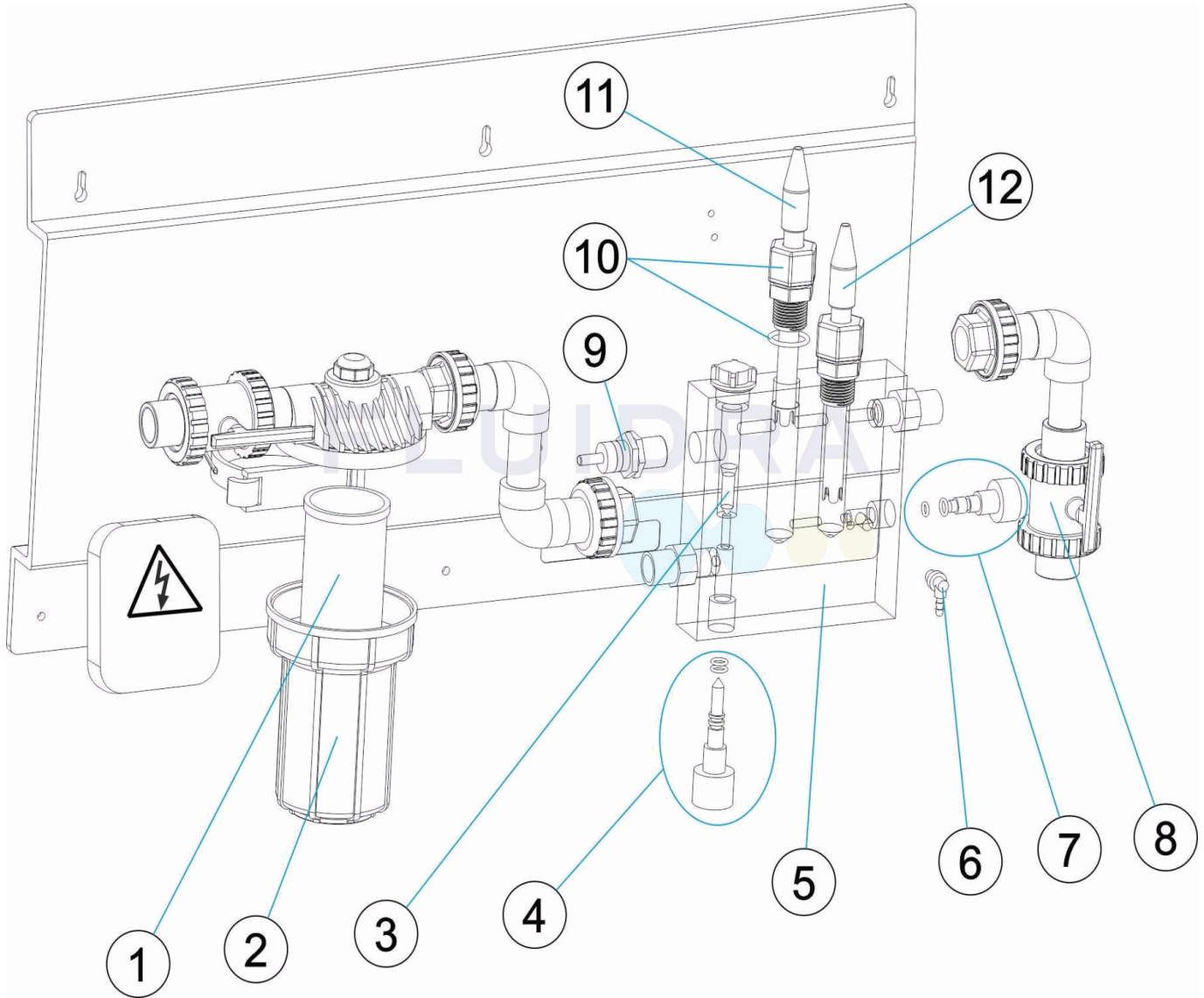


FRANCAIS

POS	CODE	DESCRIPTION	POS	CODE	DESCRIPTION
1	4408041537	FILTRE PORTE-SONDES LAVABLE	7	4408040157	VANNE PRISE ÉCHANTILLONS
2	4408041538	PORTE-SONDES E/S 1/2"	8	4408040168	CORPS VALVE + SORTIES
3	4408040159	FLOTTEUR DÉTECTEUR DÉBIT	9	4408041541	SONDE DE DÉBIT INDUCTIVE
4	4408040156	VANNE REGULATION DE DEBIT + JOINT TORIQUE	10	4408041310	CONNECTEUR 12MM. - 1/2"
5	4408040155	PORTE-SONDES PH/ORP + PRX REP/VTA	11	60648	ELECTRODE COMBINÉE PH
6	4408040158	SORTIE DRAINAGE PRISE ÉCHANTILLONS	12	60649	ELECTRODE ORP

CODE **57769, 66448**

DESCRIPTION: **PANEL PH/ORP FOR COMMERCIAL POOL**

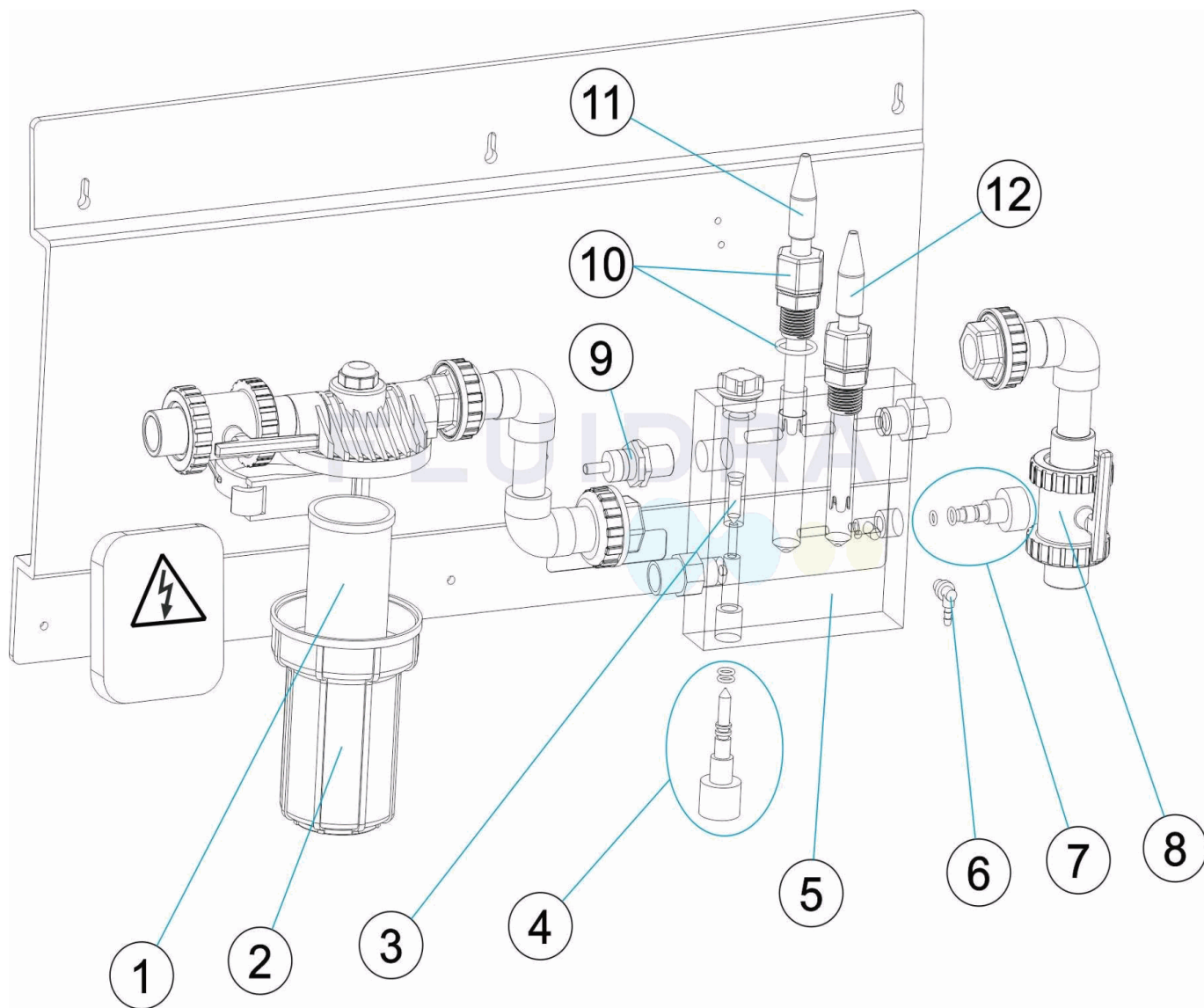


**ENGLISH**

POS	CODE	DESCRIPTION	POS	CODE	DESCRIPTION
1	4408041537	WASHABLE MAXIM CELL FILTER	7	4408040157	SAMPLING VALVE
2	4408041538	MAXIM CELL E/S 1/2"	8	4408040168	VALVE SOCKET + OUTLETS
3	4408040159	FLOW DETECTOR FLOAT	9	4408041541	INDUCTIVE FLOW SENSOR
4	4408040156	CONTROL VALVE + O' RING	10	4408041310	CONNECTOR 12M/M. - 1/2"
5	4408040155	SENSOR HOLDER PH/ORP + PRX REP/VTA	11	60648	ELECTRODE PH
6	4408040158	SAMPLING DRAIN OUTLET	12	60649	ORP ELECTRODE

CODICE **57769, 66448**

DESCRIZIONE: **PANNELLO PH/ORP PER PISCINA COMMERCIALE**

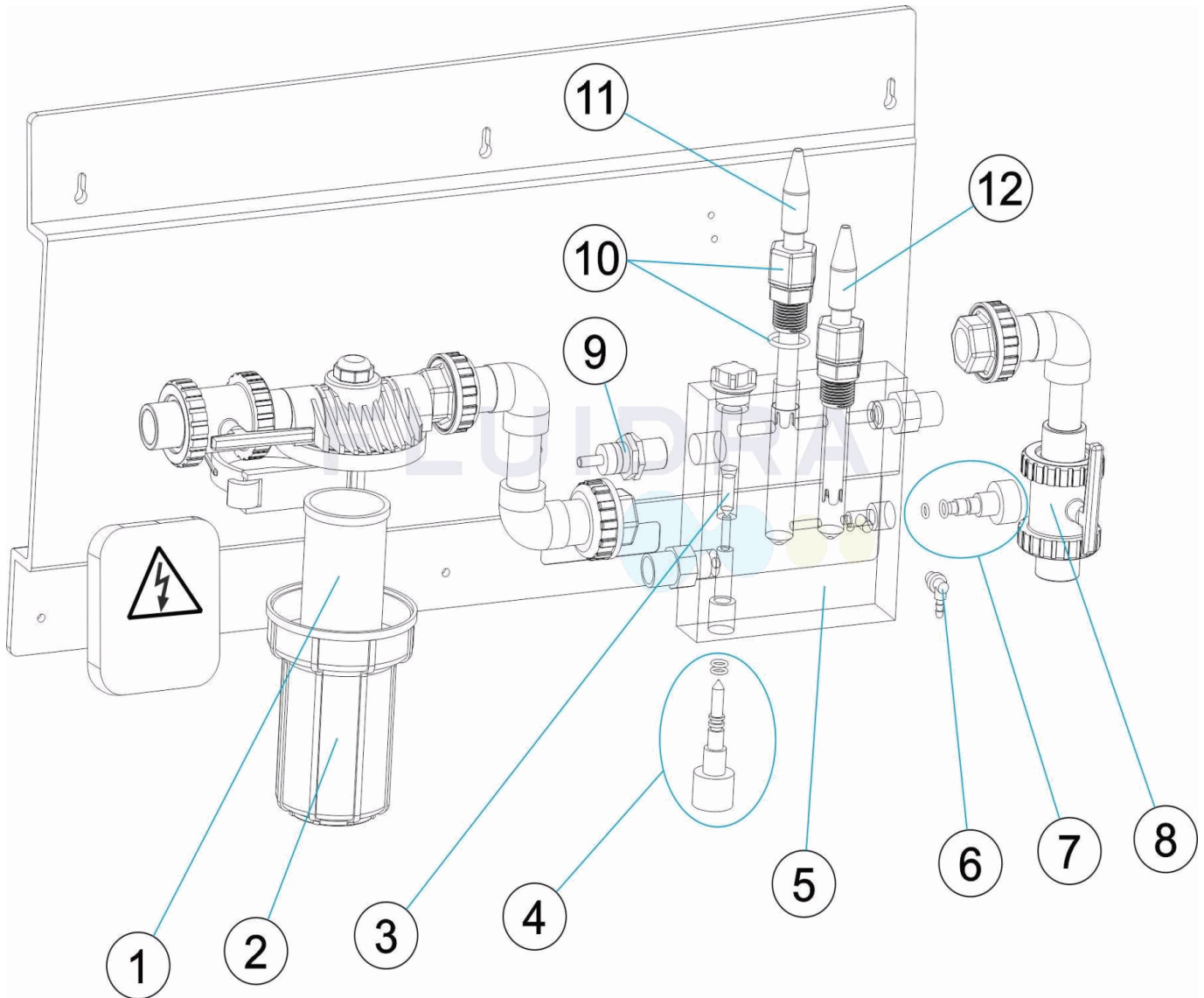


**ITALIANO**

POS	CODICE	DESCRIZIONE	POS	CODICE	DESCRIZIONE
1	4408041537	FILTRO PORTA-SONDE LAVABILE	7	4408040157	VALVOLA PRELIEVO CAMPIONI
2	4408041538	PORTA-SONDE E/S 1/2"	8	4408040168	CORPO VALVOLA + USCITE
3	4408040159	GALLEGGIANTE RILEVATORE DI PORTATA	9	4408041541	SONDA DI FLUSSO INDUTTIVA
4	4408040156	VALVOLA DI REGOLAZIONE + O-RING	10	4408041310	CONNETTORE 12M/M. - 1/2"
5	4408040155	PORTA-SONDE PH/ORP + PRX REP/VTA	11	60648	ELETTRODO COMBINATO PH
6	4408040158	USCITA SCARICO PRELIEVO CAMPIONI	12	60649	ELETTRODO RX

CODE **57769, 66448**

BESCHREIBUNG: **SEITENTEIL PH/ORP ÖFFENTLICHES BECKEN**

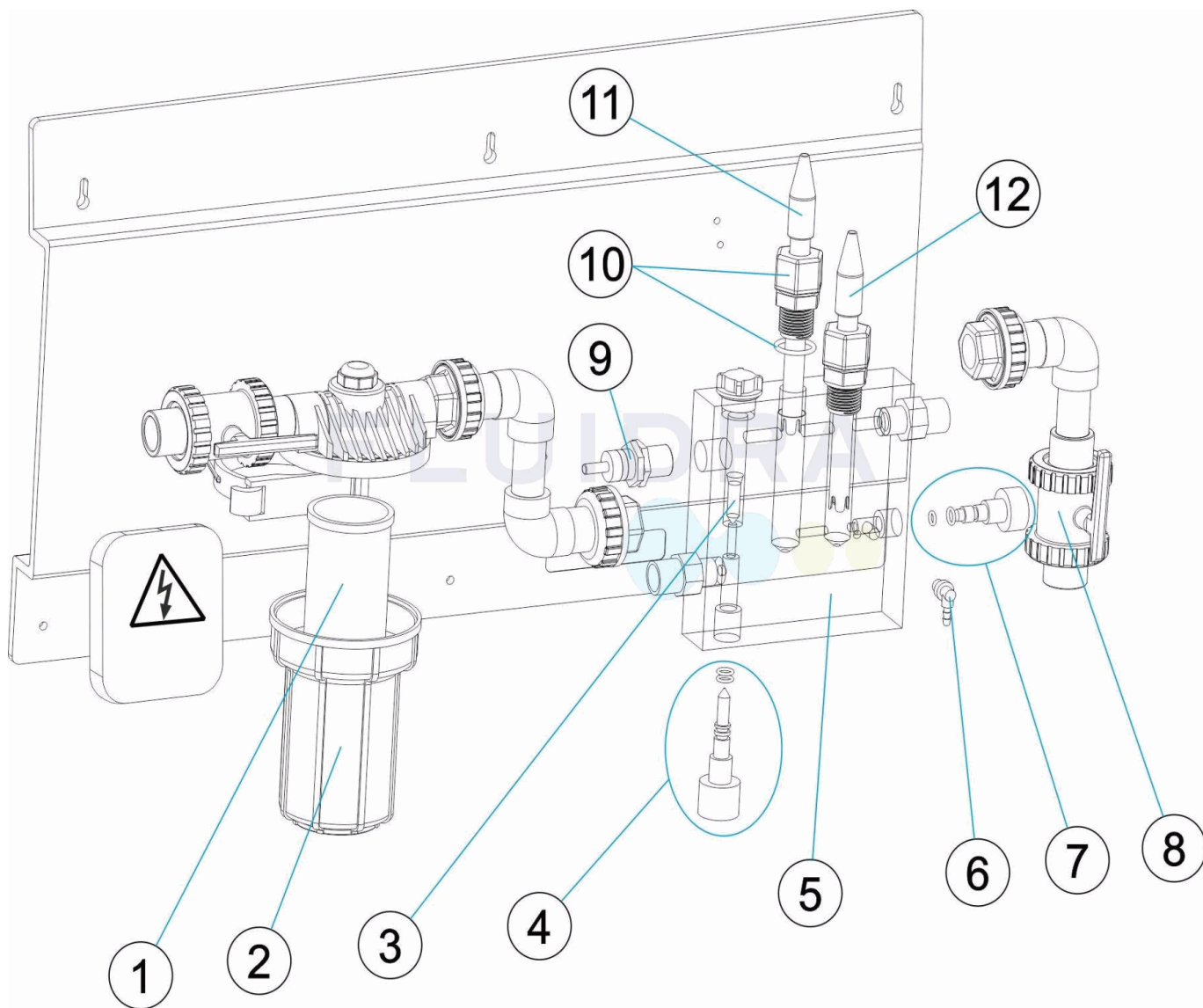


**DEUTSCH**

POS	CODE	BESCHREIBUNG	POS	CODE	BESCHREIBUNG
1	4408041537	SONDENHALTERUNG FILTER WASCHBAR	7	4408040157	VENTIL PROBEENTNAHME
2	4408041538	SONDENHALTERUNG E/S 1/2"	8	4408040168	GEHÄUSE VENTIL + AUSGÄNGE
3	4408040159	SCHWIMMER DURCHFLUSSANZEIGE	9	4408041541	INDUKTIVER DURCHFLUSSMESSER
4	4408040156	DURCHFLUSSVENTIL + O-RING	10	4408041310	GEWINDESTÜCK SONDE 12 MM - 1/2"
5	4408040155	SONDENHALTERUNG PH/ORP + PRX REP/VTA	11	60648	ELEKTRODE KOMBINIERT PH
6	4408040158	ABLASS PROBEENTNAHME	12	60649	ORP-ELEKTRODE

CODIGO 57769, 66448

DESCRIÇÃO: PAINEL PH/ORP PARA PISCINA COMERCIAL



**PORTUGUES**

POS	CODIGO	DESCRIÇÃO	POS	CODIGO	DESCRIÇÃO
1	4408041537	FILTRO PORTA-SONDAS LAVÁVEL	7	4408040157	VÁLVULA RECOLHA AMOSTRAS
2	4408041538	PORTA-SONDAS E/S ½"	8	4408040168	CORPO VÁLVULA + SAÍDAS
3	4408040159	BOIA DETETOR DE CAUDAL	9	4408041541	SONDA DE CAUDAL INDUTIVA
4	4408040156	VÁLVULA CAUDAL + JUNTA TÓRICA	10	4408041310	CONECTOR 12M/M. - 1/2"
5	4408040155	PORTA-SONDAS PH/ORP + PRX REP/VTA	11	60648	ELECTRODO COMBINADO PH
6	4408040158	SAÍDA DESCARGA RECOLHA AMOSTRAS	12	60649	ELECTRODO ORP