



SPARE PARTS DRAWING

CODE: 45709

Revision

10

Date: 13/02/2020

Drawn: A.Miquel

Checked: V.Saiz

According to our policy of continuous improvement, dimensions, features or components of this product can be partially or completely changed without prior notice. It's Customer responsibility to verify that this is the last version of the drawing

Property of IBERSPA S.L. Avda. Pla d'Urgell 2-8 25200 Cervera, Spain. Don't use without permission. Keep this information confidential and use it solely for the permitted purpose.

CONTROL COMPONENTS



SUPPORTS

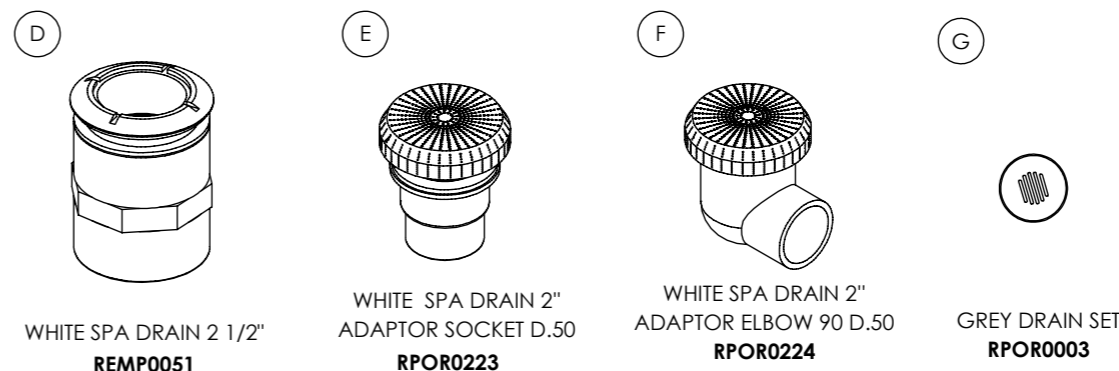


LIGHT COMPONENTS

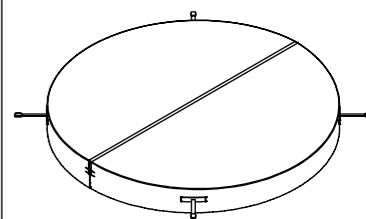
4

COLOR LIGHT OPTION		WHITE LIGHT OPTION	
WHITE	STAINLESS STEEL	WHITE	STAINLESS STEEL
HIGH INTENSITY COLOURS LED SPOTLIGHTS + WHITE ESCUTCHEON SPOTLIGHT RCOM0061	HIGH INTENSITY COLOURS LED SPOTLIGHTS + STEEL ESCUTCHEON SPOTLIGHT RCOM0063	HIGH INTENSITY WHITE LED SPOTLIGHTS + WHITE ESCUTCHEON SPOTLIGHT RCOM0070	HIGH INTENSITY WHITE LED SPOTLIGHTS + STAINLESS STEEL ESCUTCHEON SPOTLIGHT RCOM0071

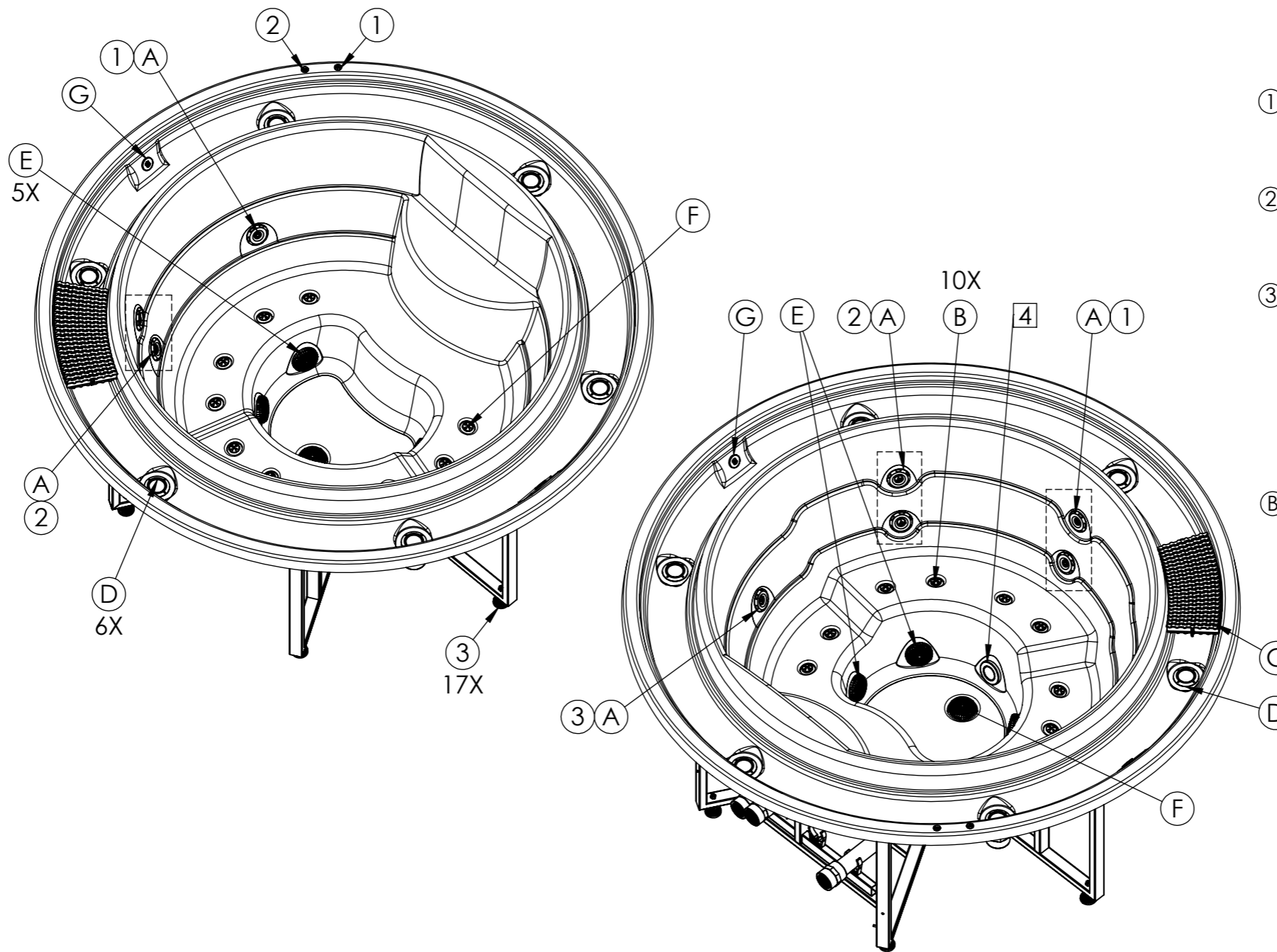
SUCTION AND DRAINS



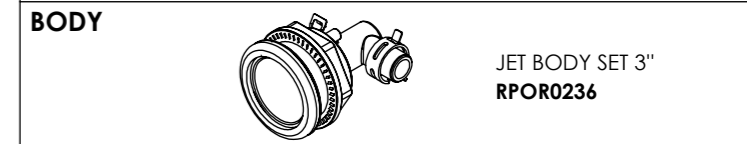
COVER



Nº: 45721



MASSAGE COMPONENTS



FRONTAL

	WHITE	STAINLESS STEEL
① DIRECTIONAL	REMP0058	RPOR0231
② ROTO	REMP0059	RPOR0232
③ TWIN-ROTO	REMP0060	RPOR0233

AIR

	WHITE	STAINLESS STEEL
②	KIT STORM AIR NOZZLE REMP0029	WHITE - STAINLESS STEEL AIR NOZZLE REMP0046

