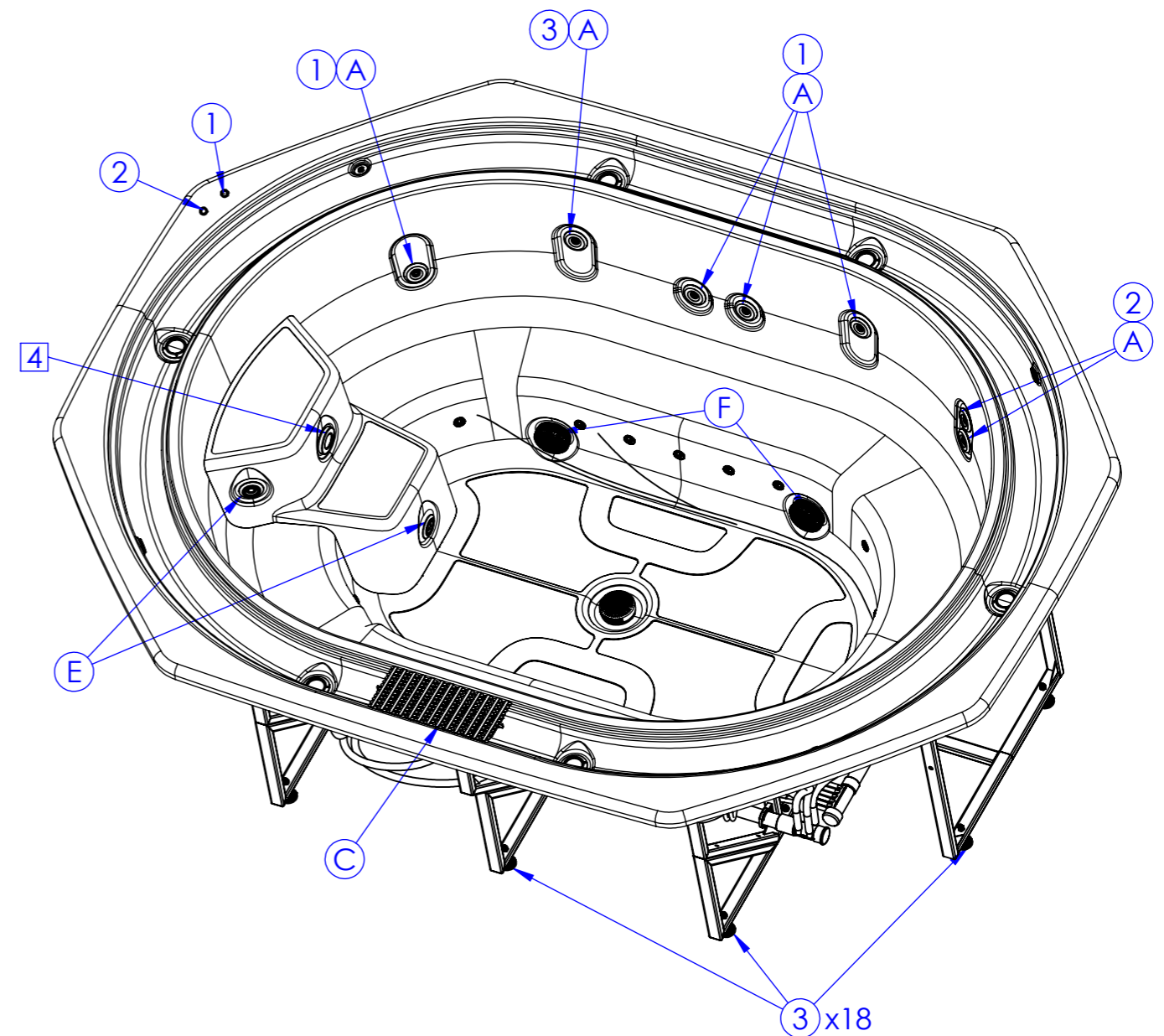
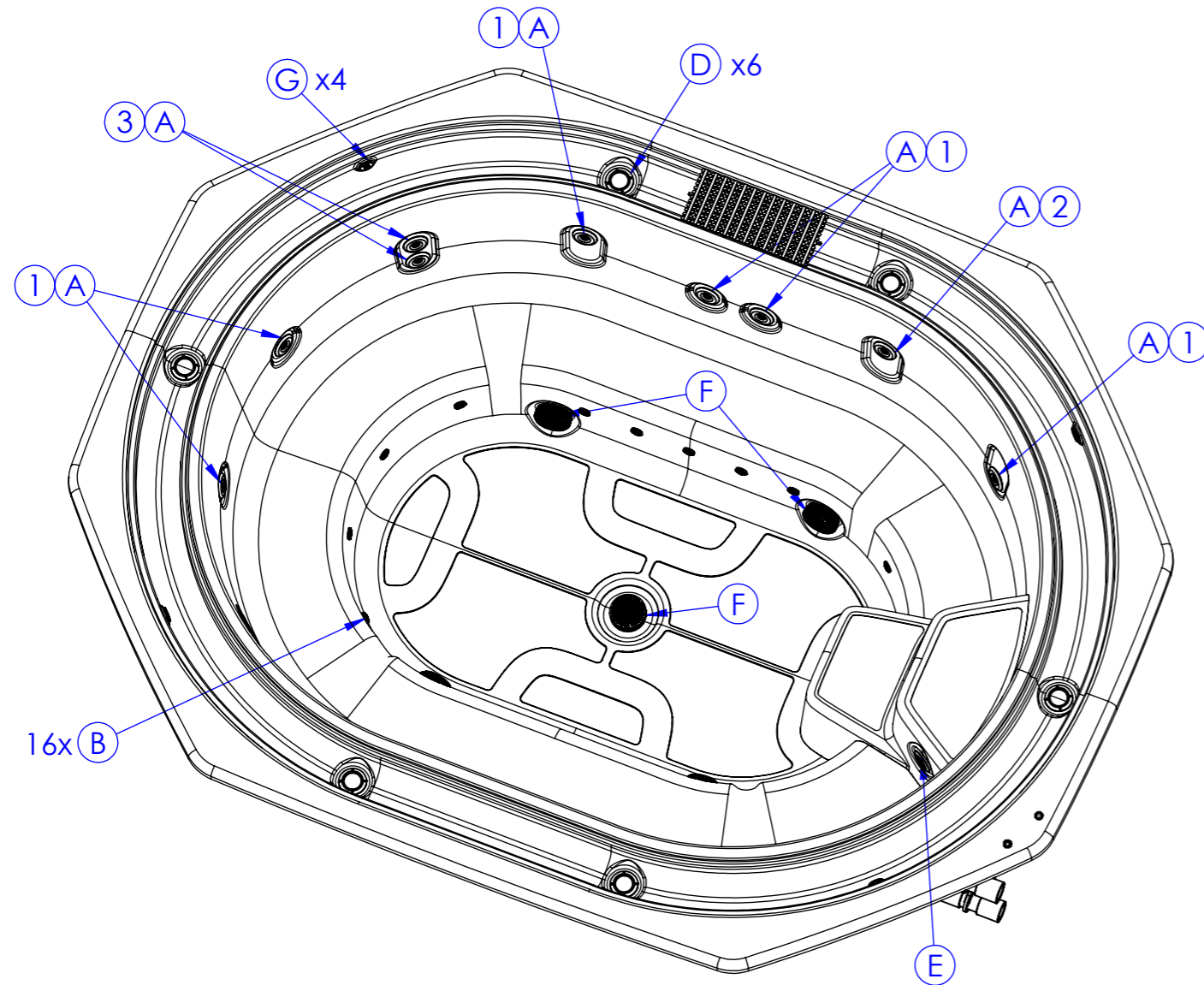



According to our policy of continuous improvement, dimensions, features or components of this product can be partially or completely changed without prior notice. It's Customer responsibility to verify that this is the last version of the drawing

Property of IBERSPA S.L. Avda. Pla d'Urgell 2-8 25200 Cervera, Spain. Don't use without permission. Keep this information confidential and use it solely for the permitted purpose.



	STANDARD COMPONENTS
A	JETS
B	AIR NOZZLES
C	GRATINGS
D,E,F,G	SUCTIONS AND DRAINS
1,2	DIGITAL BUTTONS
3	SPA SUPPORTS
4	LIGHTS

Position Num.	Part Nº SPARE	Description SPARE	COLOUR JETS WHITE (W)/ STAINLESS STEEL (S)	Quant.
A	RPOR0236	JET BODY SET RD 3"	W/S	16
A.1	REMP0058	FRONTAL JET 3" WHITE DIRECTIONAL	W	10
	RPOR0231	FRONTAL JET 3" STAINLESS STEEL DIRECTIONAL	S	
A.2	REMP0059	FRONTAL JET 3" WHITE 1 JET ROTO	W	3
	RPOR0232	FRONTAL JET 3" STAINLESS STEEL 1 JET ROTO	S	
A.3	REMP0060	FRONTAL JET 3" WHITE TWIN ROTO	W	3
	RPOR0233	FRONTAL JET 3" STAINLESS STEEL TWIN ROTO	S	
B	REMP0029	WHITE STORM AIR NOZZLE	W	16
	REMP0046	WITHE-STAINLESS STEEL AIR NOZZLE	S	
C	REMP0039	SPA OLIMPIA GRATING 22X195MM	W/S	394
D	REMP0051	WHITE SPA DRAIN 2 1/2"	W/S	6
E	REMP0010	PRESSURE NOZZLE	W/S	3
F	REMP0079	SUPER HI-FLOW SUCTION 2" WHITE	W/S	5
G	RPOR0003	GREY DRAIN SET	W/S	4
1	REMP0033	DIGITAL BUTTON IP68 ALUM.WATER	W/S	1
2	REMP0034	DIGITAL BUTTON IP68 ALUM.AIR	W/S	1
3	303325R	SPA SUPPORT	W/S	18
X	7446	OLYMPIA/HYDRA COVER	-	1
<b>COLOR LIGHT OPTION</b>				
4	RCOM0061	HIGH INTENSITY COLOURS LED SPOTLIGHTS + WHITE ESCUTCHEON SPOTLIGHT	W	1
	RCOM0063	HIGH INTENSITY COLOURS LED SPOTLIGHTS + STEEL ESCUTCHEON SPOTLIGHT	S	1
<b>WHITE LIGHT OPTION</b>				
4	RCOM0070	HIGH INTENSITY WHITE LED SPOTLIGHTS + WHITE ESCUTCHEON SPOTLIGHT	W	1
	RCOM0071	HIGH INTENSITY WHITE LED SPOTLIGHTS + STEEL ESCUTCHEON SPOTLIGHT	S	1
	14/01/2021	I.Rica	New template	
Charge No.	Date	Name	Modification	
<b>SPARE DRAWING</b>				
			Part Number	Rev.
			73587	00
			73589	