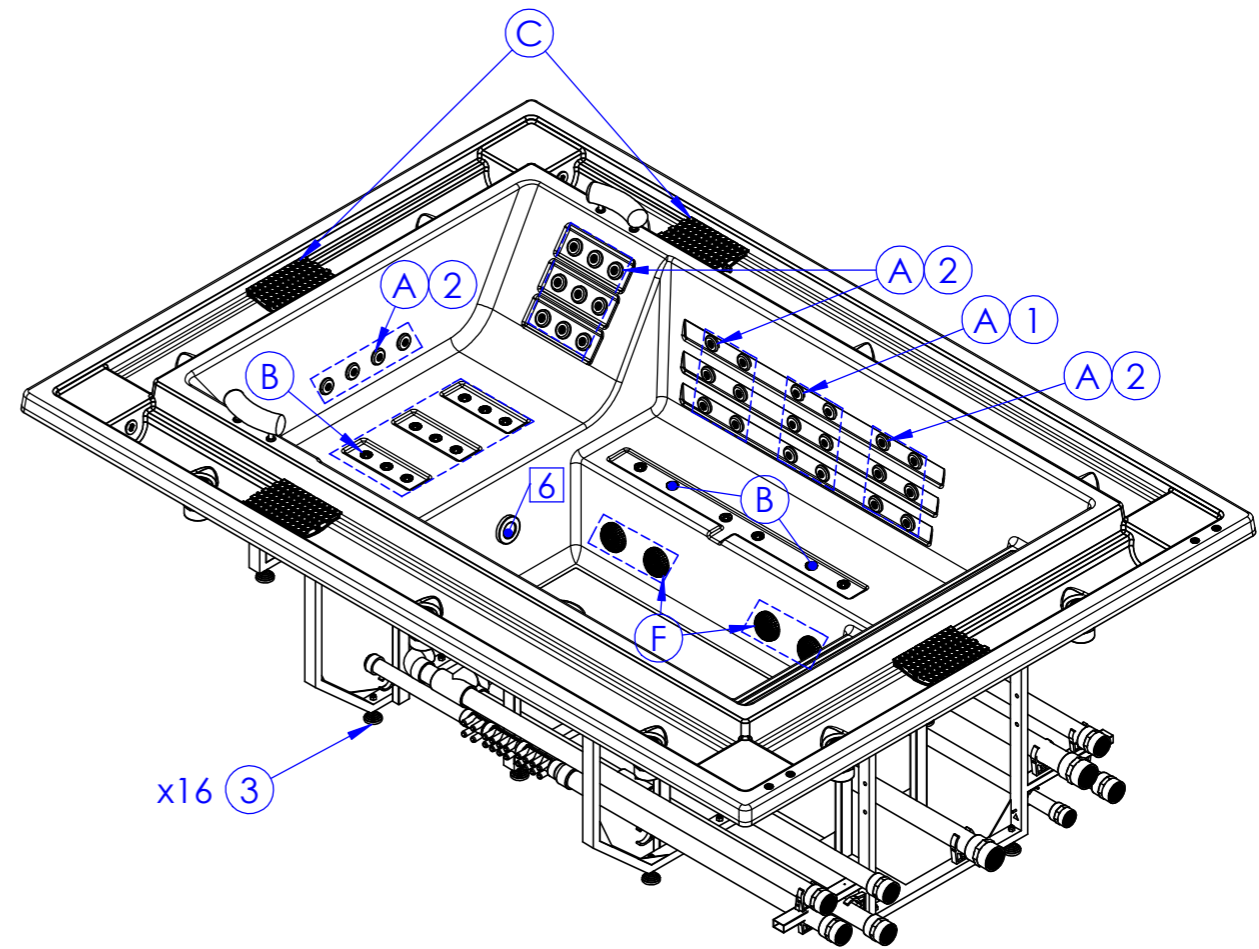
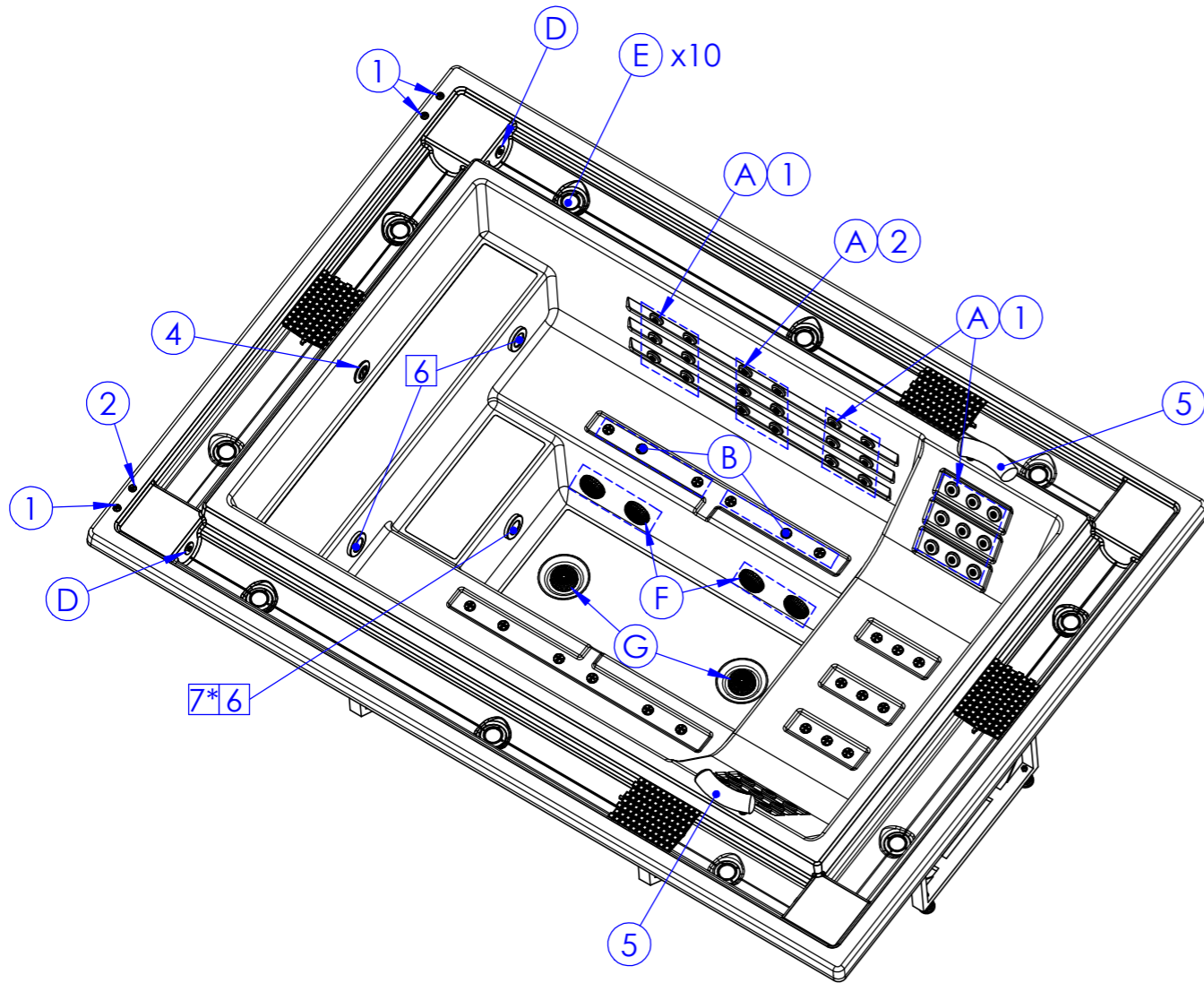



According to our policy of continuous improvement, dimensions, features or components of this product can be partially or completely changed without prior notice. It's Customer responsibility to verify that this is the last version of the drawing

Property of IBERSPA S.L. Avda. Pla d'Urgell 2-8 25200 Cervera, Spain. Don't use without permission. Keep this information confidential and use it solely for the permitted purpose.



STANDARD COMPONENTS	
A	JETS
B	AIR NOZZLES
C	GRATINGS
D,E,F,G	SUCTIONS AND DRAINS
1,2	DIGITAL BUTTONS
3	SPA SUPPORTS
4,5	ACCESSORIES
6	4 LED LIGHT OPTION
7*	1 LED LIGHT OPTION

Position Num.	Part Nº SPARE	Description SPARE	COLOUR JETS WHITE (W)/ STAINLESS STEEL (S)	Quant.
A	RPOR0235	JET BODY SET RD 2"	W/S	58
A.1	RPOR0230	FRONTAL JET 2" STAINLESS STEEL DIRECTIONAL	S	31
	REMP0056	FRONTAL JET 2" WHITE DIRECTIONAL	W	
A.2	RPOR0260	FRONTAL JET 2" STAINLESS STEEL TWIN ROTO	S	27
	REMP0057	FRONTAL JET 2" WHITE TWIN ROTO	W	
B	REMP0029	WHITE STORM AIR NOZZLE	W	21
	REMP0046	WITHE-STAINLESS STEEL AIR NOZZLE	S	
C	REMP0041	DIN CURVED GRATING WIDTH 245 mm	W/S	380
D	RPOR0003	GREY DRAIN SET - BODY+COVER+ASSEMBLY-	W/S	4
E	REMP0051	WHITE SPA DRAIN 2 1/2"	W/S	10
F	RPOR0223	WHITE SPA DRAIN 2" ADAPTOR SOCKET D.50	W/S	8
G	RPOR0224	WHITE SPA DRAIN 2" ADAPTOR ELBOW 90 D.50	W/S	2
1	REMP0033	DIGITAL BUTTON IP68 ALUM.WATER	W/S	3
2	REMP0034	DIGITAL BUTTON IP68 ALUM.AIR	W/S	1
3	303325R	SPA SUPPORT	W/S	16
4	REMP0052	VACUUM POINT	W/S	1
5	REMP0049	WHITE ROUND HEADREST SPA	W/S	2
X	54184	TOKYO SPA COVER	-	1
4 LEDS COLOR LIGHT OPTION				
6	RCOM0061	HIGH INTENSITY COLOURS LED SPOTLIGHTS + WHITE ESCUTCHEON SPOTLIGHT	W	4
	RCOM0063	HIGH INTENSITY COLOURS LED SPOTLIGHTS + STEEL ESCUTCHEON SPOTLIGHT	S	4
1 LED WHITE LIGHT OPTION				
7	RCOM0070	HIGH INTENSITY WHITE LED SPOTLIGHTS + WHITE ESCUTCHEON SPOTLIGHT	W	1
	RCOM0071	HIGH INTENSITY WHITE LED SPOTLIGHTS + STEEL ESCUTCHEON SPOTLIGHT	S	1
09	12/02/2021	I.Rica	Change gratings, suction and new template	
Charge No.	Date	Name	Modification	
SPARE DRAWING				
			Part Number 53990	Rev. 09