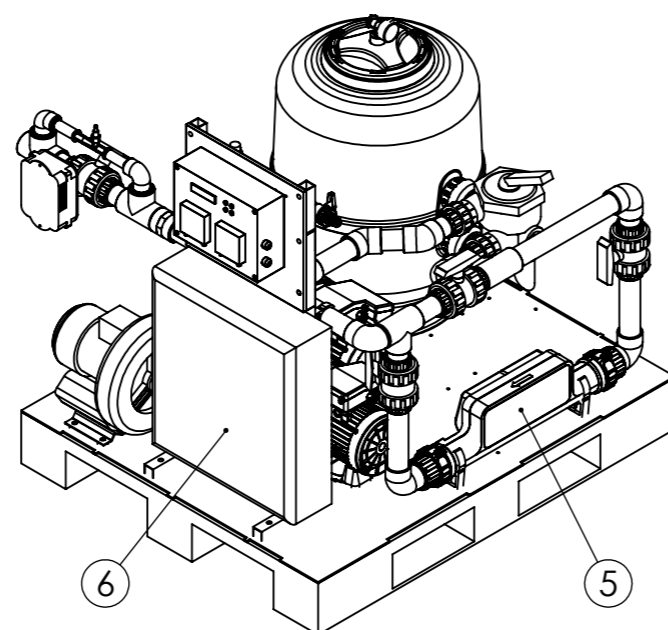
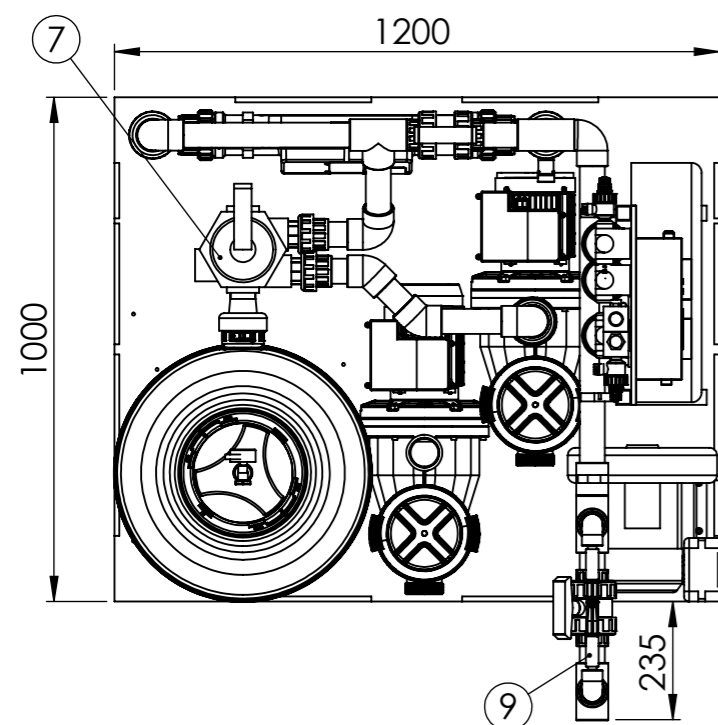
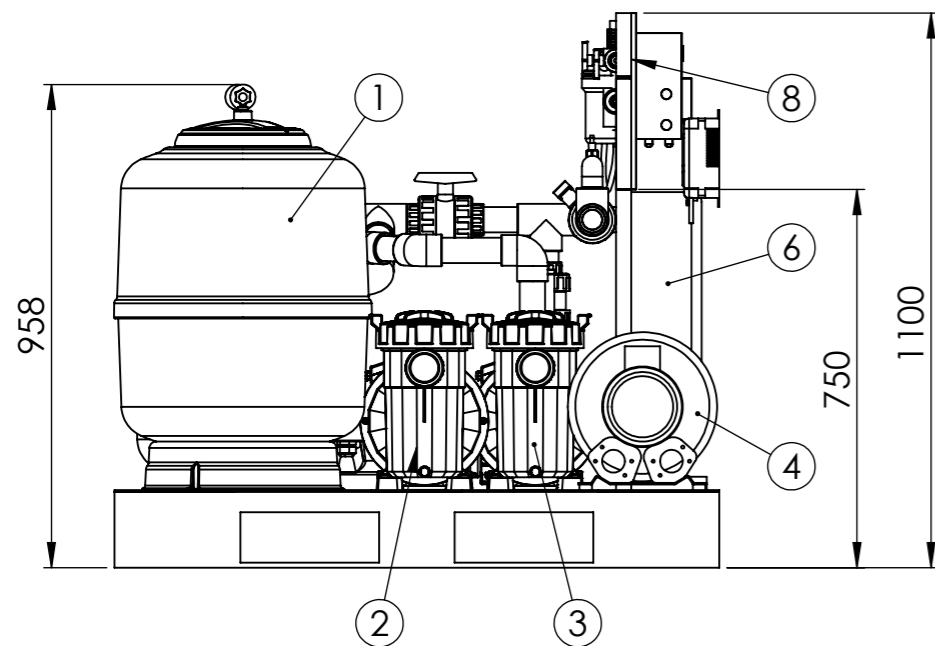
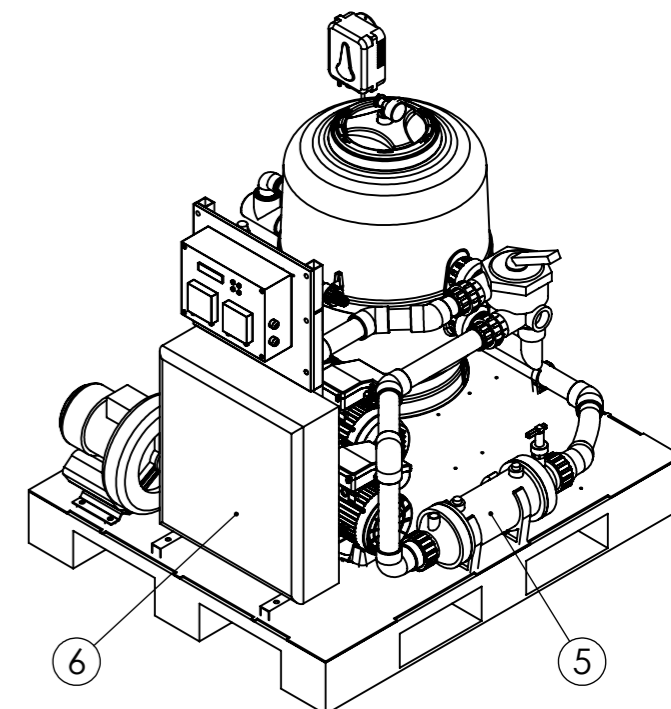
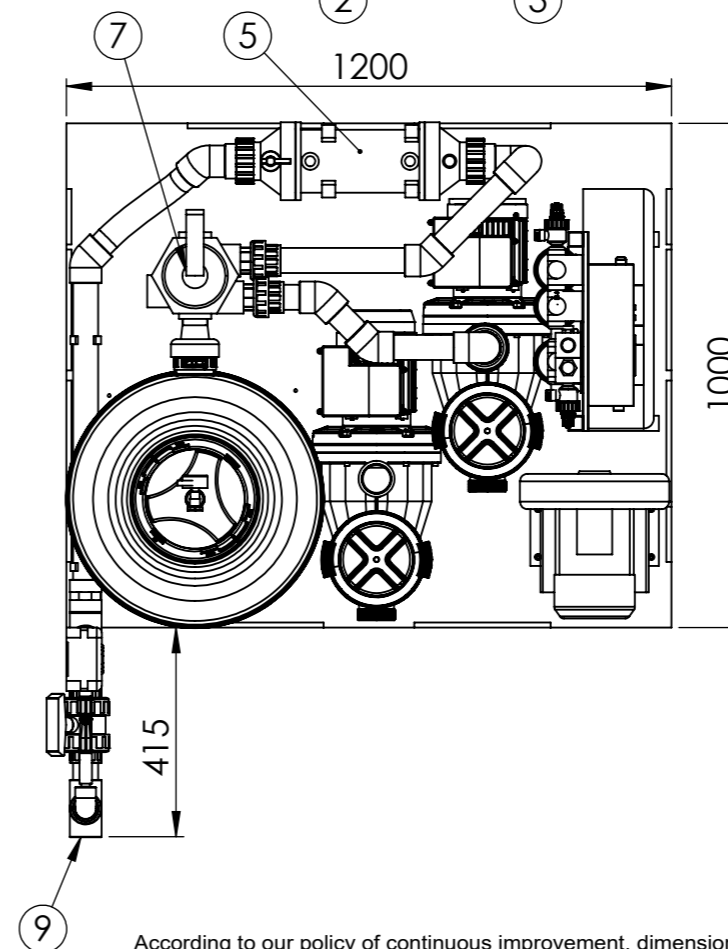
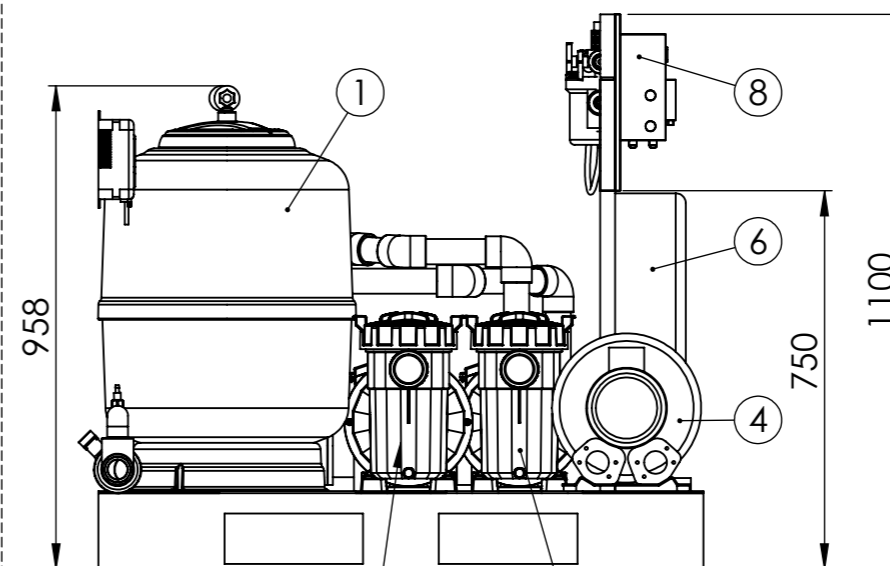


WITH ELECTRIC HETER 6KW



WITH HEAT EXCHANGER 20KW



STANDARD COMPONENTS	
1	FILTER
2	MASSAGE PUMP
3	FILTRATION PUMP
4	BLOWER PUMP
5	HEATER
6	ELECTRIC BOX
7	SELECTOR VALVE

OPTIONAL COMPONENTS	
8	DOSIFICACION PH + CL
9	OZONE COMPACT KIT

According to our policy of continuous improvement, dimensions, features or components of this product can be partially or completely changed without prior notice.

It's Customer responsibility to verify that this is the last version of the drawing

Connection pipes of: pump to filter and filter to heater are not included.

To fill the sand filter it's necessary to leave free 60cm on the top of the filter.

Change No.	Date	Name	Modification
02	19/05/2020	A.Miguel	Components updated 2020.
01	18/09/2017	Ricard S.	Update

Remarks Dimensions in mm. General Tolerances +/- 10mm			COMMERCIAL DRAWING			
Drawn	19/03/2014	X.Codina		Part Number	04015	
Checked				Rev.	02	
Scale	1:10	General Tolerance DIN 7168 ISO 2768g				
Sheet	1/4					