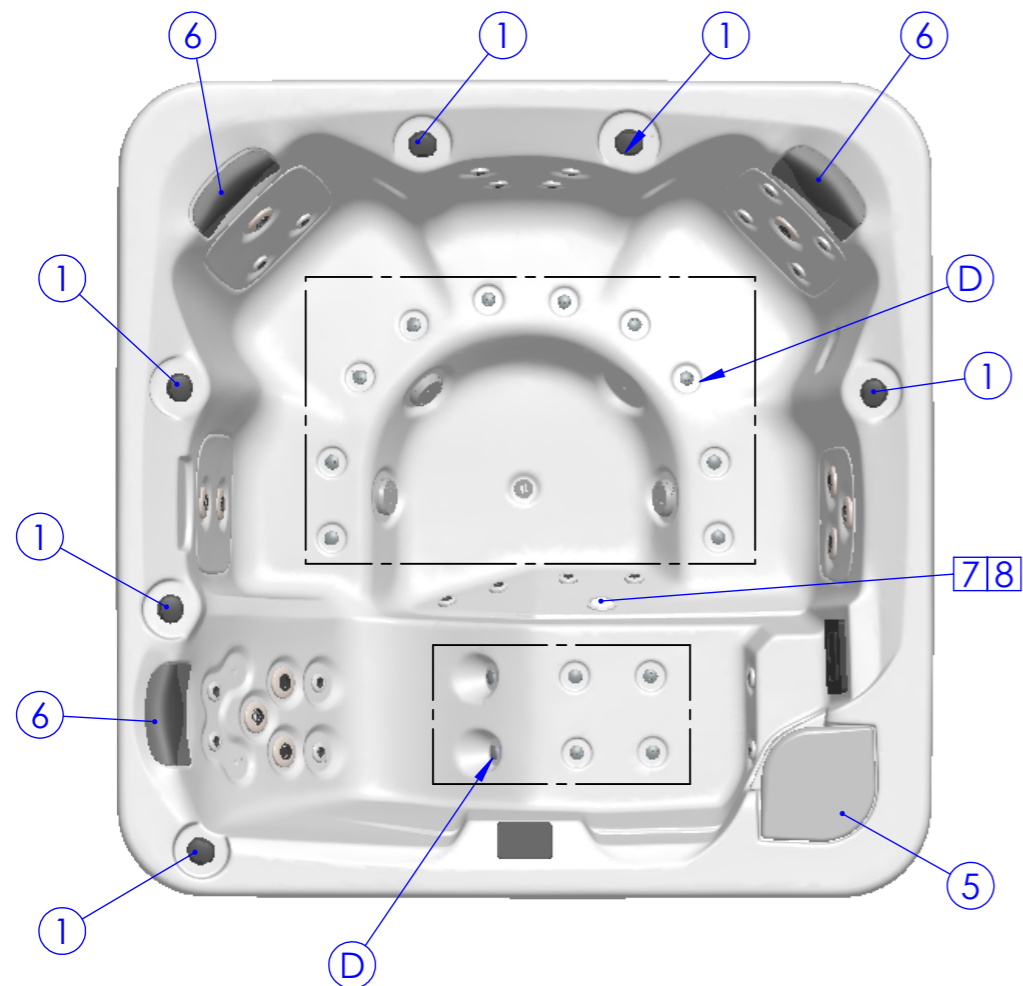


According to our policy of continuous improvement, dimensions, features or components of this product can be partially or completely changed without prior notice. It's Customer responsibility to verify that this is the last version of the drawing

Property of IBERSPA S.L. Avda. Pla d'Urgell 2-8 25200 Cervera, Spain. Don't use without permission. Keep this information confidential and use it solely for the permitted purpose.

CONTROL COMPONENTS



- 1 VENTURY CONTROLLER SS RPOR0261
- 2 VALVE ON-OFF 1" SS RPOR0263
- 3 3 WAYS SS VALVE 2" RPOR00262
- 4 AROMA DISPENSER RPOR0264

PILLOWS

- 5 SKIMFILTER COVER RPOR0156
- 6 SMALL HEADREST GREY RPOR0032

LIGHT COMPONENTS

- 7 SPOTLIGHT LED SET RD RPOR0239
- 8 MASTER LED LIGHT RPOR0240 **OPTIONAL**

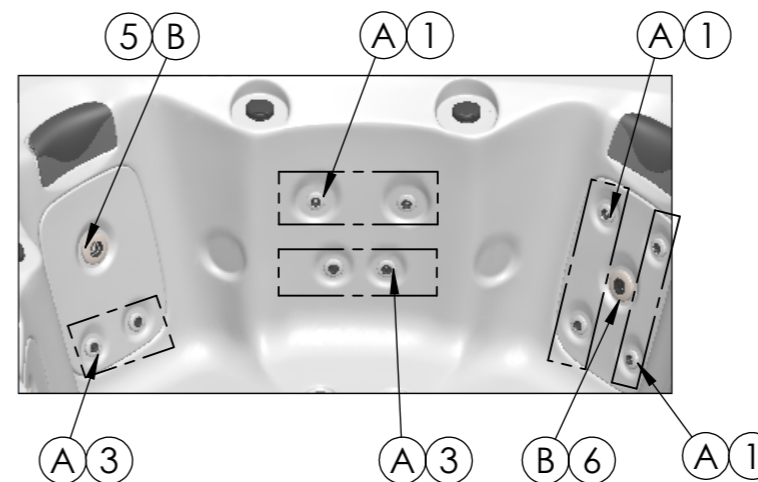
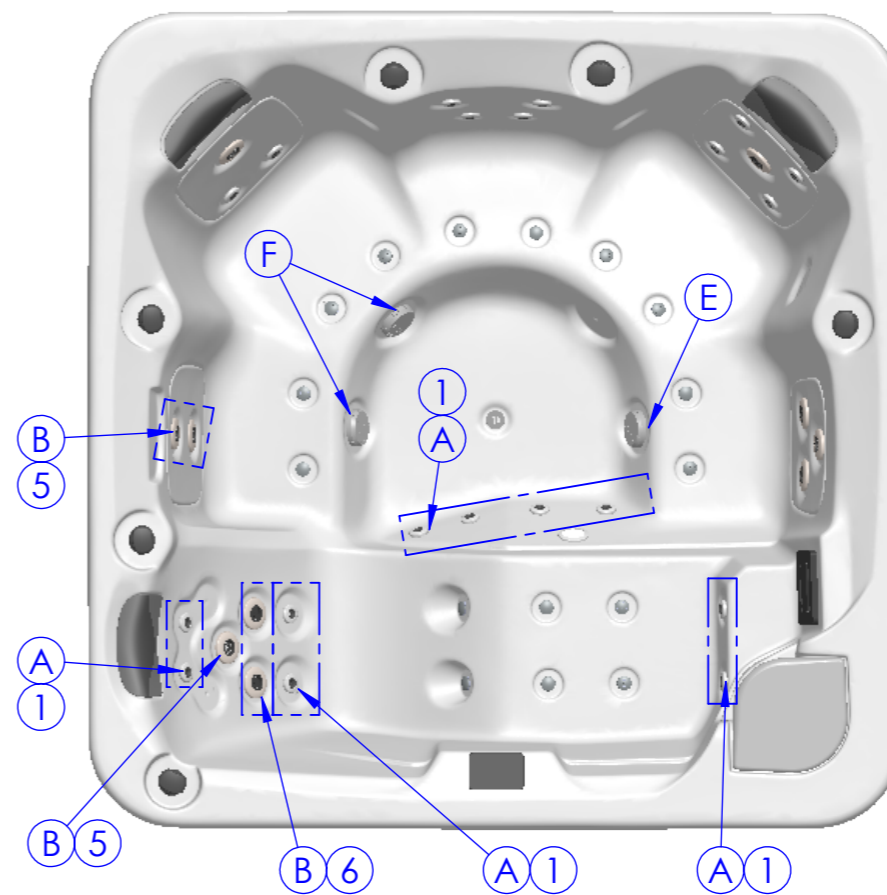
CONTROL PANELS

- PANELL TOUCH MINIMALIST II RPOR0382 **OPTIONAL**

FILTRATION

- SKYMMER FILTER TAPE RPOR0178

MASSAGE COMPONENTS



- A JET BODY SET 2" RPOR0375
- 1 FRONTAL JET 2" SS DIRECTIONAL RPOR0375-A
- 2 FRONTAL JET 2" LF SS DIRECTION RPOR00375-B
- 3 FRONTAL JET 2" SS ROTO RPOR0375-C
- 4 FRONTAL JET 2" LF SS ROTO RPOR0375-D
- B JET BODY SET 3" RPOR0376
- 5 FRONTAL JET 3" SS DIRECTIONAL RPOR0376-A
- 6 FRONTAL JET 3" SS TWIN ROTO RPOR0376-B

- D WHITE STAINLESS STEEL AIR NOZZLE REMP0046

OTHER COMPONENTS

- E GREY DRAIN SET RPOR0003
- F WHITE SPA DRAIN 2" ADAPTOR ELBOW 90 D.50 RPOR0224
- GREY SPA DRAIN 2" ADAPTOR SOKET D.50 RPOR0225

COVER 65977