

OVERFLOW CHANNEL DRAINAGE POINT

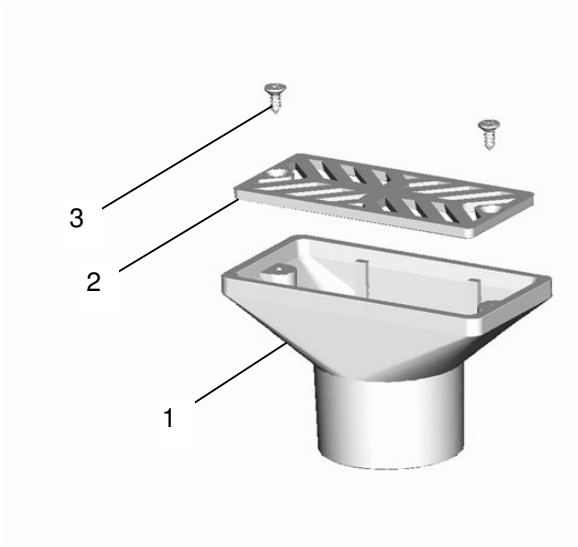
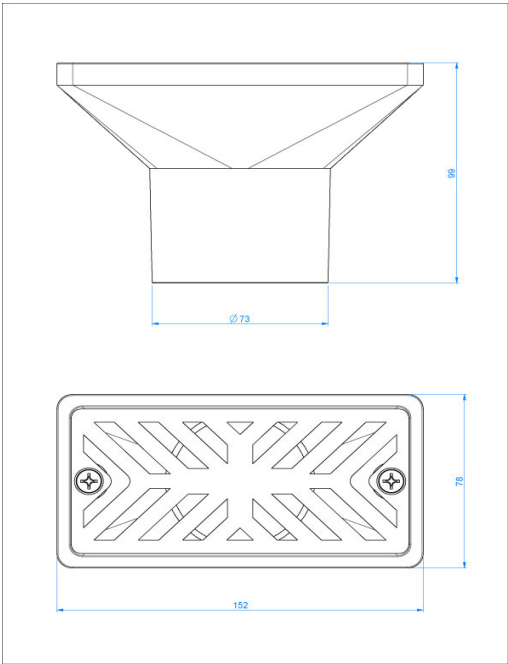
Element located at the outlet of the nozzles or overflows; it represents the outlet of the treated water, allow the recirculation of water. They should be well oriented to avoid standing water.



CHARACTERISTICS

For solvent socket to D63 pipe
 Body and grille in thermoplastic material ABS
 Bolts made in stainless steel
 Specially designed for overflow channels and lateral drainage point of the Net'nClean system.
 Maximum recommended flow: 7m3/h

DIMENSIONI ESPLOSION



- 1, Body
- 2, Grill
- 3, Screws

A		99
B	\varnothing	73
C		78
D		152