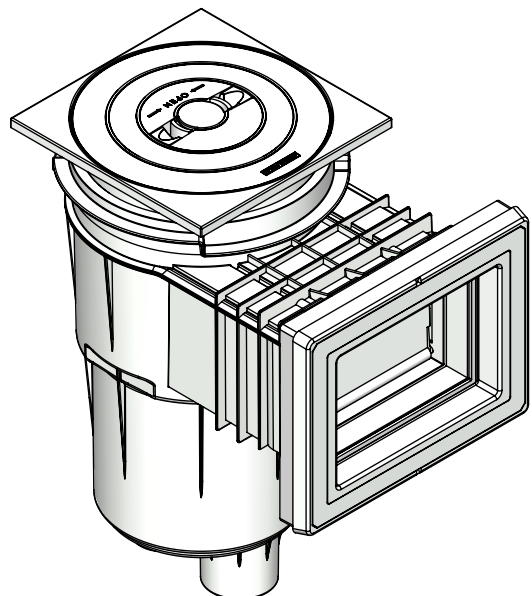
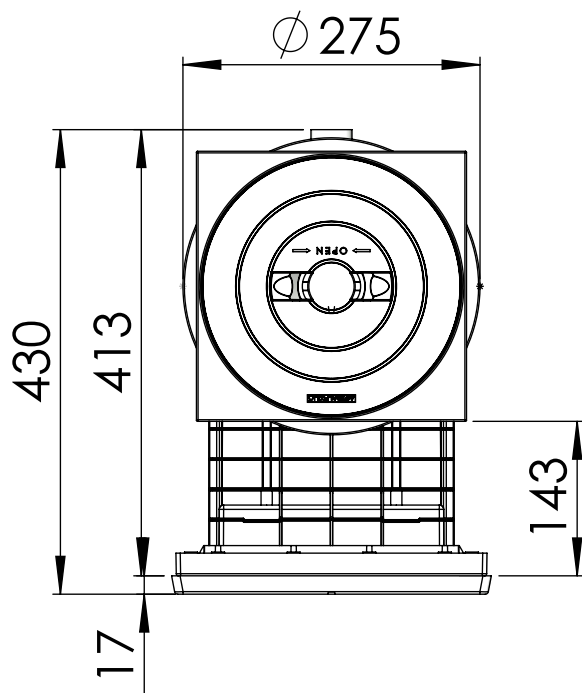
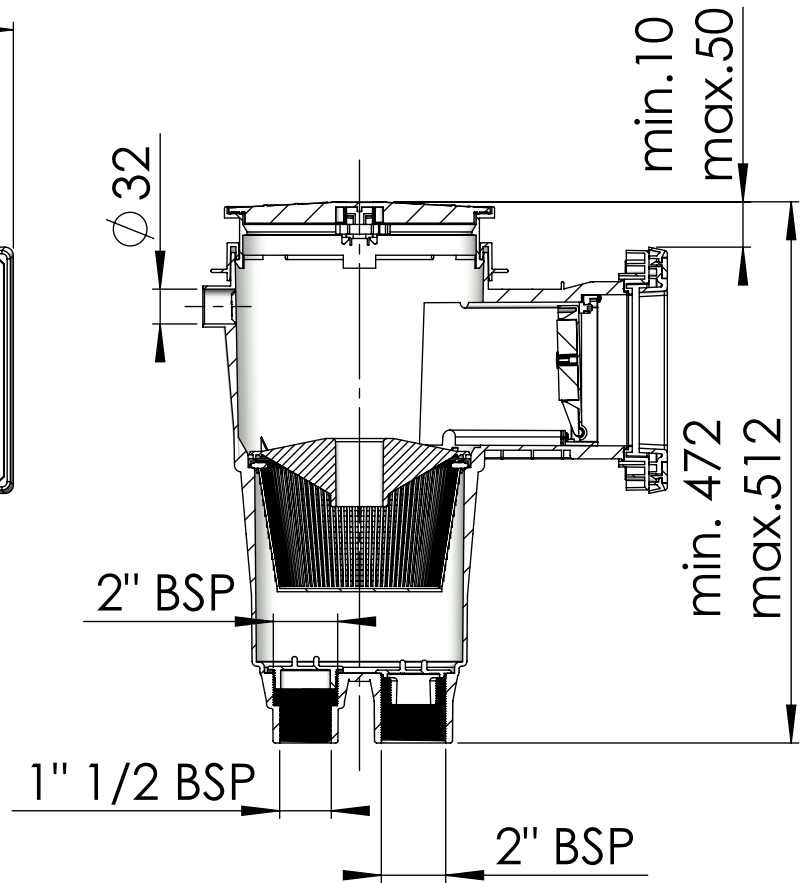
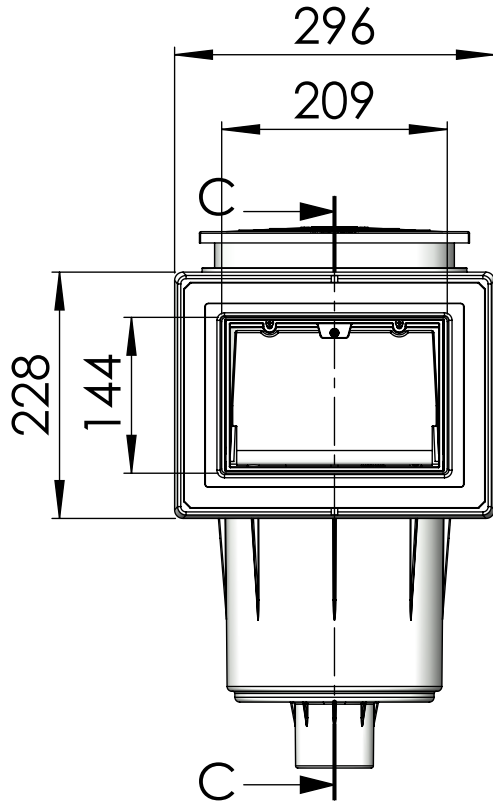


CODIGO / CODE: **11302**
DESCRIPCION: **SKIMMER 17,5L PF B.STD T.QUAD**
DESCRIPTION: **17.5L SKIMMER WITH STANDARD THROAT**



Nota: Unidades en mm
Note: Units in mm