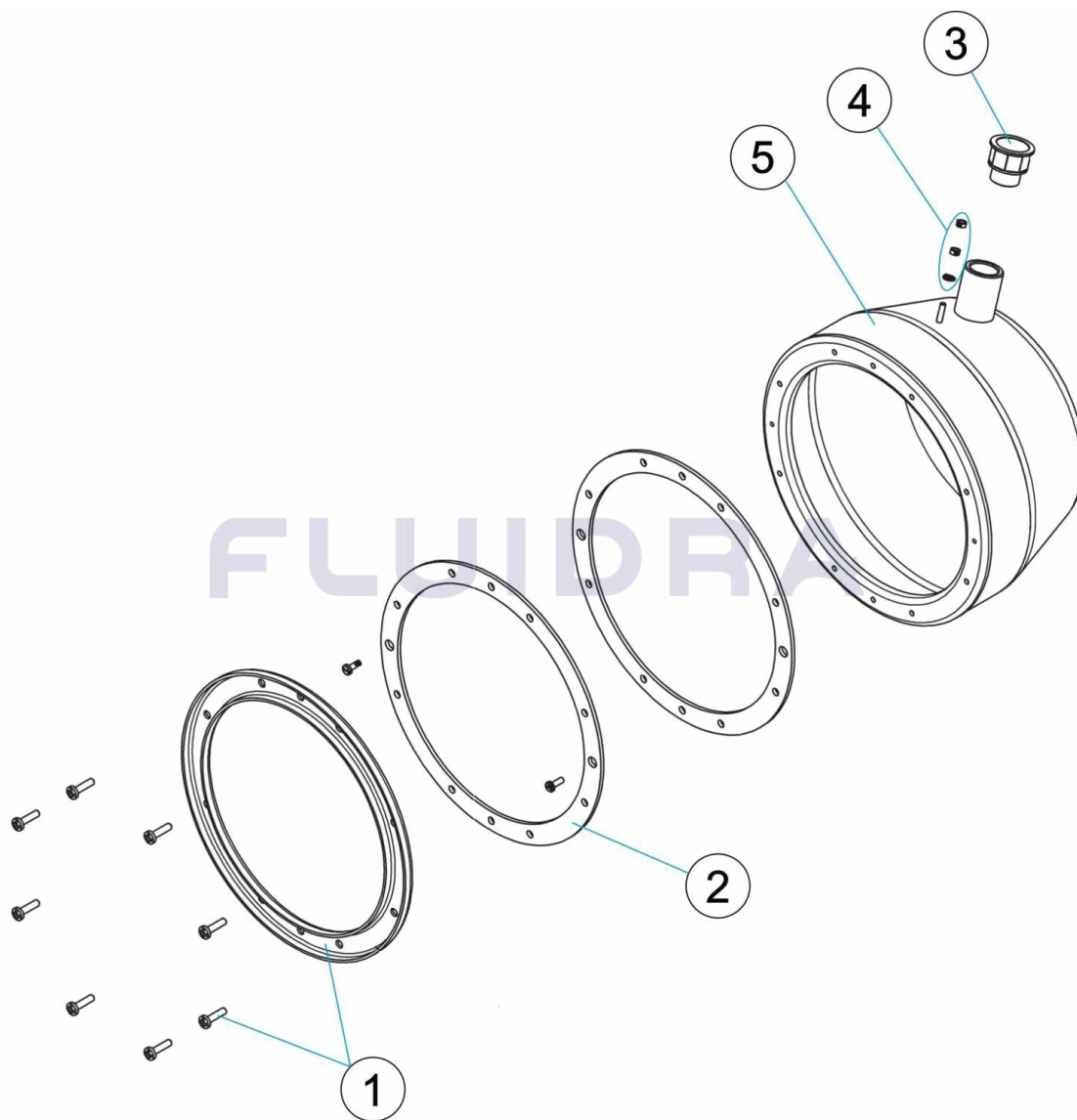


CODIGO **54102, 54103**

DESCRIPCION: **NICHO PISCINA LINER**



ESPAÑOL

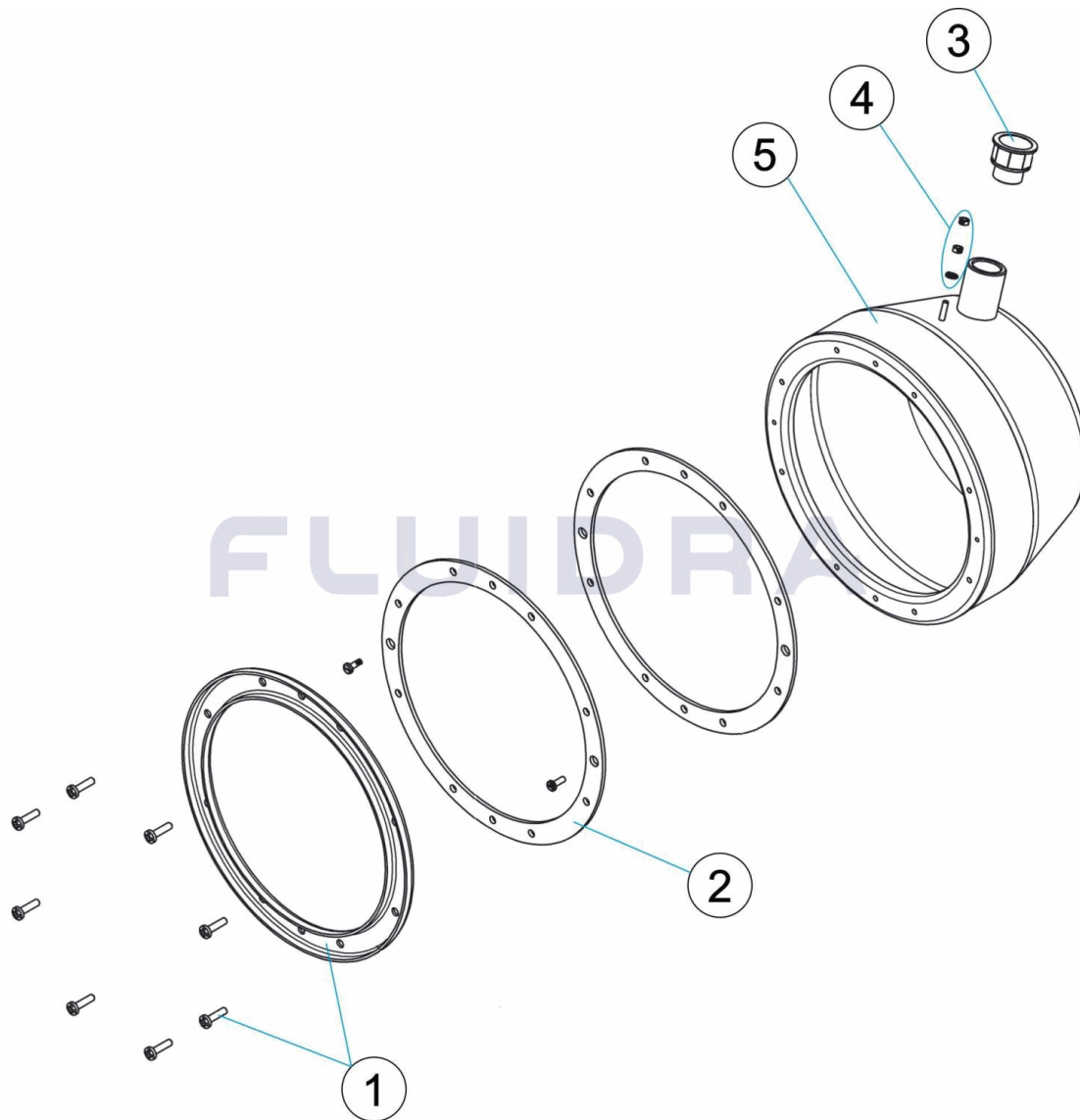
| POS | CODIGO | DESCRIPCION | POS | CODIGO | DESCRIPCION |
|-----|--------------|--------------------------------|-----|--------------|----------------|
| 1 | * 4402022102 | ARO BOQUILLA | 4 | 4403010113 | TOMA DE TIERRA |
| 2 | * 4402021503 | JUNTA PISCINA PREFABRICADA | 5 | * 00358R0100 | FONDO FOCO |
| 3 | 4403013707 | MANGUITO CONVERTIDOR M-25 PG16 | 5 | * 54102R0100 | FONDO FOCO |

CODIGO **54102, 54103**DESCRIPCION: **NICHO PISCINA LINER****OBSERVACIONES**

| POS | CODIGO | OBSERVACIONES |
|-----|------------|---------------|
| 1 | 4402022102 | PARA: 54103 |
| 2 | 4402021503 | PARA: 54103 |
| 5 | 00358R0100 | PARA: 54103 |

CODE **54102, 54103**

DESCRIPTION: **NICHE PISCINE LINER**



FRANCAIS

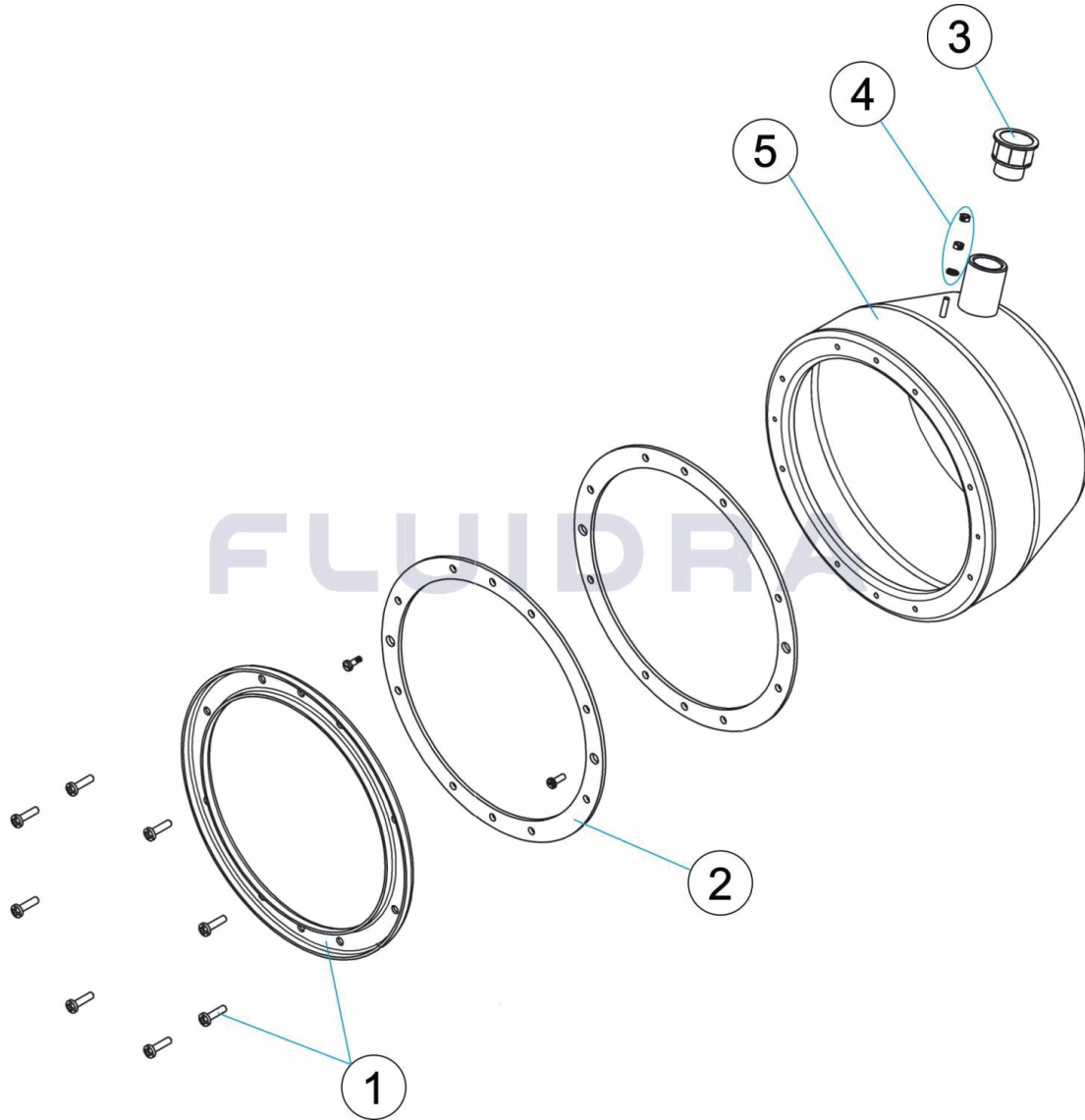
| POS | CODE | DESCRIPTION | POS | CODE | DESCRIPTION |
|-----|--------------|--------------------------------|-----|--------------|-----------------|
| 1 | * 4402022102 | BRIDE BOUCHE | 4 | 4403010113 | PRISE DE TERRE |
| 2 | * 4402021503 | JOINT PISCINE LINER | 5 | * 00358R0100 | FOND PROJECTEUR |
| 3 | 4403013707 | MANCHE CONVERTISSEUR M-25 PG16 | 5 | * 54102R0100 | FOND PROJECTEUR |

CODE **54102, 54103**DESCRIPTION: **NICHE PISCINE LINER****OBSERVATIONS**

| POS | CODE | OBSERVATIONS |
|-----|------------|--------------|
| 1 | 4402022102 | POUR: 54103 |
| 2 | 4402021503 | POUR: 54103 |
| 5 | 00358R0100 | POUR: 54103 |

CODE **54102, 54103**

DESCRIPTION: **LINER POOL NICHE**



ENGLISH

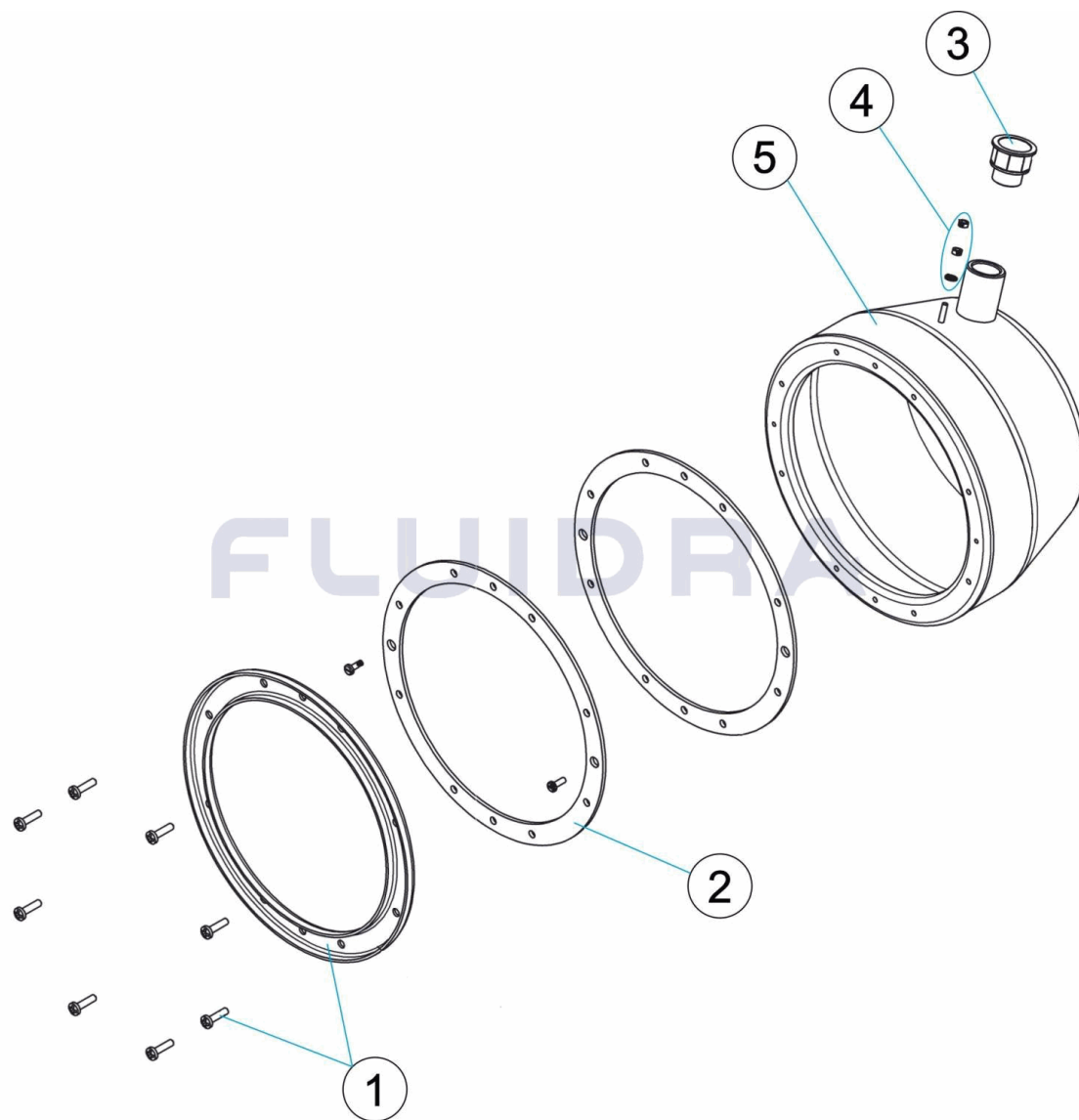
| POS | CODE | DESCRIPTION | POS | CODE | DESCRIPTION |
|-----|--------------|--------------------------|-----|--------------|------------------|
| 1 | * 4402022102 | INLET RIM | 4 | 4403010113 | EARTH CONNECTION |
| 2 | * 4402021503 | LINER POOL GASKET | 5 | * 00358R0100 | DEEP END LIGHT |
| 3 | 4403013707 | SOCKET ADAPTOR M-25 PG16 | 5 | * 54102R0100 | DEEP END LIGHT |

CODE **54102, 54103**DESCRIPTION: **LINER POOL NICHE****OBSERVATIONS**

| POS | CODE | OBSERVATIONS |
|-----|------------|--------------|
| 1 | 4402022102 | FOR: 54103 |
| 2 | 4402021503 | FOR: 54103 |
| 5 | 00358R0100 | FOR: 54103 |

CODICE **54102, 54103**

DESCRIZIONE: **NICCHIA PISCINA LINER**



ITALIANO

| POS | CODICE | DESCRIZIONE | POS | CODICE | DESCRIZIONE |
|-----|--------------|---------------------------------|-----|--------------|---------------|
| 1 | * 4402022102 | ANELLO BOCCHETTA | 4 | 4403010113 | PRESA A TERRA |
| 2 | * 4402021503 | GUARNIZIONE PISCINA PREF | 5 | * 00358R0100 | FONDO FUOCO |
| 3 | 4403013707 | MANICOTTO CONVERSIONE M-25 PG16 | 5 | * 54102R0100 | FONDO FUOCO |

CODICE **54102, 54103**

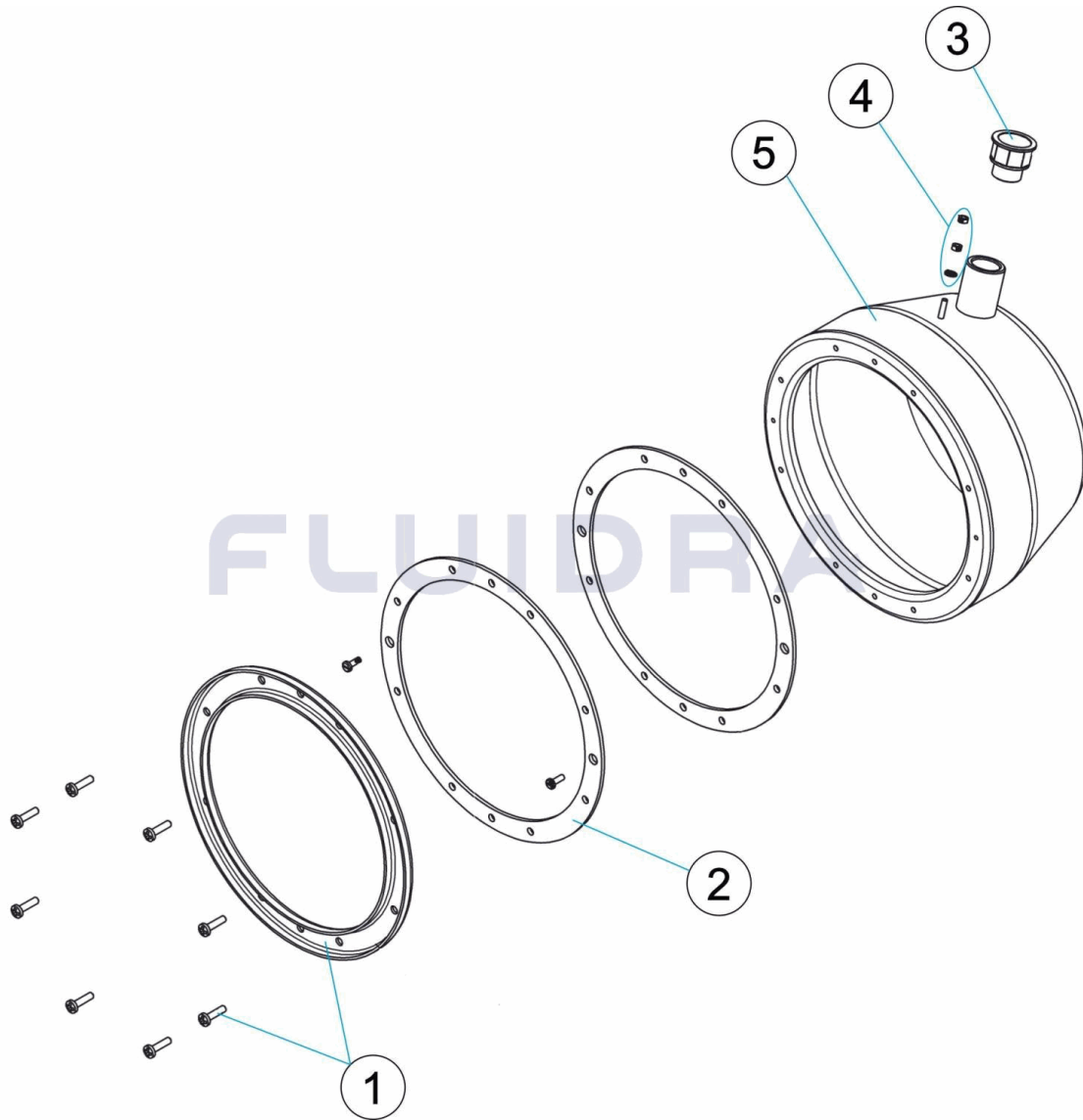
DESCRIZIONE: NICCHIA PISCINA LINER

OSSERVAZIONI

| POS | CODICE | OSSERVAZIONI |
|-----|------------|--------------|
| 1 | 4402022102 | PER: 54103 |
| 2 | 4402021503 | PER: 54103 |
| 5 | 00358R0100 | PER: 54103 |

CODE **54102, 54103**

BESCHREIBUNG: **EINBAUTOPF LINER SCHWIMMBAD**



DEUTSCH

| POS | CODE | BESCHREIBUNG | POS | CODE | BESCHREIBUNG |
|-----|--------------|-----------------------|-----|--------------|--------------|
| 1 | * 4402022102 | RING DÜSE | 4 | 4403010113 | ERDUNG |
| 2 | * 4402021503 | DICHTUNG FERTIGBECKEN | 5 | * 00358R0100 | BASIS UWS |
| 3 | 4403013707 | NIPPEL M-25 PG16 | 5 | * 54102R0100 | BASIS UWS |

CODE **54102, 54103**

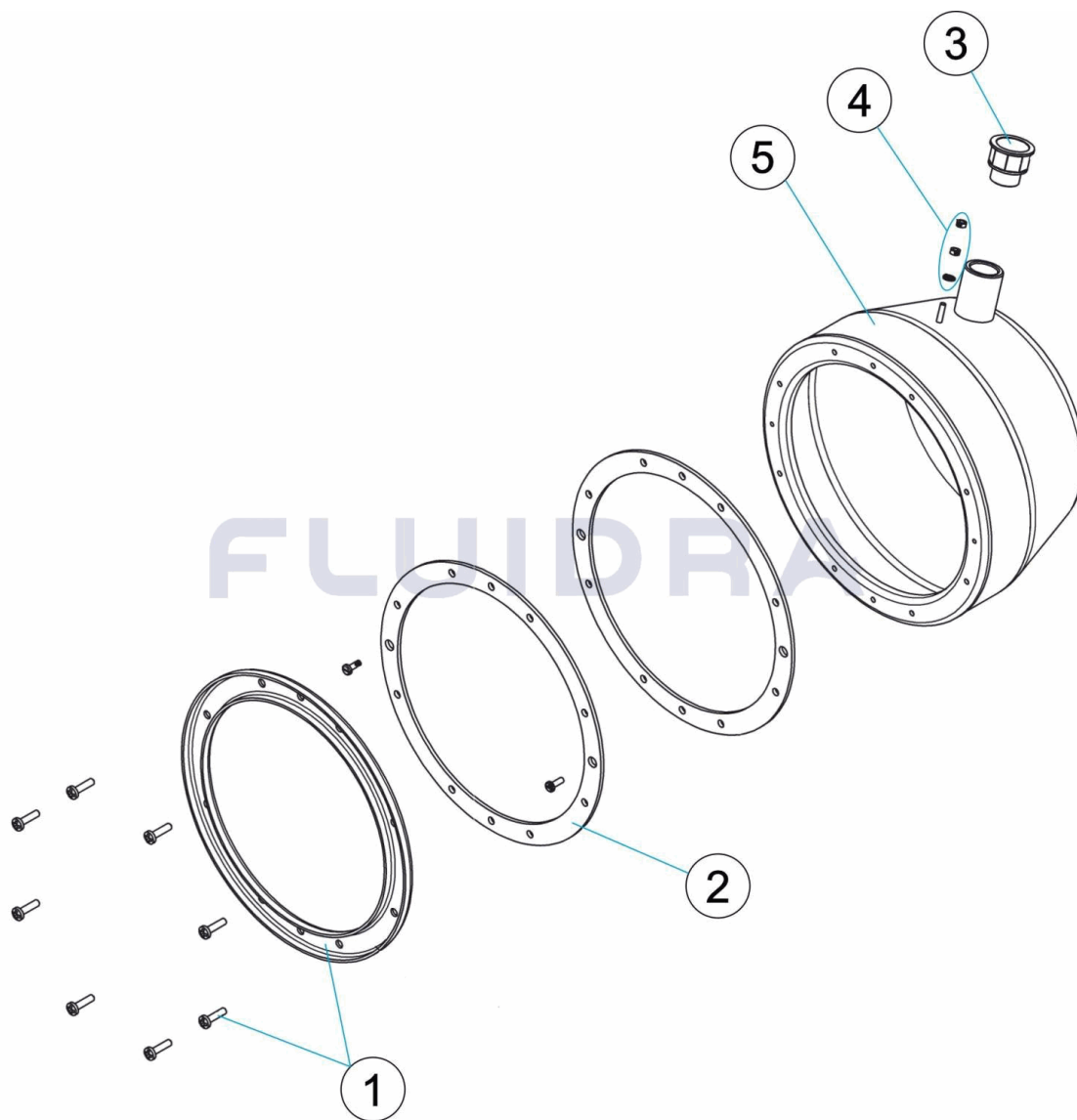
BESCHREIBUNG: **EINBAUTOPF LINER SCHWIMMBAD**

HINWEISE

| POS | CODE | HINWEISE |
|-----|------------|------------|
| 1 | 4402022102 | FÜR: 54103 |
| 2 | 4402021503 | FÜR: 54103 |
| 5 | 00358R0100 | FÜR: 54103 |

CODIGO **54102, 54103**

DESCRIÇÃO: **NICHO PISCINA LINER**



PORTUGUES

| POS | CODIGO | DESCRIÇÃO | POS | CODIGO | DESCRIÇÃO |
|-----|--------------|----------------------------------|-----|--------------|-----------------|
| 1 | * 4402022102 | ARO BOCA GRELHA PLÁSTICO | 4 | 4403010113 | LIGAÇÃO A TERRA |
| 2 | * 4402021503 | JUNTA RALO PISCINA PRÉ-FABRICADA | 5 | * 00358R0100 | FOCO DE FUNDO |
| 3 | 4403013707 | MANGUITO CONVERSOR M-25 PG16 | 5 | * 54102R0100 | FOCO DE FUNDO |

CODIGO **54102, 54103**DESCRIÇÃO: **NICHO PISCINA LINER****OBSERVAÇÕES**

| POS | CODIGO | OBSERVAÇÕES |
|-----|------------|-------------|
| 1 | 4402022102 | PARA: 54103 |
| 2 | 4402021503 | PARA: 54103 |
| 5 | 00358R0100 | PARA: 54103 |