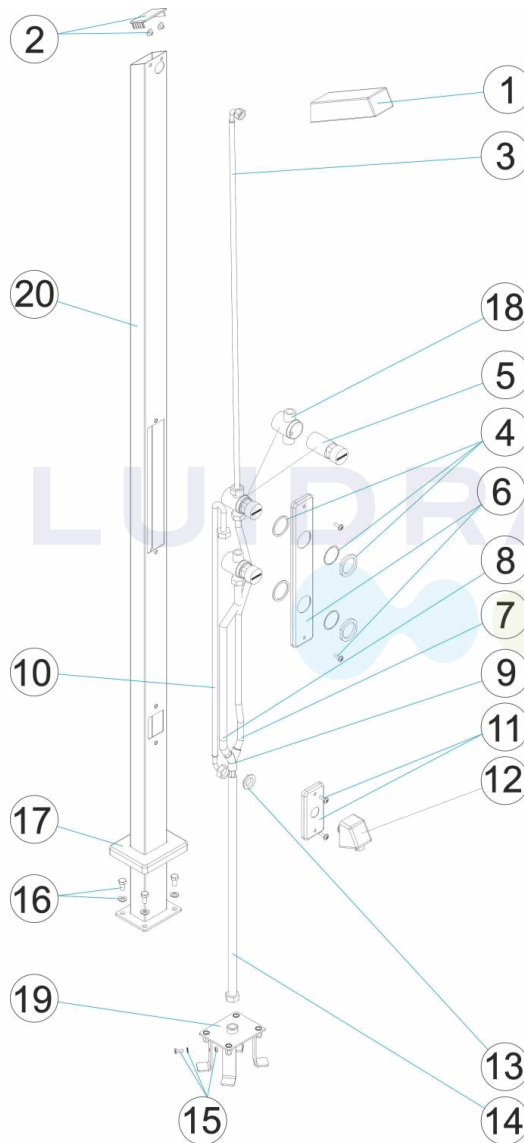


CODIGO **59777**

DESCRIPCION: **DUCHA 1 ROCIADOR 2 PULSADORES TEMPORIZ. 1 LAVAPIES**

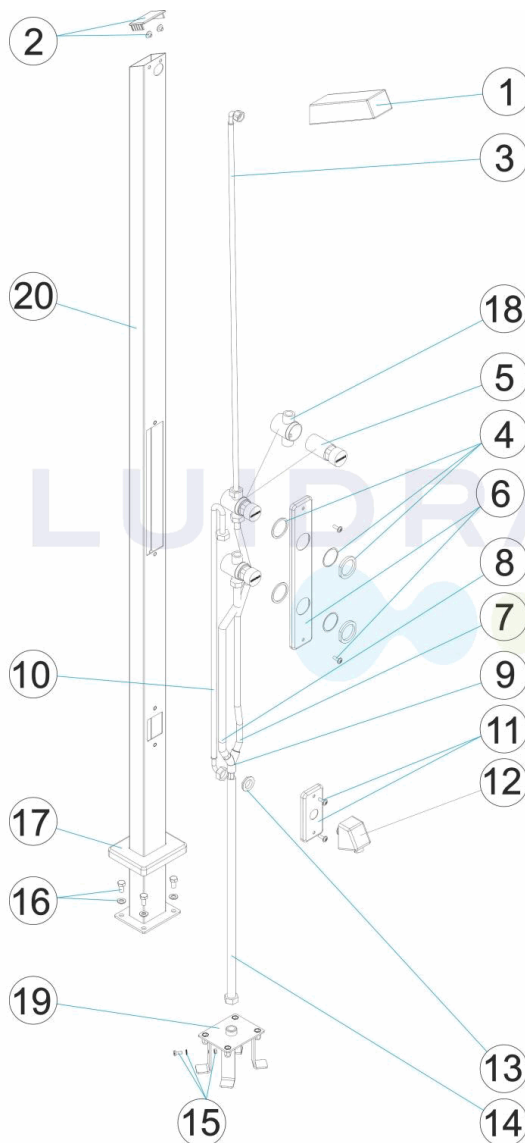


**ESPAÑOL**

POS	CODIGO	DESCRIPCION	POS	CODIGO	DESCRIPCION
1	4401040235	ROCIADOR ABS CROMADO	11	4401040250	FRONTAL LAVAPIES
2	4401040236	TAPON DUCHA	12	4401040251	GRIFO LAVAPIES
3	4401040248	LATIGUILLO 3/8" H - 1/2" H L=875"	13	4401040252	TUERCA HEXAGONAL 1/2" LATO "
4	4401040238	CJTO. FIJACION CUERPO PULSADOR	14	4401040253	LATIGUILLO 1/2" H - M10 M L=510"
5	4401040239	PULSADOR TEMPORIZADOR	15	4402010056	TOMA TIERRA
6	4401040249	EMBELLECEDOR DOBLE PULSADOR	16	4401041307	TORNILLERIA ANCLAJE DUCHA
7	4401040146	LATIGUILLO 1/2" HEMBRA +M10 MACHO L=550 M "	17	4401040242	TAPETA EMBELLECEDORA
8	4401040097	LATIGUILLO 1/2" H LOCA M-10 M. L=400"	18	4401040244	CUERPO PULSADOR
9	4401043615	CONEXIÓN "Y" M-10 HEMBR "	19	59776R0200	ANCLAJE DUCHA
10	4401040054	FLEXO SUPERIOR	20	59777R0100	CUERPO DUCHA

CODE 59777

DESCRIPTION: DOUCHE 1 POMMEAU 2 BOUTON TEMPORISÉ ET 1 LAVE-PIEDS

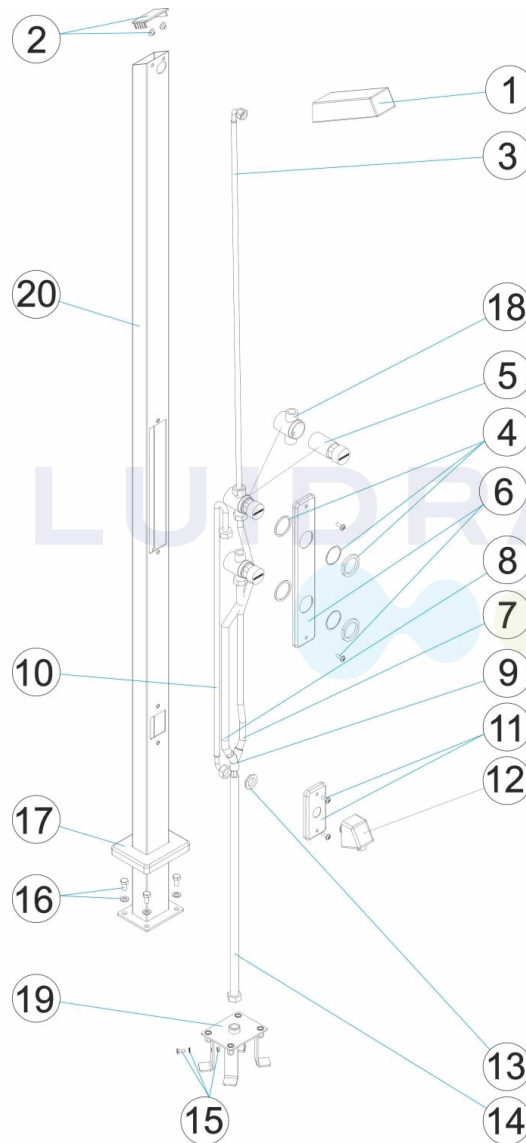


FRANCAIS

POS	CODE	DESCRIPTION	POS	CODE	DESCRIPTION
1	4401040235	POMME DE DOUCHE ABS	11	4401040250	PLAQUE FRONTALE LAVE-PIEDS
2	4401040236	BOUCHON DOUCHE	12	4401040251	ROBINET RINCE PIEDS
3	4401040248	TUYAU 3/8" H - 1/2" H L=875"	13	4401040252	ÉCROU HEXAGONAL 1/2' LAITON
4	4401040238	ENSEMBLE FIXATION CORPS BOUTON-POUSSOIR	14	4401040253	TUYAU 1/2" H - M10 M L=510"
5	4401040239	BOUTON POUSSOIR TEMPORISATEUR	15	4402010056	PRISE DE TERRE
6	4401040249	ENJOLIVEUR DEUX BOUTONS	16	4401041307	VISSERIE ANCRAGE DOUCHE
7	4401040146	TUYAU 1/2" FEMELLE + M-10 MÂLE L=550 M "	17	4401040242	ENJOLIVEUR
8	4401040097	FLEXIBLE 1/2" H LOCA M-10 M. L=400"	18	4401040244	CORPS BOUTON-POUSSOIR
9	4401043615	RACCORD "Y" M-10 FEMELL "	19	59776R0200	ANCRAGE DOUCHE
10	4401040054	FLEXIBLE	20	59777R0100	CORPS DOUCHE

CODE **59777**

DESCRIPTION: **SHOWER 1 SPRINKLER 2 TIMING SWITCH AND 1 FOOT WASH**

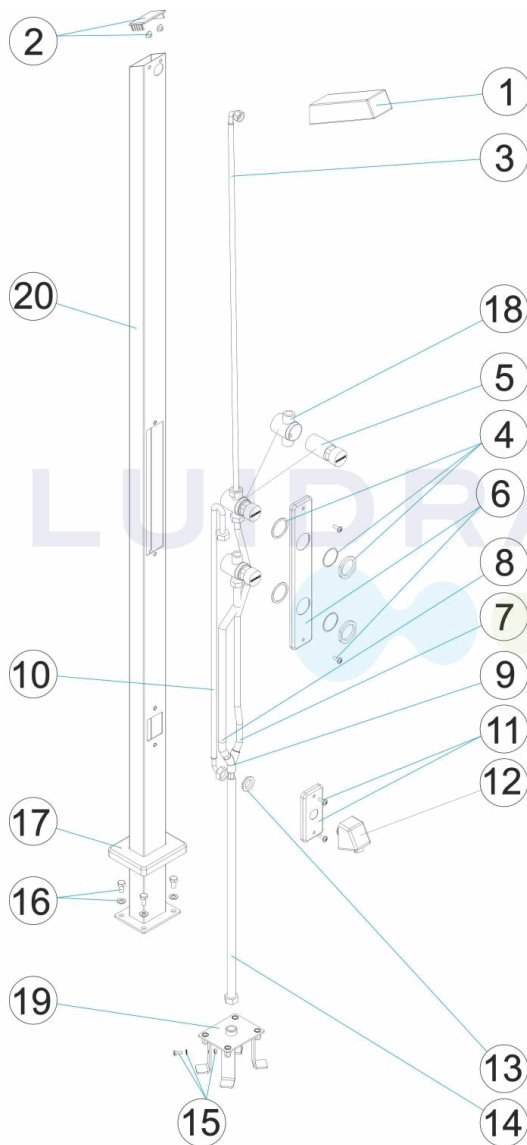


**ENGLISH**

POS	CODE	DESCRIPTION	POS	CODE	DESCRIPTION
1	4401040235	SPRINKLER ABS	11	4401040250	FRONT FACE PLATE FOOT WASH
2	4401040236	SHOWER CAP	12	4401040251	FOOTBATH TAP
3	4401040248	3/8" H - 1/2" H L=875 FLEX "	13	4401040252	HEXAGONAL NUT 1/2" BRAS "
4	4401040238	BUTTON BODY FIXING SET	14	4401040253	1/2" H - M10 M L-510 FLEX "
5	4401040239	TIMING SWITCH	15	4402010056	EARTH CONNECTION
6	4401040249	TRIM DOUBLE SWITCH	16	4401041307	SHOWER ANCHOR BOLTS
7	4401040146	FLEXIBLE HOSE 1/2" FEMALE + M-10 MALE L=550 M	17	4401040242	ESCUTCHEON
8	4401040097	1/2" H LOCA M-10 M. L=400 CABL "	18	4401040244	SWITCH BODY
9	4401043615	Y" CONNECTOR M-10 FEMAL "	19	59776R0200	SHOWER ANCHOR
10	4401040054	BRAIDED HOSE	20	59777R0100	SHOWER UNIT

CODICE **59777**

DESCRIZIONE: **DOCCIA 1 SOFFIONE 2 PULSANTE TEMPORIZZATO E 1 LAVAPIEDI**

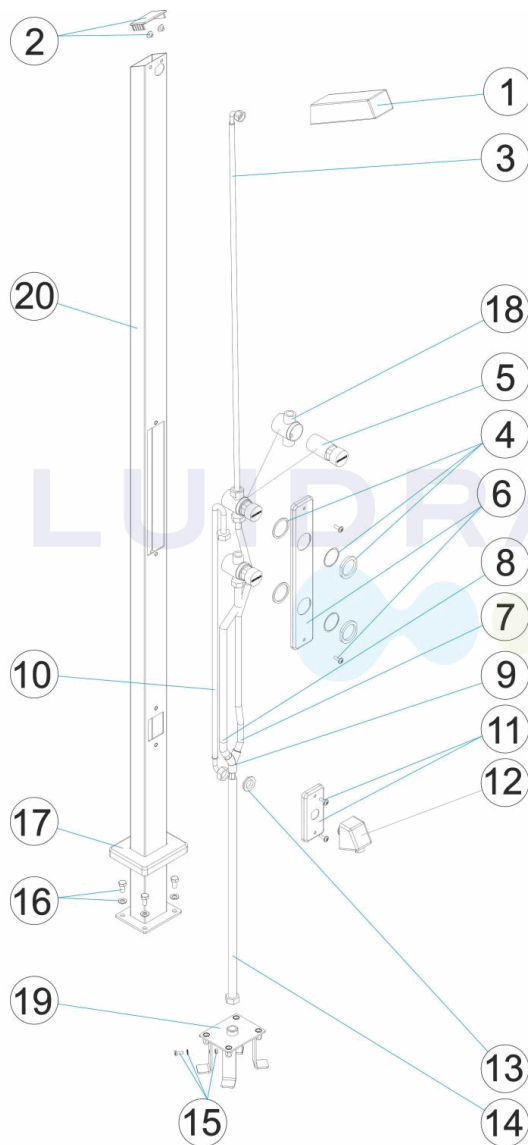


**ITALIANO**

POS	CODICE	DESCRIZIONE	POS	CODICE	DESCRIZIONE
1	4401040235	SPRUZZATORE ABS	11	4401040250	FRONTALE LAVAPIEDI
2	4401040236	TAPPO DOCCIA	12	4401040251	RUBINETTO LAVAPIEDI
3	4401040248	SPINOTTO 3/8" H - 1/2" H L=875"	13	4401040252	DADO ESAGONALE 1/2" OTTON "
4	4401040238	SET FISSAGGIO CORPO PULSANTE	14	4401040253	SPINOTTO 1/2" H - M10 M L=510"
5	4401040239	PULSANTE TEMPORIZZATO	15	4402010056	PRESA A TERRA
6	4401040249	PLACCA DOPPIO PULSANTE	16	4401041307	BULLONERIA ANCORAGGIO DOCCIA
7	4401040146	SPINOTTO 1/2" FEMMINA + M-10 MASCHIO L=550 M	17	4401040242	COPRIFLANGIA ANCORAGGIO
8	4401040097	CAVETTO 1/2" H LOCA M-10 M. L=400"	18	4401040244	CORPO PULSANTE PULSANTE
9	4401043615	CONNESSIONE "Y" M-10 FEMMIN "	19	59776R0200	ANCORAGGIO DOCCIA
10	4401040054	FLESSIBILE	20	59777R0100	CORPO DOCCIA

CODE 59777

BESCHREIBUNG: DUSCHE 1 DUSCHKOPF 2 REGELDRUCKKNÖPFE 1 FUSSDUSCHE

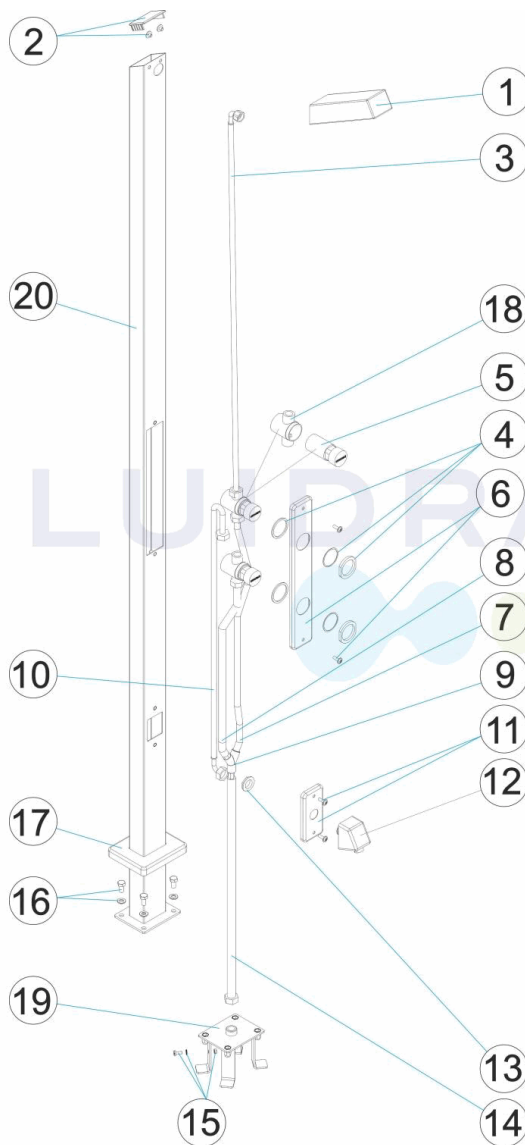


DEUTSCH

POS	CODE	BESCHREIBUNG	POS	CODE	BESCHREIBUNG
1	4401040235	DUSCHKOPF ABS VERCHROMT	11	4401040250	FRONTSEITE FUSSDUSCHE
2	4401040236	STOPFEN DUSCHE	12	4401040251	WASSERHAHN FUSSDUSCHE
3	4401040248	SCHLAUCHLEITUNG 3/8" MUFFE - 1/2" MUFFE L=87	13	4401040252	SECHSKANTMUTTER 1/2" BLEC "
4	4401040238	FIXIERSET DRUCKTASTERGEHÄUSE	14	4401040253	SCHLAUCHLEITUNG 1/2" MUFFE - M-10 NIPPEL L -
5	4401040239	REGLERKNOPF	15	4402010056	ERDUNG
6	4401040249	BLLENDE DOPPELT DRUCKTASTER	16	4401041307	SCHRAUBENSATZ DUSCHVERANKERUNG
7	4401040146	SCHLAUCHLEITUNG 1/2" MUFFE UND M10 NIPPEL L	17	4401040242	DEKO-ABSCHLUSSRING
8	4401040097	SCHLAUCHLEITUNG 1/2" GEWINDEKÖRPER MUFFE	18	4401040244	GEHÄUSE DRUCKTASTER
9	4401043615	ANSCHLUSSMUFFE "Y" M-10"	19	59776R0200	DUSCHVERANKERUNG
10	4401040054	FLEXSCHLAUCH OBEN	20	59777R0100	DUSCHEINHEIT

CODIGO **59777**

DESCRIÇÃO: **DUCHE 1 DIFUSOR 2 BOTÃO TEMPORIZADO E 1 LAVA-PÉS**



**PORTUGUES**

POS	CODIGO	DESCRIÇÃO	POS	CODIGO	DESCRIÇÃO
1	4401040235	DIFUSOR ABS	11	4401040250	FRONTAL LAVA-PÉS
2	4401040236	TAMPAO DUCHE	12	4401040251	TORNEIRA LAVA-PÉS
3	4401040248	MANGA 3/8" H - 1/2" H L=875"	13	4401040252	PORCA HEXAGONAL 1/2" LATÃ "
4	4401040238	CJTO. FIXAÇÃO CORPO BOTÃO	14	4401040253	MANGA 1/2" H - M10 M L-510"
5	4401040239	BOTÃO TEMPORIZADO	15	4402010056	LIGAÇÃO A TERRA
6	4401040249	PLACA DECORATIVA BOTÃO DUPLO	16	4401041307	PARAFUSOS ANCORAGEM CHUVEIRO
7	4401040146	MANGA 1/2" FÊMEA + M-10 MACHO L=550 M "	17	4401040242	ESPELHO
8	4401040097	MANGA 1/2" H LOCA M-10 M. L=400"	18	4401040244	CORPO BOTÃO
9	4401043615	LIGAÇÃO "Y" M-10 FÊME "	19	59776R0200	ÂNCORA PARA CHUVEIRO
10	4401040054	FLEXO	20	59777R0100	CORPO DE CHUVEIRO